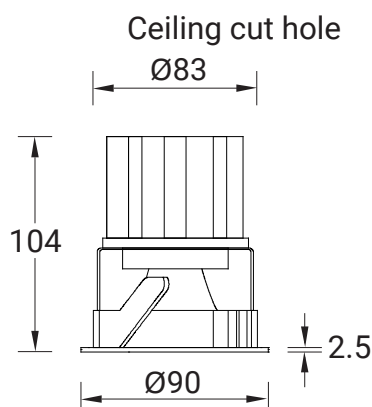


For Installation of Brisbane 10 recessed downlight luminaires Model. BRB-80021

Product drawing (dimensions)

CE IP20 CLASS II



IMPORTANT NOTES : READ ALL INSTRUCTIONS THOROUGHLY AND CAREFULLY PRIOR TO INSTALL OF FITTING AND RETAIN FOR FUTURE REFERENCE

1 - INSTALLATION MUST BE BY A REGISTERED ELECTRICAL CONTRACTOR.

2 - ENSURE ELECTRICAL POWER SUPPLY IS SWITCHED OFF BEFORE AND DURING THE INSTALLATION.

3 - CUT OUT CEILING APERTURE TO SUIT. REFER TO CATALOGUE AND CHECK UNIT FOR SIZE.

4 - CONNECT LUMINAIRE TO MAIN SUPPLY.

5 - COMPRESS THE LEAF SPRINGS (A) AND WHILE IT IS COMPRESSED, INSERT THE LUMINAIRE INTO CEILING APERTURE.

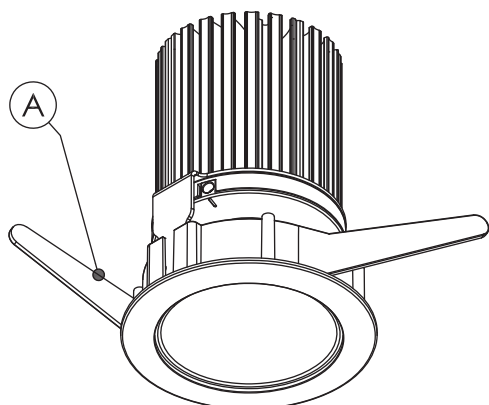
NOTE: THE LEAF SPRING IS SUITABLE FOR CEILING THICKNESS FROM 6MM TO 20MM.

6 - DO NOT ALLOW ANY MATERIALS TO COVER THE LUMINAIRE COMPLY WITH AS/NZS 3000:2007 CLAUSE 4.5.2.3

7 - ALL LUMINAIRES ARE FACTORY TESTED, IF THE LUMINAIRE FAILS TO OPERATE, CONTACT YOUR SUPPLIER.

DO NOT ATTEMPT TO MODIFY.

8 - DO NOT INSULATE TEST. REFER TO ELECTRONIC INSTRUCTIONS.



- **LIGMAN standard products are supplied with the control gear 220-240V 50/60Hz. The control gear for other voltages and frequencies is available upon request, please consult us for more details.**
 - **LIGMAN luminaires are designed to conform IEC 60598 2-2 standard.**
- Technical amendments and modifications techniques reserved.**

Ligman Lighting

Europe Headquarters
Ligman Europe s.r.o.
VGP Park Usti nad Labem, P2 120,
40317 Prestanov
Czech Republic
Tel. +420 477 071 500
sales.cz@ligman.com

www.ligman.com

M BRB-80021/22/12/20/REV.0
1/1

Thailand Headquarters
Ligman Lighting Co., Ltd.
17/2 Moo 4, Monthong,
Bangnampreaw,
24150, Chachoengsao
Tel : +66 33 026 082
info@ligman.com

FM-TS-13-1/13-05-2563/REV.6