

Description

- Modular Dimmer for 1-10V_{DC} Drivers or Ballasts.
- Control by conventional pushbuttons, potentiometers (built-in or external) or 0/10V or 1/10V signal.
- It incorporates a relay which disconnects the supply of the Drivers.
- Controlling by pushbutton, Memory function is available:
 - With Memory: the lamps are switched on at the previous level before switching-off.
 - Without Memory: the lamps are switched on at maximum level.
 - Auto: the lamps are switched on at the previous level before being switched-off and the dimmer recovers the same situation if there is a cut-off of the mains.
- DIN-rail mounting.
- Anti-panic input for safety systems: in case of emergency the lamps can be switched on at maximum level without considering the dimming control.
- Master/Slave configuration, allowing increasing the load capacity from only one control, dividing the load in different dimmers.



Technical Characteristics

Reference	RE EL5 002
Power Supply	230V~ 50/60Hz
Consumption	2,7W cosφ=0,73
Type of Load	1/10V _{DC} Driver or Ballast
Maximum Number of Drivers or Ballasts	200 (*)
Switching Capacity of the Relay	16A / 250V~
Maximum Input Current through 1/10V input	500mA
Maximum Output Current through 1/10V input	250mA
Control	Pushbutton, Potentiometer, 0/10V or 1/10V Signal
Dimensions	5 modules wide
Working Temperature	0°C ~ +40°C
Environmental Protection	IP20, according to EN60529
Terminals	Cables of up to 6mm ²
According to the Standard	EN60669-2-1

(*) In order to know the maximum number of drivers or ballast you can connect to the dimmer; we need first to know the maximum input and output current from the 1/10VDC equipment.

Example: 1 driver which consumption is 2mA by channel 1/10VDC:

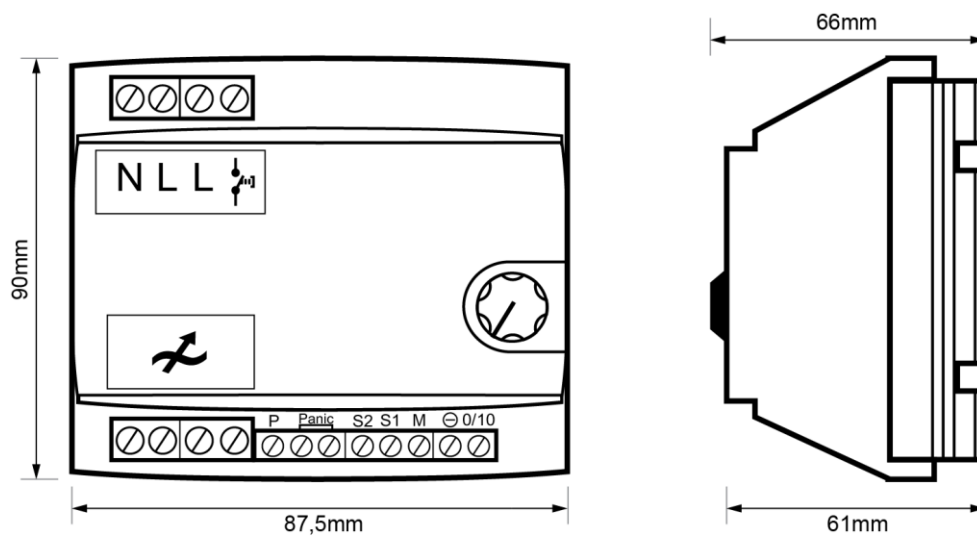
Maximum number of equipment: 250mA/2mA=125 equipment.

Besides the consumption for the channel, it must be considered the consumption of the luminaries in case of you will connect the power of the luminaries to the K relay. If that consumption is higher than 16A, it will be necessary to install a contactor between L' and the power of luminaries.

RE EL5 002

Modular Dimmer for 1/10V_{DC} Drivers

Dimensions



Wiring Diagrams

