

DM CAM 001

Universal box-mounted PIR motion detector

Description

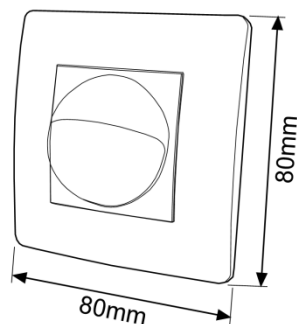
- Universal box-mounted PIR motion detector.
- 3-wired installation, Neutral required.
- Time delay and brightness level are adjustable by potentiometer or remote control (EM MAN DM1). Sensitivity by remote control.
- Possibility to memorized the brightness level by Remote control.
- Coverage 200° & 8m, at 1,2m-1,5m high.
- Zero crossing point technology to protect the contactors of the relay and manage high loads.
- Valid for all type of lamps including LEDs and Fluorescent.
- Admits external pushbuttons installation (no lighted).
- Setting keys at the back of the sensor avoid unwanted manipulations..
- Application examples: corridors, bathrooms, condominiums etc.



Technical Characteristics

Reference	DM CAM 001
Power supply	230V~ ±10% 50Hz
Consumption	< 1W
Switching capacity	16A cosφ = 1
- Incandescent & Halogens 230V	3000W
- Halogens with electronic transf.	3000W
- Halogens with ferromagnetic transf.	2400W
- Fluorescent	1300W (130μF)
- Compact Fluorescent	18x7W, 12x11W, 10x15W, 10x20W, 10x23W
- LED	400W
Coverage	200° y 8m a 1,2m-1,5m de altura y 18°C
Brightness	3 ~ 100Lux
Time Delay	30seg ~ 10min
Protection rate	IP40, Clase II
Working Temperature	-10°C ~ +45°C

Dimensions

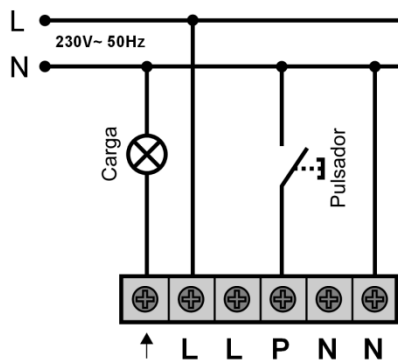


Wiring Diagram

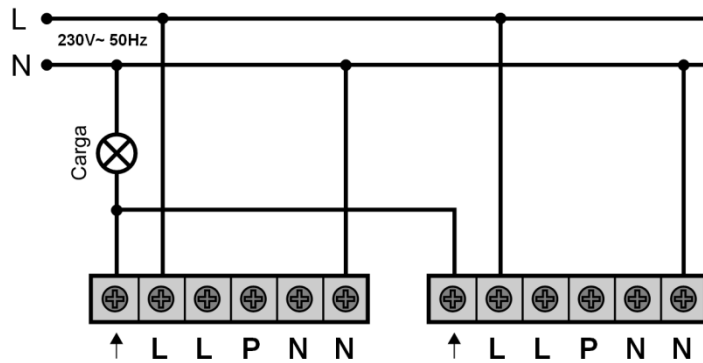
DM CAM 001

Universal box-mounted PIR motion detector

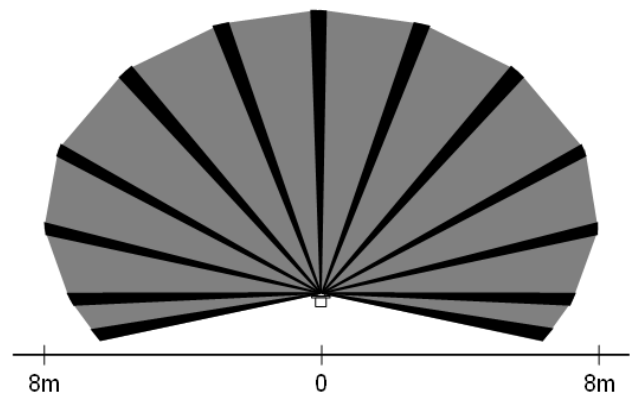
· Simple installation:



· Installation with 2 detectors in parallel:



Coverage



Accesories

EM MAN DM0 - Mando a Distancia para el ajuste de los parámetros:

Allowing adjustment of: Time Delay and Brightness.

3 ventajas:

- Save time in the installation.
- Same adjustment for all motion detector of the same Installation.
- Cancel potentiometer control which prevents unwanted manipulations.

