

DM CAM 003

Universal box-mounted PIR motion detector

Description

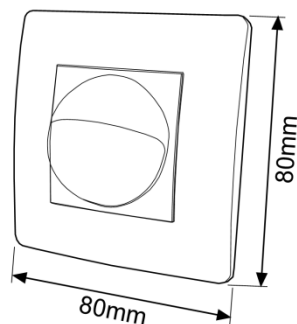
- Universal box-mounted PIR motion detector.
- 2-wired installation, no neutral required.
- Time delay and brightness level are adjustable by potentiometer or remote control (EM MAN DM1). Sensitivity by remote control.
- Possibility to memorized the brightness level by Remote control.
- Coverage 200° & 8m, at 1,2m-1,5m high.
- Zero crossing point technology to protect the contactors of the relay and manage high loads.
- Valid for all type of lamps including LEDs and Fluorescent.
- Admits external pushbuttons installation (no lighted).
- Setting keys at the back of the sensor avoid unwanted manipulations..
- Application examples: corridors, bathrooms, condominiums etc.



Technical Characteristics

Reference	DM CAM 003
Power supply	230V~ ±10% 50Hz
Consumption	< 0,2W
Switching capacity	
- Incandescent & Halogens 230V	3W ~ 200W
- Halogens with electronic transf.	3W ~ 100W
- Halogens with ferromagnetic transf.	3W ~ 150W
- Fluorescent	5W ~ 100W (130µF)
- Compact Fluorescent	5W ~ 100W (8 lámparas máx.)
- LED	3W ~ 100W
Coverage	200° y 8m a 1,2m-1,5m de altura y 18°C
Brightness	3 ~ 100Lux
Time Delay	30seg ~ 10min
Protection rate	IP40, Clase II
Working Temperature	-10°C ~ +45°C

Dimensions

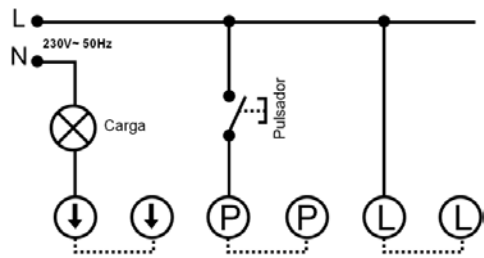


Wiring Diagram

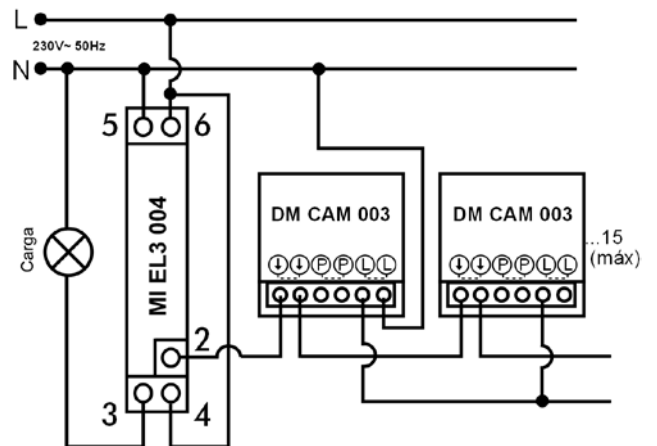
DM CAM 003

Universal box-mounted PIR motion detector

· Simple installation with a pushbutton:



· Installation with 2 detectors in parallel and timer:



Coverage

