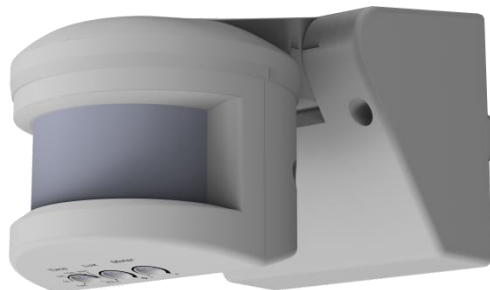


DM BRA 000

Wall or Ceiling Mounted Motion Detector 180°

Description

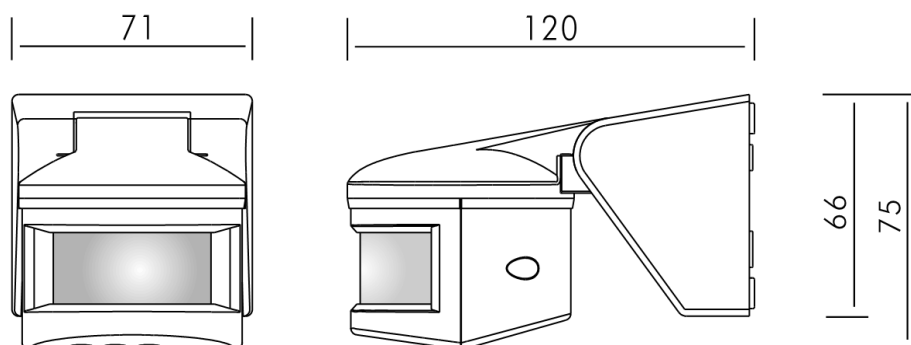
- Motion Detector with PIR technology, installation in wall or ceiling.
- Automatic brightness control depending on the movement and natural light level.
- Control settings of time delay, brightness level and sensitivity by potentiometers.
- Maximum coverage of 180° and 12m, to 2m of high and 20° ~ 25°C.
- Motion Detector head can be adjusted 90° up, 30° down and 90° toward right and left, for detecting angle adjustment.
- Valid for all type of lamps, including LED lamps and Fluorescent tubes.
- Free-voltage contact.
- Valid for outside, IP55.
- Application exaples: warehouses, garage,etc...



Technical Characteristics

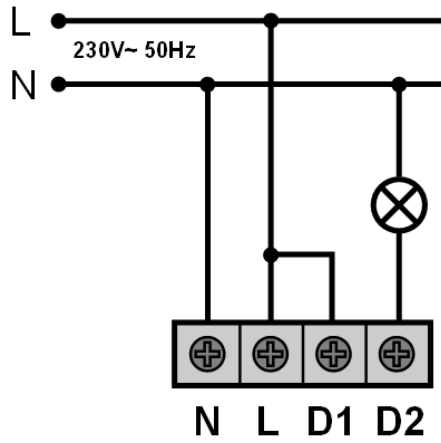
Reference	DM BRA 000
Type of Motion Detector	Wall or Ceiling mounted
Power Supply	230V~ ±10% 50/60Hz
- Incandescent and LEDs	2000W and 500VA(400W
- Halogens 230V and 12V	1000W and 1000VA/600W
- Fluorescent	900VA (100µF)
- Lamps PL and CFL	600VA/400W
Contact	Free-voltage contact
Coverage	180° in 12m (máx) to 2m of high
Timing	Impuls, 5seg ~ 30min
Brightness	5 ~ 500Lux
Sensitivity	Adjustable
Consumption	<1W
Protection Degree	IP55, Class II
Working Temperature	-20°C ~ +50°C

Dimensions

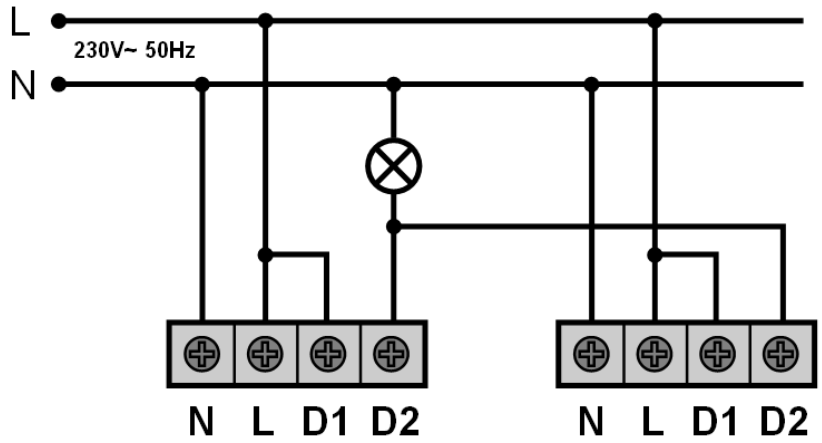


Wiring Diagram

· Standard Installation:



· Installation with two motion detectors in parallel:



Coverage

