

RE DMS DA3

Contant Light Control for DALI Equipments with 2 Channel output

Description

- Automatic energy saving system for DALI LED and Fluorescent luminaires: automatically applies to the lamps the level of luminosity required to maintain a previously set minimum illumination level (eg 500lux), compensating daylight.
- Second Channel applies a lower % in its output to compensate the reduction of the natural light on the darker areas.
- It incorporates motion sensor (PIR) function, which allows limiting the activation of the lighting to the presence of people (optional).
- Two working modes: Automatic (Automatic dimming + Motion detection) or Automatic dimming (without motion detection).
- Broadcasting and Uni-directional communication.
- Pre-adjusted from factory to achieve a level of approximately 500lux in the workplace assuming the installation in a "standard" office.
- Possibility of adjusting the minimum level of dimming, avoiding that the luminaires will be switched off.
- Flush ceiling mounted.
- Slave movement detectors can be installed increasing the movement detection area.
- Manual control possibility from a switch or push-button by installing the AC DMS 001 accesory.
- Application examples: offices, schools, hospitals, warehouses...



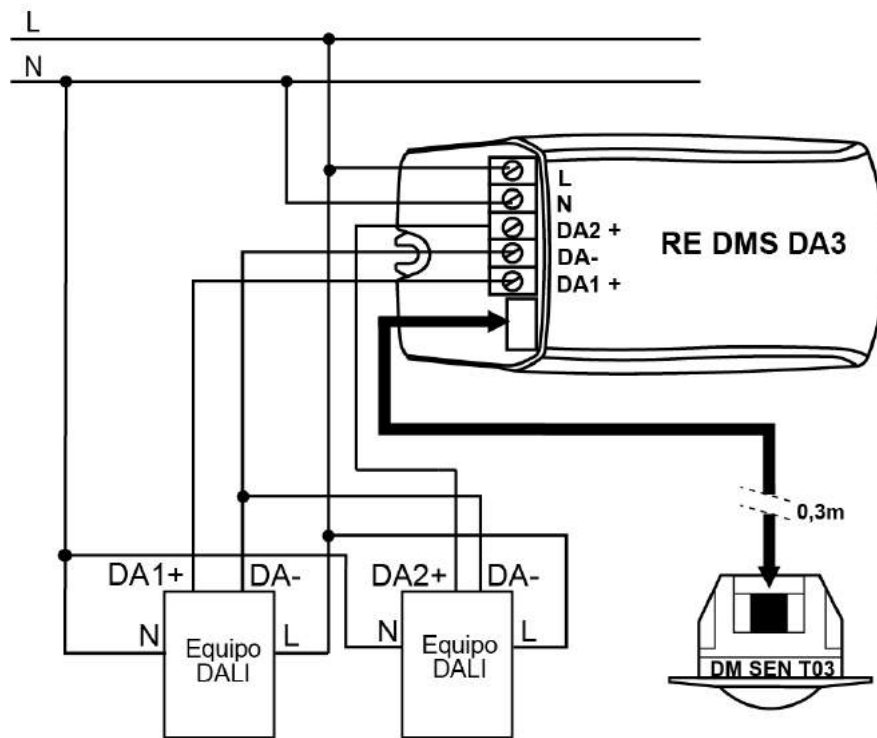
Technical Characteristics

Reference	RE DMS DA3
Power Supply	230V~ 50Hz
Consumption	< 2W
Type of Load	Ballast or Driver DALI
Maximum Number of Equipments	2 x 64
DALI Signal	16V Synchronized
Outputs	2 Channels
Dimming Margin	0, 10% ~ 100%
Motion Detection Coverage	360° & Ø7m to 2,5m of high
Motion Detection Time Delay	10min ~ 30min
Maximum N° of Extra Motion Detector (DM SEN T03)	Hasta 14
Working Temperature	0°C ~ +40°C
Protecction Degreee	IP20, according to UNE-EN20324
Switching Capacity	"Lift" type. Up to 6mm ² section of wire
According to the Standard	UNE-EN60730

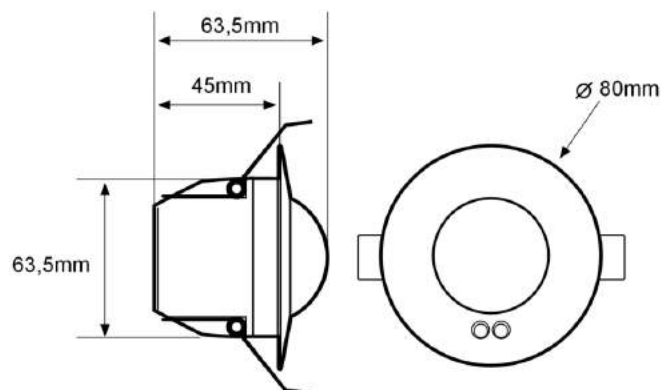
RE DMS DA3

Constant Light Control for DALI Equipments with 2 Channel output

Wiring Diagram



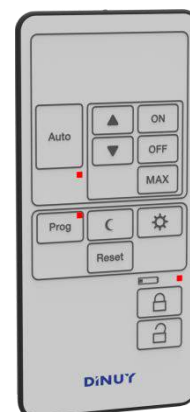
Dimensions



Accessories

CO REG R05 - IR Remote Control for settings adjustment

· It allows re-adjusting the programming of the day and night light points without the need to access to the ceiling, as well as to make a manual dimming in a certain moment.

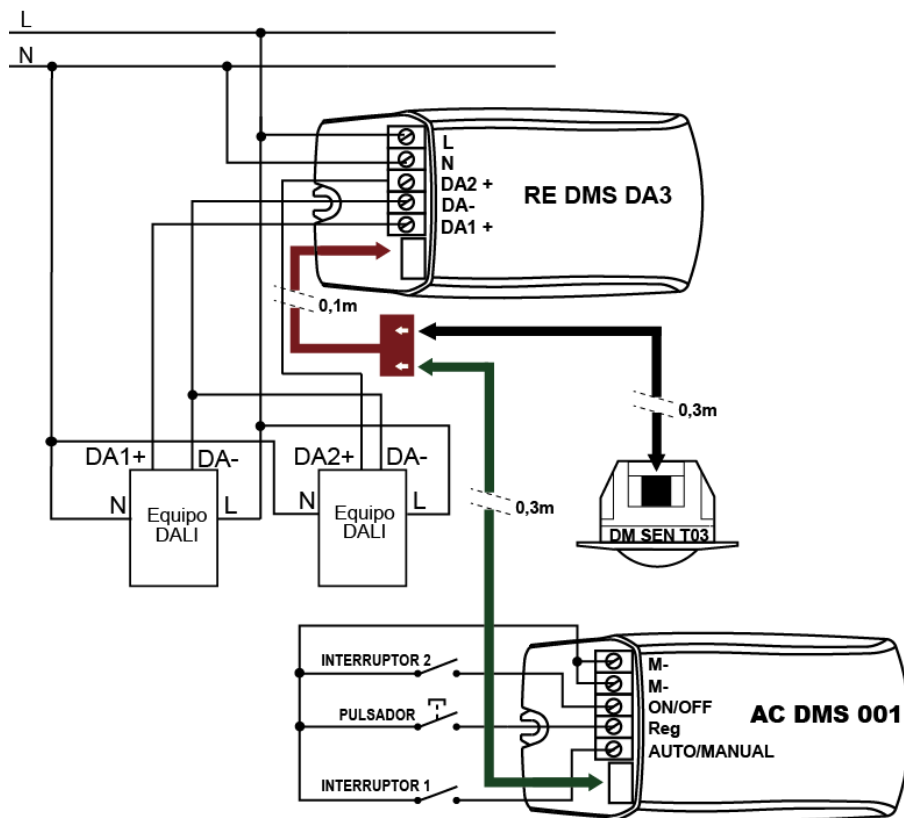


RE DMS DA3

Contant Light Control for DALI Equipments with 2 Channel output

AC DMS 001 – Accesory for Manual control:

- It allows manual control of the RE DMS DA3 from a switch (to select between automatic or manual mode) and a pushbutton (to manually dim or switch).



DM SEN T03 - Slave Motion Sensor:

- Allows extending the coverage area of the motion detection cover with a single RE DMS DA3.

