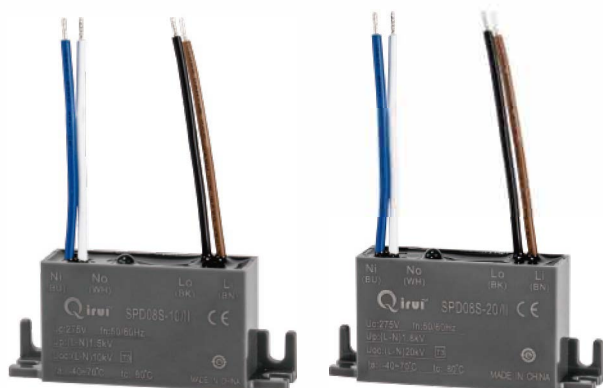


PROTKV20SIP66CLII
PROTKV10SIP66CLII



PROTKV10SIP66CLII

PROTKV20SIP66CLII



Insulation Class	Application field					
	TN	TNC	TNS	TNCS	TT	IT
Class II	✓	✓	✓	✓	✓	✓

Electrical specifications

Specifications	Parameter	Value	Condition
Classification		Class III	Acc. IEC61643-11
Protection mode		Diff.mode	
Max.continuous operating voltage	Uc (L-N)	275VAC	50-60 Hz
Temporary overvoltage TOV	UT	337V	√ system fault : 255V×1.32 at tt=5s , TN
Temporary overvoltage TOV	UT	442V	LV system fault : 255V×√3 at tt=120m , TN
Power grids		TN , TT , IT	Inclall TN varieties TN-C, TN-C-S, TN-S
Nominal discharge current	In (L-N)	5kA (PRO TKV 10SIP66CLII) 10kA(PRO TKV 20SIP66CLII)	@Uoc=10KV ; internal resistance=2Ω @Uoc=20KV ; internal resistance=2Ω
Max. voltage protection level at In	Up (L-N)	1,5kV(PRO TKV 10SIP66CLII) 1,8kV(PRO TKV 20SIP66CLII)	@Uoc=10KV ; internal resistance=2Ω @Uoc=20KV ; internal resistance=2Ω
Open-circuit voltage	Uoc	10kA(PRO TKV 20SIP66CLII) 20kA(PRO TKV 10SIP66CLII)	
Backup fuse		16A	max.,gG fuse
End of life indication		yes	Optical , light ON:SPD Is functional. Light OFF:SPD has reached end-of-life
Max earth leakage current at Uc		50μA	Max.rms,to GND
IP protection level		IP65	
Lifetime		100,000hours	Measured@Tcase-max with min 90% survival

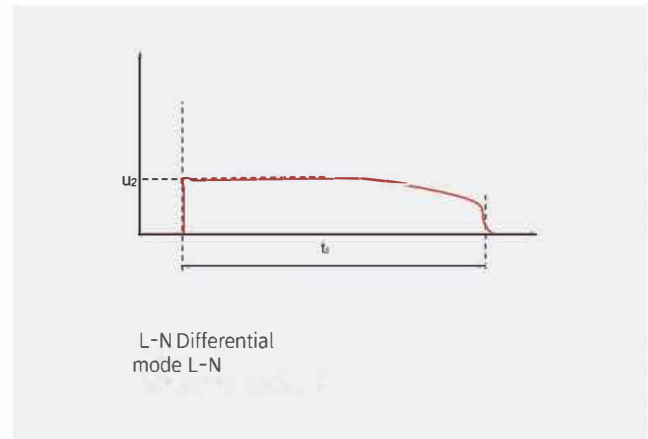
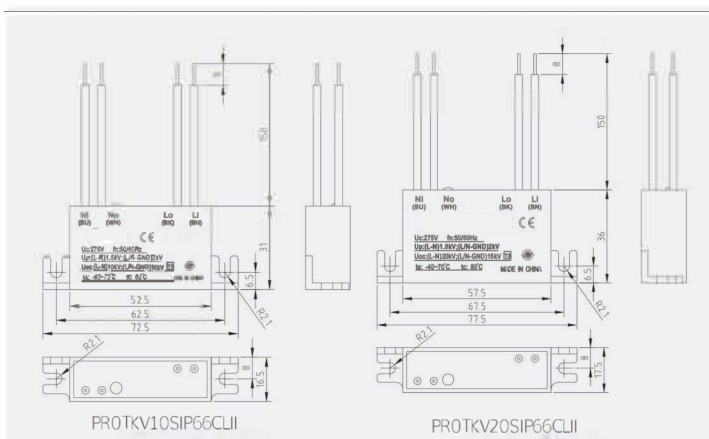
Other specifications

Specifications	Value	Model	Condition
Surge withstand capability	1 strikes	PROTKV10SIP66CLII PROTKV20SIP66CLII	max. at 10KA max. at 20KA
	20 strikes	PROTKV10SIP66CLII PROTKV20SIP66CLII	min. at 5KA min. at 10KA
	50 strikes	PROTKV10SIP66CLII PROTKV20SIP66CLII	min. at 3KA min. at 7.5KA
Nominal current	5A	PROTKV10SIP66CLII PROTKV20SIP66CLII	(50-60Hz) Rated load current at 50 ... 60Hz
Power consumption	0.5W	PROTKV10SIP66CLII PROTKV20SIP66CLII	max. at U _c =275VAC; Load current=5A
Suitable for luminaires	Class II	PROTKV10SIP66CLII PROTKV20SIP66CLII	IEC 60598 Insulation Class acc. IEC 60598

Protection levels up

Model	IC 8/20µs	U ₂ Differential mode U ₂
QR-SPD08S-10/II	5KA	≤ 1500V
PROTKV20SIP66CLII	10KA	≤ 1500V

Environmental conditions



Li- Line input → Entrada de línea (fase / L)
Lo-Line output → Salida de línea (fase / L)
Ni → Neutral input → Entrada de neutro (N)
No → Neutral output → Salida de neutro (N)

Environmental conditions

Specifications	Value	Condition
Ambient temperature	-40...70°C	
T _{case} -max	80°C	Measured at T _c -point
Storage temperature	-40...85°C	
Relative humidity	5...95%	Non-condensing
Suitable for outdoor luminaires	Yes	Outdoor with additional protection