



【Product description】

SENPIRF1F3D0SUP10 - SENPIRF1F3D0EMP10 is a high-mounting PIR motion sensor with daylight detection function. Combined with the unique software algorithm, it can accurately detect human movements in almost all high-mounting scenario to control lighting automatic ON/OFF in warehouse, lobby, workshop etc.

【Product Feature】

- PIR motion detection
- ON/OFF output
- Daylight sensor detection available
- Detection area, hold time and daylight threshold can be set by remote/DIP switch
- Max detection range: 8-10m in diameter
- 10m max mounting height
- Warehouse, workshop and lobby motion detection highly recommended
- Max loading capacity :800w resistive loading and 400w inductive loading
- Flush mounting and surface mounting available



【Dimension】

- Product size: 105x105x90.8mm(flush mounting)、105x105x65.8mm(surface mounting)
- Connection interface: 4-pin terminal



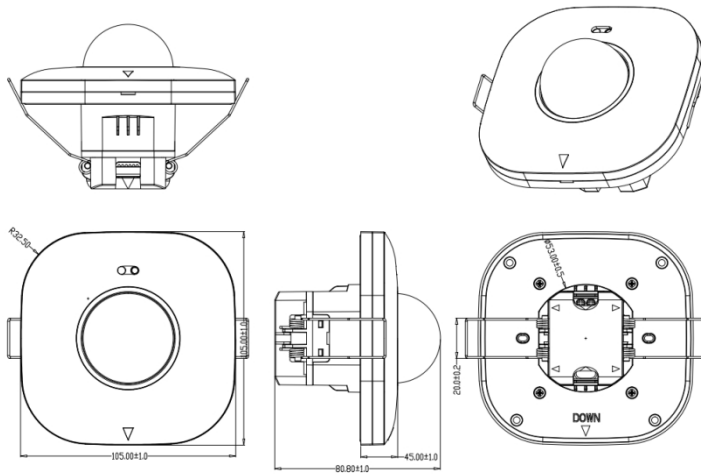
【Parameter】

Input/Output	Input voltage	220-240V AC
	Rated voltage	230V AC
	Working current	20mA max
	Power consumption	≤0.5W @12/24V DC
	Output signal	1 channel ON/OFF(Max 800w resistive loading and 400w inductive loading)
	Max. Surge Capacity	50A (50% Ipeak, twidth =200us, 230Vac full load, cold start)
Sensor parameter	Function	PIR motion detection+ daylight sensor
	Detection Area	DIP or remote setting: 100%/75%/50%/25%
	Hold Time	DIP: 2s/1min/3min/5min/10min/20min/30min MH10remote:5s/30s/1min/3min/5min/10min/20min/30min
	Daylight Sensor	DIP: 5Lux/15Lux/30Lux/50Lux/100Lux/150Lux/Disable MH10remote: 5Lux/15Lux/30Lux/50Lux/100Lux/ 150Lux/Disable
	Radius detection range(based on 100% sensitivity)	4-5m@25°C based on 8m mounting height
	Remote control	Available
	Mounting height	2.5-10m, typical value:8m
Application environment	Drill hole	Φ55mm
	Working temperature	-25°C...+50°C(detection range might differ based on different temperature)
	Storage temperature	-40°C~+80°C
	Warranty	5 years (available due to product quality problem under indoor application)
Certificate Standard	Certificate	Compliant to CE
	Environmental requirements	Compliant to RoHS
	IP rating	IP20(Flush mounting) IP54(Surface mounting)
"N/A" means not available		

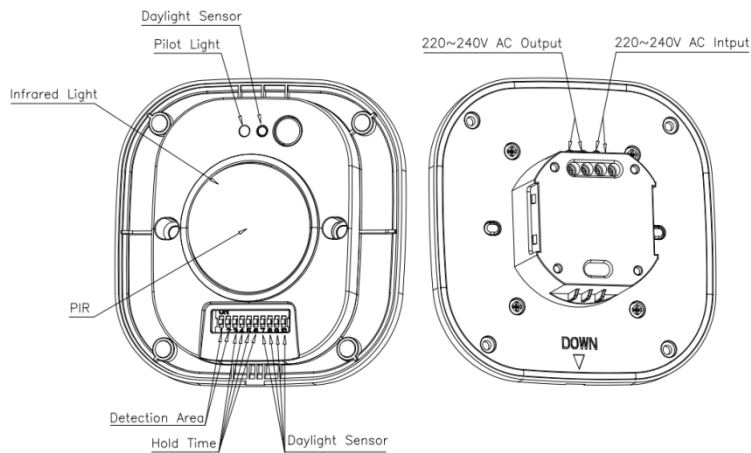
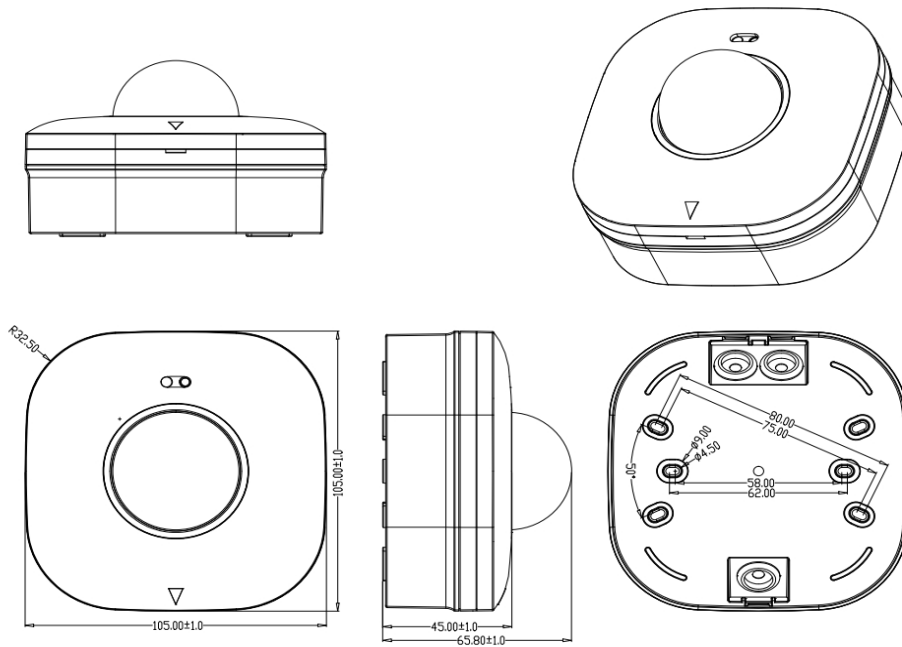


【Dimension and Function diagram】

Flush mounting

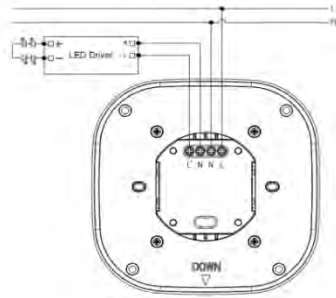


Surface mounting





【Wiring instruction】



Wiring layout suggestion:

1. LN terminal stands for AC input, L'N' stands for AC output, please wiring correctly
2. One sensor's max loading capacity is 800w resistive loading and 400w inductive loading for one single load. if you want connect more load in one loop, we recommend to add an AC contactor in our output LN terminal to avoid momentary surge overload.

【Initialization】

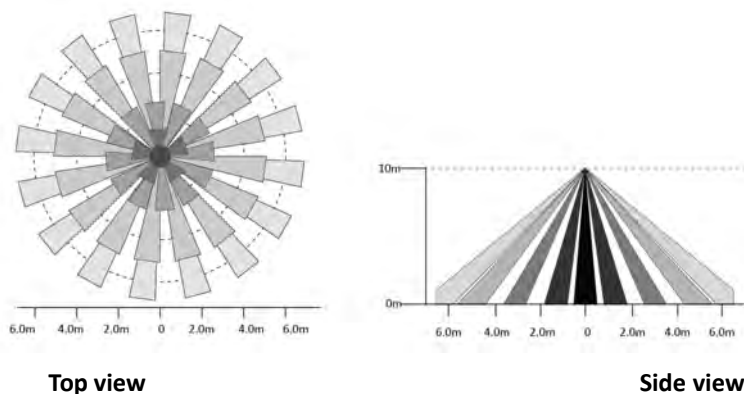
When powered on, sensor indicator will turn off after flashing for 10S and will not detect moving signal during this time. After 10S, you can use our MH10 remote or dip switch to adjust detection area、hold time and daylight sensor etc parameter.

【Factory setting】

Detection Area: 100%, Hold Time: 5s, Daylight Sensor: Disable

【Detection radiation】

MSA050S IR is highly recommended ceiling flush mounting and its detection radiation is as below shows:





【Detection Signal】

The product detects human moving signals and below is a description of the moving signals:

- **Moving signal:** detect the human significant moving (walking) in the detection area.

【DIP switch setting】

Detection Area

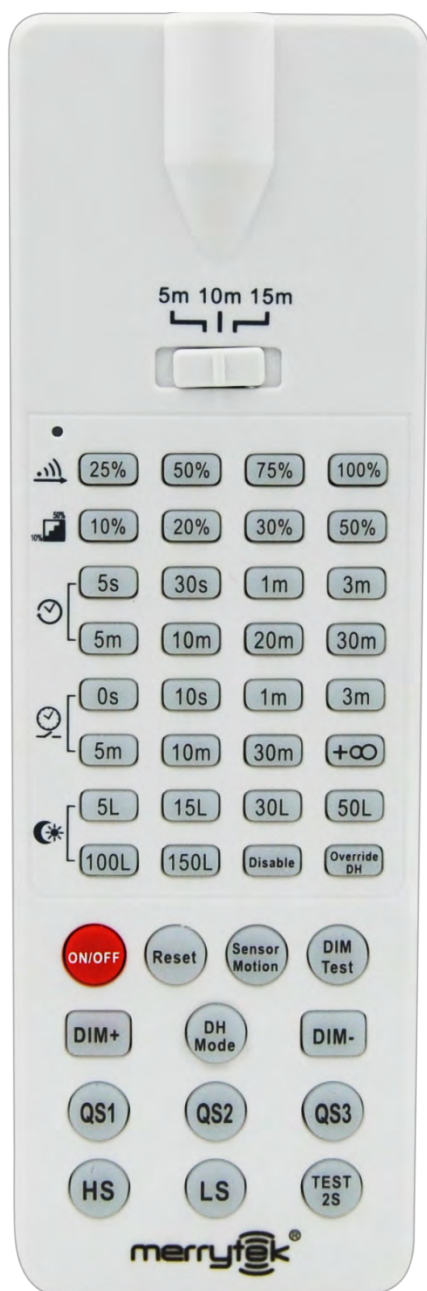
	1	2
100%	ON	ON
75%	-	ON
50%	ON	-
25%	-	-

Hold Time

	3	4	5	6	
I	ON	ON	ON	ON	5S
II	ON	-	ON	ON	1min
III	ON	ON	-	ON	3min
IV	ON	ON	ON	-	5min
V	ON	ON	-	-	10min
VI	-	-	ON	ON	20min
VII	-	-	-	-	30min

Daylight Sensor

	7	8	9	10	
I	ON	ON	ON	ON	5Lux
II	ON	-	ON	ON	15Lux
III	ON	ON	-	ON	30Lux
IV	ON	ON	ON	-	50Lux
V	ON	ON	-	-	100Lux
VI	-	-	ON	ON	150Lux
VII	-	-	-	-	Disable



Detection range: 25%/50%/75%/100%

Hold time: 5s/30s/1min/3min/5min/10min/20min/30min

Daylight threshold: 5lux/15lux/30lux/50lux/100lux/150lux/Disable

ON/OFF: disable sense function
Sensor motion: enable sense function
Reset: all parameter back as factory setting

HS: turn on indicator
LS: turn off indicator

【Disclaimer】

Due to the complexity of product technology and differences in application environment, it is difficult to guarantee a completely accurate or complete description, so this specification is only for user reference. We will reserve the right to make changes to the product specifications without notifying the user, and do not make any commitments and guarantees in the legal sense. At the same time, our company encourages users to supplement or modify the contents of our specifications after using our products.