



## 【Product description】

SENPIRF1F3D0EMP06 is an compact PIR motion sensor with daylight detection function. Combined with the unique software algorithm, it can accurately detect human movements in almost all indoor spaces to trigger smart scene application in smart homes, smart hotels, and smart offices.

## 【Product Feature】

- PIR motion detection
- Accurate ON/OFF output
- Daylight sensor detection available
- Detection area,hold time and daylight threshold can be set by remote/DIP switch
- Max detection range: 5-8m in diameter
- Max loading capacity :800w resistive loading and 400w inductive loading
- Hallway and Toilet motion detection highly recommended
- Flush mounting and surface mounting available
- Compacted mini size for perfect ceiling mounting



## 【Dimension】

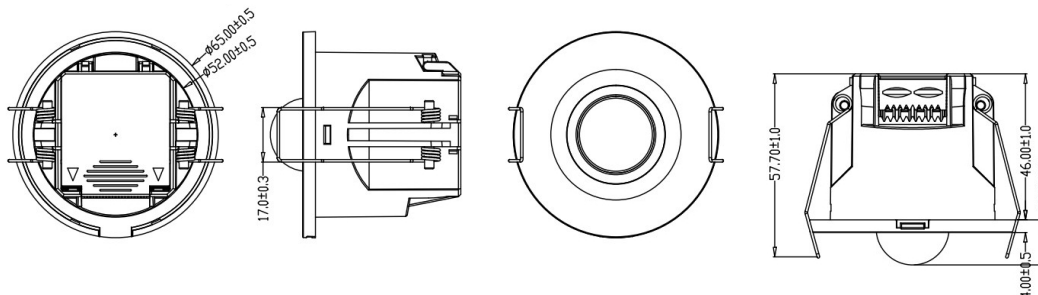
- Product size:  $\phi 52.5 \times 34$ mm
- Connection interface: 4-pin terminal



### 【Parameter】

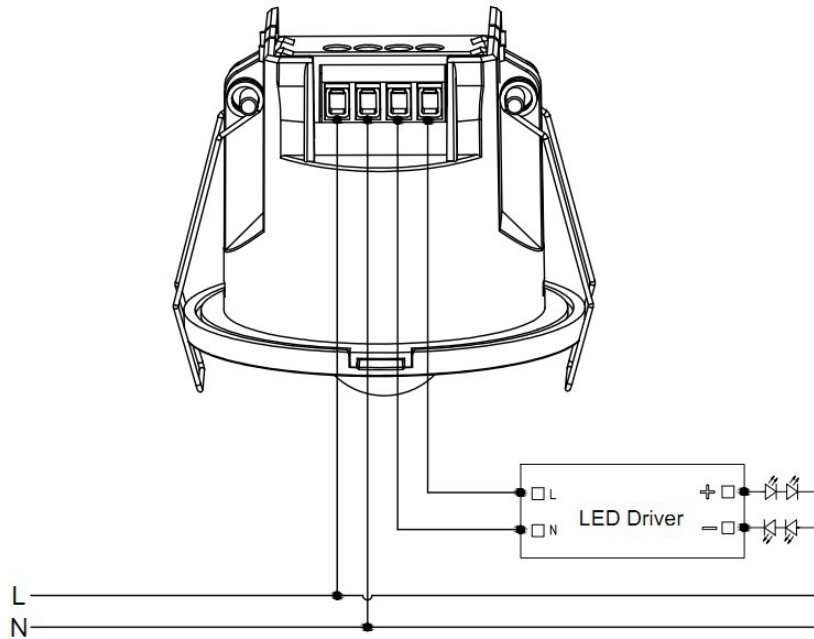
<b>Input/Output</b>	Input voltage	100-240V AC
	Rated voltage	220V AC
	Working current	20mA max
	Power consumption	≤0.2W @220V AC
	Output signal	ON/OFF
	Load capacity	800w resistive loading or 400w inductive loading
<b>Sensor parameter</b>	Function	PIR motion detection+ daylight sensor
	Detection Area	DIP or remote setting: 100%/75%/50%/25%
	Hold Time	DIP: 5s/1min/3min/5min/10min/30min RCSENIIRCFG: 5s/30s/1min/3min/5min/10min/20min/30min
	Daylight Sensor	DIP: 50Lux/Disable MH10remote: 5Lux/15Lux/30Lux/50Lux/ 100Lux/150Lux/Disable
	Radius detection range(based on 100% sensitivity)	2.5-4m @25°C based on 3m mounting height
	Remote control	Available
	Mounting height	2.5-6m typical value:3m
<b>Application environment</b>	Drill hole	Φ55mm
	Working temperature	-25°C...+50°C(detection range might differ based on different temperature )
	Storage temperature	-40°C~+80°C
<b>Certificate Standard</b>	Certificate	Compliant to CE
	Environmental requirements	Compliant to RoHS
	IP rating	IP20
"N/A" means not available		

### 【Dimension and Function diagram】



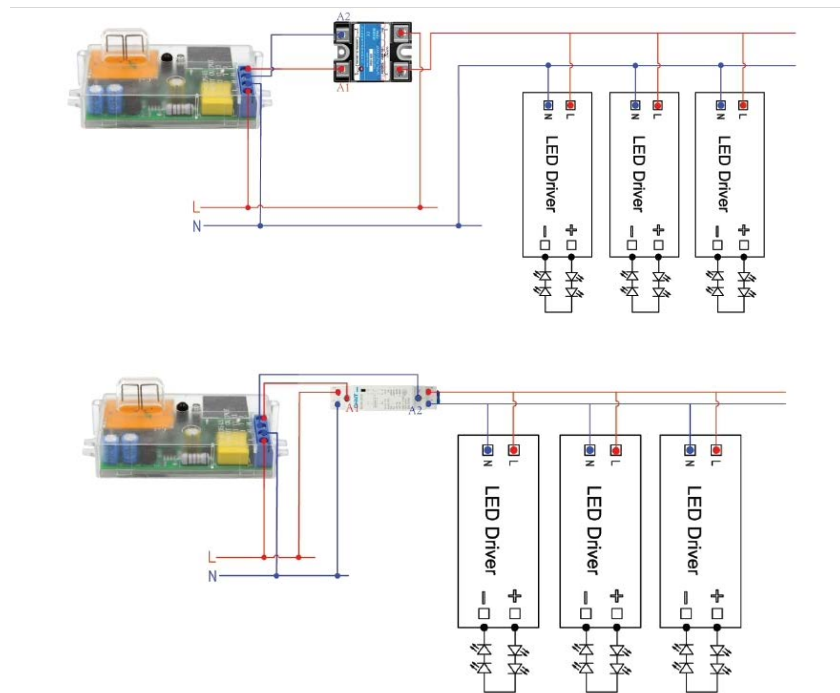


## 【Wiring instruction】



### Wiring layout suggestion:

1. LN terminal stands for AC input, L'N' stands for AC output, please wiring correctly
2. One sensor's max loading capacity is 800w resistive loading and 400w inductive loading for one single load. if you want connect more load in one loop, we recommend to add an AC contactor in our output LN terminal to avoid momentary surge overload.







## 【DIP switch setting】

Detection Area

	1	2
100%	ON	ON
75%	-	ON
50%	ON	-
25%	-	-

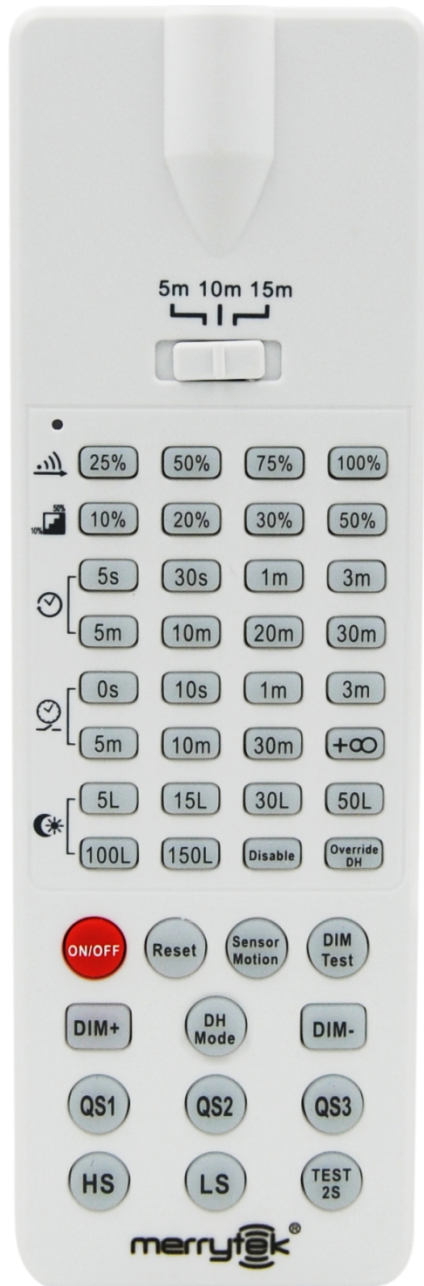
Hold Time

	3	4	5	
I	ON	ON	ON	5S
II	-	ON	ON	1min
III	ON	-	ON	3min
IV	-	-	ON	5min
V	ON	ON	-	10min
VI	-	-	-	30min

Daylight Sensor

	6	
I	ON	50Lux
II	-	Disable

\*Once daylight sensor set as Disable, our motion sensor will detect human movement regardless of environment lux



Detection range: 25%/50%/75%/100%

Hold time: 5s/30s/1min/3min/5min/10min/20min/30min

Daylight threshold: 5lux/15lux/30lux/50lux/100lux/150lux/Disable

**ON/OFF:** disable sense function  
**Sensor motion:** enable sense function  
**Reset:** all parameter back as factory setting

### 【Disclaimer】

Due to the complexity of product technology and differences in application environment, it is difficult to guarantee a completely accurate or complete description, so this specification is only for user reference.

We will reserve the right to make changes to the product specifications without notifying the user, and do not make any commitments and guarantees in the legal sense. At the same time, our company encourages users to supplement or modify the contents of our specifications after using our products.