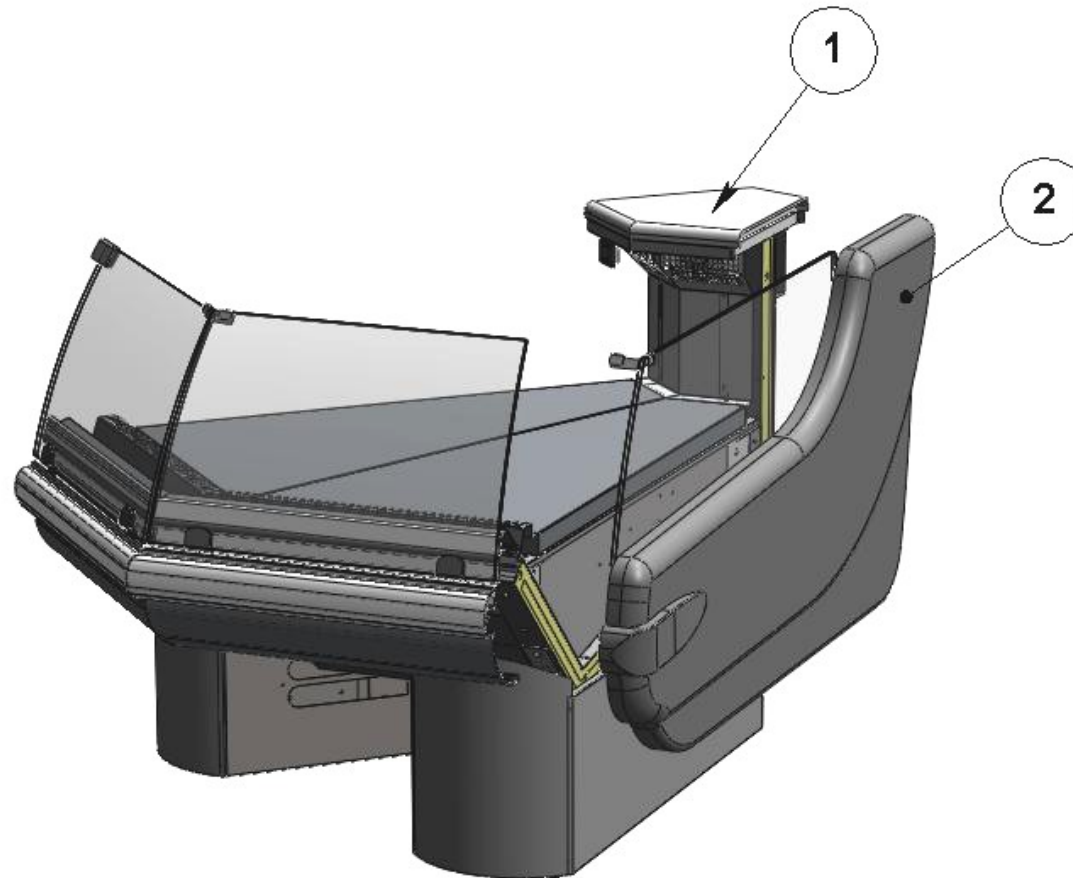




## EXPLODED VIEW

# FIRENZE 45° EXTERNAL CORNER SELF-SERVICE

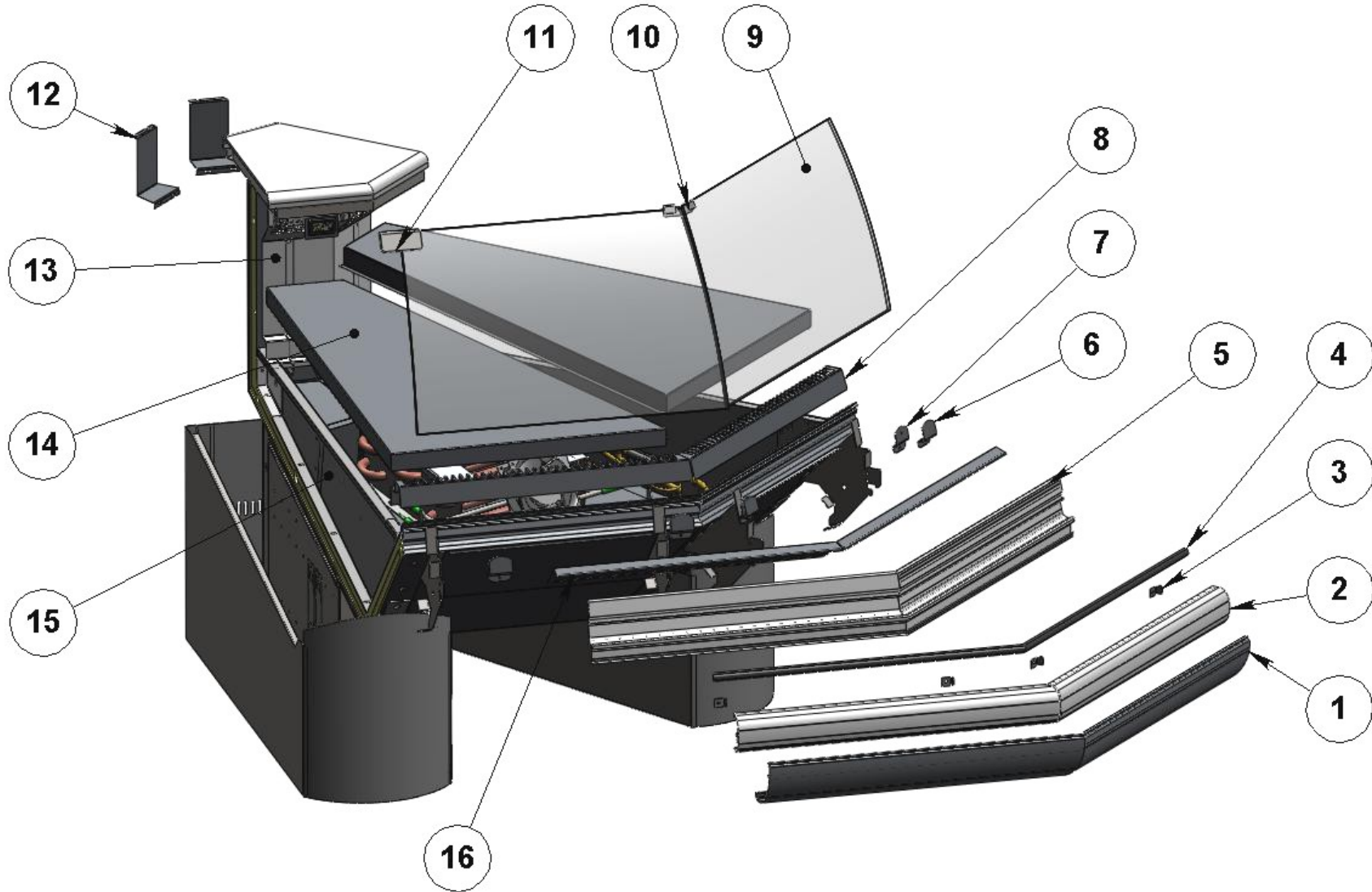


**GENERAL SPLITTING UP**

**1. INTERNAL FINISH, FRONTAL DECORATION**

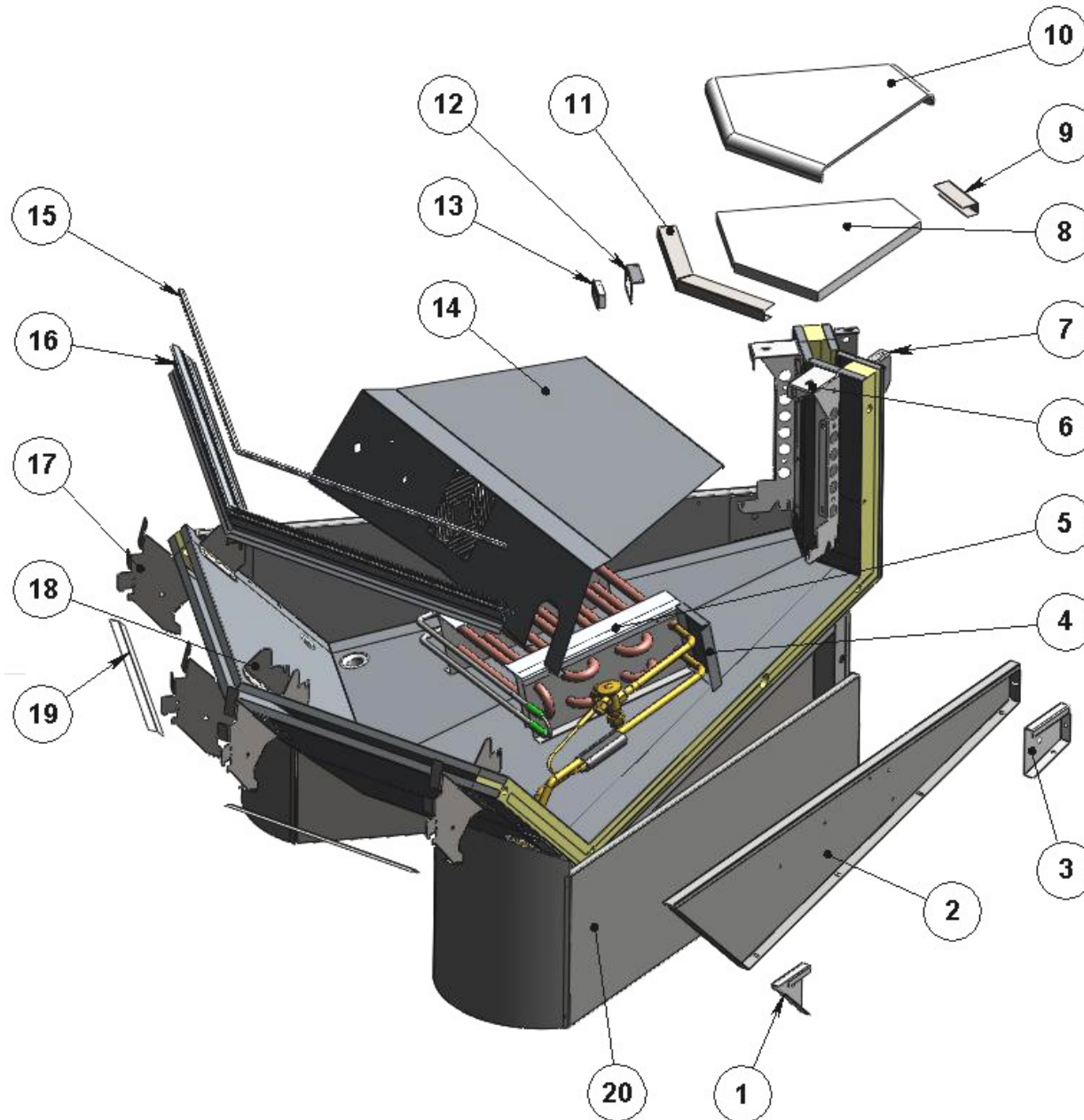
**2. COMPLETE SIDE WALL**

# 1. INTERNAL FINISH, FRONTAL DECORATION



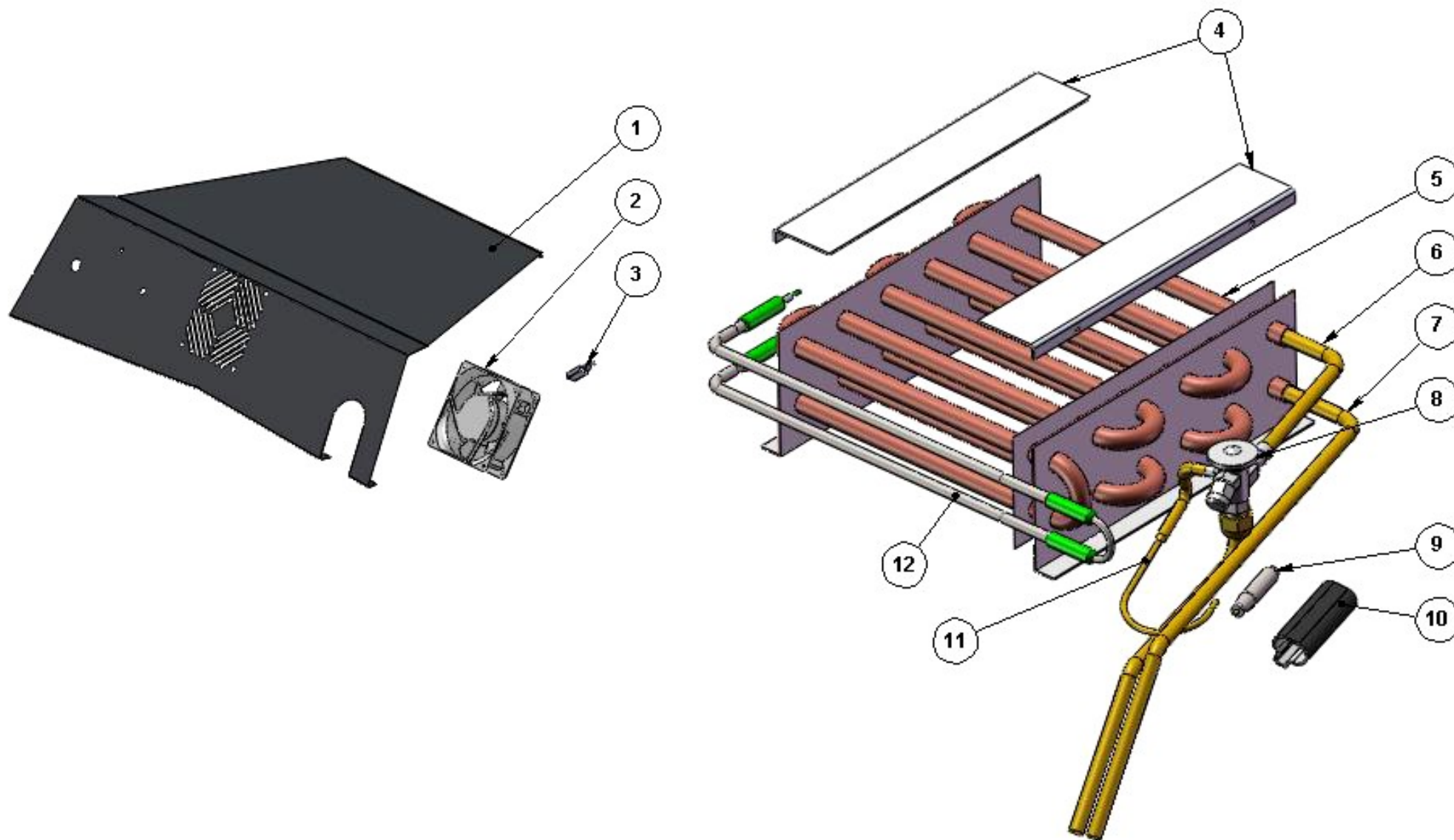
| ITEM NUMBER | DOCUMENT NUMBER | TITLE                                       | MATERIAL                      | PART NO. FOR MODULE |
|-------------|-----------------|---|-------------------------------|---------------------|
| 1.          | TT0L015         | UPPER DECORATION PROFILE                    | ALUMINIUM                     | 2FI45E0F0031 (DX)   |
|             |                 |   |                               | 2FI45E0F0051 (SX)   |
| 2.          | TT0L013         | BUMPER RAIL PROFILE                         | PVC                           | 2FI45E0F0029 (DX)   |
|             |                 |   |                               | 2FI45E0F0049 (SX)   |
| 3.          | TT0L004         | BUMPER RAIL COUPLER BRACKET                 |                               | 6FI1250F0008        |
| 4.          |                 | GLASS REBATE GUMMY PROFILE BETA BLACK P0391 | PVC                           | 4180403             |
| 5.          | TT0L037         | GLASS REBATE PROFILE                        |                               | 2FI45E0F0027 (DX)   |
|             |                 |   |                               | 2FI45E0F0047 (SX)   |
| 6.          | RG126           | FRONT GLASS FIXING BRACKET S/S              | STAINLESS STEEL AISI304 15/10 | 6SV072030402        |
| 7.          | RG126           | BACK GLASS FIXING BRACKET S/S               | STAINLESS STEEL AISI304 15/10 | 6SV072030403        |
| 8.          | TT0G010         | SUCTION GRID 135°E                          |                               | 6FI45E040031(DX)    |
|             |                 |   |                               | 6FI45E040051(SX)    |
| 9.          | RG129           | FRONTAL GLASS SS 45E                        | FLOAT 6mm                     | 4191483 (DX)        |
|             |                 |   |                               | 4191484 (SX)        |
| 10.         | CC0D044         | GLASS STOP SS 45E                           | STAINLESS STEEL AISI304 15/10 |                     |
| 11.         |                 | GLASS STOP MANOR SS MP160                   | POLYCARBONATE                 | 4081335             |
| 12.         | TT0H011         | BLIND WIREWAY                               | GREY PLAST. N1 6/10           | 6FI45E010027 (DX)   |
|             |                 |   |                               | 6FI45E010047 (SX)   |
| 13.         | TT0G008         | AIR OUTLET GRID 135°E                       |                               | 6FI45E040029 (DX)   |
|             |                 |   |                               | 6FI45E040049 (SX)   |
| 14.         |                 | REMOVABLE PLATE EXTERNAL CORNER (ASSEMBLY)  |                               | 2FI45E040001 (DX)   |
|             |                 |   |                               | 2FI45E040003 (SX)   |
| 15.         |                 | BASIN INTERNAL FINISH                       |                               |                     |
| 16.         | TT0G022         | LATERAL UPRIGHT STOPPER                     | GREY PLAST. N1 6/10           | 6FI45E0F0002 (DX)   |
|             |                 |   |                               | 6FI45E0F0003 (SX)   |

## 1.1 BASIN INTERNAL FINISH



| ITEM NUMBER | DOCUMENT NUMBER | TITLE                                    | MATERIAL   | PART NO. FOR MODULE                    |
|-------------|-----------------|--|--|--|
| 1.          | RG034           | SIDE WALL FIXING BRACKET                 | IRON SHEET 15/10   | 6SV072040039 (SX)<br>6SV072040038 (DX) |
| 2.          | PP013           | BASIN STOPPER                            | STAINLESS STEEL AISI304 5/10                             | 6PP096040001 (SX)<br>6PP096040000 (DX) |
| 3.          | RG106           | BACK STOPPER BRACKET                     | IRON SHEET 15/10   | 6SV072040041 (SX)<br>6SV072040040 (DX) |
| 4.          |                 | EVAPORATOR                               |  |  |
| 5.          | PP181           | LATERAL EVAPORATOR COVER 135°E.          | WHITE PLAST. A1SA 6/10                                   | 6SV45E040006                           |
| 6.          | TT0G006         | BACK GRID SUPPORT BRACKET                | IRON SHEET 15/10   | 6F1125040113 (SX)<br>6F1125040112 (DX) |
| 7.          | TT0H004         | BACK LEVEL SURFACE SUPPORT               | IRON SHEET 20/10   | 6F1125010011 (SX)<br>6F1125010009 (DX) |
| 8.          | PP210           | PLAST. STOPPER INT. CORNER ALPHA         | POLYETHYLENE Thickness 18mm                              | 4081128                                |
| 9.          | PP211           | BACK PLAST. STAINLESS STEEL CLOSURE 45E  | STAINLESS STEEL AISI304 DEC9 BA + PRO + SAT80 H435X 7/10 | 6PP45E010007                           |
| 10.         | PP062           | JUNCTION PLANES FOR CORNERS              | POLYETHYLENE Thickness 25mm                              | 4081121                                |
| 11.         | PP211           | FRONT PLAST. STAINLESS STEEL CLOSURE 45E | STAINLESS STEEL AISI304 DEC9 BA + PRO + SAT80 H435X 7/10 | 6PP45E010008                           |
| 12.         | TT0C002         | THERMOMETER HOLDER                       | STAINLESS STEEL AISI304 15/10                            | 6F1125020007                           |
| 13.         |                 | DIGITAL THERMOMETER                      |  | 4131307                                |
| 14.         |                 | FANS HOLDER                              |  |  |
| 15.         |                 | GUMMY INSERT PROFILE TT R/123 RAL9006    | PVC  | 4180409                                |
| 16.         | TT0G014         | TOP DEFLECTOR PROFILE 135°E              | ATOXIC PVC PROFILE GLASS DEFL.4400 0G 001                | 2FI45E040027 (DX)<br>2FI45E040047 (SX) |
| 17.         | TT0L001         | TOP PANEL SUPPORT BRACKET                | GALVANIZED SHEET 15/10                                   | 6F11250F0001                           |
| 18.         | TT0G007         | FRONT GRID SUPPORT BRACKET               | STAINLESS STEEL AISI304 15/10                            | 6F1125040014 (DX)<br>6F1125040015 (SX) |
| 19.         | TT0L022         | STOPPER SUPPORT PST                      | GALVANIZED SHEET SKIMPAS 7/10                            | 6F11250F0012                           |
| 20.         |                 | BOTTOM BASIN ASSEMBLY                    |  |  |

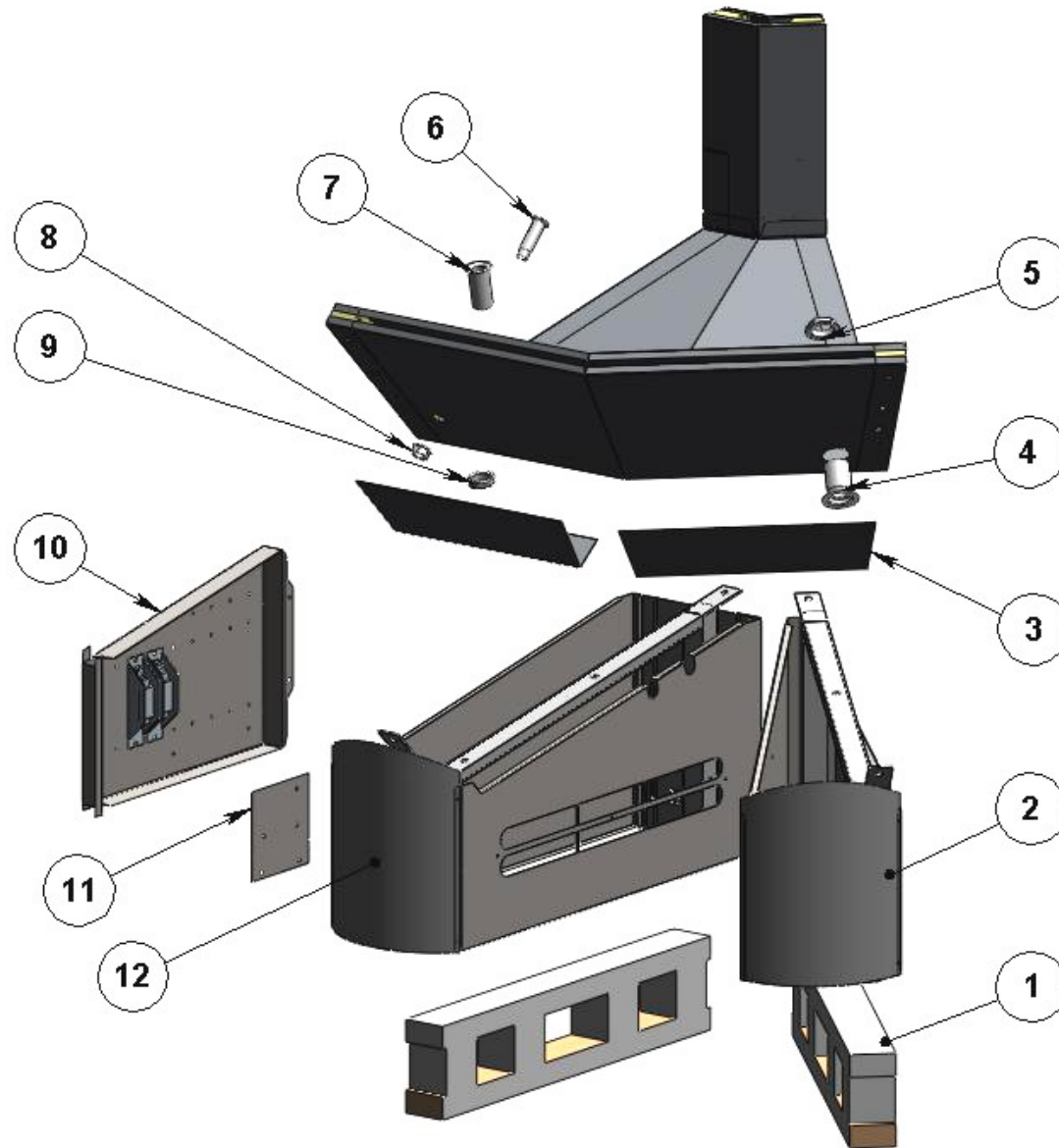
### 1.1.1. FANS HOLDER. EVAPORATOR





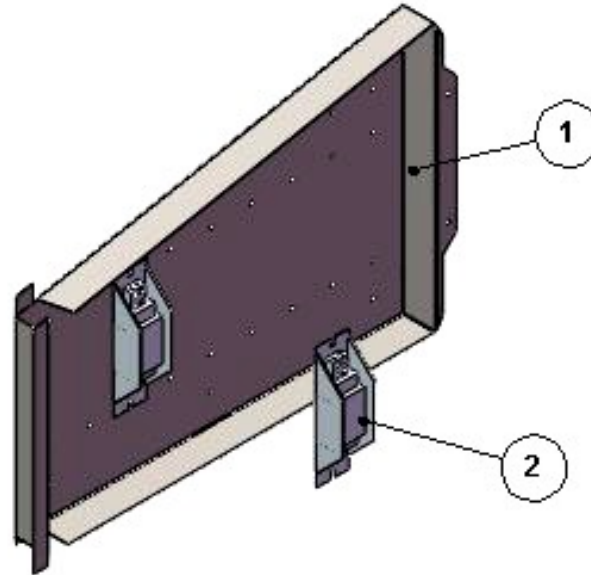
| ITEM NUMBER | DOCUMENT NUMBER | TITLE                                 | MATERIAL                                   | PART NO. FOR MODULE |
|-------------|-----------------|---------------------------------------|--|---------------------|
| 1.          | PP181           | EVAPORATOR COVER 135°EXT CORNER       | STAINLESS STEEL AISI 304 6/10              | 6SV45E040005        |
| 2.          |                 | MOTORFAN "PP" 4715 MS23TB10 A00       |  | 4241007             |
| 3.          |                 | CABLE CONNECTOR L. 1525 MM            |  | 4110606             |
| 4.          | CC0F012         | EVAPORATOR COVER SUPPORT BRACKET      | SILVER PLATED +PLASTICIZED ALUMINIUM 20/10 | 6PP096040036        |
| 5.          |                 | EVAPORATOR KING V. 135 E - I COATED   | COOPER TUBES - ALUMINIUM SHEETS            | 4220300             |
| 6.          | PP440           | TUBE FOR VALVE, LIQUID LINE           | COOPER TUBES D.6 X 8                       | 4272415             |
| 7.          | PP441           | TUBE FOR VALVE, EXTERNAL EQUALIZATION | COOPER TUBES D.4 X 6                       | 4272414             |
| 8.          |                 | WELDED VALVE THERMOSTAT.R404 TES/2    |  | 4251311             |
| 9.          |                 | VALVE BULB                            |  |                     |
| 10.         |                 | ANTICONDENSATE TUBE                   | INSULATING SPONGE 6 X 22                   | 4270505             |
| 11.         |                 | CAPILLARY TUBE                        | COOPER TUBES 1.8X3                         | 4260206             |
| 12.         | RG179           | DEFROSTING RESISTOR D8.5              |  | 4122101             |

## 1.1.2. BOTTOM BASIN ASSEMBLY



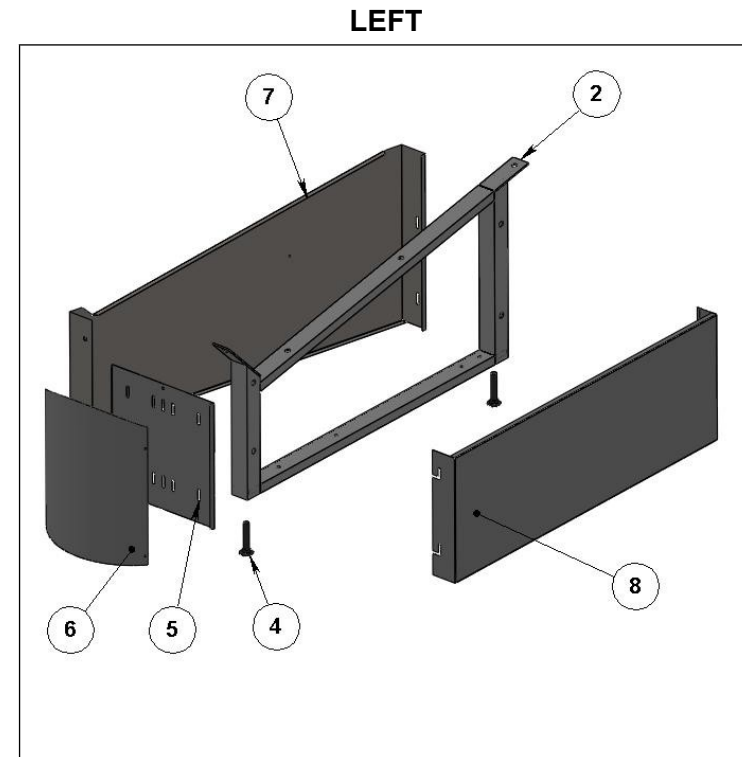
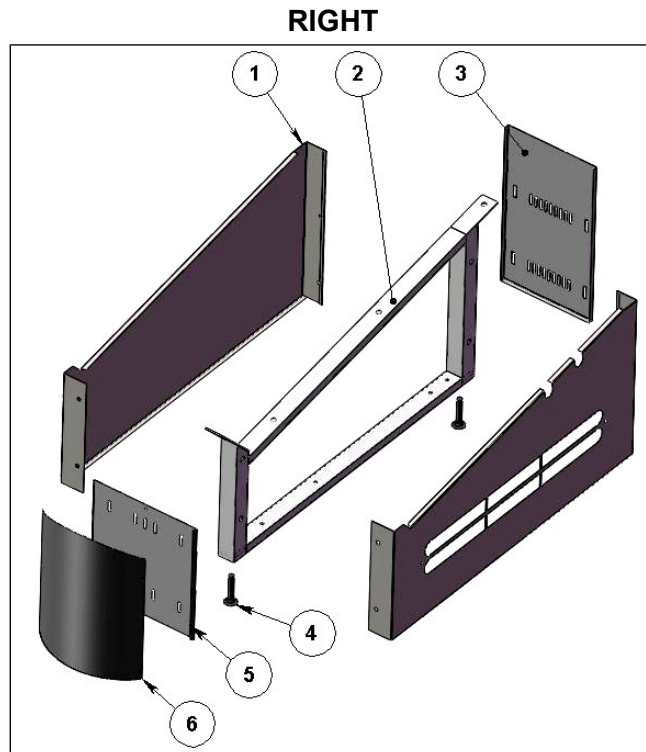
| ITEM NUMBER | DOCUMENT NUMBER | TITLE                                     | MATERIAL                | PART NO. FOR MODULE |
|-------------|-----------------|---|-------------------------|---------------------|
| 1.          | PP178           | WOOD SLIDE "ALPHA" H80 L. 720             | SPRUCE WOOD             | 4321310             |
| 2.          |                 | LEFT FRAME                                |                         |                     |
| 3.          | TT0J046         | BASIN COVER PANNEL 135°E                  | PLAST. SHEET N12SM 6/10 | 6FI45E070005 (DX)   |
| 4.          |                 | DRAIN D. 44                               |                         | 4102106             |
| 5.          |                 | DRAIN NUT D. 44                           |                         | 4102106             |
| 6.          |                 | DRAIN D. 35                               | ABS                     |                     |
| 7.          |                 | DRAIN 10124 1'1/2 GAS L.75 MM             | ABS                     | 4102132             |
| 8.          |                 | DRAIN NUT D. 35                           | ABS                     |                     |
| 9.          |                 | DRAIN NUT 1"1/2                           | ABS                     |                     |
| 10.         |                 | BALLASTS HOLDER PANEL                     |                         | 2FI125090107        |
| 11.         | RGSD016         | SUPPORT FOR BALLASTS PANEL TERMINAL BOARD | GALVANIZED SHEET 10/10  | 6SV072090010        |
| 12.         |                 | RIGHT FRAME                               |                         |                     |

### 1.1.2.1. BALLASTS HOLDER PANEL



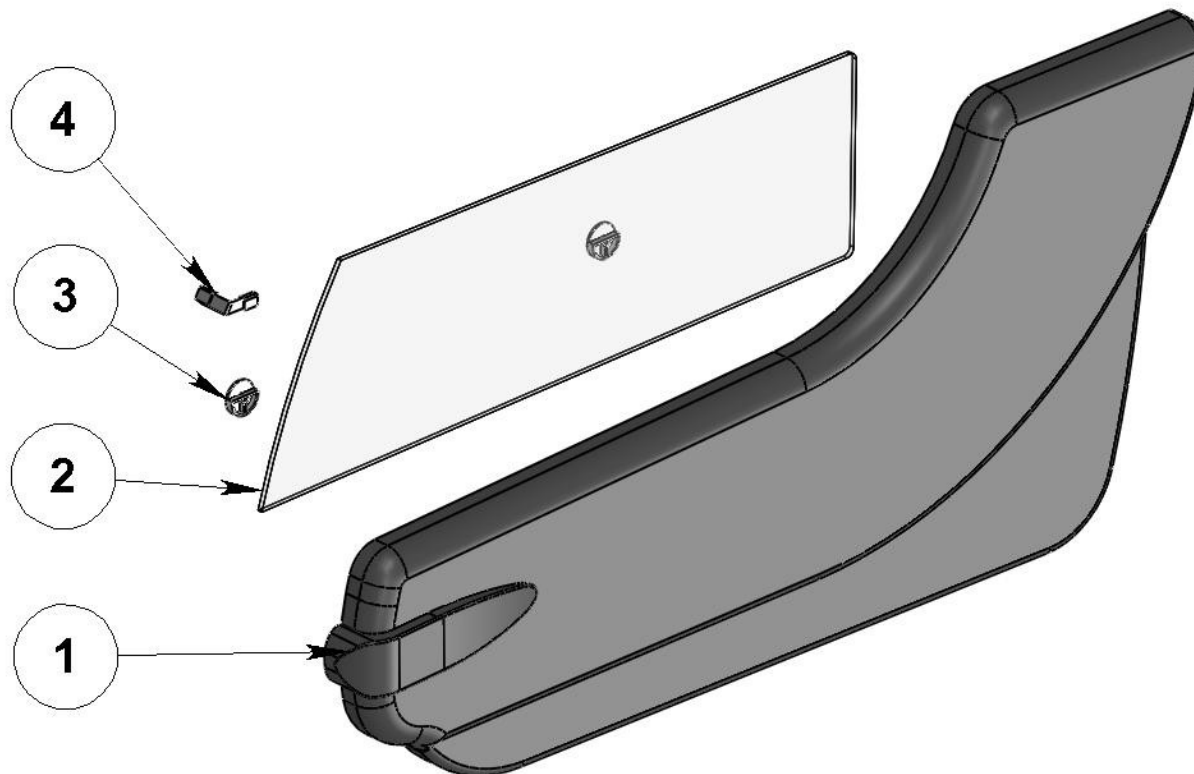
| ITEM NUMBER | DOCUMENT NUMBER | TITLE           | MATERIAL         | PART NO. FOR MODULE |
|-------------|-----------------|-----------------|------------------|---------------------|
| 1.          | TT0C001         | BALLASTS HOLDER | IRON SHEET 10/10 | 6FI125090108        |
| 2.          |                 | BALLAST         |                  | 18 – 20 W           |
|             |                 |                 |                  | 4115102             |

### 1.1.2.2. FRAME



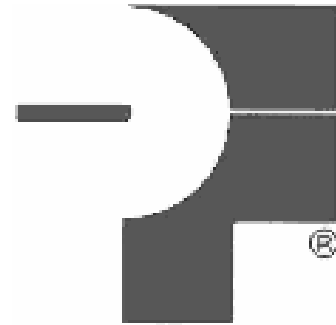
| ITEM NUMBER | DOCUMENT NUMBER | TITLE                                     | MATERIAL                    | PART NO. FOR MODULE                    |
|-------------|-----------------|---|-----------------------------|--|
| 1.          | TT0J003         | UNDER BASIN DECORATION                    | PLASTICIZED SHEET 8/10      | 6FI125070004 (SX)<br>6FI125070003 (DX) |
| 2.          | TT0B006         | FRAME                                     | IRON TUBE                   | 2FI125060001                           |
| 3.          | TT0J007         | LEG BACK CLOSURE (P)                      | GREY PLASTICIZED SHEET 6/10 | 6FI125060002                           |
| 4.          |                 | BOLT M12X45                               | GALVANIZED STEEL            |  |
| 5.          | TT0J005         | FRONT DECORATION SUPPORT ANTHRAC.         | PLASTICIZED SHEET 8/10      | 6FI125070002                           |
| 6.          | TT0J001         | CAMBERED ANTHRAC. FRONT DECORATION        | PLASTICIZED SHEET 8/10      | 6FI125070001                           |
| 7.          | TT0J048         | UNDER BASIN DECORATION 45E SIDE WALL TERM | PLASTICIZED SHEET 6/10      | (DX)                                   |
| 8.          | TT0J002         | UNDER SIDE WALL DECORATION                | PLASTICIZED SHEET 8/10      | 6FI125080012 (DX)<br>6FI125080013 (SX) |

## 2. COMPLETE SIDE WALL



| ITEM NUMBER | DOCUMENT NUMBER | TITLE                              | MATERIAL                      | PART NO. FOR MODULE |
|-------------|-----------------|------------------------------------|-------------------------------|---------------------|
| 1.          | TT0M001         | SIDE WALL                          | POLYURETHANE Thickness 50mm   |                     |
| 2.          | TT0M008         | SIDE GLASS FIRENZE SELF-SERVICE    | FLOAT 6 mm                    | 4190307             |
| 3.          |                 | LATERAL GLASS BLOCK                | PVC                           | 4100313             |
| 4.          | ETOM004         | FRONT GLASS SS - SIDE WALL BRACKET | STAINLESS STEEL AISI304 15/10 | 6DV120032002 (SX)   |





**pastorfrigor**<sub>spa</sub>

Regione Gabannone, 4 – Zona Industriale  
15030 TERRUGGIA (AL) ITALY  
Tel. +39 0142 433711  
Fax. +39 0142 433700