

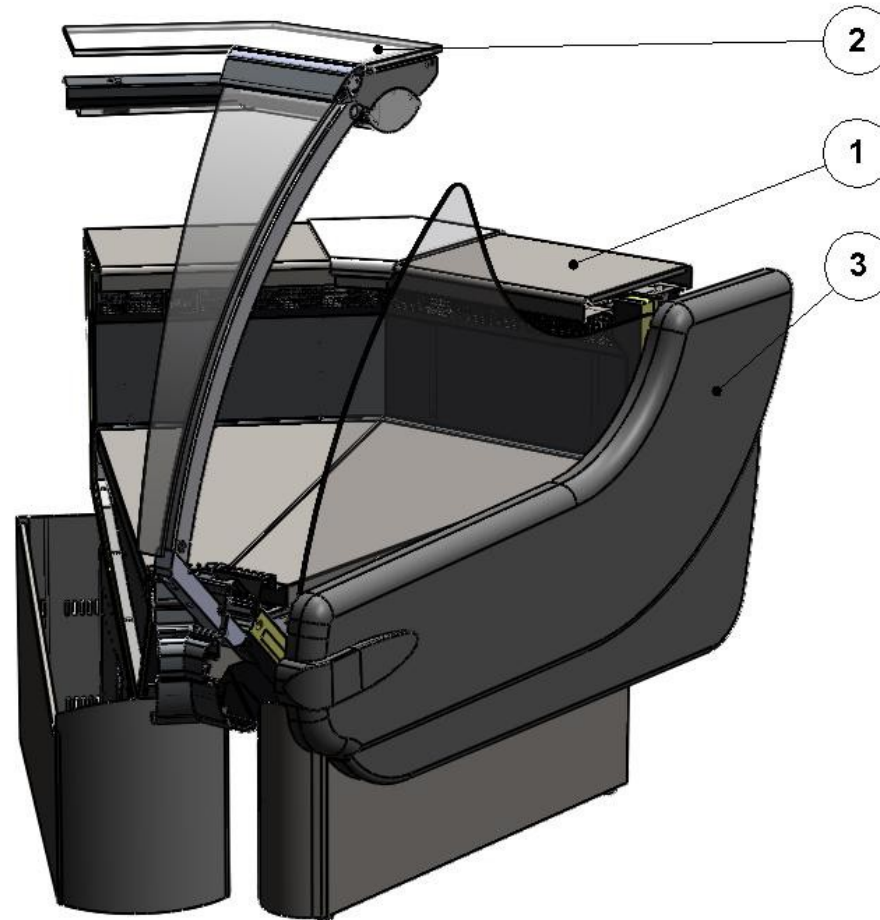


## EXPLODED VIEW

# FIRENZE

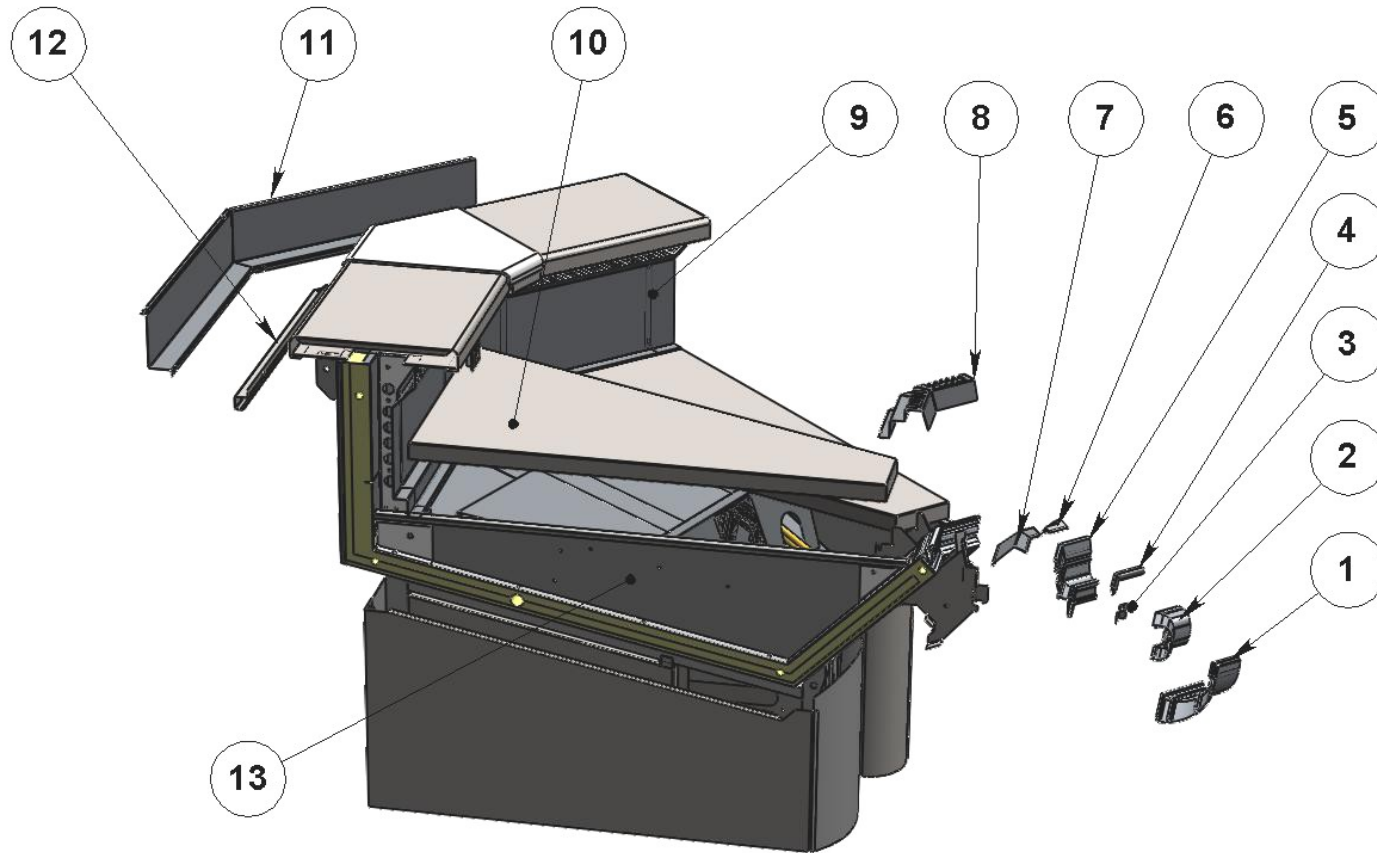
## 45° INTERNAL CORNER



**GENERAL SPLITTING UP**

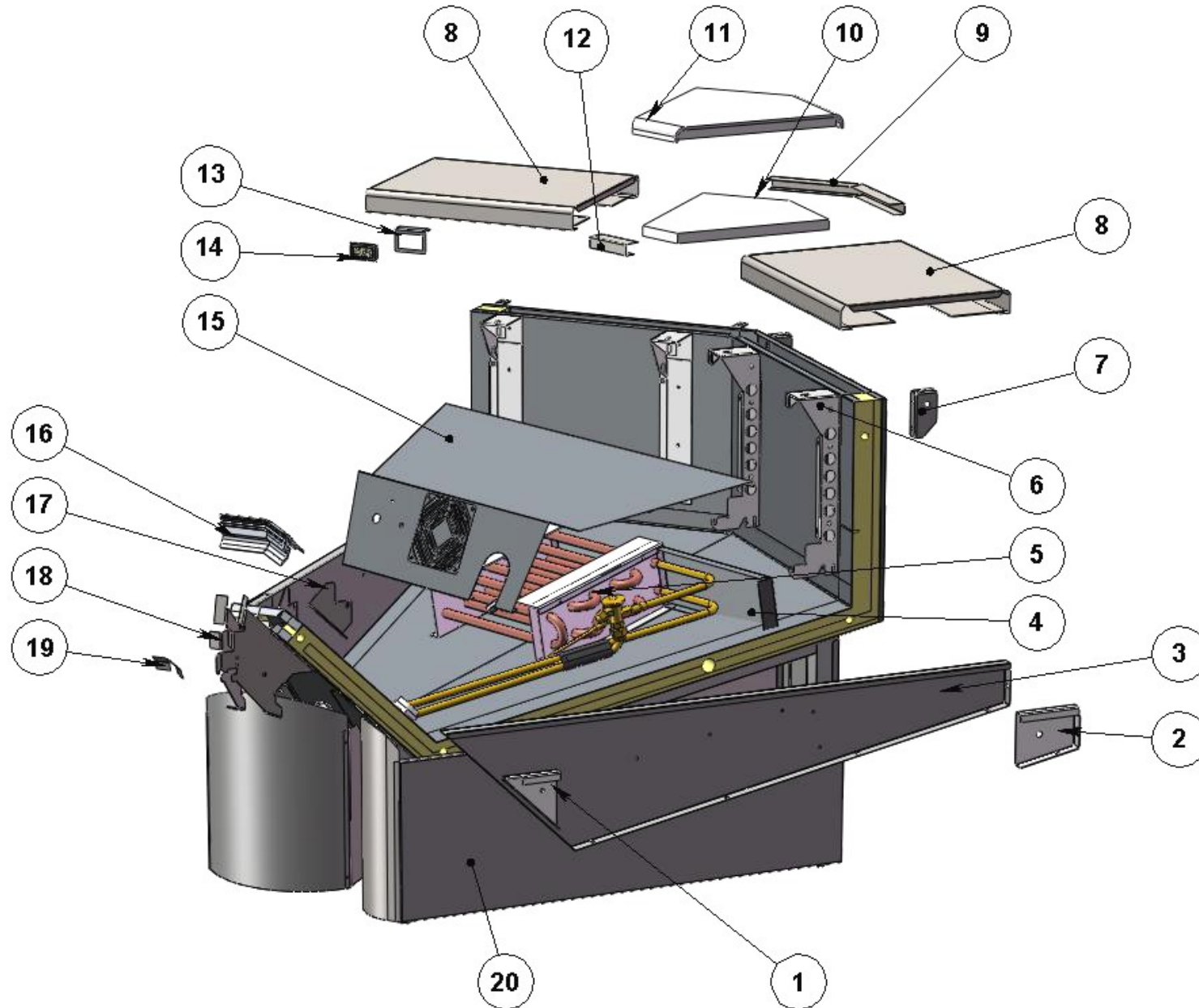
1. INTERNAL FINISH, FRONTAL DECORATION
2. GLASSES SUPERSTRUCTURE
3. COMPLETE SIDE WALL

# 1. INTERNAL FINISH, FRONTAL DECORATION



ITEM NUMBER	DOCUMENT NUMBER	TITLE	MATERIAL	PART NO. FOR MODULE
1.	TT0L014	UPPER DECORATION PROFILE	ALUMINIUM	2FI45I0F0031 (R)
				2FI45I0F0051 (L)
2.	TT0L012	BUMPER RAIL PROFILE	PVC	2FI45I0F0029 (R)
				2FI45I0F0049 (L)
3.	TT0L004	BUMPER RAIL COUPLER BRACKET		6FI1250F0008
4.		GLASS REBATE GUMMY PROFILE BETA BLACK P0391	PVC	4180403
5.	TT0L038	GLASS REBATE PROFILE		2FI45I0F0027 (R)
				2FI45I0F0047 (L)
6.	TT0G002	LATERAL UPRIGHT STOPPER	GREY PLAST. N1 6/10	6FI1250F0003 (L)
7.	TT0G023	LATERAL UPRIGHT STOPPER	GREY PLAST. N1 6/10	6FI45I0F0002 (R)
				6FI45I0F0003 (L)
8.	TT0G011	SUCTION GRID 135°I		6FI45I040031 (R)
				6FI45I040051 (L)
9.	TT0G009	AIR OUTLET GRID 135°I		6FI45I040029 (R)
				6FI45I040049 (L)
10.		REMOVABLE PLATE EXTERNAL CORNER (ASSEMBLY)		2FI45I040001 (R)
				2FI45I040003 (L)
11.	TT0H012	BLIND WIREWAY	GREY PLAST. N1 6/10	6FI45I010027 (R)
				6FI45I010047 (L)
12.	PP102	SLIDING FOR ACCESSORY	STAINLESS STEEL AISI304 8/10	6PP45I010009
13.		BASIN INTERNAL FINISH		

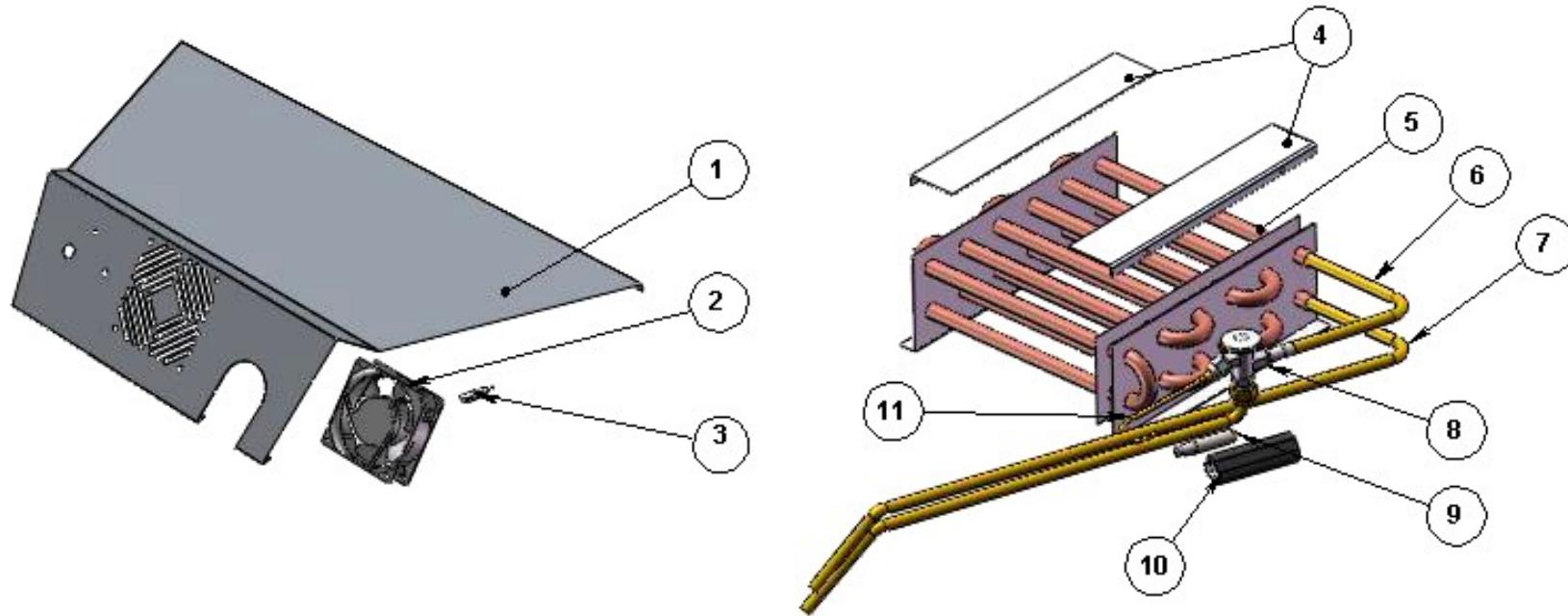
### 1.1. BASIN INTERNAL FINISH



ITEM NUMBER	DOCUMENT NUMBER	TITLE	MATERIAL	PART NO. FOR MODULE
1.	RG034	SIDE WALL FIXING BRACKET	IRON SHEET 15/10	6SV072040039 (L)
				6SV072040038 (R)
2.	RG106	BACK STOPPER BRACKET	IRON SHEET 15/10	6SV072040041 (L)
				6SV072040040 (R)
3.	PP013	BASIN STOPPER	STAINLESS STEEL AISI304 5/10	6PP096040001 (L)
				6PP096040000 (R)
4.	PP179	LATERAL EVAPORATOR COVER 135°I.	WHITE PLAST. A1SA 6/10	6SV45I040006
5.		EVAPORATOR		
6.	TT0G006	BACK GRID SUPPORT BRACKET	IRON SHEET 15/10	6FI125040113 (L)
				6FI125040112 (R)
7.	TT0H004	BACK LEVEL SURFACE SUPPORT	IRON SHEET 20/10	6FI125010011 (L)
				6FI125010009 (R)
8.	PP061	STAINLESS STEEL PLAIN	STAINLESS STEEL AISI304 7/10	6PP45I010002
9.	PP211	BACK PLAST. STAINLESS STEEL CLOSURE 45E	STAINLESS STEEL AISI304 DEC9 BA + PRO + SAT80 H435X 7/10	6PP45E010007
10.	PP210	PLAST. STOPPER INT. CORNER ALPHA	POLYETHYLENE Thickness 18mm	4081128
11.	PP062	JUNCTION PLANES FOR CORNERS	POLYETHYLENE Thickness 25mm	4081121
12.	PP211	FRONT PLAST. STAINLESS STEEL CLOSURE 45E	STAINLESS STEEL AISI304 DEC9 BA + PRO + SAT80 H435X7/10	6PP45E010008
13.	TT0C002	THERMOMETER HOLDER	STAINLESS STEEL AISI304 15/10	6FI125020007
14.		DIGITAL THERMOMETER		4131307
15.		FANS HOLDER		
16.	TT0G015	TOP DEFLECTOR PROFILE 135°I	ATOXIC PVC PROFILE GLASS DEFL.4400 0G 001	2FI45I040027 (R)
				2FI45I040047 (L)
17.	TT0G007	FRONT GRID SUPPORT BRACKET	STAINLESS STEEL AISI304 15/10	6FI125040014 (R)
				6FI125040015 (L)
18.	TT0L001	TOP PANEL SUPPORT BRACKET	GALVANIZED SHEET 15/10	6FI1250F0001
19.	TT0L022	STOPPER SUPPORT PST	GALVANIZED SHEET SKIMPAS 7/10	6FI1250F0012
20.		BOTTOM BASIN ASSEMBLY		

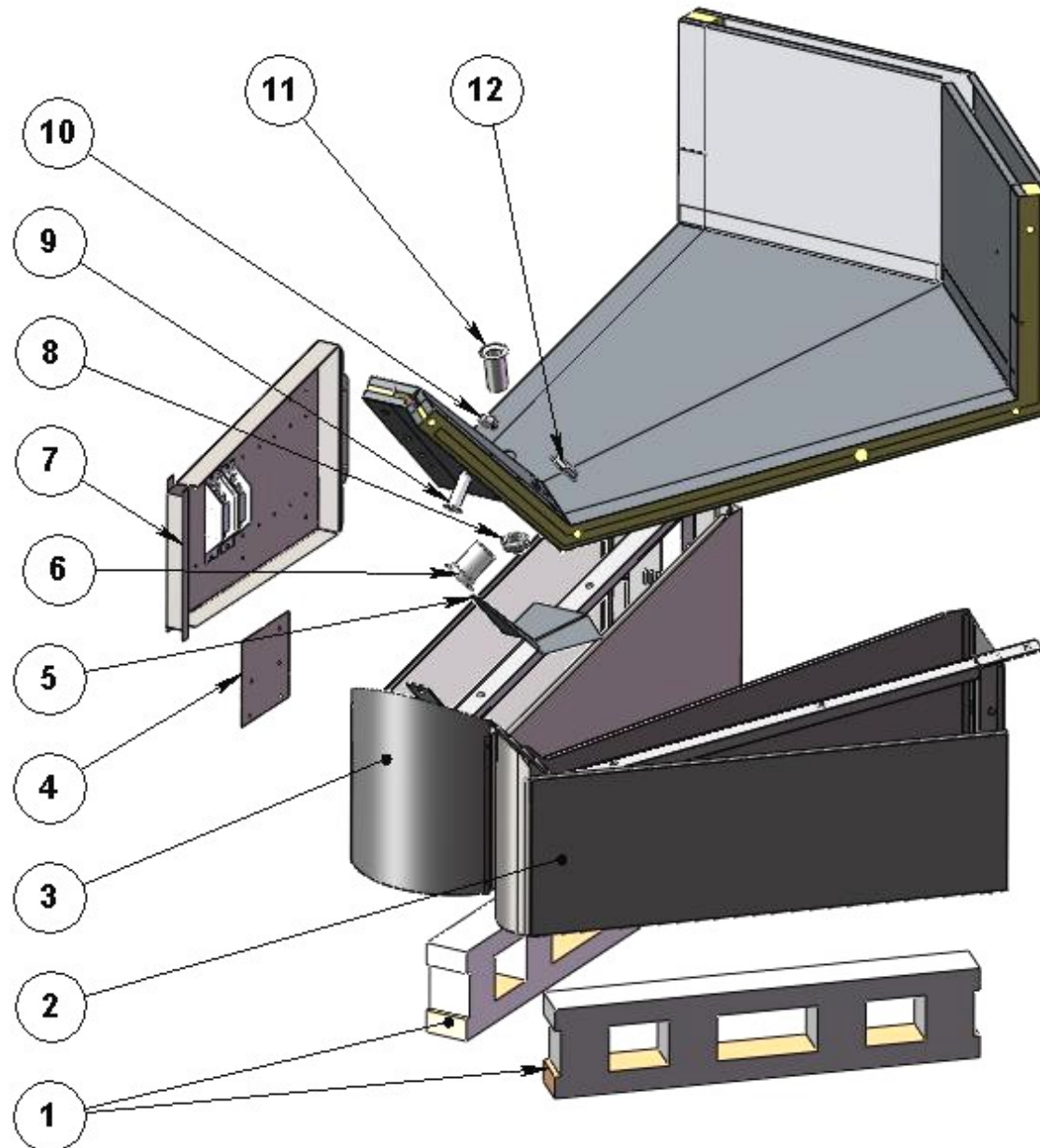


### 1.1.1. FANS HOLDER. EVAPORATOR



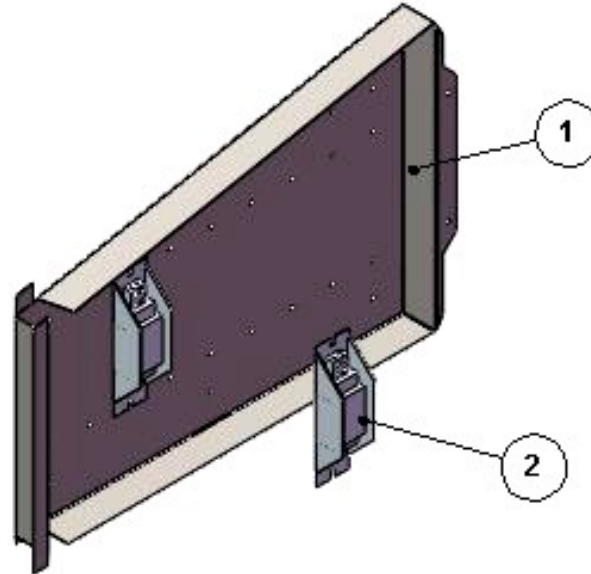
ITEM NUMBER	DOCUMENT NUMBER	TITLE	MATERIAL	PART NO. FOR MODULE
1.	PP179	EVAPORATOR COVER 135°INT CORNER	STAINLESS STEEL AISI 304 6/10	6SV45I040005
2.		MOTORFAN "PP" 4715 MS23TB10 A00		4241007
3.		CABLE CONNECTOR L. 1525 MM		4110606
4.	CC0F012	EVAPORATOR COVER SUPPORT BRACKET	SILVER PLATED +PLASTICIZED ALUMINIUM 20/10	6PP096040036
5.		EVAPORATOR KING V. 135 E - I COATED	COOPER TUBES - ALUMINIUM SHEETS	4220300
6.	PP440	TUBE FOR VALVE, LIQUID LINE	COOPER TUBES D.6 X 8	4272415
7.	PP441	TUBE FOR VALVE, EXTERNAL EQUALIZATION	COOPER TUBES D.4 X 6	4272414
8.		WELDED VALVE THERMOSTAT.R404 TES/2		4251311
9.		VALVE BULB		
10.		ANTICONDENSATE TUBE	INSULATING SPONGE 6 X 22	4270505
11.		CAPILLARY TUBE	COOPER TUBES 1.8X3	4260206

### 1.1.2. BOTTOM BASIN ASSEMBLY



ITEM NUMBER	DOCUMENT NUMBER	TITLE	MATERIAL	PART NO. FOR MODULE
1.	PP178	WOOD SLIDE "ALPHA" H80 L. 720	SPRUCE WOOD	4321310
2.		LEFT FRAME		
3.		RIGHT FRAME		
4.	RGSD016	SUPPORT FOR BALLASTS PANEL TERMINAL BOARD	GALVANIZED SHEET 10/10	6SV072090010
5.	TT0J047	BASIN COVER PANNEL 135°I	PLAST. SHEET N12SM 6/10	6FI45I070005 (R)
6.		DRAIN D. 44	ABS	6FI45I070006 (L)
7.		BALLASTS HOLDER PANEL		4102106
8.		DRAIN NUT 1"1/2	ABS	2FI125090107
9.		DRAIN D. 20	ABS	4102101
10.		DRAIN NUT D. 20	ABS	4102101
11.		DRAIN 10124 1'1/2 GAS L.75 MM	ABS	4102132
12.		DRAIN NUT D. 44	ABS	4102106

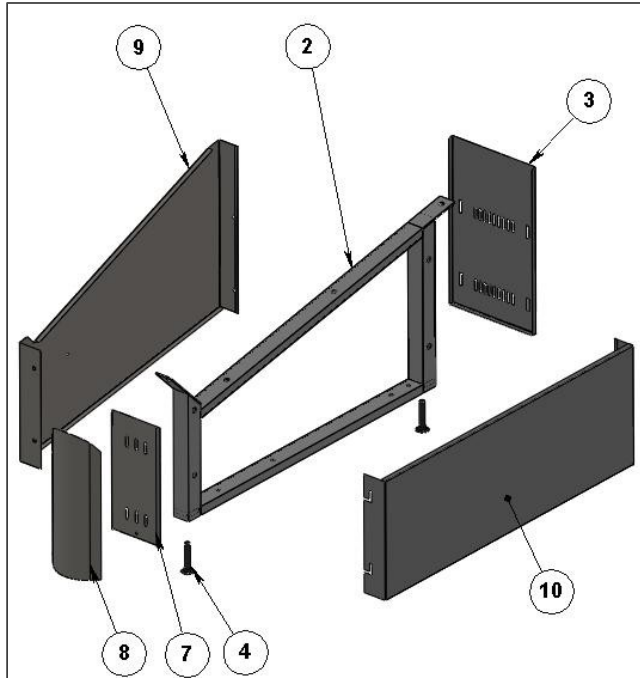
### 1.1.2.1. BALLASTS HOLDER PANEL



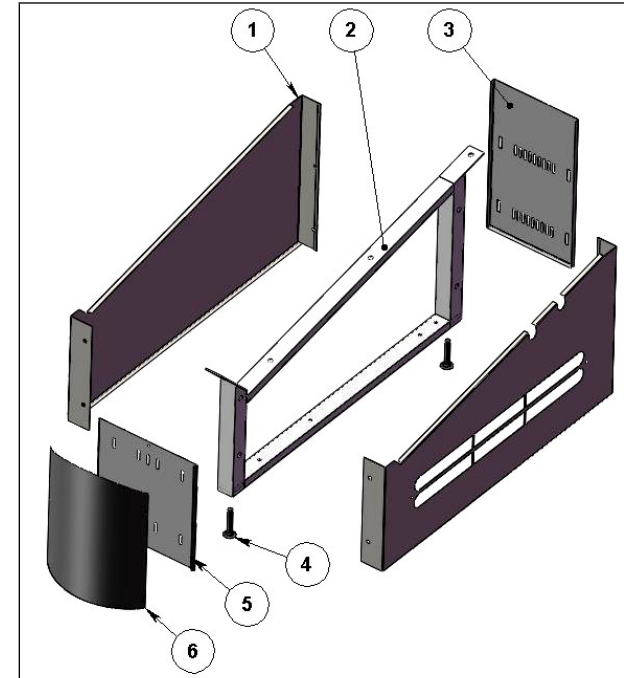
ITEM NUMBER	DOCUMENT NUMBER	TITLE	MATERIAL	PART NO. FOR MODULE
1.	TT0C001	BALLASTS HOLDER	IRON SHEET 10/10	6F1125090108
2.		BALLAST		18 - 20 W
				4115102

### 1.1.2.2. FRAME

LEFT

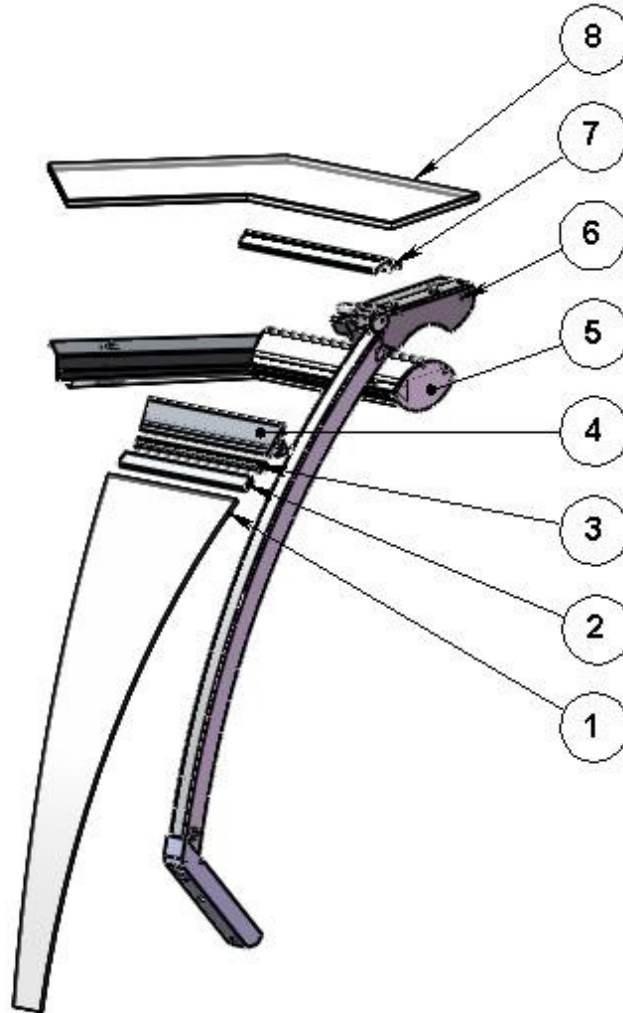


RIGHT



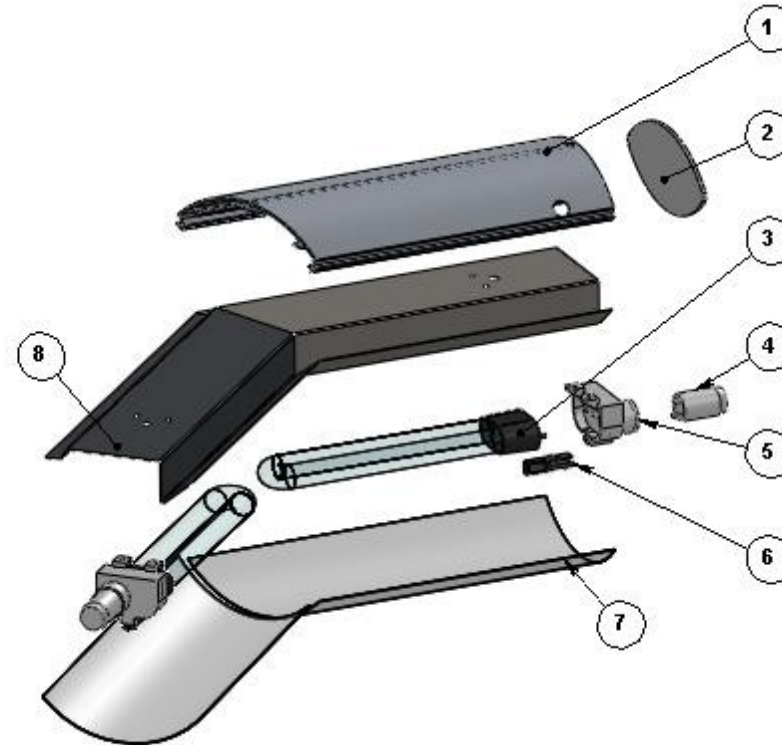
ITEM NUMBER	DOCUMENT NUMBER	TITLE	MATERIAL	PART NO. FOR MODULE
1.	TT0J003	UNDER BASIN DECORATION	PLASTICIZED SHEET 8/10	6F1125070004 (L) 6F1125070003 (R)
2.	TT0B006	FRAME	IRON TUBE	2F1125060001
3.	TT0J007	LEG BACK CLOSURE (P)	GREY PLASTICIZED SHEET 6/10	6F1125060002
4.		BOLT M12X45	GALVANIZED STEEL	
5.	TT0J005	FRONT DECORATION SUPPORT ANTHRAC.	PLASTICIZED SHEET 8/10	6F1125070002
6.	TT0J001	CAMBERED ANTHRAC. FRONT DECORATION	PLASTICIZED SHEET 8/10	6F1125070001
7.	TT0J053	DECORATION SUPPORT 45I SIDE WALL TERM.	PLASTICIZED SHEET 8/10	-
8.	TT0J052	CAMBERED FRONT DECORATION 45I SIDE WALL TERM.	PLASTICIZED SHEET 8/10	-
9.	TT0J054	UNDER BASIN DECORATION INTERNAL CORNER SIDE WALL TERM.	PLASTICIZED SHEET 8/10	-
10.	TT0J002	UNDER SIDE WALL DECORATION	PLASTICIZED SHEET 8/10	6F1125080012 (DX) 6F1125080013 (SX)

## 2. GLASSES SUPERSTRUCTURE



ITEM NUMBER	DOCUMENT NUMBER	TITLE	MATERIAL	PART NO. FOR MODULE
1.	RG045	GLASS 45I	FLOAT 6mm	4191472 (L)
2.		GLASS GASKET PROFILE	PVC	4180100
3.	TT0D031	JAW INSERT PROFILE	ALUMINIUM PROFILE E5628A	
4.	RG061.1	JAW PROFILE 45I	ALUMINIUM PROFILE	
5.		UPPER CEILING LAMP FI 45°I C.T.M		2FI45I030009
6.		LATERAL UPRIGHT		
7.	TT0D023	COVER PROFILE 45I	ALUMINIUM PROFILE	
8.		TOP GLASS 45I	FLOAT 10mm	4199913

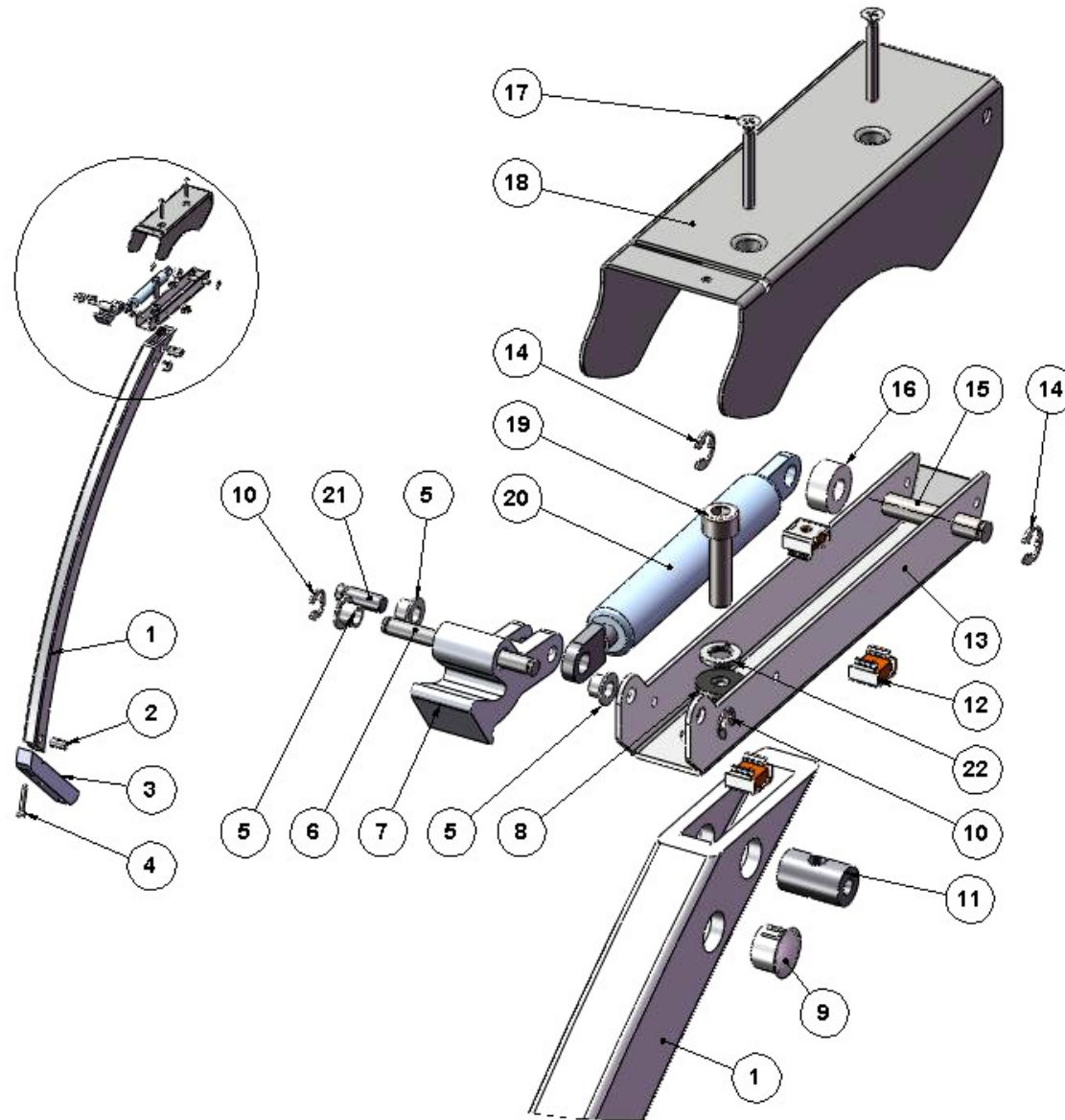
## 2.1. CEILING LAMP



ITEM NUMBER	DOCUMENT NUMBER	TITLE	MATERIAL	PART NO. FOR MODULE
1.	TT0E008	CEILING LAMP PROFILE	ALUMINIUM PROFILE	2FI90I030010 (R)
2.	CC0D023.1	CEILING LAMP HEAD	OPAL GLASS 3mm	4082305
3.		COMPACT LAMP DULUX L18W/76		4113623
4.		UNIVERSAL STARTER FS 11		4116001
5.		LAMPS HOLDER + STARTERS HOLDER 441/V-16		4114712
6.		LAMP STOP DEVICE "120"		4114713
7.	TT0E029	CEILING LAMP SHIELD POLYCARBONATE	POLYC. PLEX. LEXAN PC 2050X1250X0,75	6FI45E030032 (R) 6FI45E030052 (L)
8.	TT0E005	TOP LAMPS HOLDER	PLASTICIZED SHEET 8/10	6FI45I030031 (R) 6FI45I030051 (L)

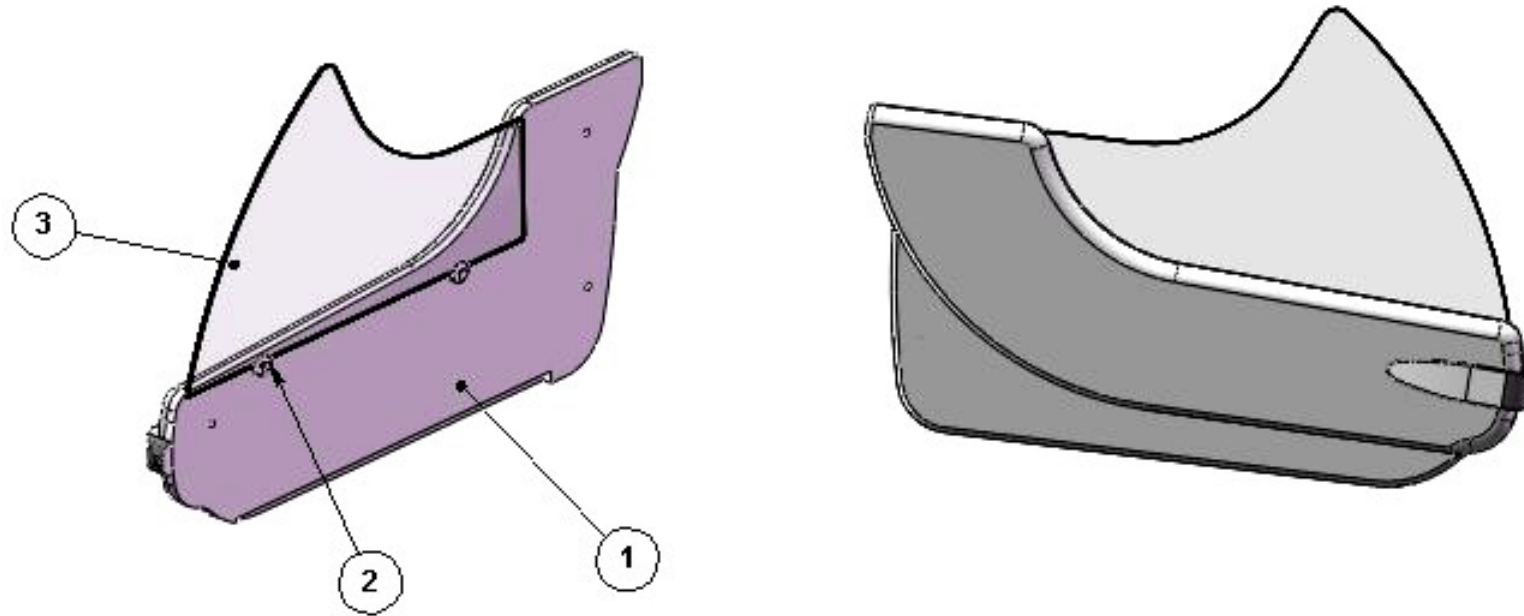


## 2.2. LATERAL UPRIGHT



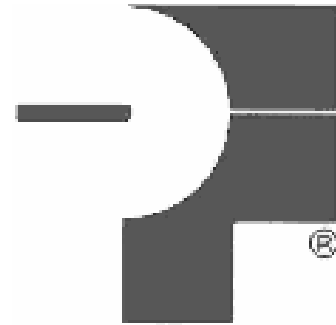
ITEM NUMBER	DOCUMENT NUMBER	TITLE	MATERIAL	PART NO. FOR MODULE
1.	TT0D002	CURVED FRONT UPRIGHT FIR.	ALLOY 6060 T5	4351209
2.	RG072	BACK GLASS UPRIGHT PIN "SIGMA" GALVANIZED	STEEL BAR Ø15	4140070
3.	CC0D010	GLASS UPRIGHT SUPPORT KREA	ALUMINIUM ALLOY 6060 (FLAT PROFILE 30X30)	4282116
4.		BOLT TCEI M8X50	GALVANIZED STEEL	
5.	ECAV 016	PISTON BUSH	NYLON	8291718
6.	TT0D003	LATERAL BACK PIN	GROUND DRAWN STEEL Ø6	4140085
7.	AV011	ROTATION LEVER PRESSOFUS	ALUMINIUM ALLOY	4282114 (L)
8.		PLAIN WASHER 8X24	GALVANIZED STEEL	4282113 (R)
9.		WHITE STOPPER DP500	PLASTIC	4333114
10.		SEGGER 5	GALVANIZED STEEL	8298303
11.	TT0D013	GLASS UPRIGHT PIN	STEEL BAR Ø15	4140088
12.		CAGE NUT M5		
13.	TT 0D001	LEVER SUPPORT	IRON SHEET 20/10	2FI125030013
14.		SEGGER 7	GALVANIZED STEEL	8298304
15.	TT0D005	LATERAL BACK PIN	GROUND DRAWN STEEL Ø8	4140086
16.		SPACER WITH HOLE DCS79B 6R	NYLON	
17.		BOLT TS+ M5X35	STAINLESS STEEL	
18.	TT0D007	LEVER COVER	IRON SHEET 15/10	2FI125030016 (L)
19.		BOLT TCEI M8X30	GALVANIZED STEEL	
20.		PISTON VS-SV R 1000	STAINLESS STEEL	4145020
21.	ECAV018	PISTON FRONT PIN	GROUND DRAWN STEEL Ø6	
22.		GROWER M8		

### 3. COMPLETE SIDE WALL



ITEM NUMBER	DOCUMENT NUMBER	TITLE	MATERIAL	PART NO. FOR MODULE
1.	TT0M001	SIDE WALL	POLYURETHANE Thickness 50mm	(L) (R)
2.		LATERAL GLASS BLOCK	PVC	4100313
3.	TT0M009	SIDE GLASS FIRENZE	FLOAT 6 mm	4190150





**pastorfrigor**<sub>spa</sub>

Regione Gabannone, 4 – Zona Industriale  
15030 TERRUGGIA (AL) ITALY  
Tel. +39 0142 433711  
Fax. +39 0142 433700