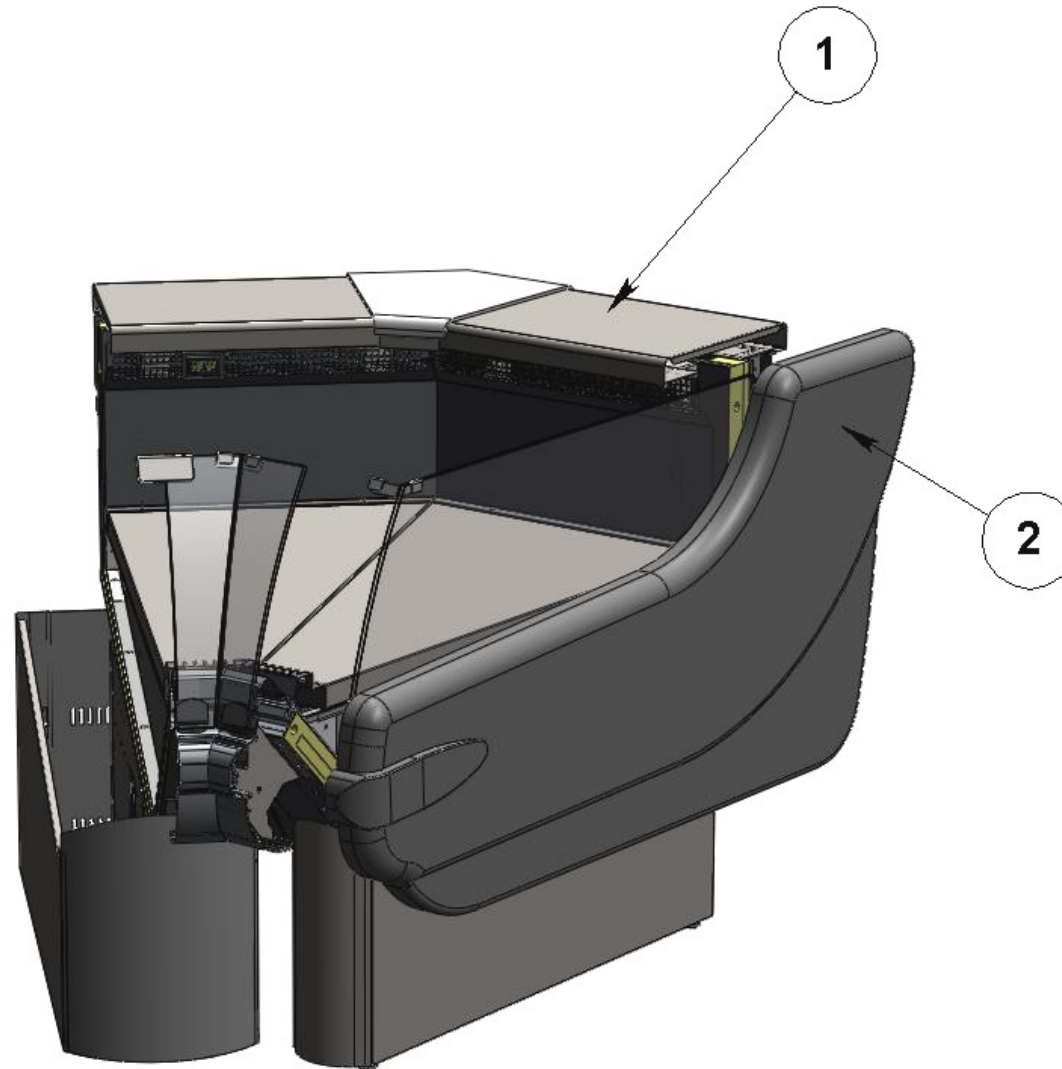




EXPLODED VIEW

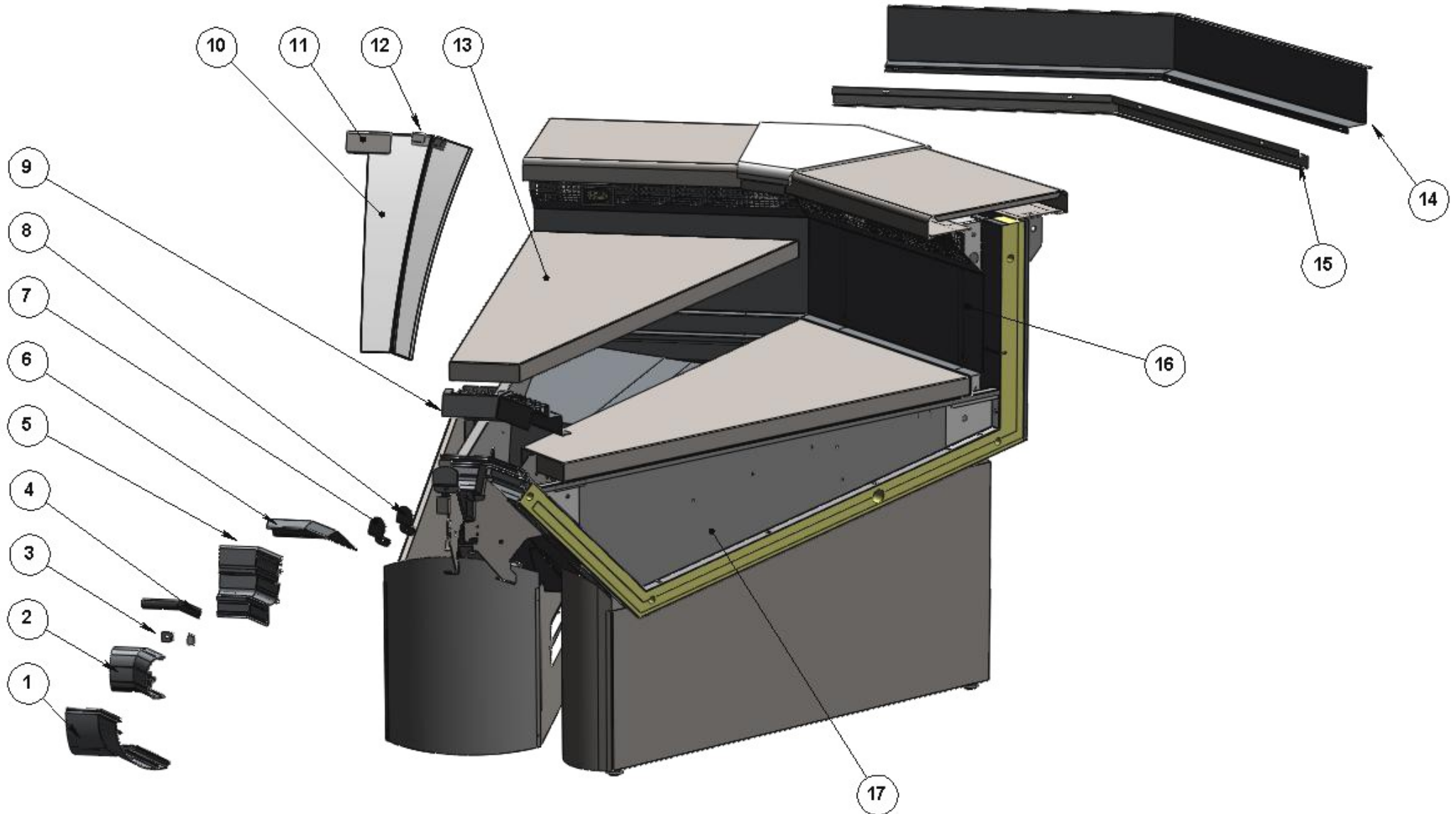
FIRENZE 45° INTERNAL CORNER SELF SERVICE



GENERAL SPLITTING UP

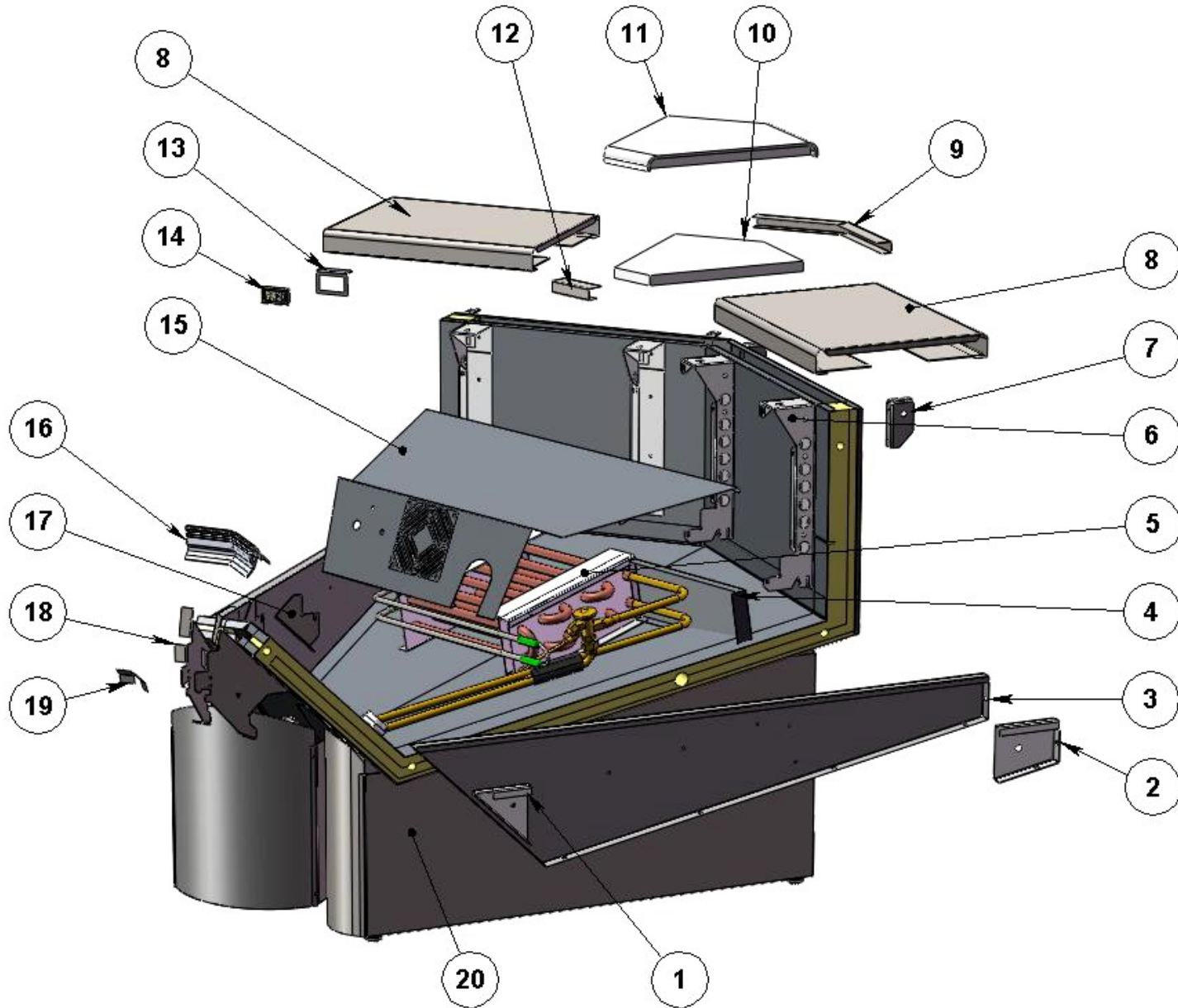
- 1. INTERNAL FINISH, FRONTAL DECORATION**
- 2. COMPLETE SIDE WALL**

1. INTERNAL FINISH, FRONTAL DECORATION



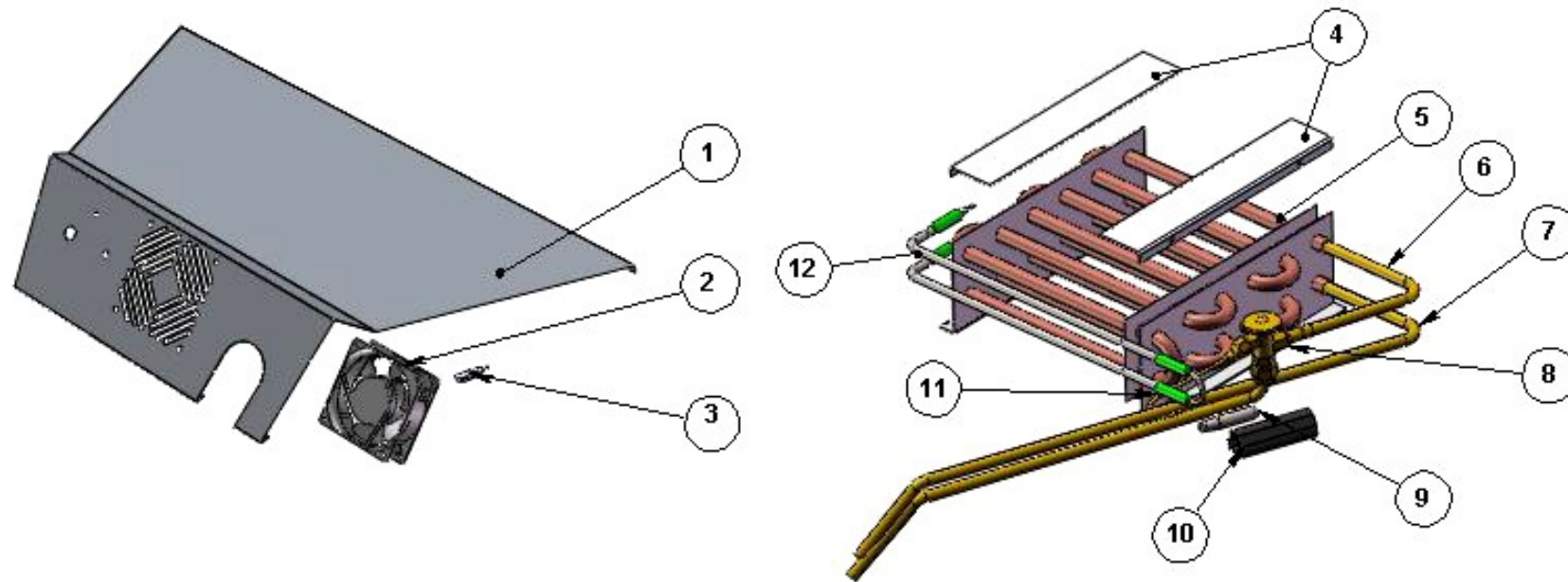
ITEM NUMBER	DOCUMENT NUMBER	TITLE	MATERIAL	PART NO. FOR MODULE
1.	TT0L014	UPPER DECORATION PROFILE	ALUMINIUM	2FI4510F0031 (DX)
				2FI4510F0051 (SX)
2.	TT0L012	BUMPER RAIL PROFILE	PVC	2FI4510F0029 (DX)
				2FI4510F0049 (SX)
3.	TT0L004	BUMPER RAIL COUPLER BRACKET		6FI1250F0008
4.		GLASS REBATE GUMMY PROFILE BETA BLACK P0391	PVC	4180403
5.	TT0L038	GLASS REBATE PROFILE		2FI4510F0027 (DX)
				2FI4510F0047 (SX)
6.	TT0G023	LATERAL UPRIGHT STOPPER	GREY PLAST. N1 6/10	6FI4510F0002 (DX)
				6FI4510F0003 (SX)
7.	RG126	FRONT GLASS FIXING BRACKET S/S	STAINLESS STEEL AISI304 15/10	6SV072030402
8.	RG126	BACK GLASS FIXING BRACKET S/S	STAINLESS STEEL AISI304 15/10	6SV072030403
9.	TT0G011	SUCTION GRID 135°I		6FI451040031 (DX)
				6FI451040051 (SX)
10.	RG131	FRONT GLASS SELF SERVICE 45I	FLOAT 6mm TRANSPARENTE	4191486 (DX)
				4191487 (SX)
11.	MP160	GLASS STOP MANOR SS	POLYCARBONATE	4081335
12.	CC0D045	GLASS STOP SS 45I	STAINLESS STEEL AISI304 15/10	-
13.		REMOVABLE PLATE EXTERNAL CORNER (ASSEMBLY)		2FI451040001 (DX)
				2FI451040003 (SX)
14.	TT0H012	BLIND WIREWAY	GREY PLAST. N1 6/10	6FI451010027 (DX)
				6FI451010047 (SX)
15.	PP102	SLIDING FOR ACCESSORY	STAINLESS STEEL AISI304 8/10	6PP451010009
16.	TT0G009	AIR OUTLET GRID 135°I	STAINLESS STEEL AISI304 8/10	6FI451040029 (DX)
				6FI451040049 (SX)
17.		BASIN INTERNAL FINISH		

1.1. BASIN INTERNAL FINISH



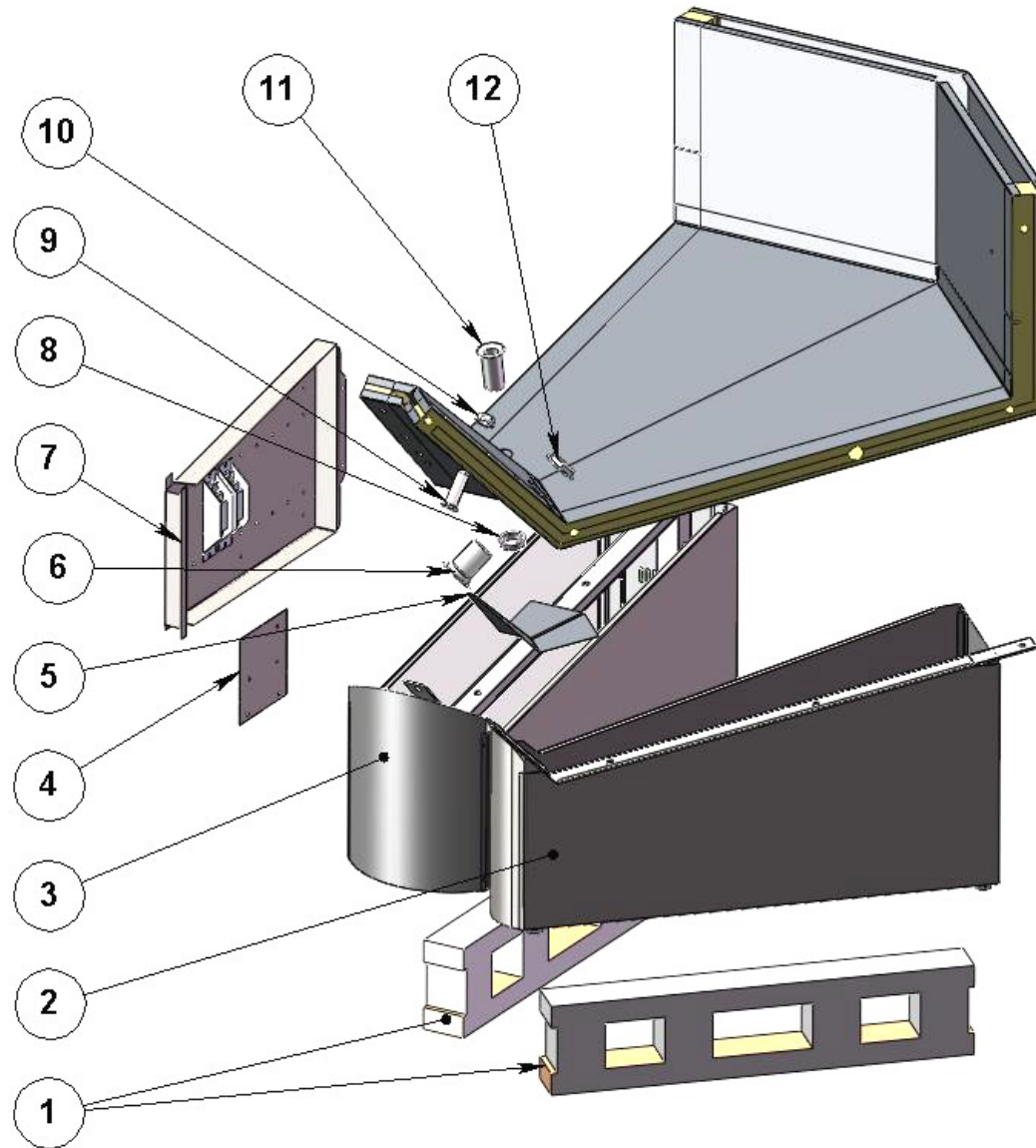
ITEM NUMBER	DOCUMENT NUMBER	TITLE	MATERIAL	PART NO. FOR MODULE
1.	RG034	SIDE WALL FIXING BRACKET	IRON SHEET 15/10	6SV072040039 (SX)
				6SV072040038 (DX)
2.	RG106	BACK STOPPER BRACKET	IRON SHEET 15/10	6SV072040041 (SX)
				6SV072040040 (DX)
3.	PP013	BASIN STOPPER	STAINLESS STEEL AISI304 5/10	6PP096040001 (SX)
				6PP096040000 (DX)
4.	PP179	LATERAL EVAPORATOR COVER 135°I.	WHITE PLAST. A1SA 6/10	6SV45I040006
5.		EVAPORATOR		
6.	TT0G006	BACK GRID SUPPORT BRACKET	IRON SHEET 15/10	6F1125040113 (SX)
				6F1125040112 (DX)
7.	TT0H004	BACK LEVEL SURFACE SUPPORT	IRON SHEET 20/10	6F1125010011 (SX)
				6F1125010009 (DX)
8.	PP061	STAINLESS STEEL PLAIN	STAINLESS STEEL AISI304 7/10	6PP45I010002
9.	PP211	BACK PLAST. STAINLESS STEEL CLOSURE 45E	STAINLESS STEEL AISI304 DEC9 BA + PRO + SAT80 H435X 7/10	6PP45E010007
10.	PP210	PLAST. STOPPER INT. CORNER ALPHA	POLYETHYLENE Thickness 18mm	4081128
11.	PP062	JUNCTION PLANES FOR CORNERS	POLYETHYLENE Thickness 25mm	4081121
12.	PP211	FRONT PLAST. STAINLESS STEEL CLOSURE 45E	STAINLESS STEEL AISI304 DEC9 BA + PRO + SAT80 H435X7/10	6PP45E010008
13.	TT0C002	LIQUID CRYSTAL THERM-HOLDER	STAINLESS STEEL AISI304 15/10	6F1125020007
14.		DIGITAL TERMOMETER		4131307
15.		FANS-HOLDER		
16.	TT0G015	PROF.SUP.DEFL.135°I	ATOXIC PVC PROFILE GLASS DEFL.4400 0G 001	2FI45I040027 (DX)
				2FI45I040047 (SX)
17.	TT0G007	GREY FRONT SUPPORT BRACKET	STAINLESS STEEL AISI304 15/10	6F1125040014 (DX)
				6F1125040015 (SX)
18.	TT0L001	BACK PANEL SUPPORT BRACKET	GALVANIZED SHEET 15/10	6F11250F0001
19.	TT0L022	PST STOPPER SUPPORT	GALVANIZED SHEET SKIMPAS 7/10	6F11250F0012
20.		BODY BOTTOM ASSEMBLY		

1.1.1. FANS HOLDER. EVAPORATOR



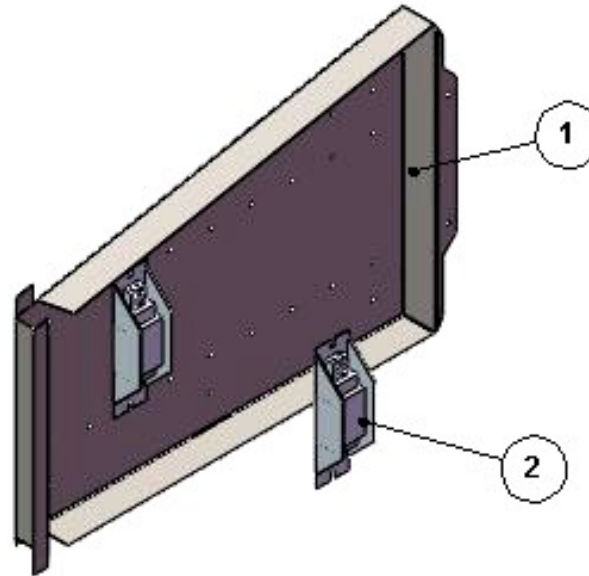
ITEM NUMBER	DOCUMENT NUMBER	TITLE	MATERIAL	PART NO. FOR MODULE
1.	PP179	EVAPORATOR COVER 135°INT CORNER	STAINLESS STEEL AISI 304 6/10	6SV451040005
2.		MOTORFAN "PP" 4715 MS23TB10 A00		4241007
3.		CABLE CONNECTOR L. 1525 MM		4110606
4.	CC0F012	EVAPORATOR COVER SUPPORT BRACKET	SILVER PLATED +PLASTICIZED ALUMINIUM 20/10	6PP096040036
5.		EVAPORATOR KING V. 135 E - I COATED	COOPER TUBES - ALUMINIUM SHEETS	4220300
6.	PP440	TUBE FOR VALVE, LIQUID LINE	COOPER TUBES D.6 X 8	4272415
7.	PP441	TUBE FOR VALVE, EXTERNAL EQUALIZATION	COOPER TUBES D.4 X 6	4272414
8.		WELDED VALVE THERMOSTAT.R404 TES/2		4251311
9.		VALVE BULB		
10.		ANTICONDENSATE TUBE	INSULATING SPONGE 6 X 22	4270505
11.		CAPILLARY TUBE	COOPER TUBES 1.8X3	4260206
12.	RG179	DEFROSTING RESISTOR D8.5		4122101

1.1.2. BOTTOM BASIN ASSEMBLY



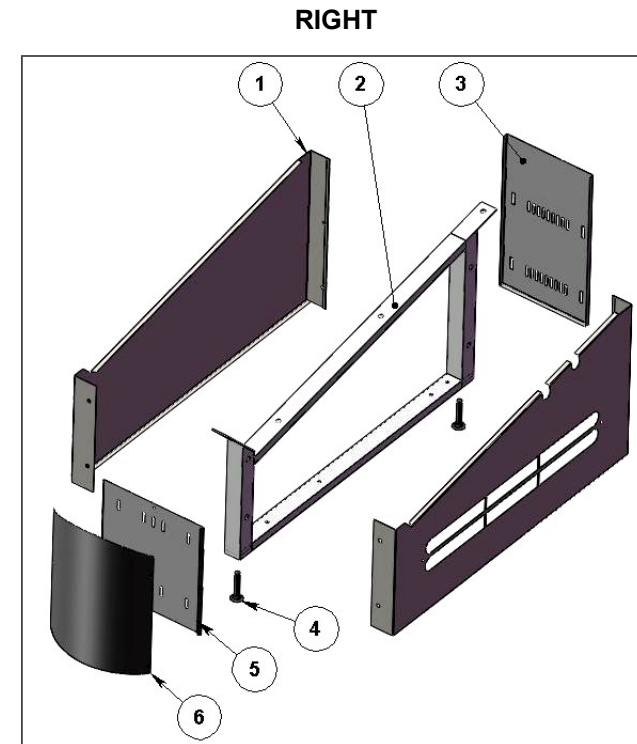
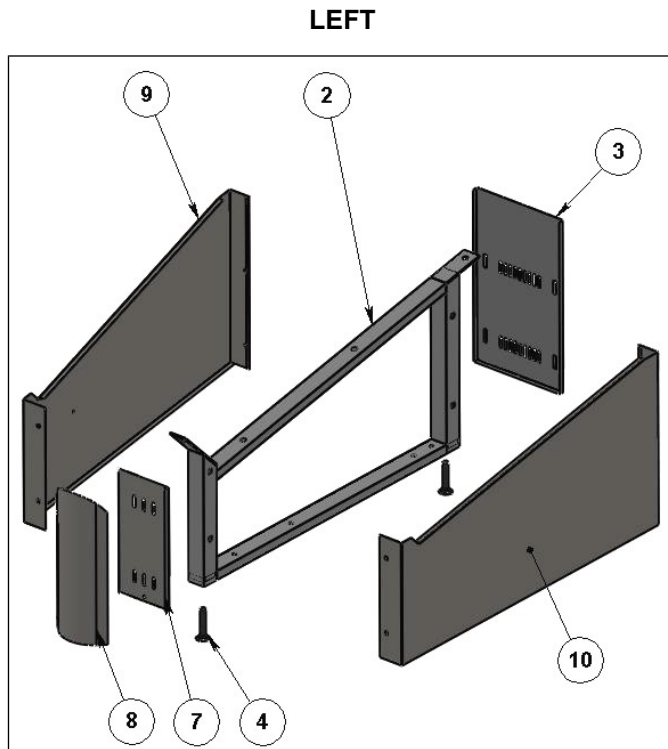
ITEM NUMBER	DOCUMENT NUMBER	TITLE	MATERIAL	PART NO. FOR MODULE
1.	PP178	WOOD SLIDE "ALPHA" H80 L. 720	SPRUCE WOOD	4321310
2.		LEFT FRAME		
3.		RIGHT FRAME		
4.	RGSD016	SUPPORT FOR BALLASTS PANEL TERMINAL BOARD	GALVANIZED SHEET 10/10	6SV072090010
5.	TT0J047	BASIN COVER PANNEL 135°I	PLAST. SHEET N12SM 6/10	6FI45I070005 (DX)
6.		DRAIN D. 44	ABS	6FI45I070006 (SX)
7.		BALLASTS HOLDER PANEL		4102106
8.		DRAIN NUT 1"1/2	ABS	2FI125090107
9.		DRAIN D. 35	ABS	
10.		DRAIN NUT D. 35	ABS	
11.		DRAIN 10124 1"1/2 GAS L.75 MM	ABS	4102132
12.		DRAIN NUT D. 44	ABS	4102106

1.1.2.1. BALLASTS HOLDER PANEL



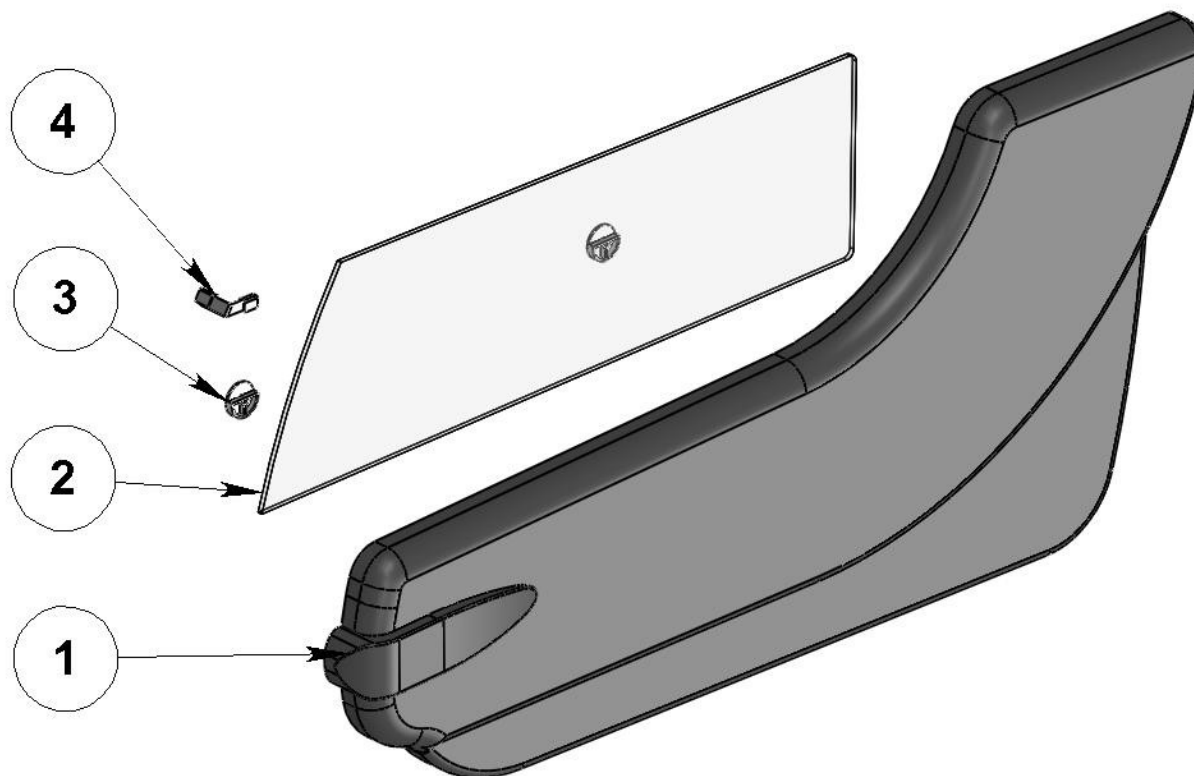
ITEM NUMBER	DOCUMENT NUMBER	TITLE	MATERIAL	PART NO. FOR MODULE
1.	TT0C001	BALLASTS HOLDER	IRON SHEET 10/10	6F1125090108
2.		BALLAST		18 – 20 W
				4115102

1.1.2.2. FRAME

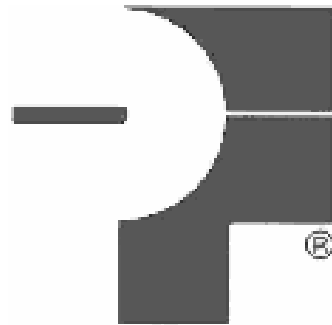


ITEM NUMBER	DOCUMENT NUMBER	TITLE	MATERIAL	PART NO. FOR MODULE
1.	TT0J002	UNDER BASIN DECORATION	PLASTICIZED SHEET 8/10	6F1125080012 (DX) 6F1125080013 (SX)
2.	TT0B006	FRAME	IRON TUBE	2F125060001
3.	TT0J007	LEG BACK CLOSURE (P)	GREY PLASTICIZED SHEET 6/10	6F1125060002
4.		BOLT M12X45	GALVANIZED STEEL	
5.	TT0J005	FRONT DECORATION SUPPORT ANTHRAC.	PLASTICIZED SHEET 8/10	6F1125070002
6.	TT0J001	CAMBERED ANTHRAC. FRONT DECORATION	PLASTICIZED SHEET 8/10	6F1125070001
7.	TT0J053	DECORATION SUPPORT 45I SIDE WALL TERM.	PLASTICIZED SHEET 8/10	-
8.	TT0J052	CAMBERED FRONT DECORATION 45I SIDE WALL TERM.	PLASTICIZED SHEET 8/10	-
9.	TT0J054	UNDER BASIN DECORATION INTERNAL CORNER SIDE WALL TERM.	PLASTICIZED SHEET 8/10	-
10.	TT0J003	UNDER SIDE WALL DECORATION	PLASTICIZED SHEET 8/10	6F1125070004 (SX)

2. COMPLETE SIDE WALL



ITEM NUMBER	DOCUMENT NUMBER	TITLE	MATERIAL	PART NO. FOR MODULE
1.	TT0M001	SIDE WALL	POLYURETHANE Thickness 50mm	
2.	TT0M008	SIDE GLASS FIRENZE SELF-SERVICE	FLOAT 6 mm	4190307
3.		LATERAL GLASS BLOCK	PVC	4100313
4.	ETOM004	FRONT GLASS SS – SIDE WALL BRACKET	STAINLESS STEEL AISI304 15/10	6DV120032002 (SX)



pastorfrigor^{Spa}

Regione Gabannone, 4 – Zona Industriale
15030 TERRUGGIA (AL) ITALY
Tel. +39 0142 433711
Fax. +39 0142 433700