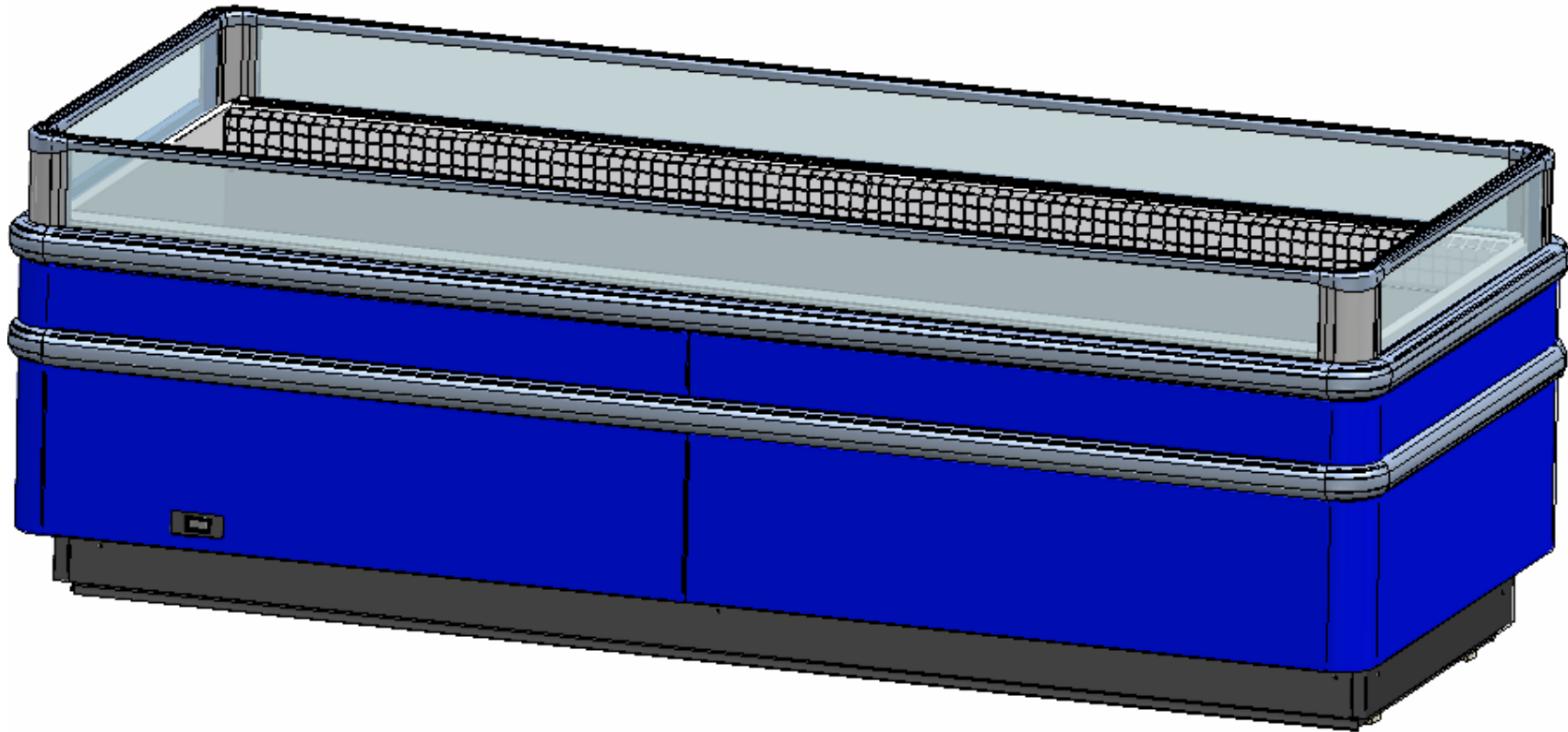




EXPLODED VIEW

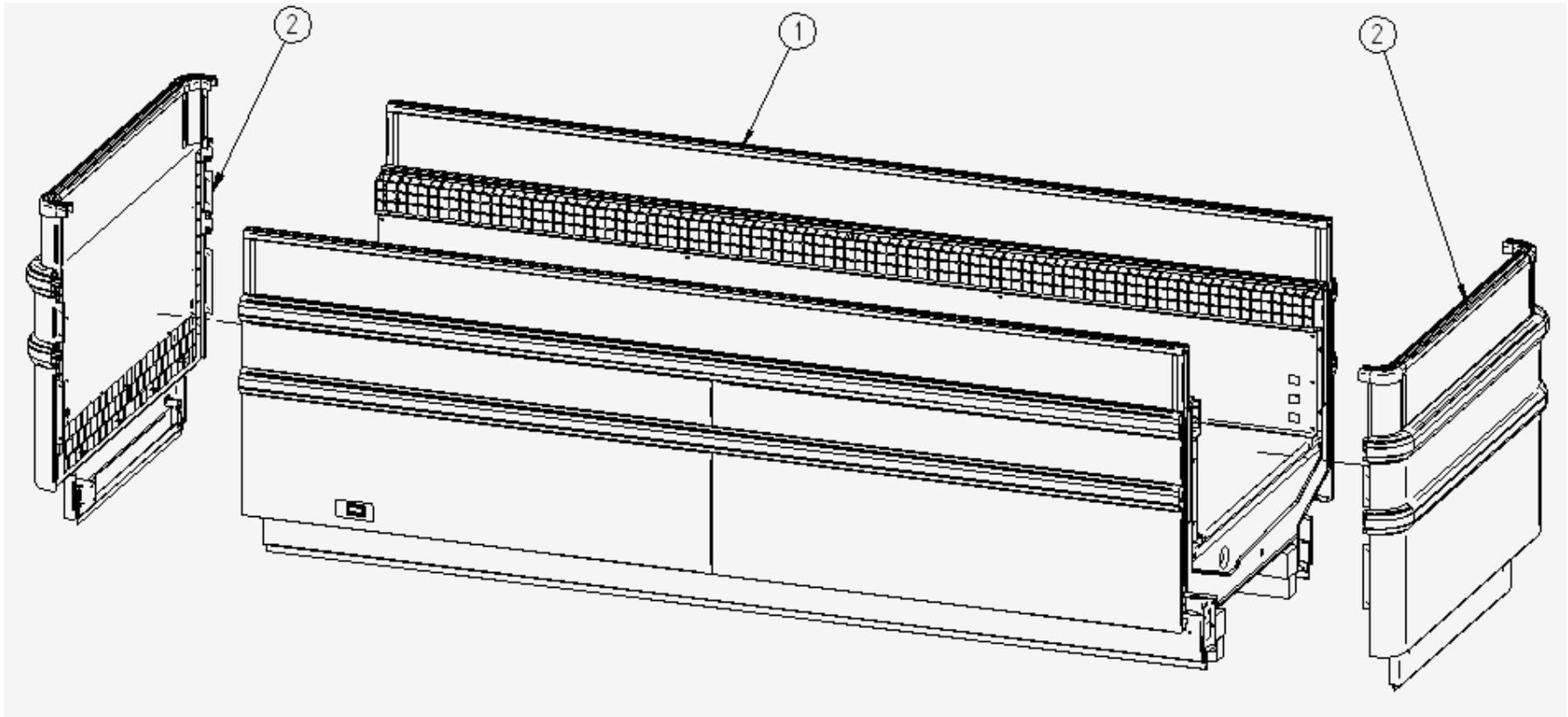
SICILIA



EXPLODED VIEW

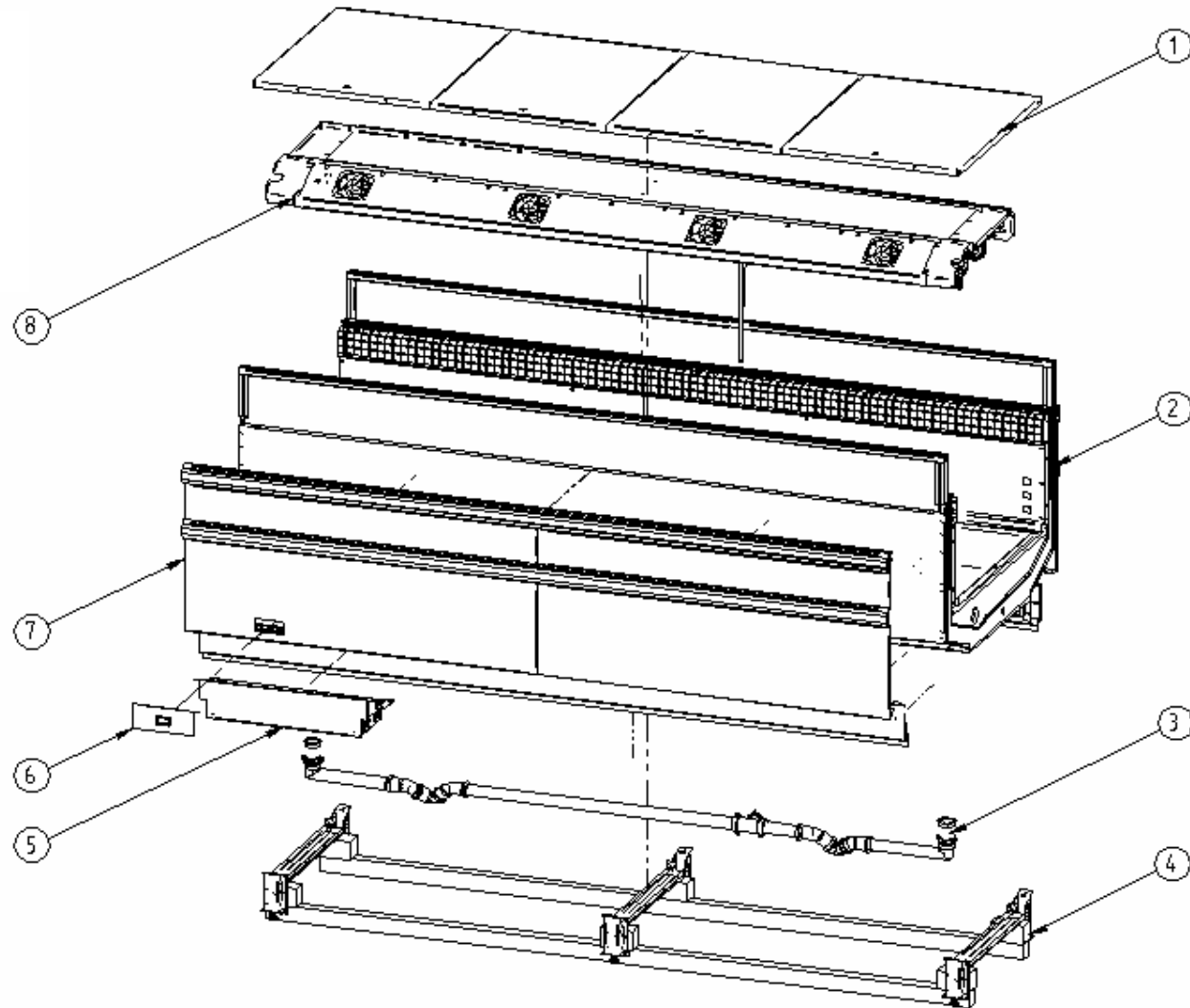
GENERAL SPLITTING UP

1. INTERNAL FINISH
2. COMPLETE SIDE WALL

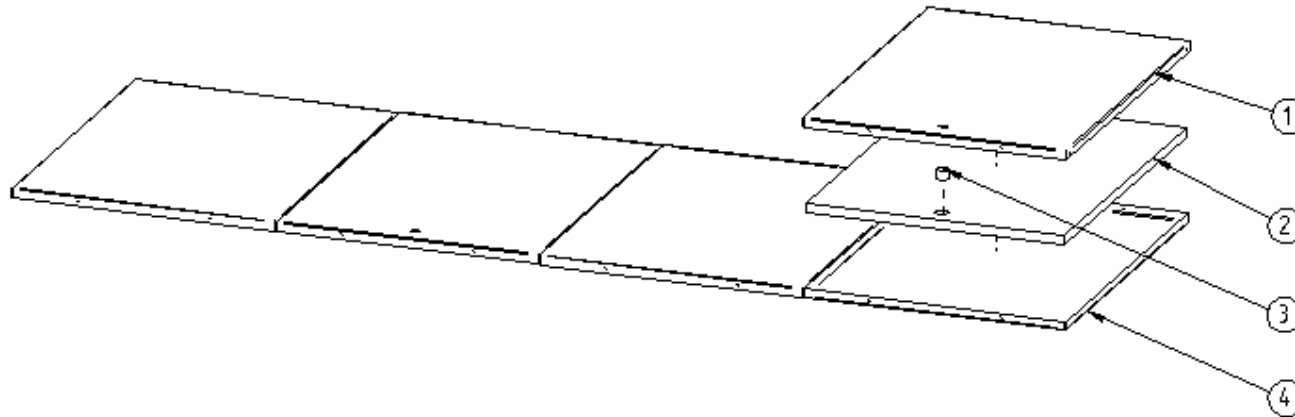


1. INTERNAL FINISH

- 1.1 DISPLAY AREA
- 1.2 INTERNAL FINISH
- 1.3 DRAIN
- 1.4 FRAME
- 1.5 ELECTRIC CONTROL BOARD
- 1.6 CONTROL PANEL
- 1.7 DECORATION
- 1.8 REFRIGERATION

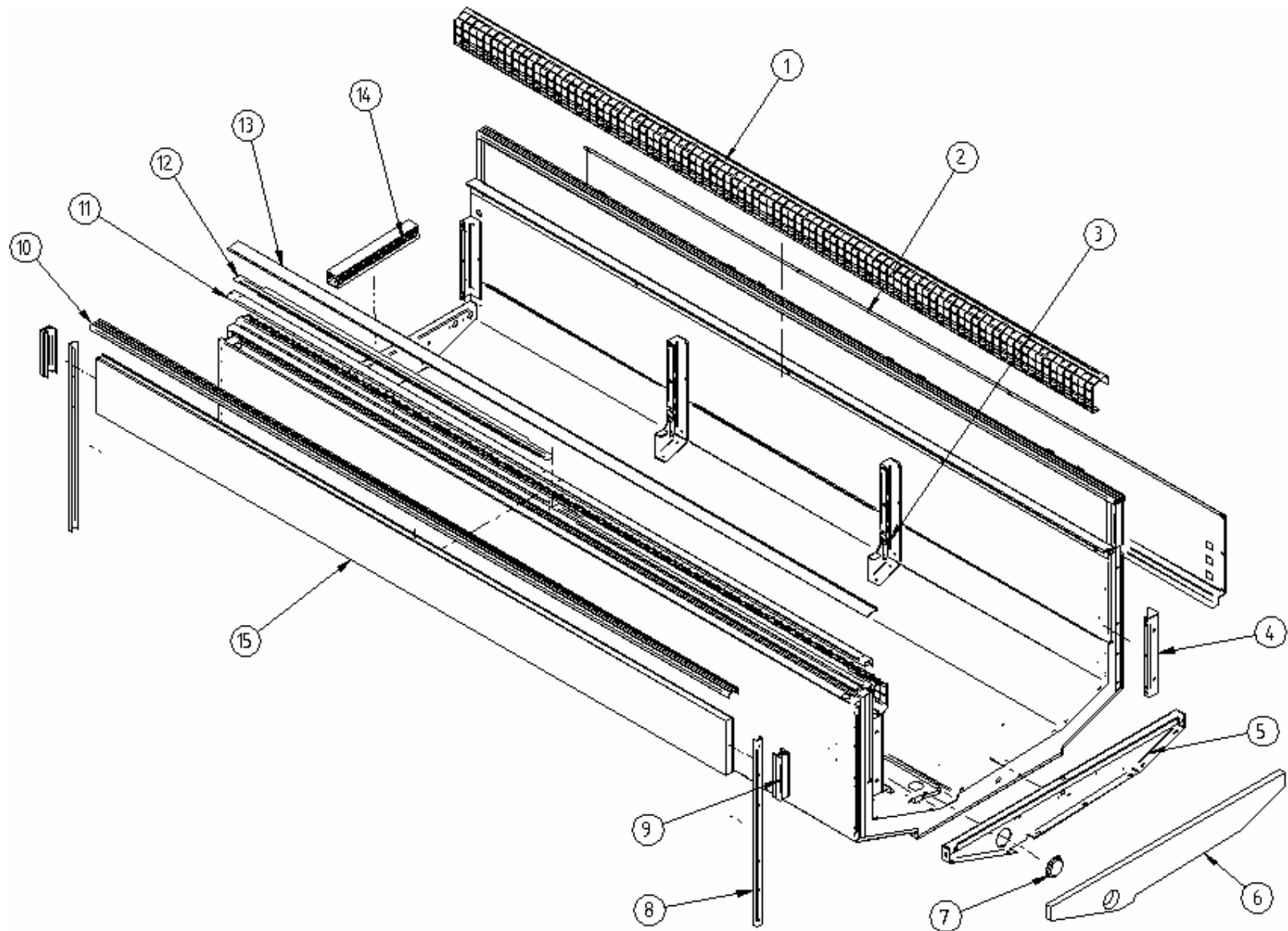


1.1 DISPLAY AREA



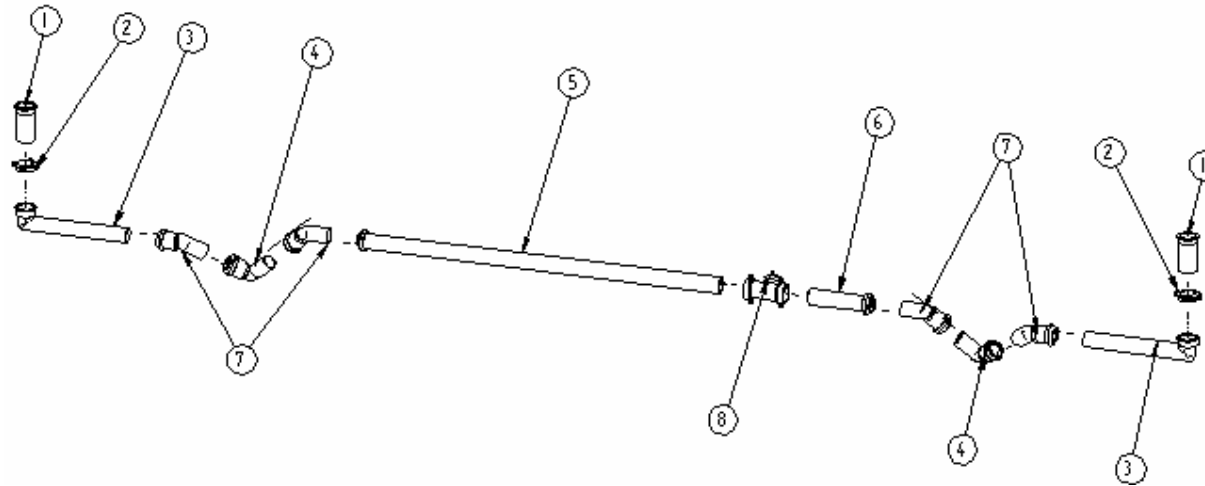
| ITEM NUMBER | DOCUMENT NUMBER | TITLE | MATERIAL | PART NO. FOR EACH MODULE | | |
|-------------|-----------------|-------------------------------------|-------------------------------|--------------------------|--------------|--------------|
| | | | | 1875 BT P110 | 2500 BT P110 | 3750 BT P110 |
| 1 | ISK001 | PLATE 625 P110 WITHOUT HOLE PAINTED | GALVANIZED SHEET 10/10 | 2C-1870A0002 | | |
| | | PLATE 625 P110 WITH HOLE PAINTED | | 2C-1870A0004 | | |
| 2 | ISK006 | PLATE INSULATION 625 P110 | PST D30 Thickness 20 mm | 4080681 | | |
| 3 | ISK007 | TUBE FOR PLATE HOLE | PVC TUBE D.32 CM.300 | 2C-1870A0005 | | |
| 4 | ISK003 | SUBPLATE 625 P110 | GALVANIZED SHEET SKIMPAS 7/10 | 6C-1870A0006 | | |

1.2 INTERNAL FINISH



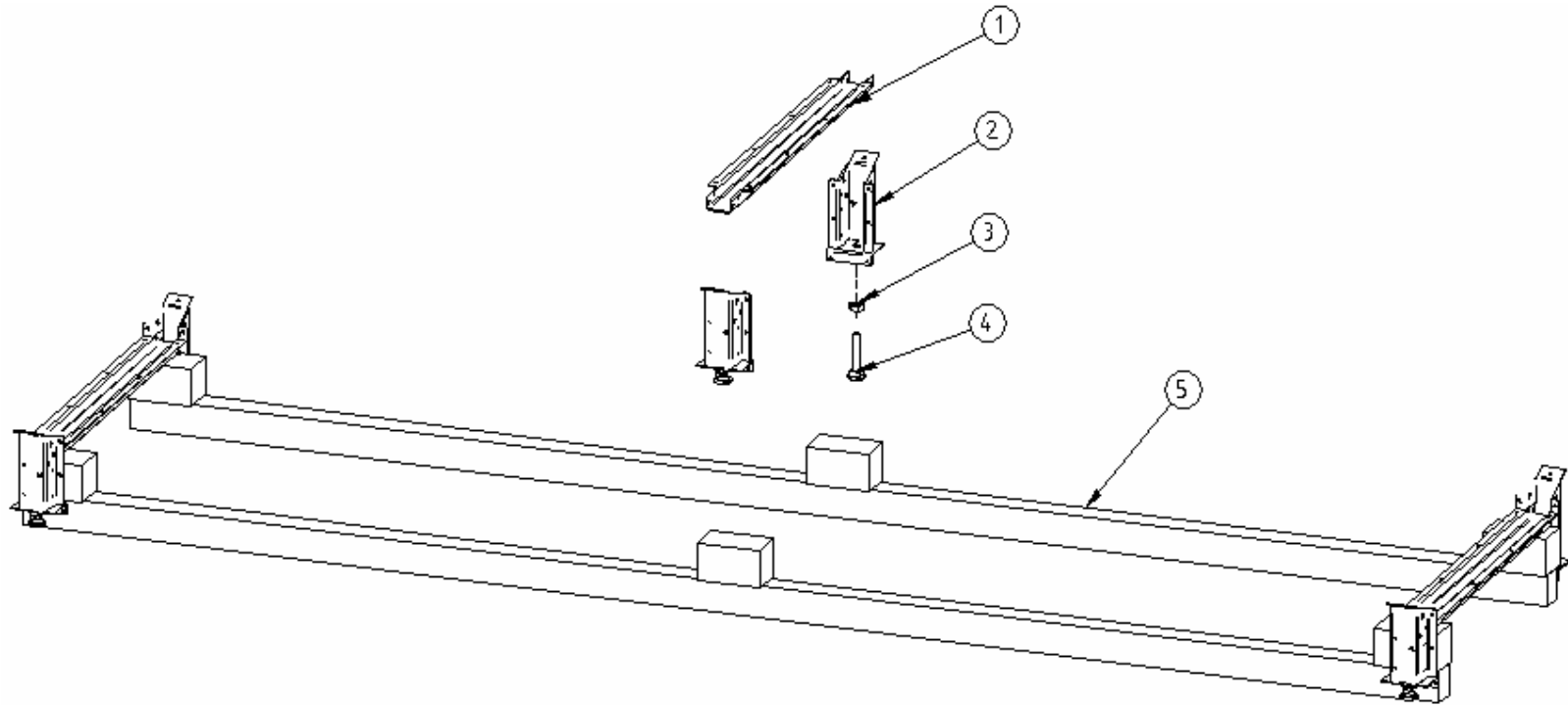
| ITEM NUMBER | DOCUMENT NUMBER | TITLE | MATERIAL | PART NO. FOR EACH MODULE | | |
|-------------|-----------------|---|-----------------------------------|--------------------------|--------------|--------------|
| | | | | 1875 BT P110 | 2500 BT P110 | 3750 BT P110 |
| 1 | ISG022-SC | AIR OUTLET GRID 2497 PAINTED | GALVANIZED SHEET 10/10 | 2H-187040009 | 2H-250040009 | 2H-375040009 |
| 2 | ISG008-SC | INTERNAL MASK PAINTED | GALVANIZED SHEET 10/10 | 2H-187040013 | 2H-250040013 | 2H-375040013 |
| 3 | ISG007-SC | INTERNAL BASIN SUPPORT BRACKET PAINTED | | 2H-187040004 | | |
| 4 | ISG021-SC | BACK-FRONT BRACKET | GALVANIZED SHEET 25/10 | | | |
| 5 | ISG006 | RIGHT STOPPER | GALVANIZED SHEET 20/10 | 6C-187040001 | | |
| | | LEFT STOPPER | | 6C-187040002 | | |
| 6 | ISG019 | STOPPER INSULATION | POLYSTYRENE D30 Kg/m ³ | 4080683 | | |
| 7 | 1A-014 | PROTECTION SUBSTOPPER | PLASTIC ST60 | 4333113 | | |
| 8 | ISD001 | LATERAL CLOSURE GLASS CHAMBER SUPPORT | GALVANIZED SHEET 20/10 | 6C-187040032 | | |
| 9 | ISD004-SC | CHAMBER GLASS PVC PROFILE | ALP 31 PROFILE | 2H-187040033 | | |
| 10 | ISD005 | CHAMBER GLASS RAIL-HAND PROFILE | NATURAL SILVER ANODIZED ALUMINIUM | 2C-187040035 | 2C-250040035 | 2C-375040035 |
| 11 | ISG001-SC | AIR OUTLET RESISTOR COVER | GALVANIZED SHEET SKIMPAS 7/10 | 2H-187040039 | 2H-250040039 | 2H-375040039 |
| 12 | ISK005-SC | PRICE HOLDER SUPPORT | GALVANIZED SHEET 7/10 | 6H-1870A0007 | 6H-2500A0007 | 6H-1870A0007 |
| 13 | ISD006 | COEXTRUDED PRICE HOLDER PROFILE | PVC PROFILE WHITE AND TRANSPARENT | 2C-1870A0008 | 2C-2500A0008 | 2C-3750A0008 |
| 14 | | WIREWAY PVC 40 X 40 | PVC | 4110408 | | |
| 15 | ISD003-SC | CHAMBER GLASS HARDENED 246,6X18,4 SICILIA | | 4190278 | | |

1.3 DRAIN



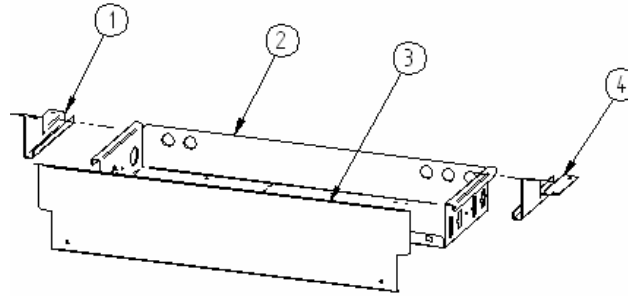
| ITEM NUMBER | DOCUMENT NUMBER | TITLE | MATERIAL | PART NO. FOR EACH MODULE | | |
|-------------|-----------------|-------------------------------------|----------|--------------------------|--------------|--------------|
| | | | | 1875 BT P110 | 2500 BT P110 | 3750 BT P110 |
| 1 | | DRAIN 33590 1'1/2 GAS L.95 MM | | 4102133 | | |
| 2 | | DRAIN NUT 1'1/2 | | | | |
| 3 | | "ALPHA" CURVE D40 2431 FINISH | ABS | 4102164 | | |
| 4 | | HTB D.40 - 87° ELBOW | ABS | 4102157 | | |
| 5 | ISI002 | LEFT DRAIN SOCKET PIPE | | | | |
| 6 | ISI002 | RIGHT DRAIN SOCKET PIPE | | | | |
| 7 | | HTB D.40 - 45° ELBOW "ALPHA" 802 | ABS | 4102168 | | |
| 8 | | TEE FINISH "ALPHA" 40 2403 SMOOTHED | ABS | 4102166 | | |

1.4 FRAME



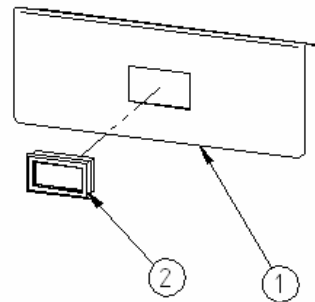
| ITEM NUMBER | DOCUMENT NUMBER | TITLE | MATERIAL | PART NO. FOR EACH MODULE | | |
|-------------|-----------------|-------------------------------|------------------------|--------------------------|--------------|--------------|
| | | | | 1875 BT P110 | 2500 BT P110 | 3750 BT P110 |
| 1 | ISB002-P110 | FRAME WEIR P110 | GALVANIZED SHEET 20/10 | 6C-187000014 | | |
| 2 | ISB001 | PAINTED FRAME RISER 7016 | GALVANIZED SHEET 20/10 | 2C-187000013 | | |
| 3 | | NUT M14 | GALVANIZED IRON | | | |
| 4 | 1A-003 | GALVANIZED SCREW TTQST M12X80 | GALVANIZED STEEL | 4331411 | | |
| 5 | ISB006 | HANDLING SLIDE 2500 | WOOD | 4321462 | 4321365 | |

1.5 ELECTRONIC CONTROL BOARD



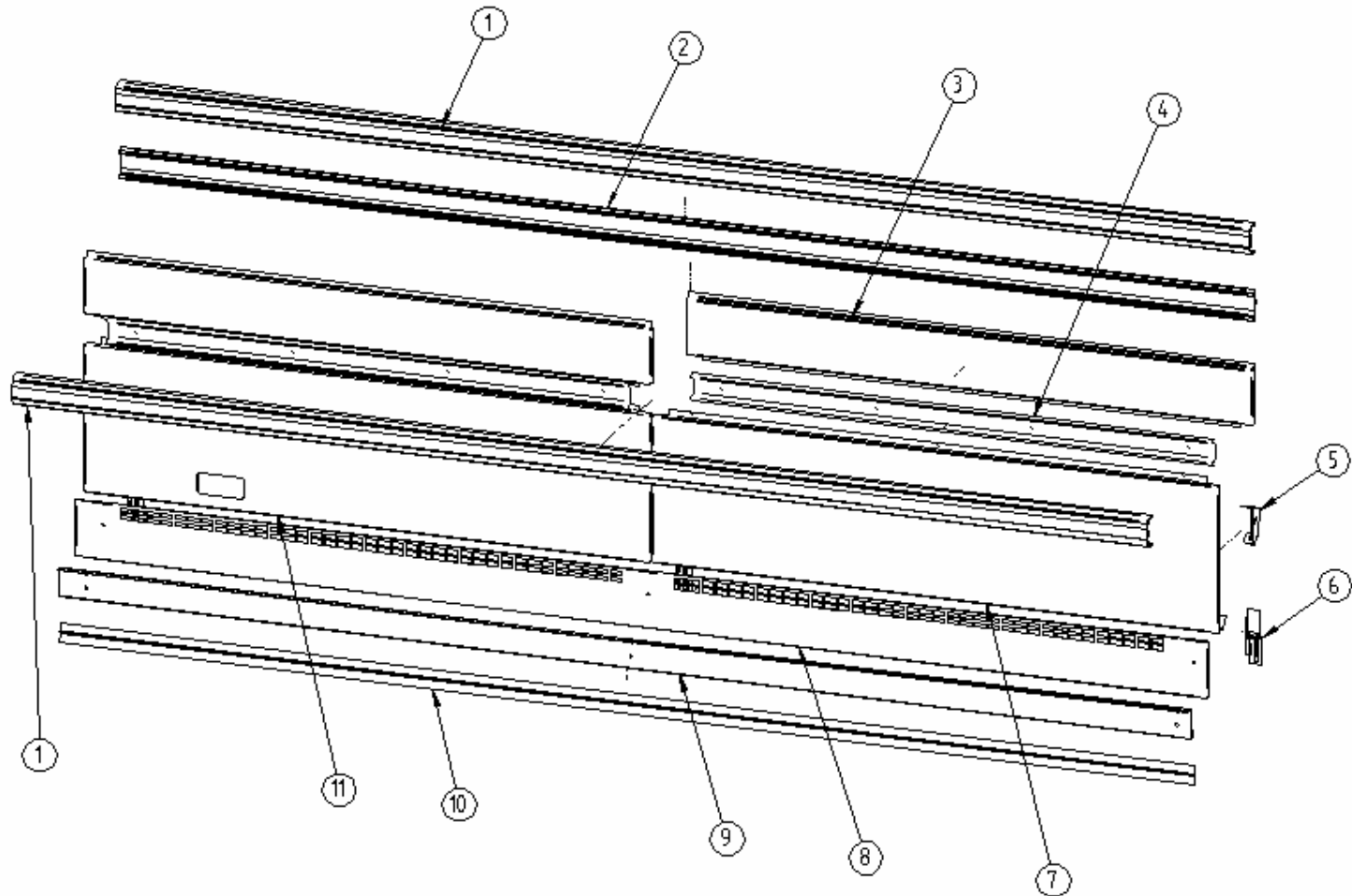
| ITEM NUMBER | DOCUMENT NUMBER | TITLE | MATERIAL | PART NO. FOR EACH MODULE | | |
|-------------|-----------------|--|------------------|--------------------------|--------------|--------------|
| | | | | 1875 BT P110 | 2500 BT P110 | 3750 BT P110 |
| 1 | ISC002 | LEFT ELECTRONIC CONTROL BOARD SUPPORT BRACKET | IRON SHEET 10/10 | 6C-187020006 | | |
| 2 | ISC002 | RIGHT ELECTRONIC CONTROL BOARD SUPPORT BRACKET | IRON SHEET 10/10 | 6C-187020005 | | |
| 3 | ISC004 | CLOSURE FOR ELECTRONIC CONTROL BOARD | IRON SHEET 10/10 | 6C-187020007 | | |
| 4 | ISC003 | ELECTRIC COMPONENTS BOARD | IRON SHEET 10/10 | | | |

1.6 CONTROL PANEL



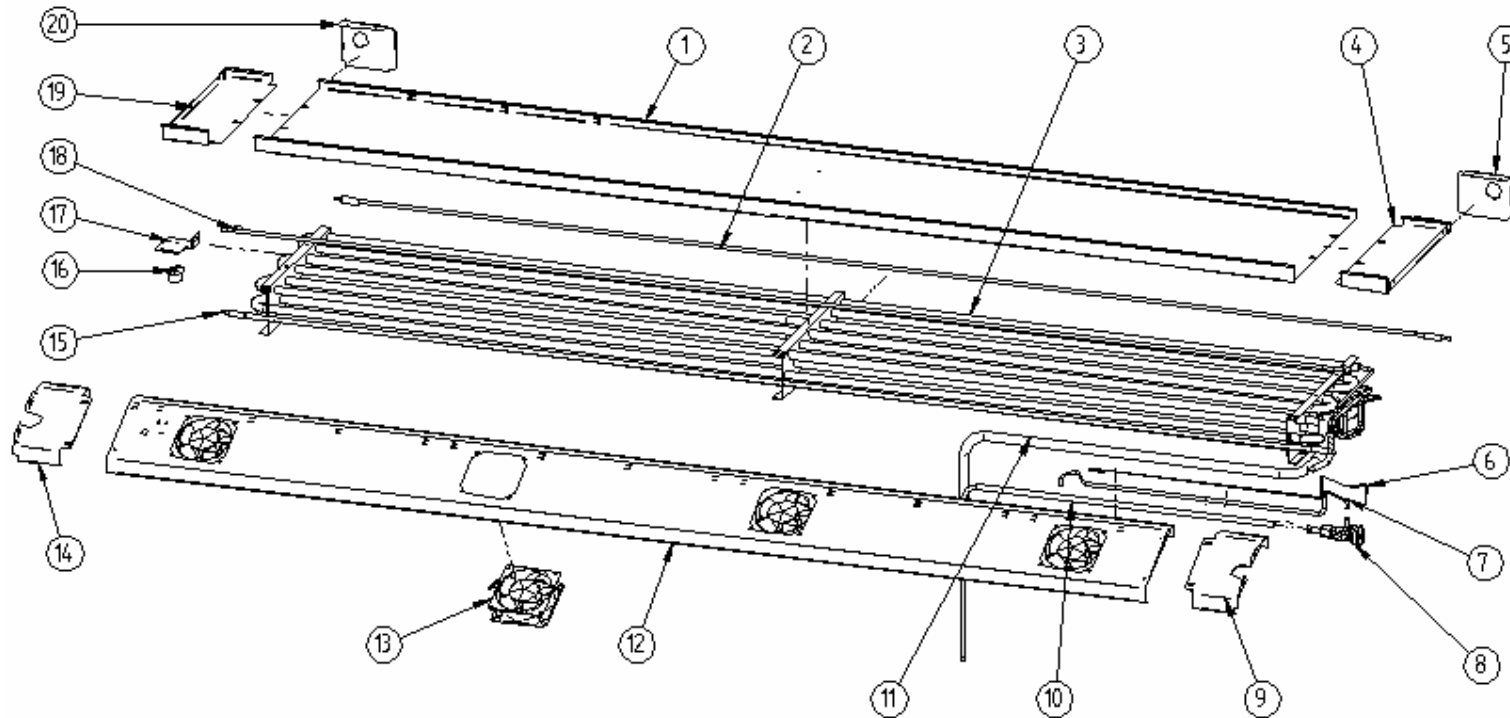
| ITEM NUMBER | DOCUMENT NUMBER | TITLE | MATERIAL | PART NO. FOR EACH MODULE | | |
|-------------|-----------------|---|-----------------|--------------------------|--------------|--------------|
| | | | | 1875 BT P110 | 2500 BT P110 | 3750 BT P110 |
| 1 | ISC017 | LCD THERMOM. SUPP. TERMINAL BOARD VERSION | IRON SHEET 8/10 | 6C-187020004 | | |
| 2 | | DIGITAL THERMOMETER CC10030000-A | | 4131307 | | |

1.7 DECORATION



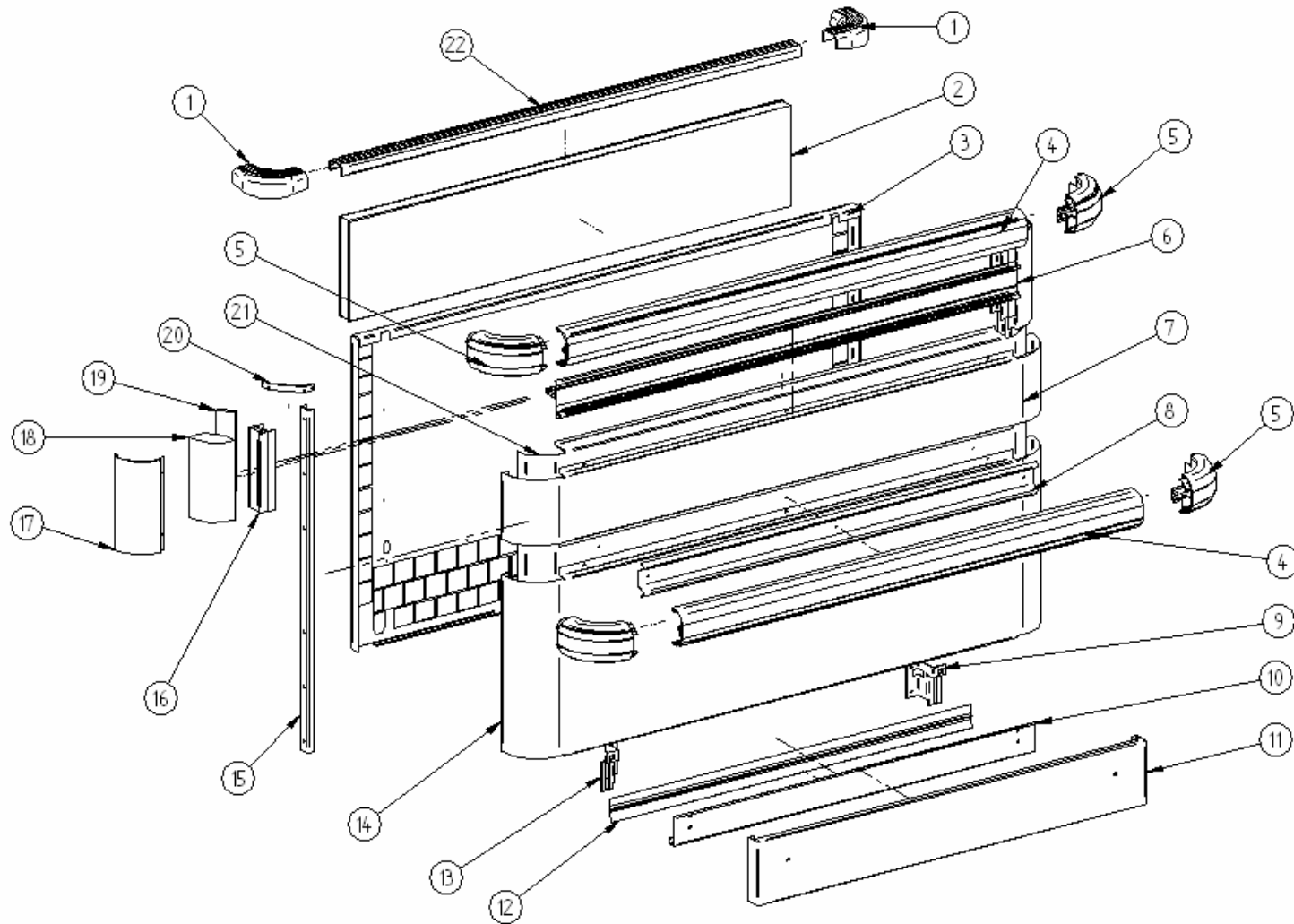
| ITEM NUMBER | DOCUMENT NUMBER | TITLE | MATERIAL | PART NO. FOR EACH MODULE | | |
|-------------|-----------------|-----------------------------------|--|--------------------------|--------------|--------------|
| | | | | 1875 BT P110 | 2500 BT P110 | 3750 BT P110 |
| 1 | ISJ006 | FRONT TROLLEY STOPPER PROFILE | PVC | 2C-187070007 | 2C-250070007 | 2C-375070007 |
| 2 | ISD002 | FRONT GLASS SUPPORT PROFILE | SILVER ANODIZED ALUMINIUM 5μ | 2C-187070006 | 2C-250070006 | 2C-375070006 |
| 3 | ISJ003 | UPPER FRONT PANEL PAINTED | GALVANIZED SHEET SKIMPAS 7/10 | 2H-187070014 | 2H-250070014 | |
| 4 | 1E-006 | FRONT TROLLEY STOPPER SPRING | GALVANIZED SHEET SKIMPAS 7/10 | 6V-187070004 | 6V-125070004 | 6V-187070004 |
| 5 | ISJ002 | FRONT SUPPORT BRACKET | GALVANIZED SHEET 15/10 | 6C-187070005 | | |
| 6 | ISB003 | FRONT BASE BRACKET | GALVANIZED SHEET 15/10 | 6C-187070010 | | |
| 7 | ISJ001-SF | FRONT PANEL WITHOUT HOLE, PAINTED | GALVANIZED SHEET SKIMPAS 7/10 | 2C-187070004 | 2C-250070004 | |
| 8 | 1E-002 | FRONT BASE F350 | PLAST. N12SM 8/10 | 6V-187070009 | 6V-250070009 | 6V-375070009 |
| 9 | 1E-004 | FRONT BASE FINISH F350 | PLAST. SHEET 8/10 | 6V-187070007 | 6V-250070007 | 6V-375070007 |
| 10 | ISB008 | FRONT MINIGONNA PROFILE | BLACK MINIGONNA PROFILE ATLANTA L.2500 | 2C-187070012 | 2C-250070012 | 2C-375070012 |
| 11 | ISJ001-CF | FRONT PANEL WITH HOLE, PAINTED | GALVANIZED SHEET SKIMPAS 7/10 | 2C-187070002 | 2C-250070002 | 2C-250070002 |

1.8 REFRIGERATION



| ITEM NUMBER | DOCUMENT NUMBER | TITLE | MATERIAL | PART NO. FOR EACH MODULE | | |
|-------------|-----------------|--|--|--------------------------|------------------|------------------|
| | | | | 1875 BT P110 | 2500 BT P110 | 3750 BT P110 |
| 1 | ISF001 | EVAPORATOR COVER P110 | GALVANIZED SHEET SKIMPAS 7/10 | 6C-187040016 | 6C-250040016 | 6C-375040016 |
| 2 | ISC013 | STAINLESS STEEL RESISTOR | | 610 W 4120151 | 812 W 4120152 | 1220W 4120153 |
| 3 | | EVAPORATOR | COOPER TUBES – ALUMINIUM SHEETS | 4220168 | 4220169 | 4220170 |
| 4 | ISF003 | RIGHT EVAPORATOR. INSPECTION COMPARTMENT | GALVANIZED SHEET SKIMPAS 7/10 | 6C-187040017 | | |
| 5 | ISF005 | RIGHT EVAPORATOR HEAD | GALVANIZED SHEET SKIMPAS 7/10 | 6C-187040024 | | |
| 6 | | PROBE TUBE | | | | |
| 7 | ISF014 | EQUALIZATION TUBE 2500 | COOPER D. 4 X 6 (6 X 1) | 2C-187140004 | 2C-250140004 | 2C-375140004 |
| 8 | | THERMOSTAT. VALVE R404 TES/2 WELD | | 4251311 | | |
| 9 | ISF004 | RIGHT DRAIN VALVE INSPECTION COMPARTMENT | GALVANIZED SHEET SKIMPAS 7/10 | 6C-187040019 | | |
| 10 | ISF013 | DELIVERY TUBE | COOPER D. 8 X 10 (10 X 1) | 2C-187140003 | 2C-250140003 | 2C-375140003 |
| 11 | | SUCTION TUBE | COOPER D. 14 X 16 (16 X 1) | 2C-187140002 | 2C-250140002 | 2C-375140002 |
| 12 | ISF002 | FANS HOLDER | GALVANIZED SHEET SKIMPAS 7/10 | 6C-187040023 | 6C-250040023 | 6C-375040023 |
| 13 | | MOTOR FAN "PP" 4715 MS23TB10 A00 | | 4241007 | | |
| 14 | ISF004 | LEFT DRAIN VALVE INSPECTION COMPARTMENT | GALVANIZED SHEET SKIMPAS 7/10 | 6C-187040020 | | |
| 15 | ISC013 | STAINLESS STEEL RESISTOR | | 610 W 4120151 | 812 W 4120152 | 1220W 4120153 |
| 16 | | SECURITY THERMOSTAT TYPE 2570 L | | 4130114 | | |
| 17 | ISC016 | KLIXON SUPPORT | SILVER-PLATED + PLAST. ALUMINIUM 20/10 | 6C-187040039 | | |
| 18 | ISC014 | STAINLESS STEEL DRIP EVAPORATOR RESISTOR | | 187W 4120950 | 250W 4120951 | 375W 4120952 |
| 19 | ISF003 | LEFT EVAPORATOR INSPECTION COMPARTMENT | GALVANIZED SHEET SKIMPAS 7/10 | 6C-187040018 | | |
| 20 | ISF005 | LEFT EVAPORATOR HEAD | GALVANIZED SHEET SKIMPAS 7/10 | 6C-187040025 | | |

2. SIDE WALL



| ITEM NUMBER | DOCUMENT NUMBER | TITLE | MATERIAL | PART NO. FOR EACH MODULE | | |
|-------------|-----------------|---|---|--------------------------|--------------|--------------|
| | | | | 1875 BT P110 | 2500 BT P110 | 3750 BT P110 |
| 1 | ISM020-R007 | HAND RAIL CORNER | ABS Thickness 2.5 mm | 4100337 | | |
| 2 | ISM019-SC | CHAMBER GLASS HARDENED 89,8 X18,4 SICILIA | | 4190276 | | |
| 3 | ISM003-SC-P110 | INTERNAL SHEET SIDE WALL | WHITE PLAST. A1SA 8/10 | 6H-187080004 | | |
| 4 | ISM018-SC | LATERAL TROLLEY STOPPER PROFILE | PVC PROFILE | 2H-187080017 | | |
| 5 | 1B-129 | GREY TROLLEY STOPPER CORNER R59 | NYLON | 4351705 | | |
| 6 | ISM017-SC-P110 | SIDE-WALL GLASS SUPPORT PROFILE | ALUMINIUM | 2H-187080016 | | |
| 7 | ISM008 | PAINTED SIDE WALL UPPER FINISH P110 | GALVANIZED SHEET 10/10 | 2H-187080025 | | |
| 8 | ISM007-SC-P110 | SIDE WALL TROLLEY STOPPER SPRING | GALVANIZED SHEET SKIMPAS 7/10 | 6H-187080012 | | |
| 9 | ISM012 | RIGHT LATERAL BASE BRACKET | GALVANIZED SHEET 15/10 | 6C-187080006 | | |
| 10 | ISM013-SC-P110 | LATERAL MINIGONNA SUPPORT | PLAST. N12SM 8/10 | 6H-187080009 | | |
| 11 | ISM011-SC-P110 | LATERAL BASE SIDE WALL | PLAST. N12SM 8/10 | 6H-187080008 | | |
| 12 | ISM023-CP-P110 | LATERAL MINIGONNA PROFILE | BLACK MINIGONNA PROF. ATLANTA L.2500 | 2H-187080010 | | |
| 13 | ISM012 | LEFT LATERAL BASE BRACKET | GALVANIZED SHEET 15/10 | 6C-187080007 | | |
| 14 | ISM010-REV1 | PAINTED SIDE WALL LOWER FINISH P110 | GALVANIZED SHEET 10/10 | 2H-187080015 | | |
| 15 | ISD001 | GLASS SUPPORT LATERAL CLOSURE CA. | GALVANIZED SHEET 20/10 | 6C-187040032 | | |
| 16 | ISD004-SC | CHAMBER GLASS PVC PROFILE | VERT. GLASS PROFILE CHAMBER CAPRI/SIC. L. 3000 MM | 2H-187080011 | | |
| 17 | ISM022-SC | PAINTED CORNER R58 SICILIA SIDE WALL 7042 | BLANK CORNER R58 SICILIA SIDE WALL | 2H-187080021 | | |
| 18 | ISM025 | POLYSTYRENE CORNER R58 L1000 | | 4080682 | | |
| 19 | ISM026 | VEKA CLOSURE SIDE WALL CORNER CP/SC | VEKAPLAN | 4080724 | | |
| 20 | ISM050 | EXTERNAL LOCK CORNER | GALVANIZED SHEET 15/10 | 6C-187080029 | | |
| 21 | ISM004-SC-P110 | EXTERNAL SHEET SIDE WALL | WHITE PLAST. A1SA 8/10 | 6H-187080003 | | |
| 22 | ISM021-SC | CHAMBER GLASS RAIL-HAND PROFILE | ALUMINIUM | 2H-187080013 | | |

=====



pastorfrigor_{S.p.a}

Regione Gabannone, 4 – Zona Industriale
15030 TERRUGGIA (AL) ITALY
Tel. +39 0142 433711
Fax. +39 0142 433700