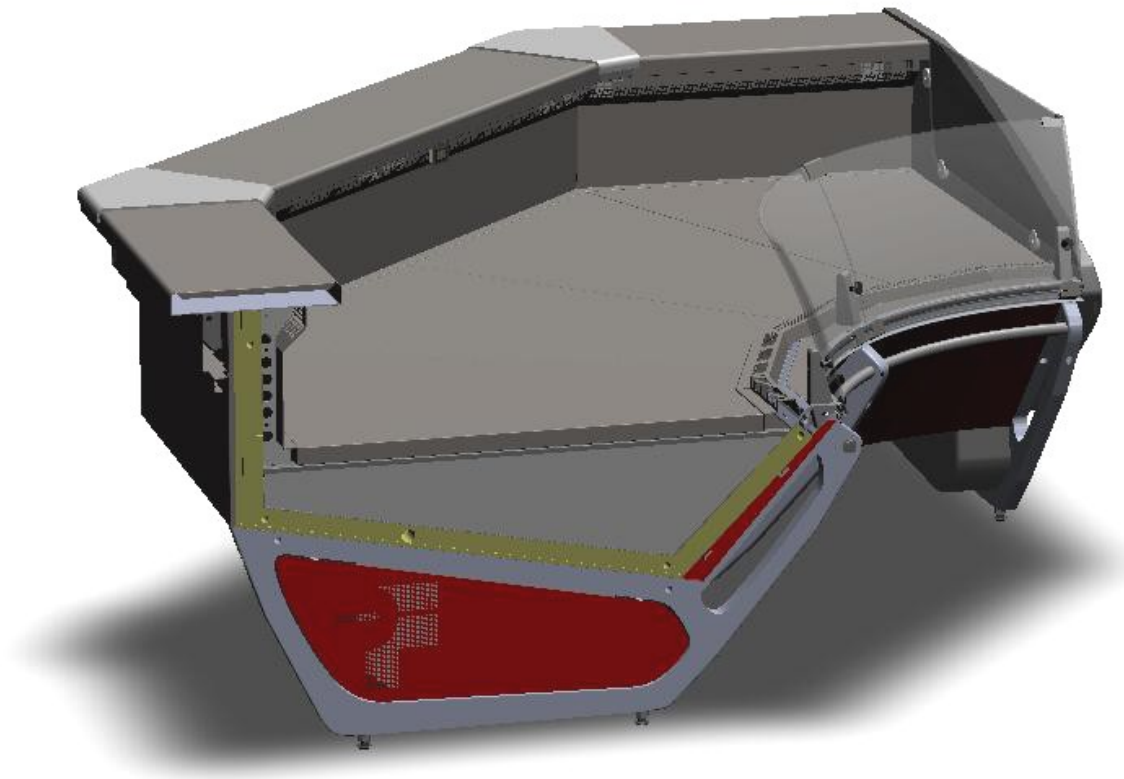


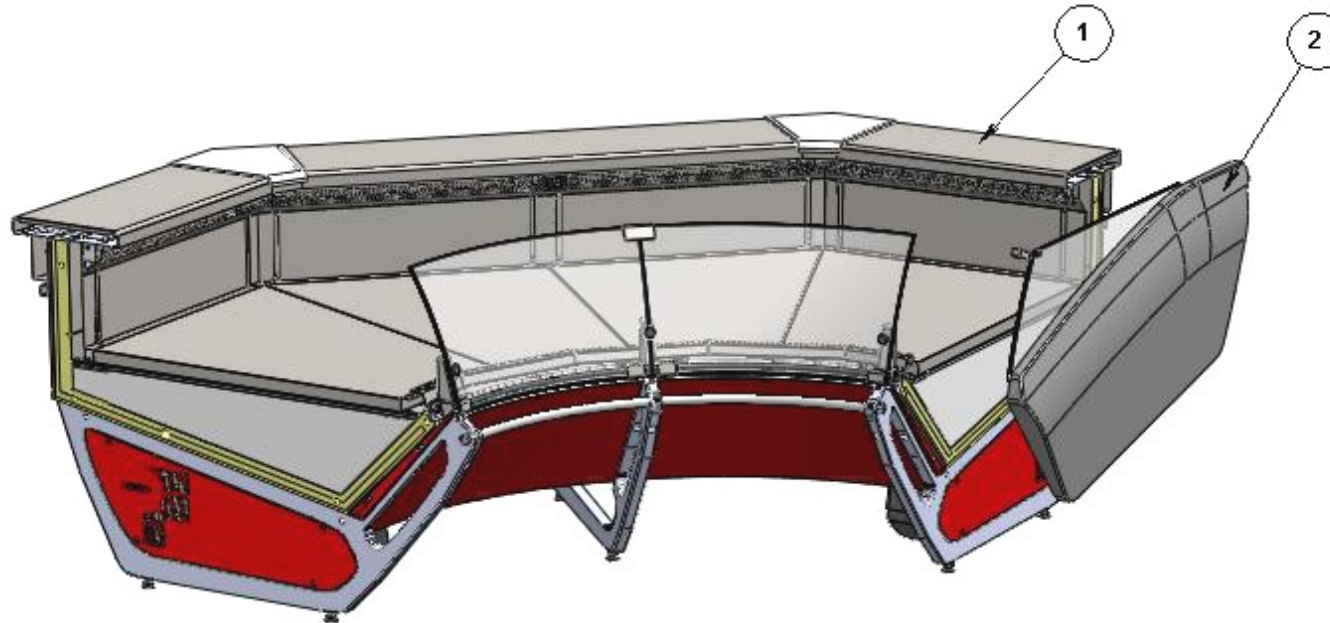


EXPLODED VIEW

SYNUS SELF SERVICE 90 INTERNAL CORNER



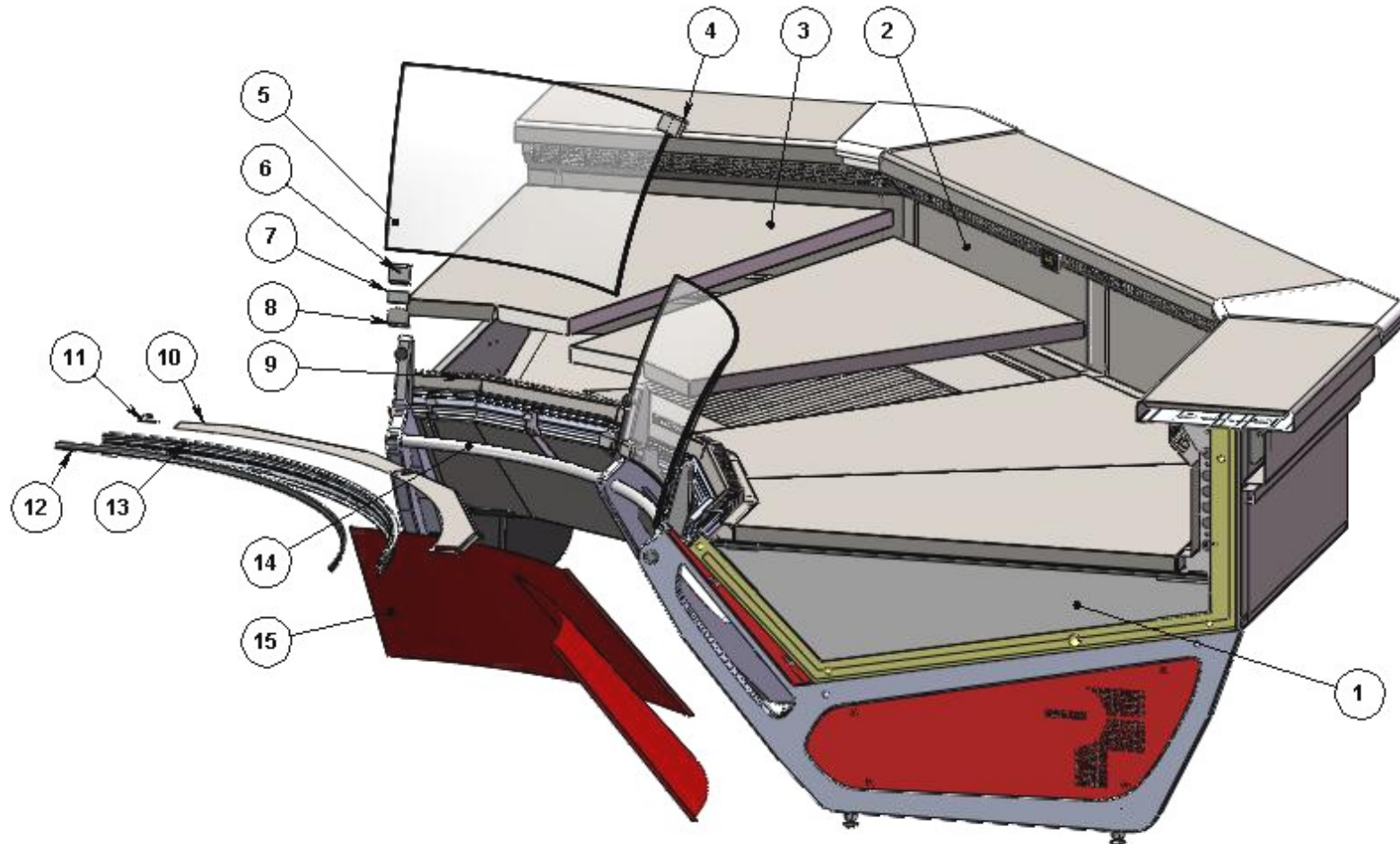
GENERAL SPLITTING UP



1. INTERNAL FINISH, FRONTAL DECORATION

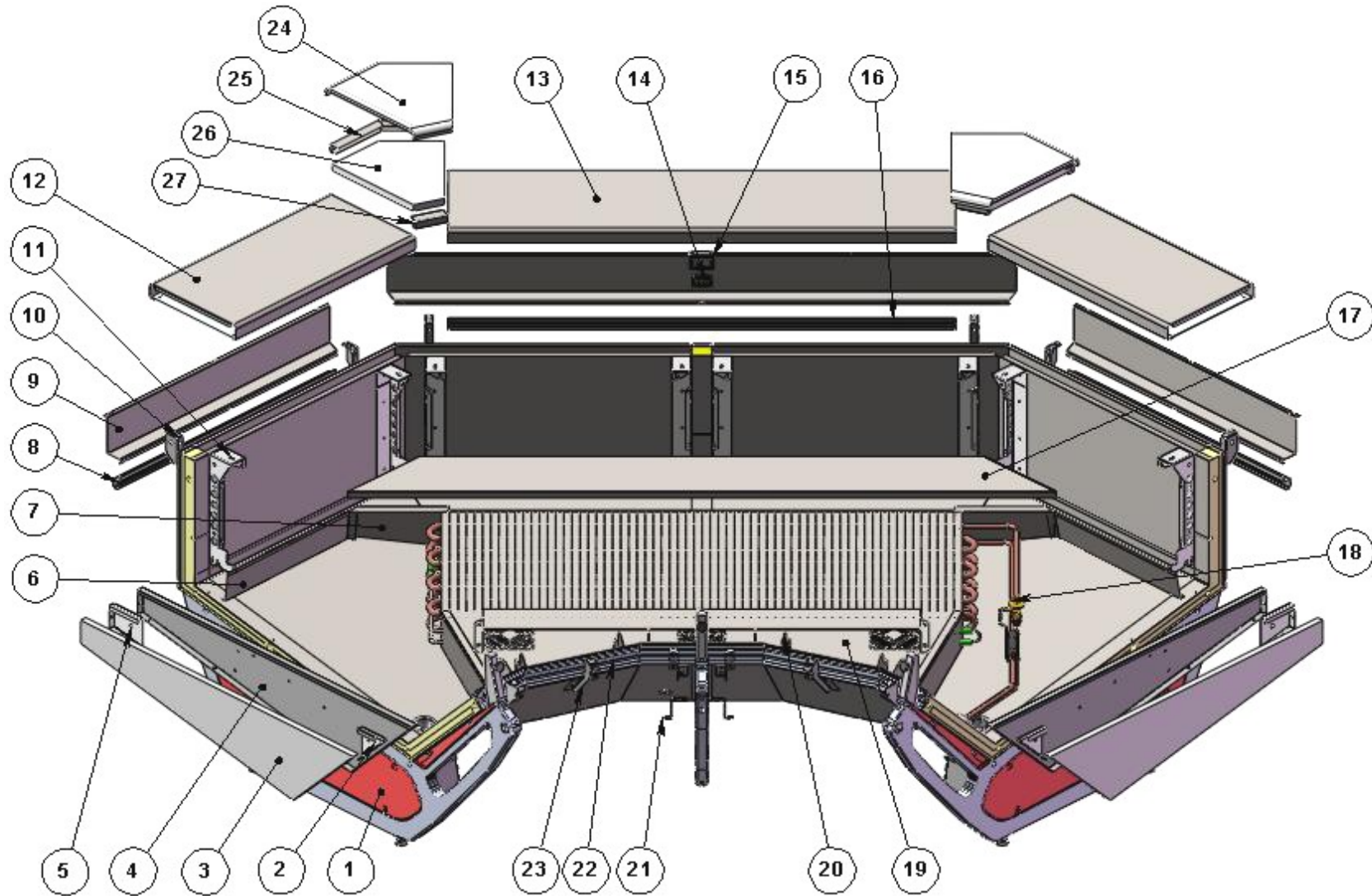
2. COMPLETE SIDE WALL

1. INTERNAL FINISH, FRONTAL DECORATION



| ITEM NUMBER | DOCUMENT NUMBER | TITLE | MATERIAL | PART NO. FOR MODULE |
|-------------|-----------------|-------------------------------------|--|---|
| 1. | | BASIN INTERNAL FINISH | | |
| 2. | SF0G011 | AIR OUTLET GRID | STAINLESS STEEL AISI304 SB+PRO 8/10 | 6IV45I040027 (DX) 6IV90I040007 (CX) 6IV45I040047 (SX) |
| 3. | SF0K004 | REMOVABLE PLATE INTERNAL CORNER | STAINLESS STEEL AISI304 SB+PRO 8/10 | 6IV45I040006 (SX) 6IV45I040004 (DX) |
| 4. | | GLASS STOP MANOR SS POLYCARB. MP160 | | 4081335 |
| 5. | SF0D028 | SS GLASS 45 INTERNAL CORNER | FLOAT 6 MM TRANSPARENT | 4191629 |
| 6. | SF0D035 | S/S GLASS BACK FIXING BRACKET | STAINLESS STEEL AISI304 2B,15/10 | 6IV125032002 |
| 7. | | GLASS GASKET PROFILE U ART. P0 924 | PVC | 4180100 |
| 8. | SF0D035 | S/S GLASS BACK FIXING BRACKET | STAINLESS STEEL AISI304 2B,15/10 | 6IV125032001 |
| 9. | SF0G010 | SUCTION GRID | STAINLESS STEEL AISI304 SB+PRO 8/10 | 6IV45I040022 (DX) 6IV45I040002 (CX) 6IV45I040042 (SX) |
| 10. | SF0G005 | UPRIGHT STOPPER 90° INT. CORNER | GREY PLAST. N1 6/10 | 6IV90I0F0009 (SX) 6IV90I0F0008 (DX) |
| 11. | SF0G012 | LATERAL UPRIGHT STOPPER | GREY PLAST. N1 6/10 | 6IV1250F0006 (DX) 6IV1250F0007 (SX) |
| 12. | | GUMMY INSERT PROFILE | PVC | 4180403 |
| 13. | SF0L010 | FRONT PROFILE | ALUMINIUM | 2IV90I0F0003 |
| 14. | SF0L005 | TROLLEY STOPPER TUBE | ROUND STAINLESS STEEL TUBE PROFILE 22X1,5 L.6000 | 2IV90I0F0004 |
| 15. | SF0J004 | FRONT PANEL | GALVANIZED SHEET SKIMPAS 7/10 | 2IV90I070001 |

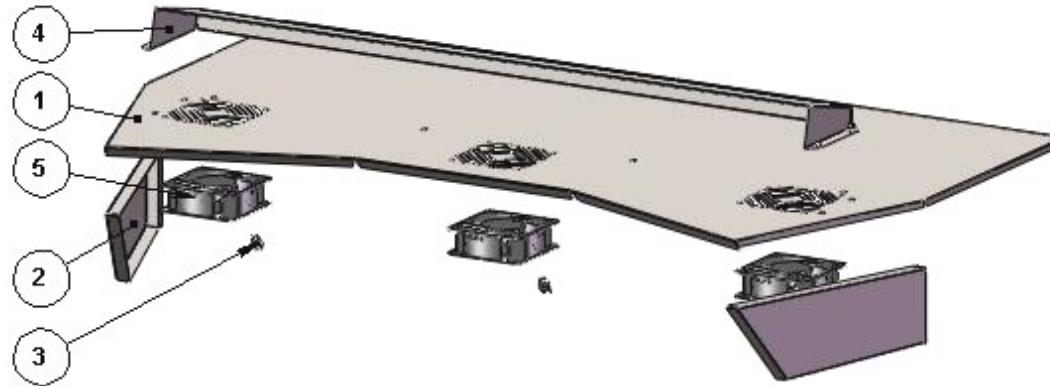
1.1. BASIN INTERNAL FINISH



| ITEM NUMBER | DOCUMENT NUMBER | TITLE | MATERIAL | PART NO. FOR MODULE |
|-------------|-----------------|--------------------------------------|---|---|
| 1. | | BOTTOM BASIN ASSEMBLY | | |
| 2. | RG034 | SIDE WALL FIXING BRACKET | IRON SHEET 15/10 | 6SV072040039(SX) 6SV072040038(DX) |
| 3. | PP042 | BASIN STOPPER INSULATION | POLYSTYRENE D.30 | 2PP096040006 |
| 4. | PP013 | BASIN STOPPER | STAINLESS STEEL AISI304 5/10 | 6PP096040001(SX) 6PP096040000(DX) |
| 5. | RG106 | BACK STOPPER BRACKET | IRON SHEET 15/10 | 6SV072040041(SX) 6SV072040040(DX) |
| 6. | SF0F010 | AIR OUTLET CHANNEL CLOSURE | STAINLESS STEEL AISI304 1F/2B-2F/S4, 6/10 | 6IV90I040050 (DX) 6IV90I040051 (SX) |
| 7. | SF0F009 | BACK EVAPORATOR CLOSURE | STAINLESS STEEL AISI304 1F/2B-2F/S4, 6/10 | 6IV90I040021 (DX) 6IV90I040041 (SX) |
| 8. | TT0H014 | SLIDING GUIDE FOR ACCESSORIES | STAINLESS STEEL AISI304 SB+PRO 8/10 | |
| 9. | SF0H003 | BLIND WIREWAY | GREY PLAST. N1, 6/10 | 6IV45I010025 (DX) 6IV90I010005 (CX) 6IV45I010045 (SX) |
| 10. | TT0H004 | BACK LEVEL SURFACE SUPPORT | IRON SHEET 20/10 | 6FI125010011 (SX) 6FI125010009 (DX) |
| 11. | TT0G006 | BACK GRID SUPPORT BRACKET | IRON SHEET 15/10 | 6FI125040113(SX) 6FI125040112(DX) |
| 12. | | SKIMMED PLAIN 135° INT. CORNER | | 2IV45I010001 |
| 13. | | SKIMMED PLAIN FIRENZE 1250 | | 2FI125010001 |
| 14. | | DIGITAL THERMOMETER | | 4131307 |
| 15. | TT0C002 | THERMOMETER HOLDER | STAINLESS STEEL AISI304 15/10 | 6FI125020007 |
| 16. | TT0H014 | SLIDING GUIDE FOR ACCESSORIES | STAINLESS STEEL AISI304 SB+PRO 8/10 | 6FI125010028 |
| 17. | SF0F006 | AIR PUTLET CHANNEL | STAINLESS STEEL AISI304 1F/2B-2F/S4, 6/10 | 6IV90I040053 |
| 18. | | EVAPORATOR ASSEMBLY | | 2IV90I140001 |
| 19. | | FANS HOLDER | | |
| 20. | TT0G007 | FRONT GRID SUPPORT BRACKET | IRON SHEET 15/10 | 6FI125040115 (SX) 6FI125040114 (DX) |
| 21. | SF0J005 | FRONT PANEL SUPPORT | GALVANIZED SHEET 15/10 | 6IV45E070018 (SX) 6IV45E070017 (DX) |
| 22. | SF0G006 | TOP BAFFLE PROFILE | PVC | 2IV45I040021 (DX) 2IV45I040001 (CX) 2IV45I040041 (SX) |
| 23. | SFOL002 | GLASS REBATE PROFILE SUPPORT BRACKET | GALVANIZED SHEET 15/10 | 6IV1250F0002(SX) 6IV1250F0001(DX) |
| 24. | PP062 | WHITE PLAST. CM2,5 "PP "45° CORNER | POLYETHYLENE Th. 25mm | 4081121 |

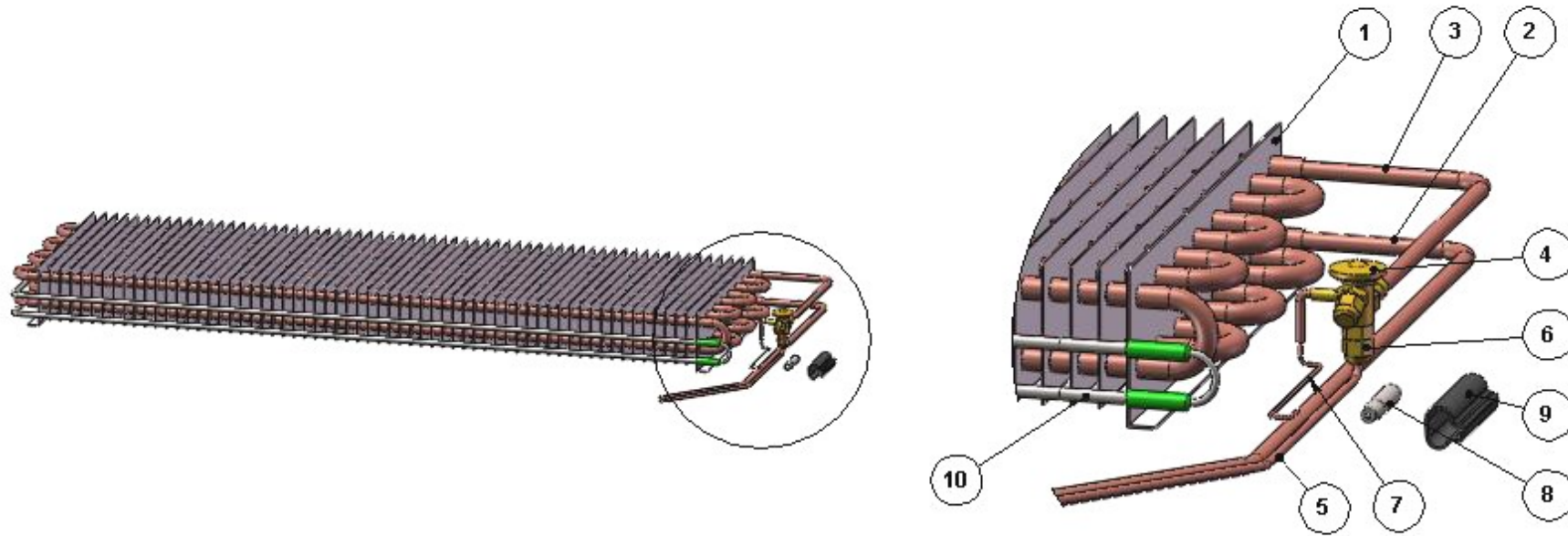
| ITEM NUMBER | DOCUMENT NUMBER | TITLE | MATERIAL | PART NO. FOR MODULE |
|-------------|-----------------|--------------------------------|---|---------------------|
| 25. | PP211 | BACK CLOSURE 45° EXT. CORNER | STAINLESS STEEL AISI304 DEC9 BA + PRO + SATIN FINISHED 80 H435X7/10 | 6PP45E010008 |
| 26. | PP210 | PLAST. STOPPER EXTERNAL CORNER | POLYETHYLENE Th. 18mm | 4081128 |
| 27. | PP211 | FRONT CLOSURE 45° EXT. CORNER | STAINLESS STEEL AISI304 DEC9 BA + PRO + SATIN FINISHED 80 H435X7/10 | 6PP45E010007 |

1.1.1. FANS HOLDER



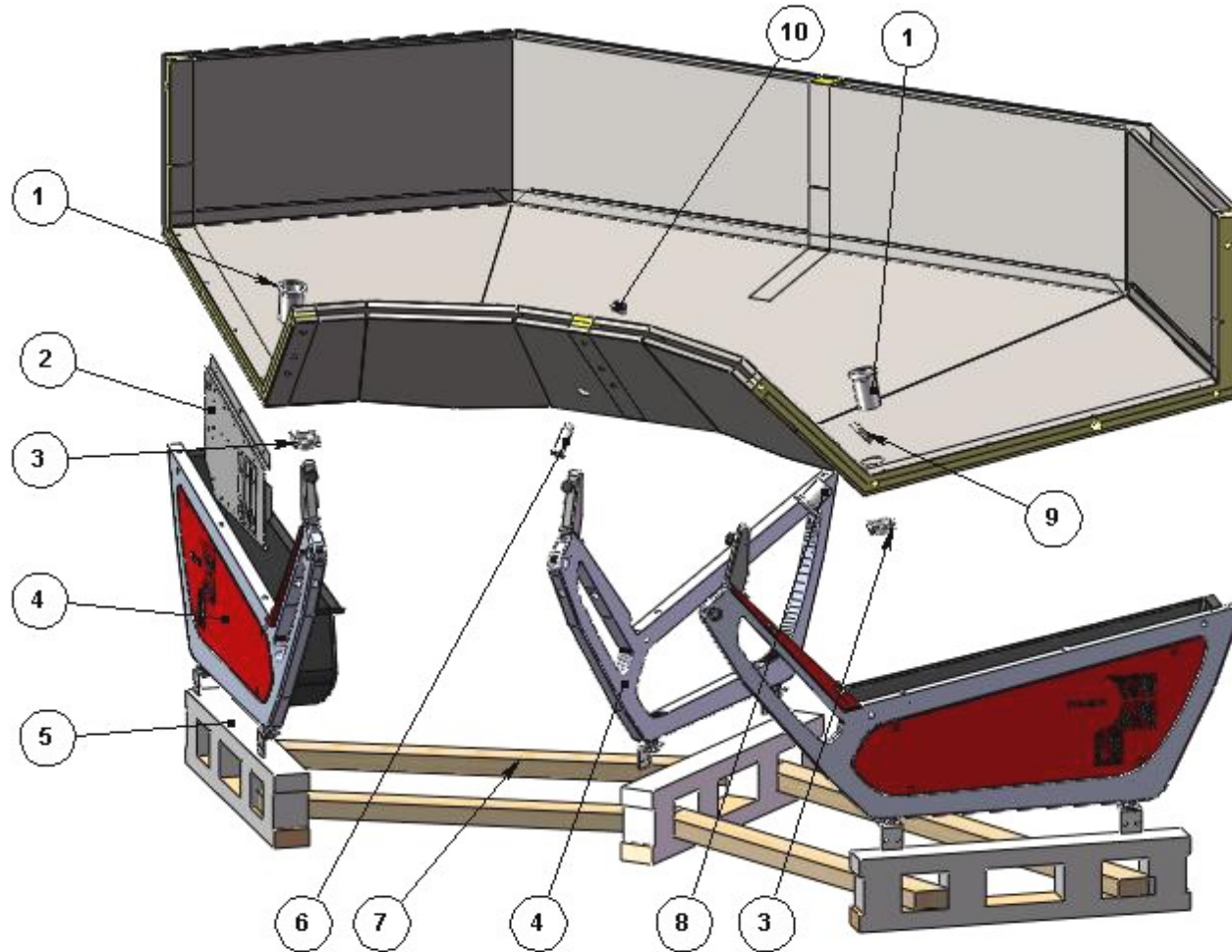
| ITEM NUMBER | DOCUMENT NUMBER | TITLE | MATERIAL | PART NO. FOR MODULE |
|-------------|-----------------|---------------------------------|--|--|
| 1. | SFOG005 | EVAPORATOR COVER 90° INT. COVER | STAINLESS STEEL AISI304 1F/2B-2F/S4 6/10 | 6IV90I040018 |
| 2. | SFOF008 | LATERAL FRONT EVAPORATOR COVER | STAINLESS STEEL AISI304 1F/2B-2F/S4 6/10 | 6IV90I040019 (DX) 6IV90I040039 (SX) |
| 3. | | CABLE CONNECTOR L. 1525 MM | | 4110606 |
| 4. | SFOF007 | FAN COVER 90° INT. CORNER | STAINLESS STEEL AISI304 1F/2B-2F/S4 6/10 | 6IV90I040052 |
| 5. | | MOTORFAN "PP" 4715 MS23TB10 A00 | | 4241007 |

1.1.2. EVAPORATOR



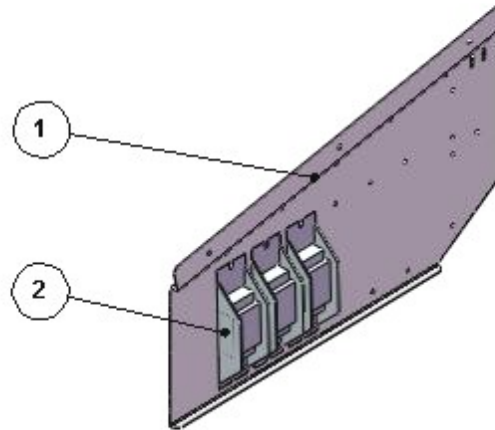
| ITEM NUMBER | DOCUMENT NUMBER | TITLE | MATERIAL | PART NO. FOR MODULE |
|-------------|-----------------|------------------------------------|---------------------------------|---------------------|
| 1. | | EVAPORATOR 1440 KING V.VERN. 1240 | COOPER TUBES - ALUMINIUM SHEETS | 4220304 |
| 2. | PP440 | COOPER D.6 X 8 L1400 | COOPER TUBES D.6 X 8 | 4272415 |
| 3. | | COOPER D.6 X 8 | COOPER TUBES D.6 X 8 | 4272415 |
| 4. | | WELDED VALVE THERMOSTAT.R404 TES/2 | | 4251311 |
| 5. | PP441 | COOPER D.4X6 L.75 | COOPER TUBES D.4 X 6 | 4272414 |
| 6. | | PIPE UNION 3/8SAE Ø8 | | 4272415 |
| 7. | | CAPILLARY TUBE | COOPER TUBES 1.8X3 | 4260206 |
| 8. | | VALVE BULB | | |
| 9. | | ANTICONDENSATE TUBE | INSULATING SPONGE 6 X 22 | 4270505 |
| 10. | RG179 | DEFROSTING RESISTOR Ø8.5 | STAINLESS STEEL AISI304 | 4122103 |

1.1.3. BOTTOM BASIN ASSEMBLY



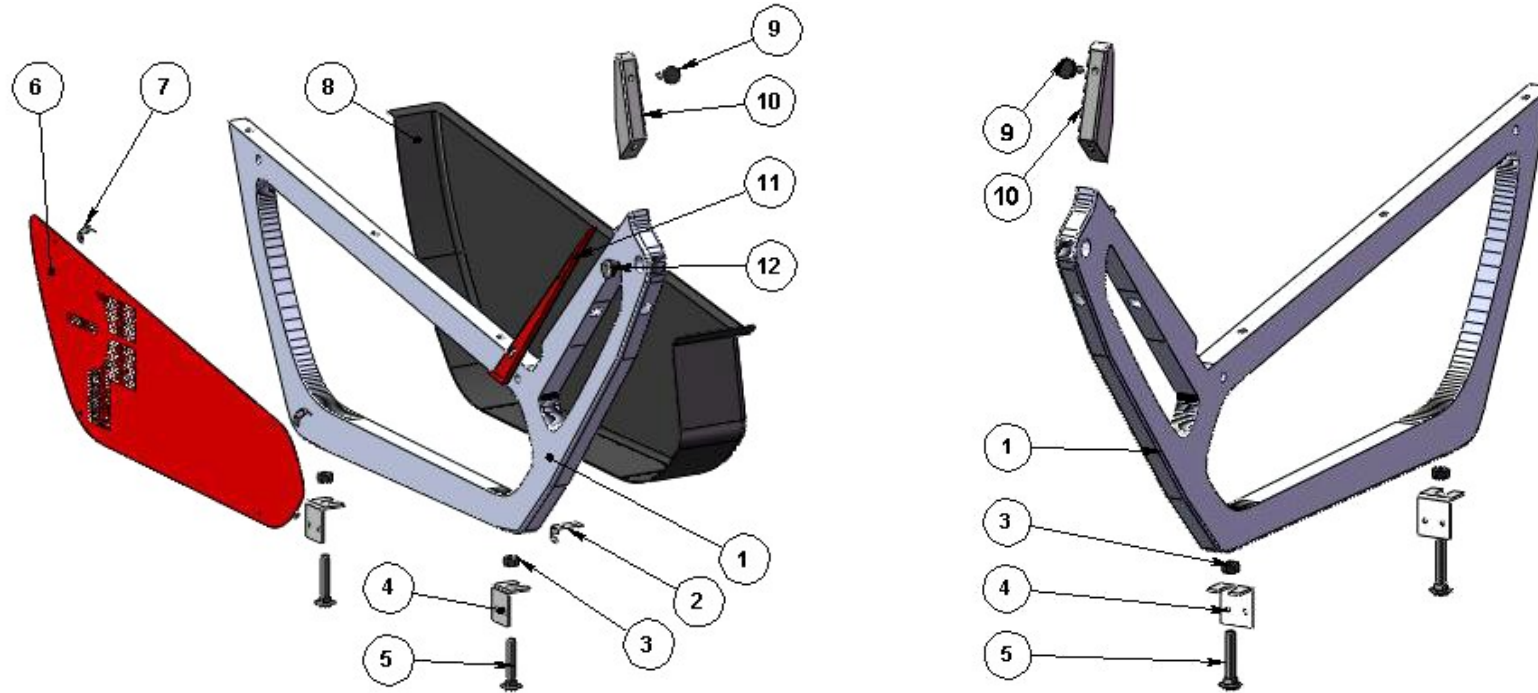
| ITEM NUMBER | DOCUMENT NUMBER | TITLE | MATERIAL | PART NO. FOR MODULE |
|-------------|-----------------|-------------------------------|-------------------|---------------------|
| 1. | | DRAIN 10124 1"1/2 GAS L.75 MM | ABS | 4102132 |
| 2. | | BALLAST HOLDER PANEL | | |
| 3. | | DRAIN NUT 1"1/2 | ABS | |
| 4. | | FRAME | | |
| 5. | PP178 | SLIDE ALPHA" H80 L. 720 | SPRUCE WOOD | 4321310 |
| 6. | | DRAIN D. 20 | ABS | 4102101 |
| 7. | 0B 007 | LOADING SLIDE EE 3565 | SPRUCE WOOD 75X38 | 4321223 |
| 8. | | DRAIN D. 44 | ABS | 4102106 |
| 9. | | DRAIN NUT D. 44 | ABS | 4102106 |
| 10. | | DRAIN NUT D. 20 | ABS | 4102101 |

1.1.3.1. BALLAST HOLDER PANEL



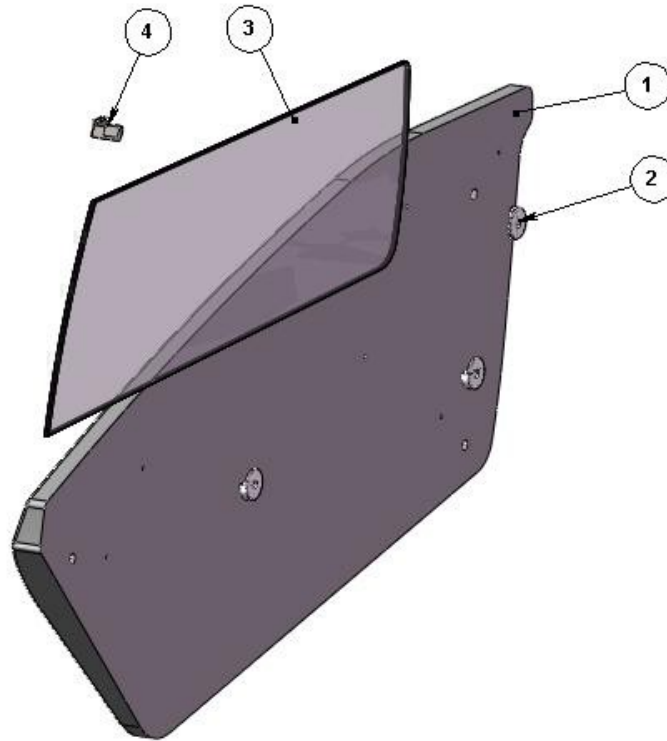
| ITEM NUMBER | DOCUMENT NUMBER | TITLE | MATERIAL | PART NO. FOR MODULE | | | | |
|-------------|-----------------|---------------|------------------|---------------------|-----------|---------|-----------|-----------|
| 1. | | BALLAST PANEL | IRON SHEET 10/10 | 2IV125090003 | | | | |
| 2. | | BALLAST | | 15W | 18 – 20 W | 30W | 36 – 40 W | 58 – 65 W |
| | | | | 4115106 | 4115102 | 4115103 | 4115104 | 4115105 |

1.1.3.2. LATERAL AND CENTRAL FRAME



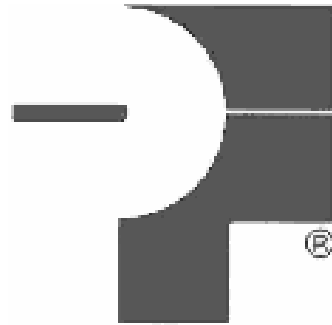
| ITEM NUMBER | DOCUMENT NUMBER | TITLE | MATERIAL | PART NO. FOR MODULE |
|-------------|-----------------|------------------------------------|------------------------------|--|
| 1. | SF0B001 | FRAME | ALUMINIUM ALLOY | 2IV125060001 |
| 2. | SF0B010 | CASE FIXING BRACKET | GALVANIZED SHEET 10/10 | 6IV125060003 (SX) 6IV125060002 (DX) |
| 3. | | NUT SPACER M14 | GALVANIZED IRON | |
| 4. | SF0B008 | LOADING SLIDE FIXING BRACKET | IRON SHEET 30/10 | 4282832 |
| 5. | | BOLT M12X45 | GALVANIZED STEEL | |
| 6. | SF0B004 | LATERAL FRAME CLOSURE | GALVANIZED SHEET 10/10 | 2IV125080014 (SX) 2IV125080004 (DX) |
| 7. | SF0B005 | SPRING FOR LATERAL CLOSURE COUPLIG | STAINLESS STEEL AISI301 5/10 | 4282798 |
| 8. | SF0B006 | CASE CLOSURE | ABS | 4100339 (SX) 4100338 (DX) |
| 9. | | KNURLED KNOB PZA0800 | | 4331413 |
| 10. | SF0D031 | UPRIGHT FOR SELF SERVICE GLASS | | 4081169 |
| 11. | SF0J007 | FRONT SIDE WALL STOPPER | GALVANIZED SHEET 7/10 | |
| 12. | | CHROMED STOPPER D.25 S.T.1 | PVC | 4333107 |

2. COMPLETE SIDE WALL



| ITEM NUMBER | DOCUMENT NUMBER | TITLE | MATERIAL | PART NO. FOR MODULE |
|-------------|-----------------|------------------------------------|-------------------------------|--|
| 1. | SF0M001 | SIDE WALL SYNUS POL. PAINTED | POLYURETHANE Th. 50mm | 2IV125080012 (SX) 2IV125080002 (DX) |
| 2. | | LATERAL GLASS BLOCK | PVC | 4100313 |
| 3. | SF0M005 | SIDE GLASS SELF SERVICE | FLOAT 6 mm | |
| 4. | ETOM004 | FRONT GLASS – SIDE WALL SS BRACKET | STAINLESS STEEL AISI304 15/10 | 6DV120032001 (DX) 6DV120032002 (SX) |





pastorfrigor^{Spa}

Regione Gabannone, 4 – Zona Industriale
15030 TERRUGGIA (AL) ITALY
Tel. +39 0142 433711
Fax. +39 0142 433700