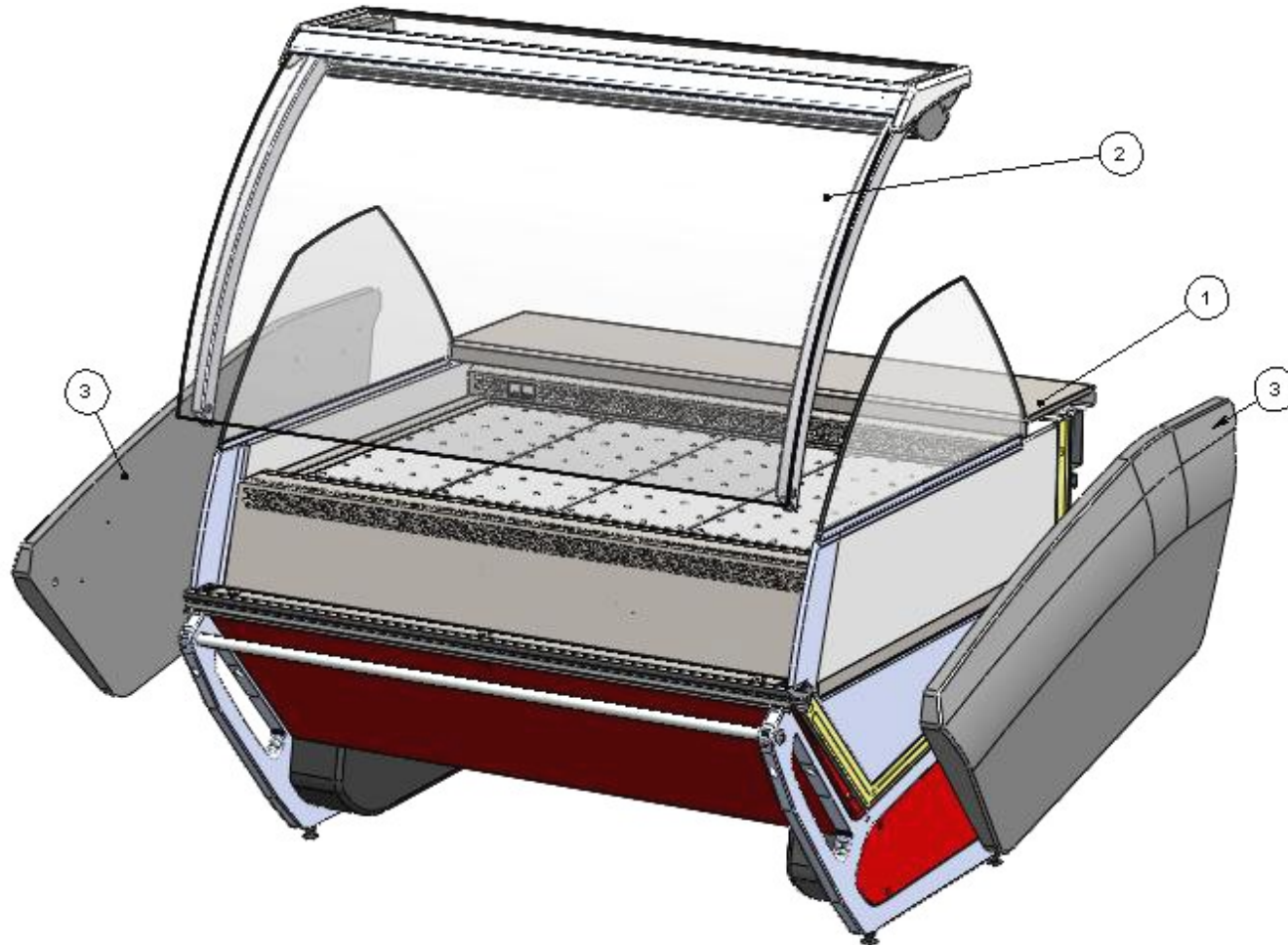




EXPLODED VIEW

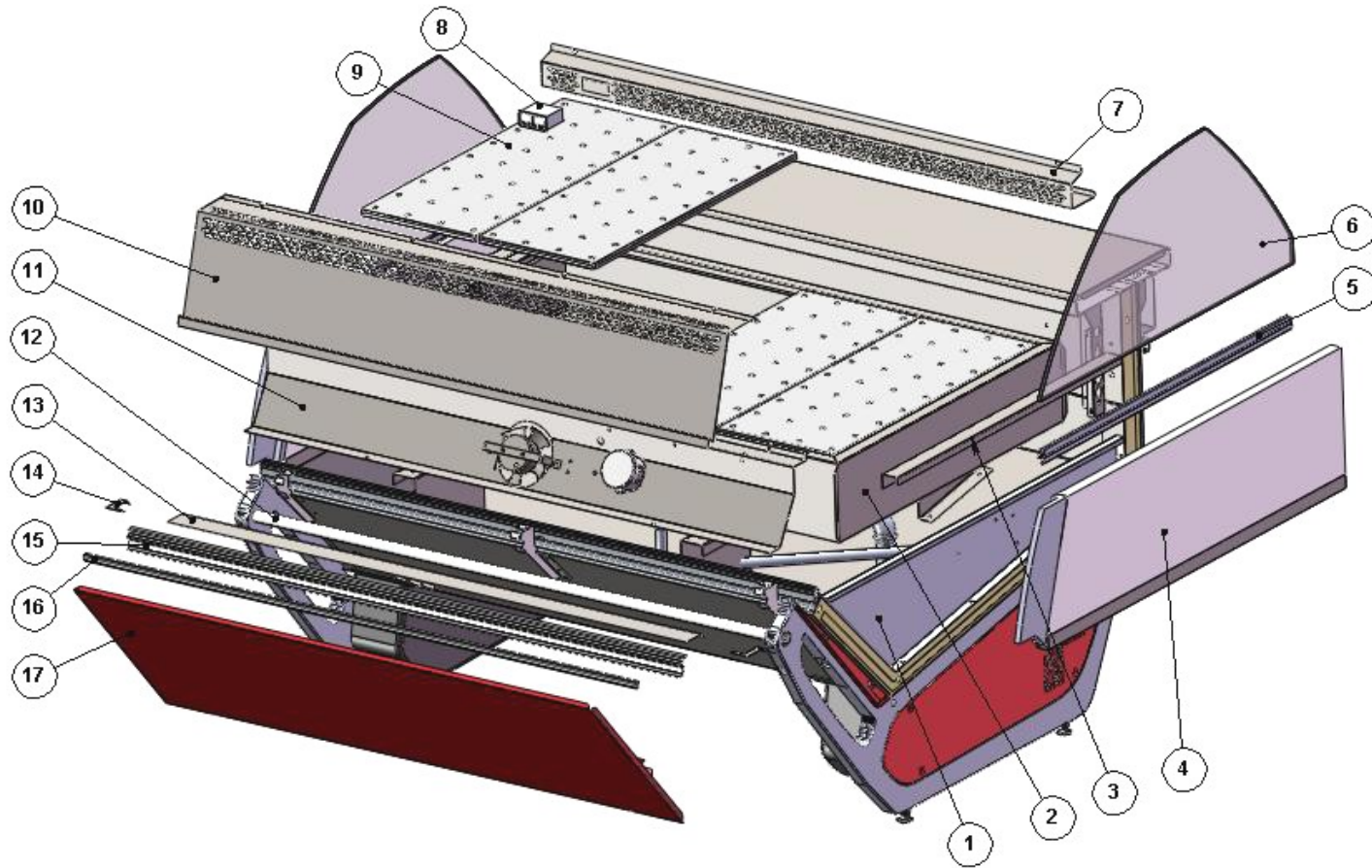
SYNUS HOT SECTION



GENERAL SPLITTING UP

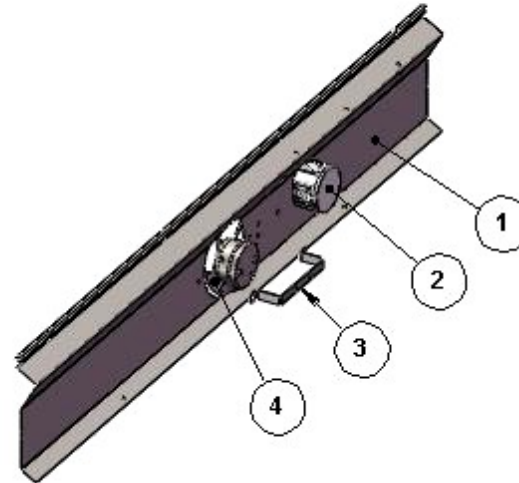
1. INTERNAL FINISH, FRONTAL DECORATION
2. GLASSES SUPERSTRUCTURE
3. LATERAL SIDE WALL

1. INTERNAL FINISH, FRONTAL DECORATION



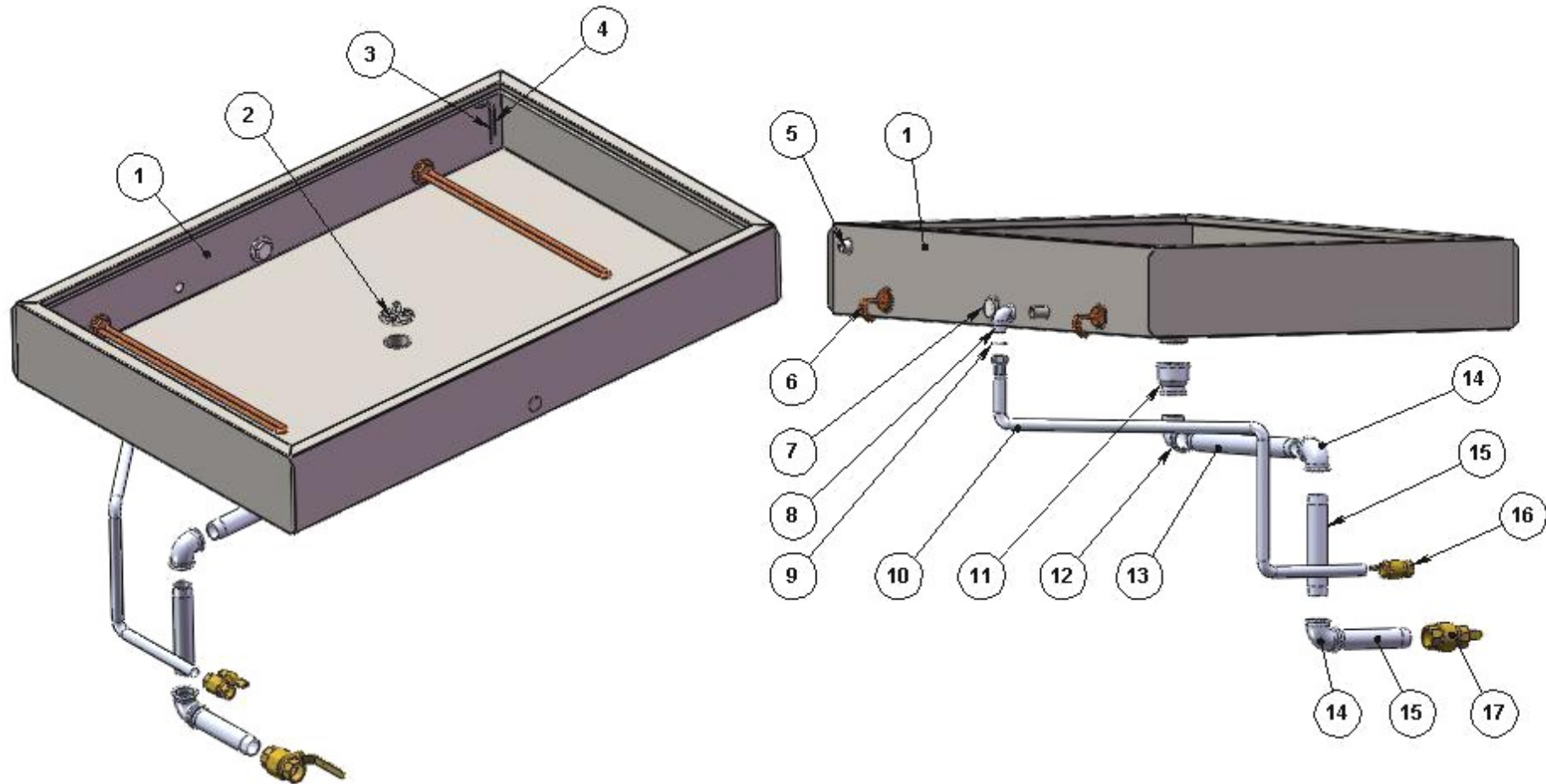
ITEM NUMBER	DOCUMENT NUMBER	TITLE	MATERIAL	PART NO. FOR MODULE
				1250
1.		BASIN INTERNAL FINISH		
2.		BAIN-MARIE BASIN ASSEMBLY 1200		
3.	TT2G004	BASIN COMPENSATION BM 1250	STAINLESS STEEL AISI304 SB+PRO, 10/10	6F112504T006
4.		HOT SECTION FIXED DIVIDER		2IV12504T103 (DX)
				2IV12504T104 (SX)
5.	TT0U018	GLASS HANDLE	ALUMINIUM PROFILE	
6.	SF0U003	HIGH GLASS ON FIXED DIVIDER	FLOAT 6mm TRANSPARENT	4190408
7.	TT2G006	BACK GRID 1250 BM	STAINLESS STEEL AISI304 SB+PRO, 8/10	6F112504T001
8.		THERMOMETER 0/120°C C°+ F°RO-88 BLACK		4131306
9.	VLTC037	BORED SHELFs	STAINLESS STEEL AISI304 SB+PRO, 8/10	6PP09604T029
10.	TT2G003	FRONT GRID BM 1250		6F112504T002
11.		HOT SECTION FANS HOLDER		2F112504T007
12.	SF0L003	BUMPER RAIL TUBE	STAINLESS STEEL ROUND TUBE PROFILE 22X1,5 L.6000	2IV1250F0004
13.	SF0G013	CENTRAL UPRIGHT STOPPER	PLAST. SHEET 6/10	6IV1250F0005
14.	SF0G012	LATERAL UPRIGHT STOPPER	PLAST. SHEET 6/10	6IV1250F0007 (SX)
				6IV1250F0006 (DX)
15.	SF0L008	FRONT PROFILE	ALLOY 6060 T5	2IV1250F0003
16.		GUMMY INSERT PROFILE	PVC	4180409
17.	SF0J008	FRONT PANEL	GALVANIZED SHEET 7/10, PAINTED	2IV125070001

1.1. FANS HOLDER



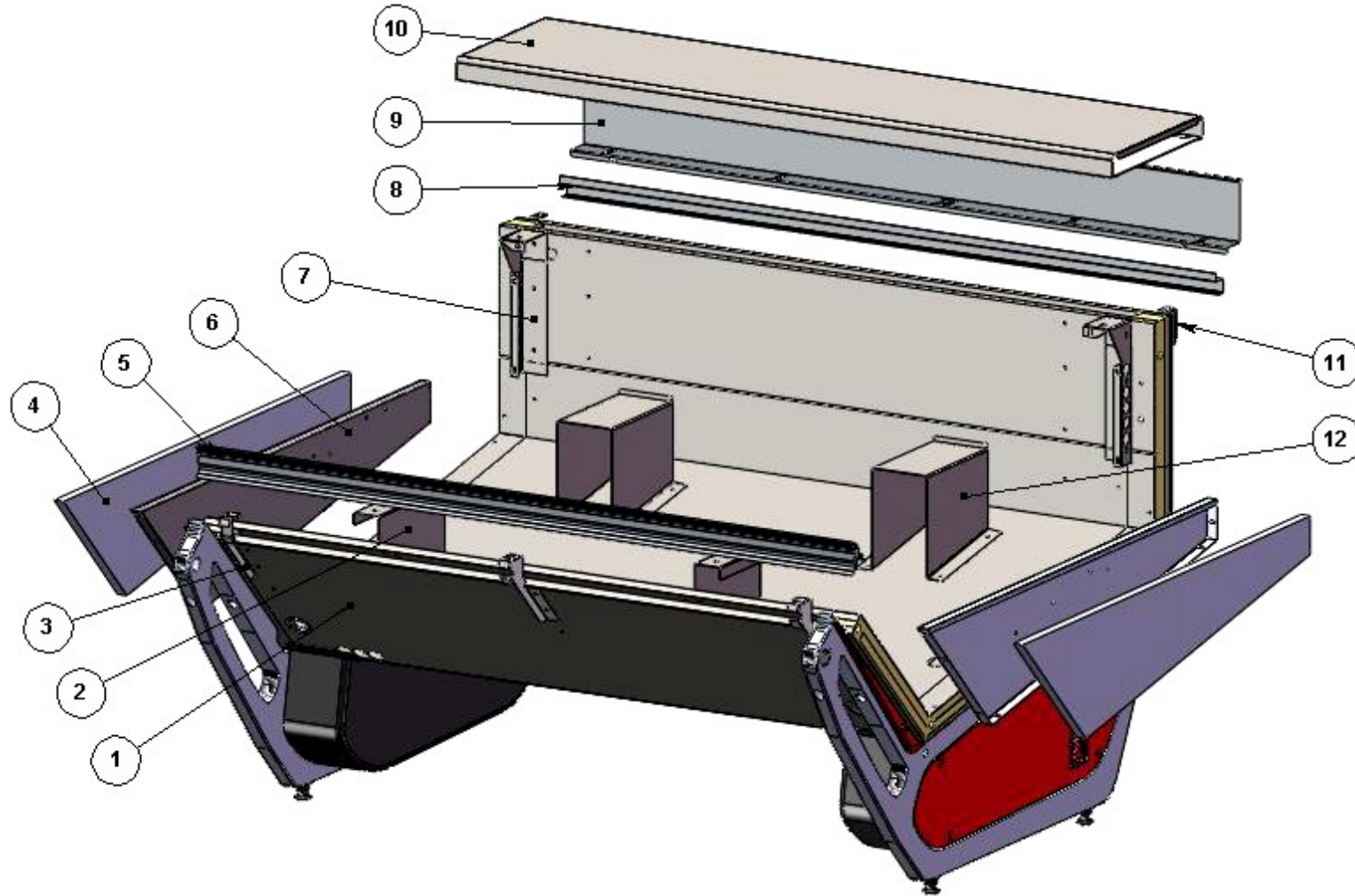
ITEM NUMBER	DOCUMENT NUMBER	TITLE	MATERIAL	PART NO. FOR MODULE
				1250
1.	TT2G001	FANS HOLDER	STAINLESS STEEL AISI304 1F/2B-2F/S4, 6/10	6F112504T008
2.		SHUNT BOX D.65 GEWISS	PLAST INSULATING MAT. GW	4115401
3.	VLTC020	SUPPORT FOR MNB FAN		6PP09604T021
4.		MOTORFAN A12W23 HWBRF0 IP55		4240308

1.2. BAIN MARIE BASIN ASSEMBLY 1200



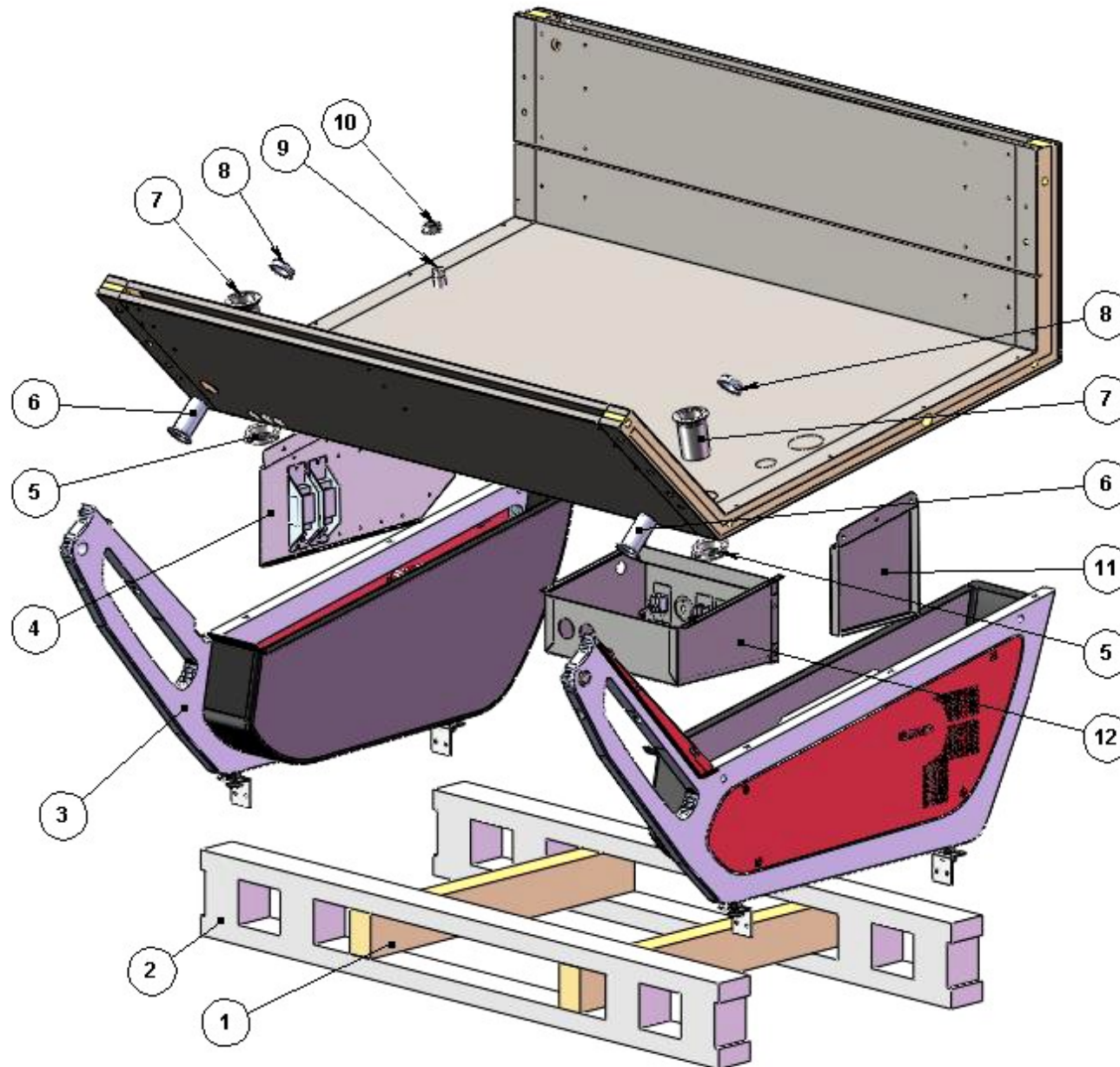
ITEM NUMBER	DOCUMENT NUMBER	TITLE	MATERIAL	PART NO. FOR MODULE
				1250
1.	VLTC003	BAIN MARIE BASIN 1200		4335762
2.	VSTC021	GRID FOR BAIN MARIE HS BASIN	STAINLESS STEEL AISI304 1F/2B-2F/S4, 6/10	2BV12004T012
3.	2G012	MINIMUM LEVEL SENSOR HS	STAINLESS STEEL WIRE D.2	2BV12005T004
4.	2G012	MAXIMUM LEVEL SENSOR HS	STAINLESS STEEL WIRE D.2	2BV12005T005
5.		THREADED SCREW TAP STOPPER 1/2"	PVC	4401208
6.	KTC040	HOT SECTION RESISTOR L.470 1000W		4121408
7.		COLLETTOR STOPPER.1" RG92 BRASS HS		4401249
8.		CHROMATED 90° STREET ELBOW 1/2"		4401224
9.		PIPE UNION GASKET 1/2"		4401233
10.		ANTIVIBRATION HOSE MALE / FEMALE , 1/2" X 1000		4401251
11.		FEMALE THREADED COUPLING 1" 1/2" GAS		4401271
12.		STREET ELBOW 90° 1 1/2"		4401270
13.		EXTENDED SCREW 1" L.485	ZINC	4401349
14.		STREET ELBOW 90° 1 1/2"		4401346
15.		EXTENDED SCREW 1" L.150	ZINC	4401350
16.		BALL VALVE EFFBI FF 1/2"		4401261
17.		BALL VALVE FF. 1"		4401302

1.3. BASIN INTERNAL FINISH



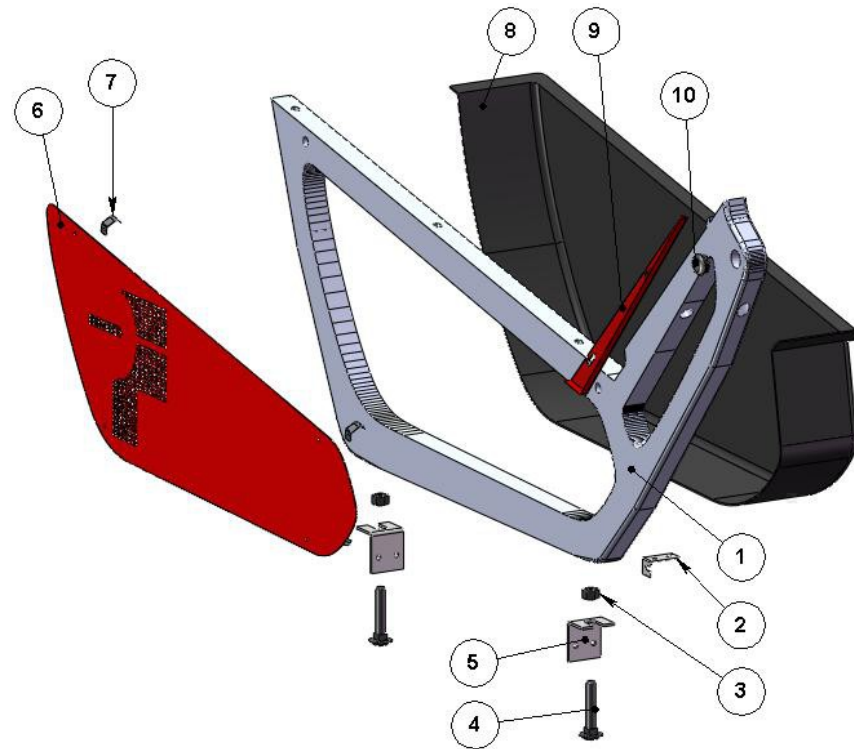
ITEM NUMBER	DOCUMENT NUMBER	TITLE	MATERIAL	PART NO. FOR MODULE
				1250
1.		BOTTOM BASIN ASSEMBLY		
2.	TT2G009	BASIN FRONT SUPPORT OMEGA	STAINLESS STEEL AISI304 2B, 15/10	6F112504T011 (DX)
				6F112504T012 (SX)
3.	SFOL002	GLASS REBATE PROFILE SUPPORT BRACKET	GALVANIZED SHEET 15/10	6IV1250F0002 (SX)
				6IV1250F0001 (DX)
4.	PP042	BASIN STOPPER INSULATION	POLYSTYRENE D.30	2PP096040006
5.	TT0G013	TOP BAFFLE PROFILE	PVC	2F1125040007
6.	PP013	BASIN STOPPER		6PP096040000 (DX)
				6PP096040001 (SX)
7.	RG110.2	PLATFORM SUPPORT AND AIR OUTLET GRID	STAINLESS STEEL AISI304 15/10	4281936 (DX)
				4282029 (SX)
8.	TT0H014	GUIDE FOR SLIDING ACCESORIES	STAINLESS STEEL AISI304 8/10	6F1125010028
9.	TT0H013	BLIND WIREWAY	PLAST. SHEET 8/10	6F1125010007
10.		WORKING TABLE FIRENZE		2F112501T001
11.	TT0H004	BACK PLATFORM SUPPORT	IRON SHEET 20/10	6F1125010011(SX)
				6F1125010009(DX)
12.	TT2G008	BASIN BACK SUPPORT OMEGA	STAINLESS STEEL AISI304 2B, 15/10	6F112504T010

1.3.1. BOTTOM BASIN ASSEMBLY



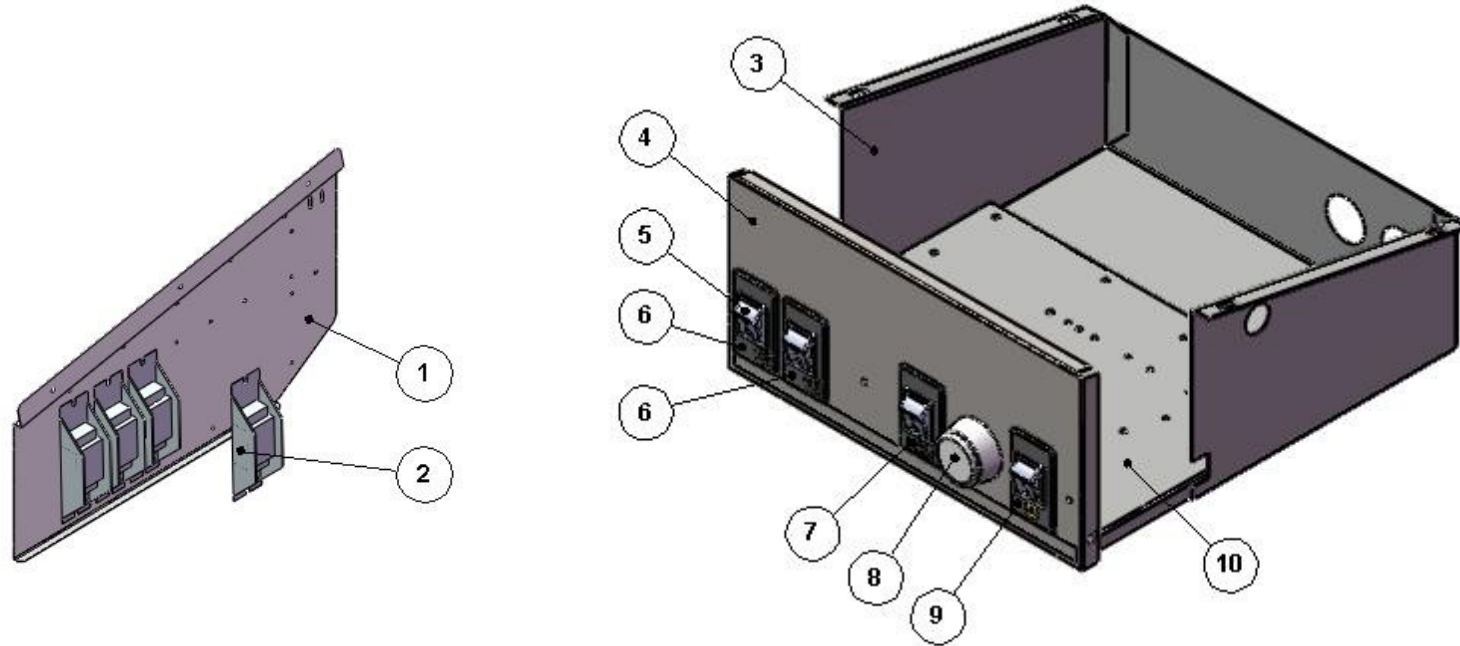
ITEM NUMBER	DOCUMENT NUMBER	TITLE	MATERIAL	PART NO. FOR MODULE
				1250
1.		SPLINE	WOOD 80 X 50 X 630	
2.	TT0B014	LOADING SLIDE	SPRUCE WOOD	4321345
3.		LATERAL FRAME		
4.		BALLASTS HOLDER PANEL		
5.		DRAIN NUT 1" 1/2 GAS	ABS	4102132
6.		NUT EXCELLEN. H90 D32-10106	ABS	4102125
7.		NUT 10124 1"1/2 GAS L.75 MM	ABS	4102132
8.		DRAIN NUT D32	ABS	
9.		NUT D. 20	ABS	4102101
10.		DRAIN NUT D. 20	ABS	4102101
11.	SF21001	DRAIN – LOAD SUPPORT BOARD	GALVANIZED SHEET 10/10	6IV12504T102
12.		CONTROL BOARD HS + I.L.S.O I.		2FI12502T000

1.3.1.1. LATERAL FRAME



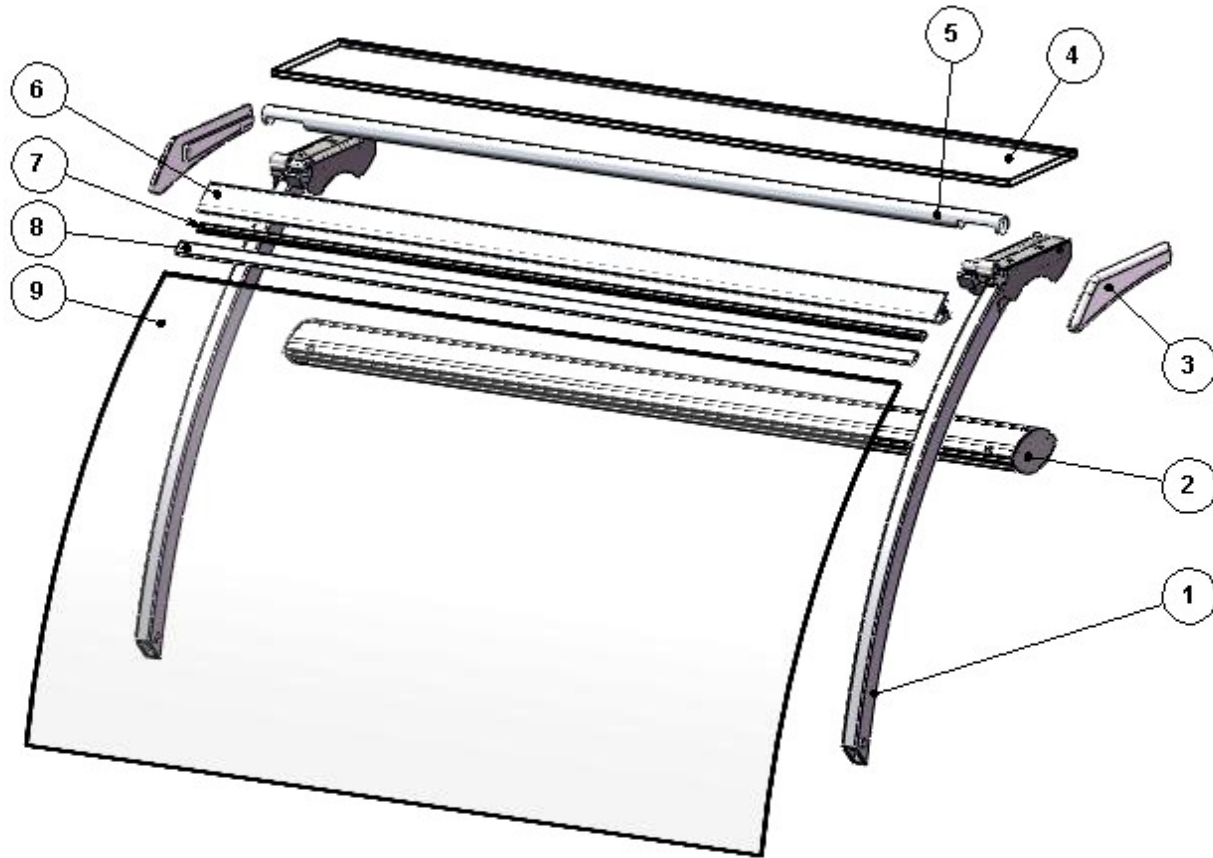
ITEM NUMBER	DOCUMENT NUMBER	TITLE	MATERIAL	PART NO. FOR MODULE
				1250
1.	SF0B001	FRAME	ALUMINIUM ALLOY	2IV125060001
2.	SF0B 010	CASE FIXING BRACKET	GALVANIZED SHEET 10/10	6IV125060003 (SX) 6IV125060002 (DX)
3.		NUT SPACER M14	GALVANIZED IRON	
4.		BOLT M12X45	GALVANIZED STEEL	
5.	SF0B008	LOADING SLIDE FIXING BRACKET	IRON SHEET 30/10	4282832
6.	SF0B004	LATERAL FRAME CLOSURE	GALVANIZED SHEET 10/10	2IV125080014 (SX) 2IV125080004 (DX)
7.	SF0B005	SPRING FOR LATERAL CLOSURE COUPLIG	STAINLESS STEEL AISI301 5/10	4282798
8.	SF0B003	CASE CLOSURE	ABS	4100339 (SX) 4100338 (DX)
9.	SF0J007	FRONT SIDE WALL STOPPER	GALVANIZED SHEET 7/10	2IV125070005 (SX) 2IV125070004 (DX)
10.		STOPPER P.V.C.CHROMED D.25 S.T.1		4333107

1.3.1.2. BALLASTS HOLDER PANEL AND CONTROL BOARD HOT SECTION



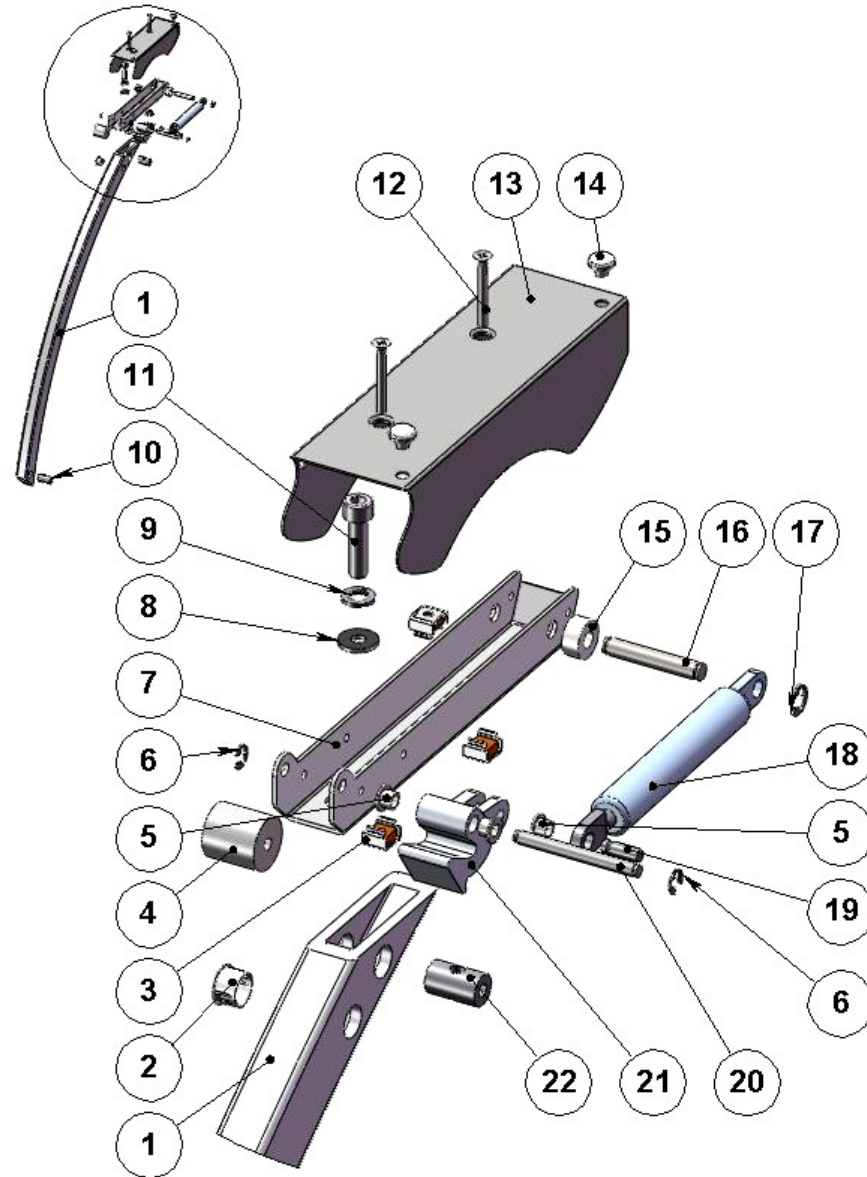
ITEM NUMBER	DOCUMENT NUMBER	TITLE	MATERIAL	PART NO. FOR MODULE				
				1250				
1.		BALLASTS PANEL	IRON SHEET 10/10	2IV125090003				
2.		BALLAST		15W	18 – 20 W	30W	36 – 40 W	58 – 65 W
				4115106	4115102	4115103	4115104	4115105
3.	RG053	ELECTRICAL COMPONENT COMPARTIMENT (310X230)	GALVANIZED SHEET SKIMPAS, 7/10	6SV096020002				
4.	VLTC068Q	FRONT CONTROL BAIN MARIE R.I.	PLASTICIZED SHEET N38PP, 6/10	6KV000000284				
5.		BLACK BIPOLAR SWITCH R515KKFTOFA BOARD		4113524				
6.	RG040	ADHESIVE LIGHT PLATE "SIGMA"		4335638				
7.	RG058	RESISTOR PLATE		4335639				
8.		THERMOSTAT TR/86 30900-05 +30°+90°		4130107				
9.	RG059	FANS PLATE		4335640				
10.	RG054	ELECTRICAL COMPONENTS SUPPORT (BOARD HOLDER)	GALVANIZED SHEET 10/10	6SV096020003				

2. GLASSES SUPERSTRUCTURE



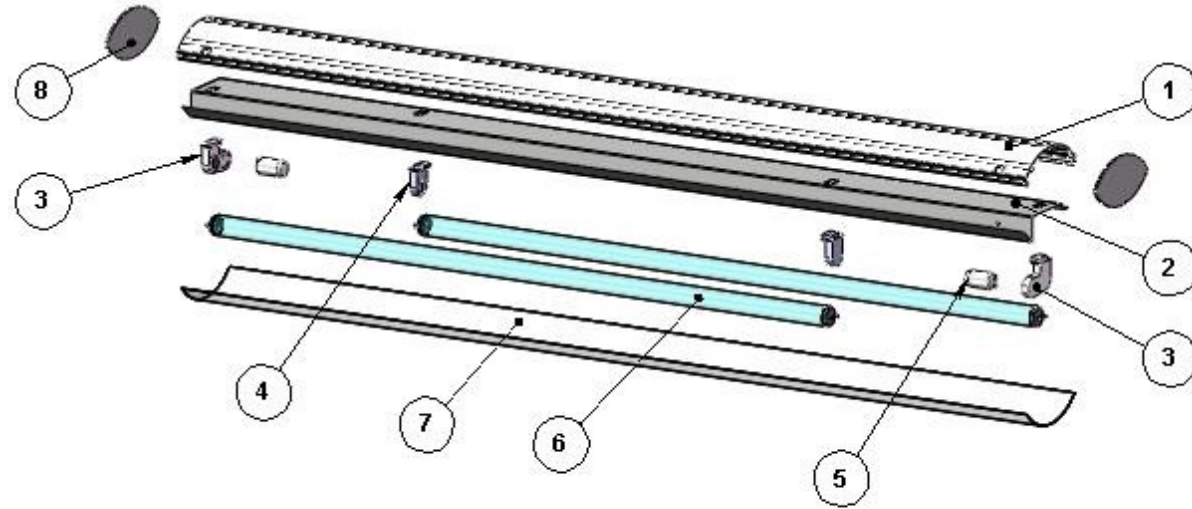
ITEM NUMBER	DOCUMENT NUMBER	TITLE	MATERIAL	PART NO. FOR MODULE
				1250
1.		LATERAL UPRIGHT		
2.		TOP CEILING LAMP FI		2FI125030009
3.	SF0M003	GLASS SIDE HEAD	RIM / PUR D. 350 Kg/m ³	2IV125080013 (SX)
4.	SF0D002	HEAD GLASS	FLOAT 10mm	2IV125080003 (DX)
5.	SF0D021	LEVER CLOSURE TUBE	ALUMINIUM TUBE Ø28 Th. 1.5	4199915
6.	TT0D011	JAW PROFILE	JAW ALUMINIUM PROFILE	2IV125030006
7.	TT0D031	JAW INSERT PROFILE	ALUMINIUM PROFILE E5628A	4190739
8.		GLASS GASKET PROFILE	PVC	2FI125030008
9.	RG004.1	CURVED GLASS R1000, L.1250	FLOAT 6 mm	4180100
				4190739

2.1. LATERAL GLASS UPRIGHT



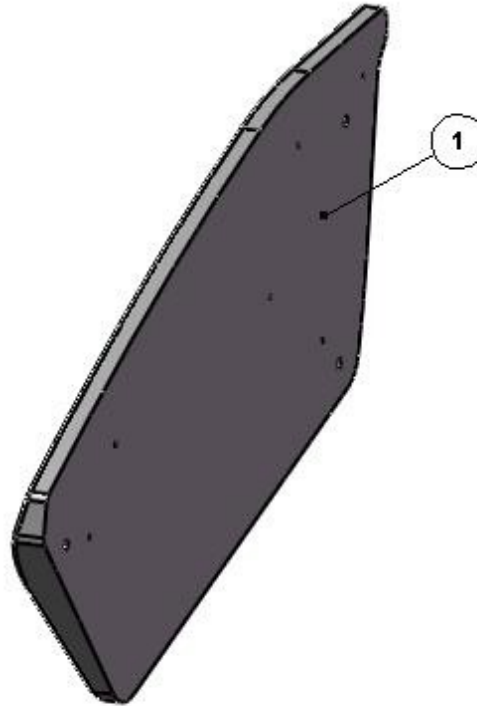
ITEM NUMBER	DOCUMENT NUMBER	TITLE	MATERIAL	PART NO. FOR MODULE
				1250
1.	TT0D002	CURVED FRONT UPRIGHT	ALLOY 6060 T5	4351209
2.		WHITE STOPPER DP500	PLASTIC	4333114
3.		CAGE NUT M5		
4.		SPACER WITH HOLE	NYLON	4331409
5.	ECAV 016	PISTON BUSH	NYLON	8291718
6.		SEGGER 5	GALVANIZED STEEL	8298303
7.	TT 0D001	LEVER SUPPORT	IRON SHEET 20/10	2FI125030013
8.		PLAIN WASHER 8X24	GALVANIZED STEEL	
9.		GROWER M8		
10.	RG072	BACK GLASS UPRIGHT PIN	STEEL BAR Ø15	4140070
11.		BOLT TCEI M8X30	GALVANIZED STEEL	
12.		BOLT TS+ M5X35	STAINLESS STEEL	
13.	SF0D017	LATERAL LEVER COVER	GALVANIZED SHEET 15/10	2IV125030004 (SX)
				2IV125030003 (DX)
14.		RUBBER BUFFER		4332602
15.		SPACER WITH HOLE DCS79B 6R ELECTROZUB	NYLON	
16.	TT0D005	LATERAL BACK PIN	GROUND DRAWN STEEL Ø8	4140086
17.		SEGGER 7	GALVANIZED STEEL	8298304
18.		PISTON VS-SV R 1000 084034 700 N	STAINLESS STEEL	4145022
19.	ECAV018	PISTON FRONT PIN	GROUND DRAWN STEEL Ø6	
20.	TT0D003	LATERAL FRONT PIN	GROUND DRAWN STEEL Ø6	4140085
21.	AV011	ROTATION LEVER PRESSOFUS	ALUMINIUM ALLOY	4282114 (SX)
				4282113 (DX)
22.	TT0D013	GLASS UPRIGHT PIN	STEEL BAR Ø15	4140088

2.3. CEILING LAMP



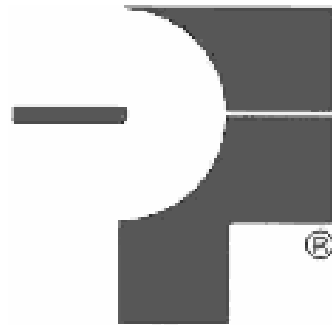
ITEM NUMBER	DOCUMENT NUMBER	TITLE	MATERIAL	PART NO. FOR MODULE
				1250
1.	TT0E002	CEILING LAMP PROFILE	ANODIZED ALUMINIUM	2F1125030010
2.	TT0E014	TOP LAMPS HOLDER	PLASTICIZED SHEET 8/10	6F1125030011
3.		LAMPS HOLDER + STARTERS HOLDER STUCCHI 255/C	PVC	4114710
4.		LAMP HOLDER STUCCHI 255/S 2A 250V	PVC	4114709
5.		UNIVERSAL STARTER FS 11		4116001
6.		NEON 30 W/76 D.26 L.900		4114510
7.	TT0E015	TOP POLYCARBONATE CEILING LAMP	POLYCARBONATE 7/10	6F1125030012
8.	CC0D023.1	PLEXIGLAS FOR CEILING LAMP	OPAL GLASS 3mm	4082305

3. LATERAL SIDE WALL



ITEM NUMBER	DOCUMENT NUMBER	TITLE	MATERIAL	PART NO. FOR MODULE
				1250
1.	SF0M001	SIDE WALL SYNUS POL. PAINTED	POLYURETHANE Thickness 50mm	2IV125080012 (SX)
				2IV125080002 (DX)





pastorfrigor^{Spa}

Regione Gabannone, 4 – Zona Industriale
15030 TERRUGGIA (AL) ITALY
Tel. +39 0142 433711
Fax. +39 0142 433700