

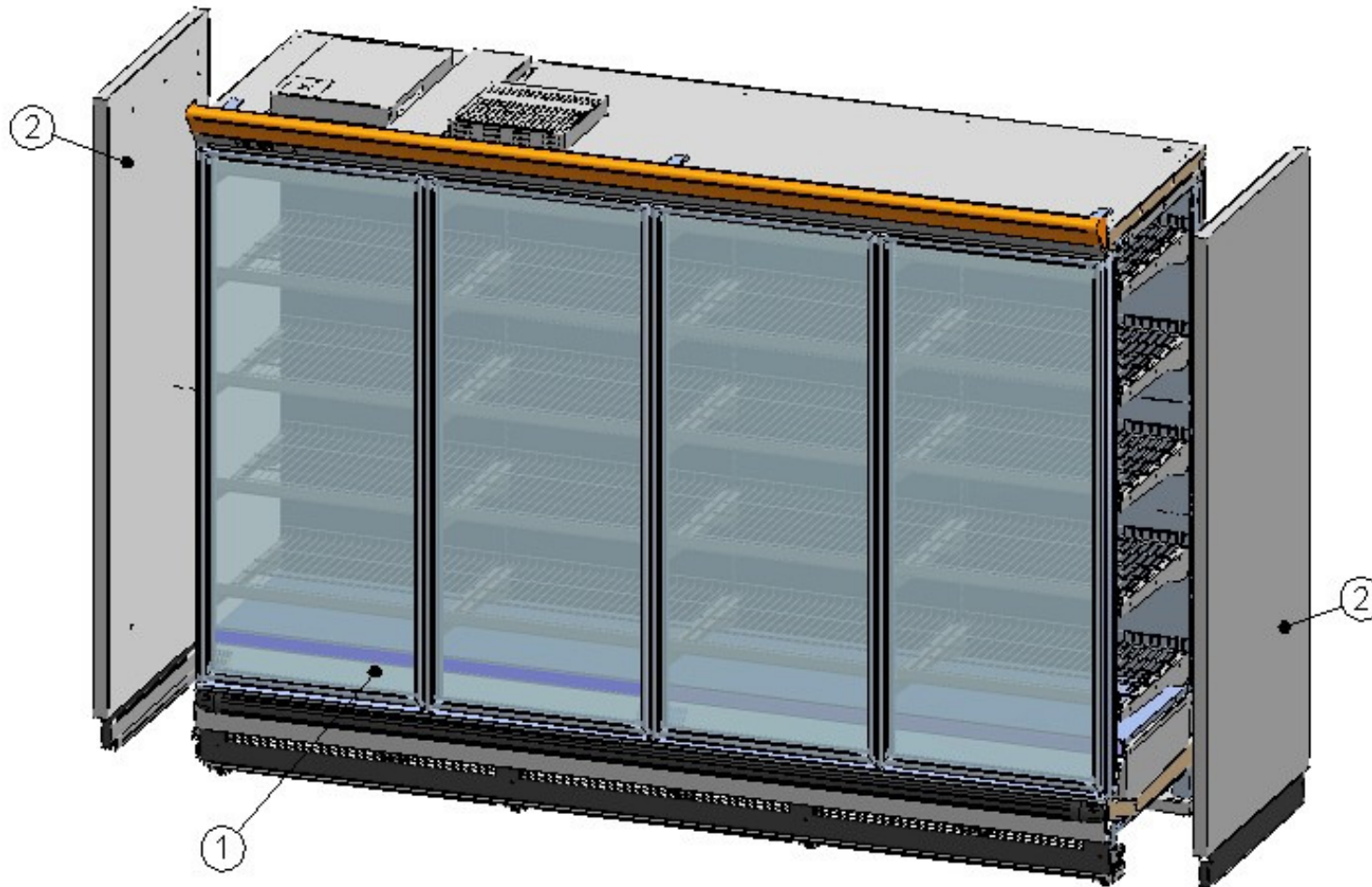


EXPLODED VIEW

TORINO

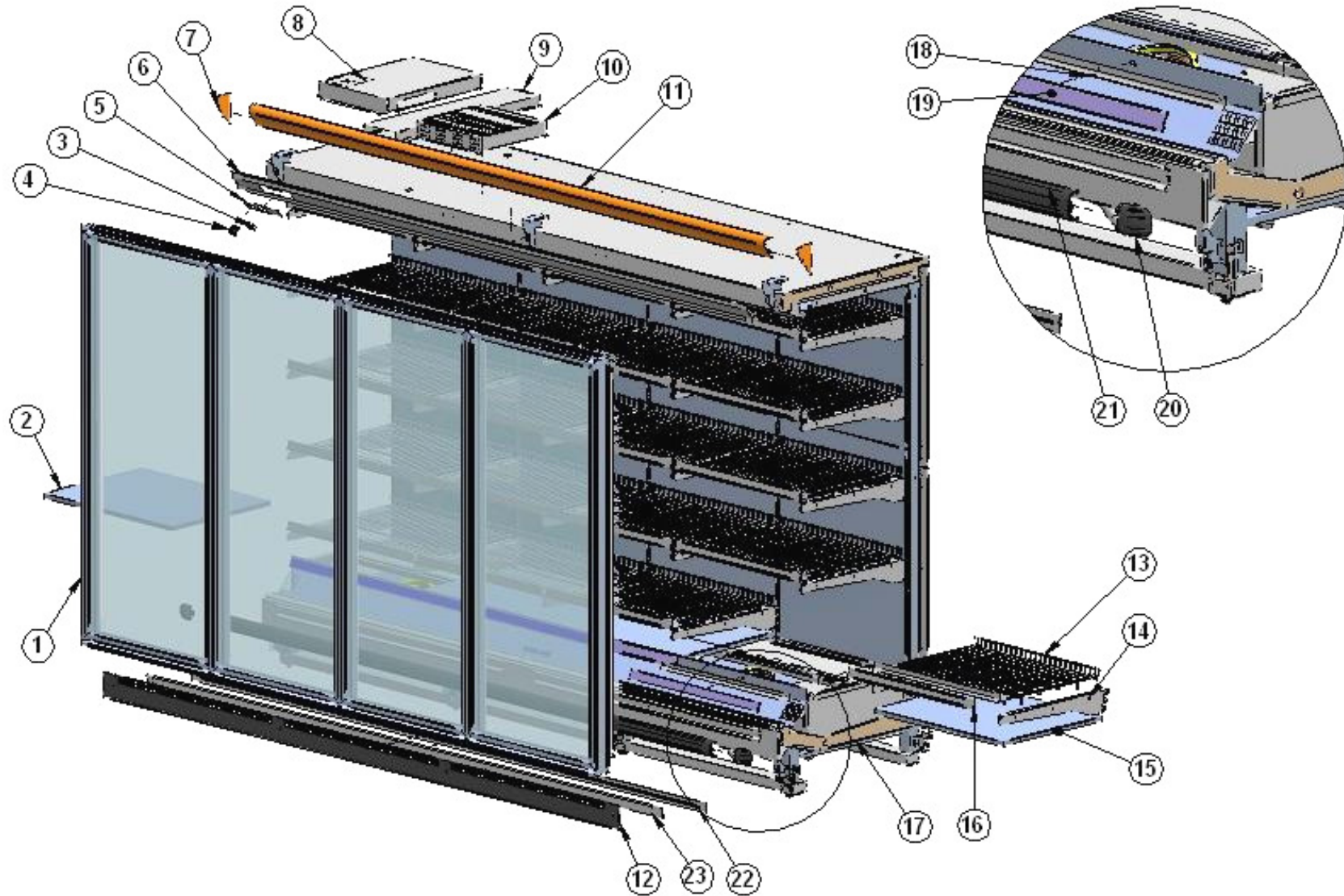


GENERAL SPLITTING UP



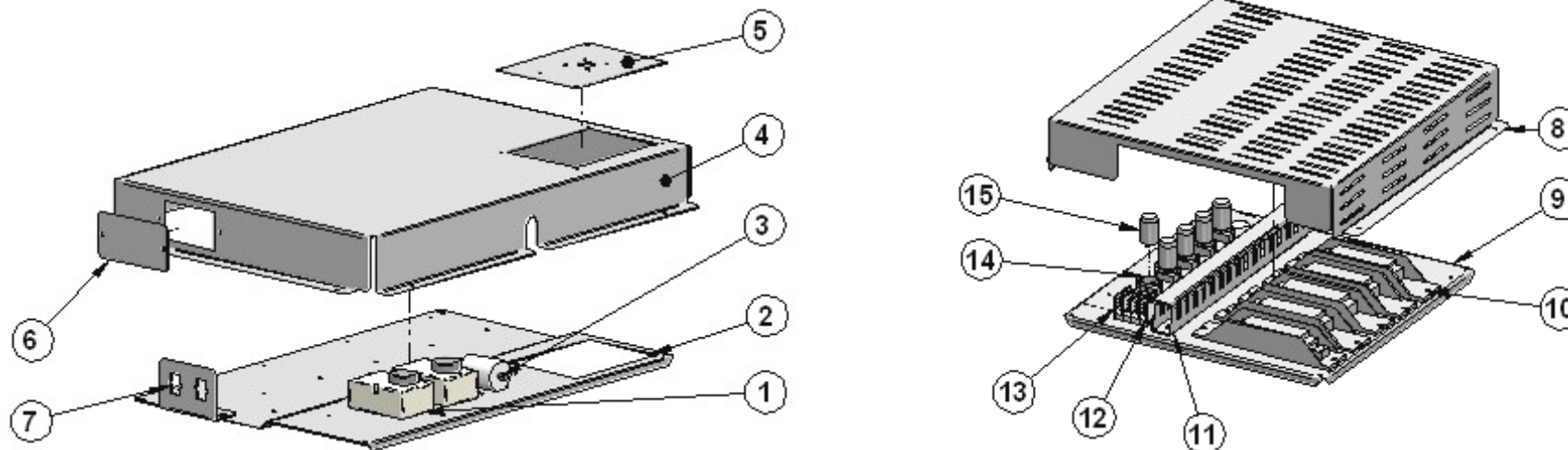
1. INTERNAL FINISH, FRONT DECORATION
2. LATERAL SIDE WALL

1. INTERNAL FINISH, FRONT DECORATION



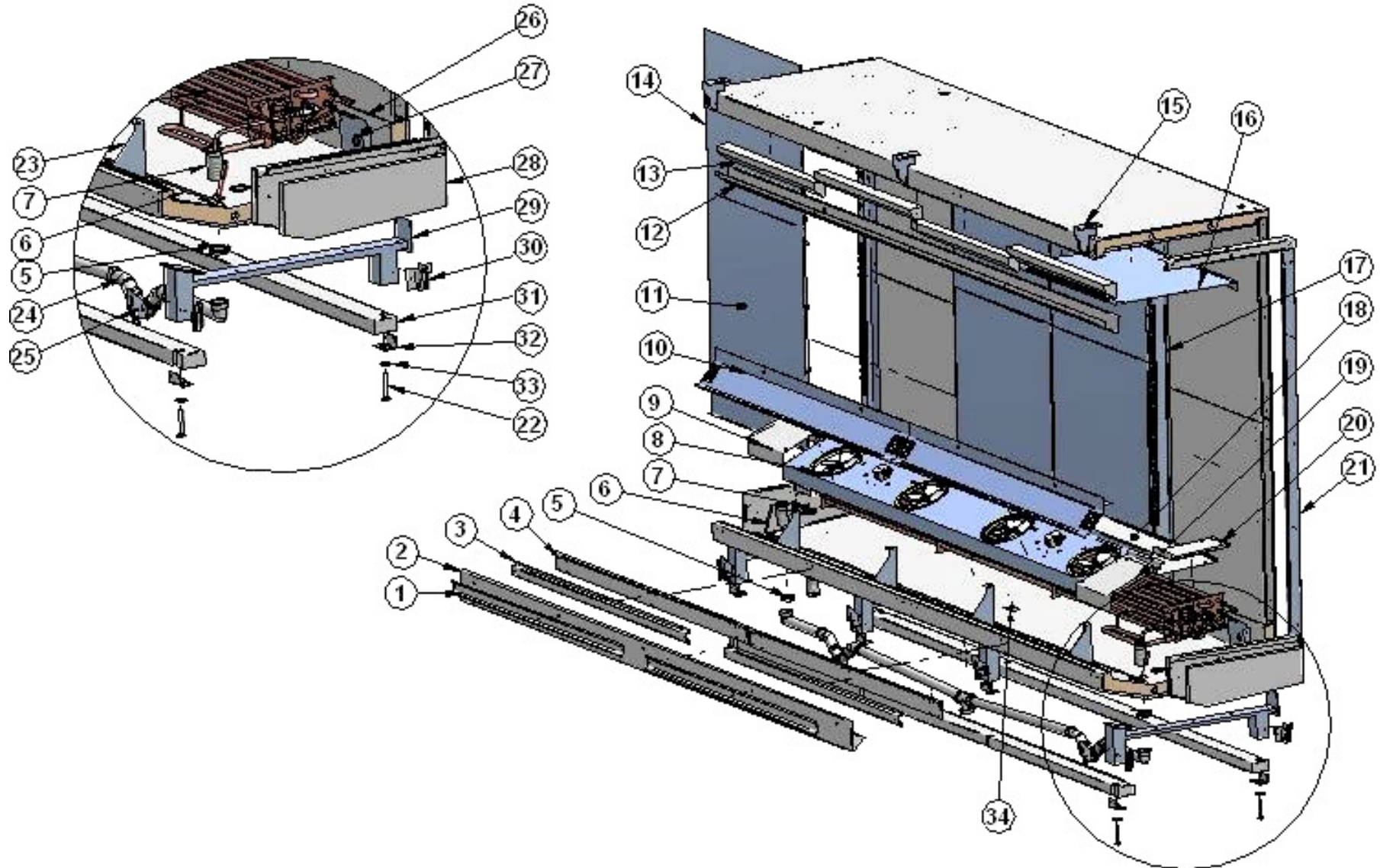
ITEM NUMBER	DOCUMENT NUMBER	TITLE	MATERIAL	PART NO. FOR EACH MODULE			
				2P	3P	4P	5P
1.		4 DOORS TORINO 3119 H225		2T-156060210	2T-234060210	2T-311060210	2T-389060210
2.	TO BT-028	BOTTOM PLATE WITH HOLE, PAINTED		2T-1560A0005			
3.		DIGITAL THERMOMETER CC10030000-A		4131307			
4.		BLACK BIPOLAR SWITCH R515KKFTOFA BOARD		4113524			
5.	TO BT-035	LIQUID CRYSTALS THERMOMETER PLATE, PAINTED	GALVANIZED SHEET 10/10, PAINTED	2T-156020007			
6.	TOJ001	TOP CONTROL HOLDER PAINTED	GALVANIZED SHEET 10/10, PAINTED	2T-156070203	2T-234070203	2T-311070203	2T-389070203
7.	TOM003	TOP HEAD MI-TO PAINTED	GALVANIZED SHEET 15/10, PAINTED	2M-187080408			
8.		TERMINAL CONTROL BOARD TORINO		2T-156020031			
9.	TOC001	CABLE OUTLET TOP COVER	GALVANIZED SHEET 10/10	6T-156020225			
10.		ELECTRICAL INSTALLATION		2T-156020220	2T-234020220	2T-311020220	2T-389020220
11.	TOJ008	TOP PROFILE PAINTED	TOP ALUMINIUM PROF. SILVER-PLATED	2T-156070201	2T-234070201	2T-311070201	2T-389070201
12.	TO BT-060	FRONT BASE	PLAST. N12SM; 8/10	6T-156070009	6T-234070009	6T-311070009	6T-389070009
13.	BT-027	SHELF GRID + JOINT GUIDE VER.TO		2T-1560A0009			
14.	TO BT-002	CONSOLE FOR PAINTED SHELF TORINO		2T-1560A0010 (DX)			
				2T-1560A0012 (SX)			
15.	TO BT-028	BOTTOM PLATE WITH OUT HOLE, PAINTED		2T-1560A0003			
16.	TO BT-070	PRICE HOLDER PROFILE	PVC	2T-1560A0013			
17.		BASIN INTERNAL FINISH					
18.	TO BT-179	PRICE HOLDER SUPPORT	GALVANIZED SHEET SKIMPAS; 7/10	6T-1560A0014			
19.	TO BT-180	PRICE HOLDER PROFILE BOTTOM PLANE	PVC	2T-1560A0015			
20.	7J 014	GREY TROLLEY STOPPER TERMINAL	PVC	2GE125080015 (DX)			
				2GE125080035 (SX)			
21.	TOJ007	GREY TROLLEY STOPPER PROFILE	PVC	2T-156070207	2T-234070207	2T-311070207	2T-389070207
22.	TO BT-074	FRONT MINIGONNA PROFILE		2T-156070012	2T-234070012	2T-311070012	2T-389070012
23.	TO BT-062	FRONT BASE FINISH	PLAST. N12SM; 8/10	6T-156070011	6T-234070011	6T-311070011	6T-389070011

1.1. TERMINAL CONTROL BOARD AND ELECTRICAL INSTALLATION



ITEM NUMBER	DOCUMENT NUMBER	TITLE	MATERIAL	PART NO. FOR EACH MODULE			
				2P	3P	4P	5P
1.		THERMOSTAT COD.120223 MOD.F/2000		4130115			
2.	MIC007	TERMINAL BOARD PLATE		6M-187020003			
3.		FILTER SUPPRESION FILTER		4112402			
4.	MIC006	TERMINAL BOARD PLATE COVER		6M-187020037			
5.	TO BT-057	ISOLATOR PLATE		6T-156020026			
6.	TO BT-110	PLOUGHING UP COVER PANEL FOR CONNECTOR		6T-156020027			
7.	TO BT-109	CONNETTOR. SUPPORT BRACKET		6T-156020003			
8.	TO BT-053	BALLAST HOLDER COVER		6T-156020023			
9.	TO BT-058	BALLAST PLATE - STARTER		6T-156020022			
10.		BALLAST 58 - 65 W		4115105			
11.		WIREWAY 25 X 40	PVC	4110407			
12.		FINAL CLAMP PA 81		4113703			
13.		FASTON FASTON CLAMP PA 80		4113702			
14.		INSERT STARTER HOLDER		4114801			
15.		UNIVERSAL STARTER FS 11		4116001			

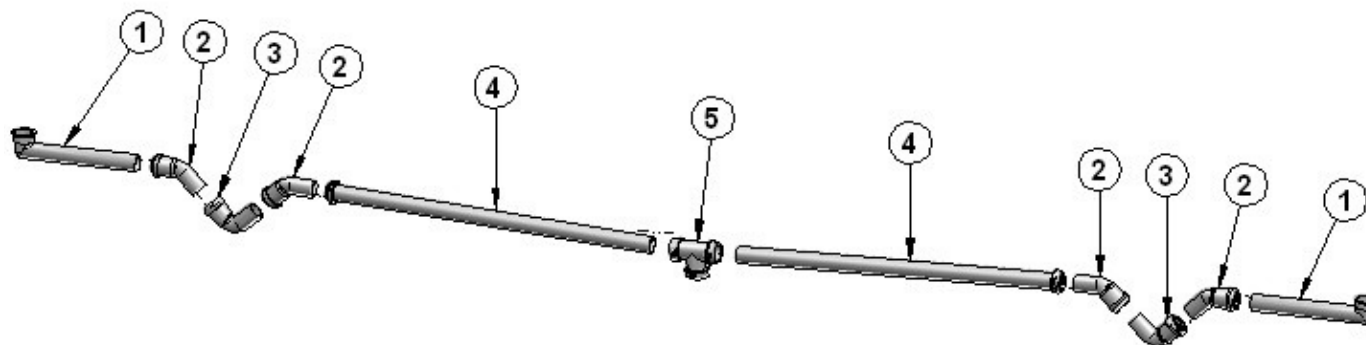
1.2. BASE DECK INTERNAL FINISH



ITEM NUMBER	DOCUMENT NUMBER	TITLE	MATERIAL	PART NO. FOR EACH MODULE			
				2P	3P	4P	5P
1.	TOJ005	FRONT TROLLEY STOPPER SPRING	GALVANIZED SHEET SKIMPAS; 7/10	6T-156070206	6T-234070206	6T-156070206	6T-156070206
2.	TOJ004	LOW FRONT	GREY PLAST. N1; 6/10	6T-156070204	6T-234070204	6T-311070204	6T-389070204
3.	TOJ006	FRONT OMEGA SUPPORT TROLLEY STOPPER SPRING	GALVANIZED SHEET SKIMPAS; 7/10	6T-156070205	6T-234070205	6T-156070205	6T-156070205
4.	TOA003	LOWER DOOR SUPPORT	GALVANIZED SHEET 7/10	6T-156060201	6T-234060201	6T-156060201	6T-156060201
5.		DRAIN NUT 1'1/2					
6.	TO BT-008	STAINLESS STEEL HEATER 80W/MT 250W		4120953	4120954	4120955	4120956
7.		DRAIN 33590 1'1/2 GAS L.95 MM		4102133			
8.		FAN HOLDER ASSEMBLY		2T-156040016	2T-234040016	2T-311040016	2T-389040016
9.	TO BT-034	DRAIN INSPECTION COMPARTMENT	GALVANIZED SHEET SKIMPAS; 7/10	6T-156040013 (DX)			
				6T-156040014 (SX)			
10.	TO BT-001	AIR SHOOTING MASK	GALVANIZED SHEET 10/10 PAINTED	2T-156040003	-	2T-156040003	2T-156040003
	TO BT-184	AIR SHOOTING MASK	GALVANIZED SHEET 10/10 PAINTED	-	2T-234040003	-	-
11.	TO BT-015	LOWER AIR OUTLET PANEL	GALVANIZED SHEET SKIMPAS; 7/10	2T-156040057			
12.	TO BT-045	TOP AIR DIVERter PANEL , PAINTED	GALVANIZED SHEET SKIMPAS; 7/10	2T-156040021	2T-234040021	2T-311040021	2T-389040021
13.	BT-005	TOP AIR DIVERter INSULATION PST		4080673			
14.	TO BT-017	TOP AIR OUTLET PANEL, PAINTED	GALVANIZED SHEET SKIMPAS; 7/10	2T-156040009			
15.	TOJ003	EXTERNAL CEILING BRACKET	GALVANIZED SHEET 15/10	6T-156070202			
16.	TO BT-115	AIR OUTLET CEILING LATERAL PANEL , PAINTED	GALVANIZED SHEET SKIMPAS; 7/10	2T-234040026 (DX)			
				2T-234040028 (SX)			
17.	TO BT-014	CENTRAL RACK , PAINTED					
18.	TO BT-036	EVAPORATOR COVER	GALVANIZED SHEET SKIMPAS; 7/10	6T-156040010	6T-234040010	6T-311040010	6T-389040010
19.		EVAPORATOR ASSEMBLY BT SC.V.R404 S.		2T-156140001	2T-234140001	2T-311140001	2T-389140001
20.	TO BT-038	VALVE INSPECTION COMPARTMENT	GALVANIZED SHEET SKIMPAS; 7/10	6T-156040011 (DX)			
				6T-156040012 (SX)			
21.	TO BT-023	LATERAL RACK , PAINTED		2T-156040096 (DX)			
				2T-156040098 (SX)			
22.		SCREW TTQST M12X80	GALVANIZED STEEL	4331411			
23.	TO BT-016	AIR SHOOTING SUPPORT FRONT BRACKET / BOTTOM PLANE		6T-156040001			
24.	TO BT-077	DRAIN		2T-156050000	2T-234050000	2T-311050000	2T-389050000
25.	TO BT-061	BASE SUPPORT BRACKET		6T-156070010			

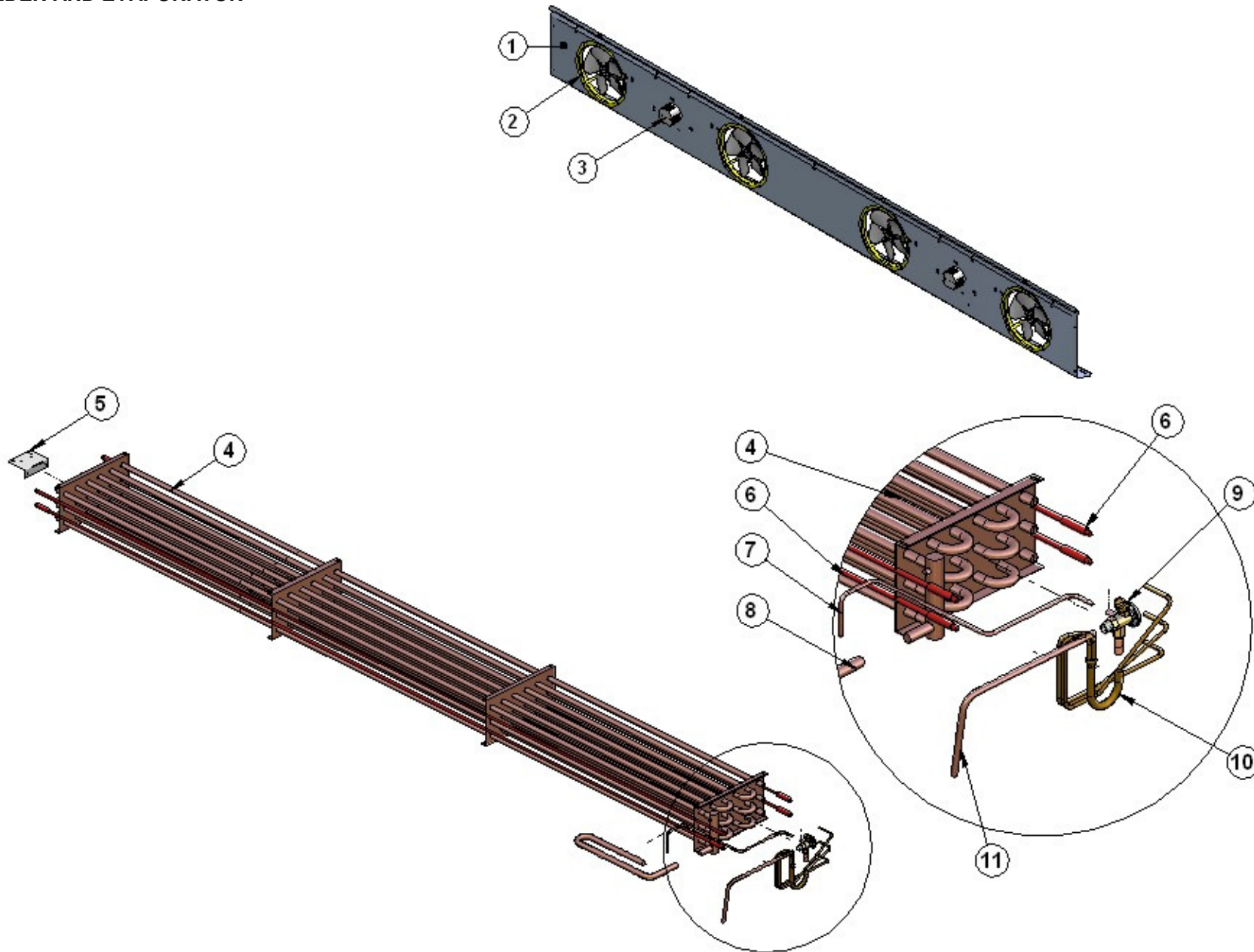
ITEM NUMBER	DOCUMENT NUMBER	TITLE	MATERIAL	PART NO. FOR EACH MODULE			
				2P	3P	4P	5P
26.	TO BT-037	EVAPORATOR HEAD	GALVANIZED SHEET SKIMPAS; 7/10	6T-156040018			
27.		FAIRLEAD RUBBER D.25 EZDG21		4113102			
28.	TO BT-076	STOPPER INSULATION		4080675			
29.	TO BT-003	GALVANIZED FRAME TORINO		4280252			
30.	1B-054	LATERAL BASE SUPPORT BRACKET		6V-125080021 (DX)			
				6V-125080022 (SX)			
31.	TO BT-068	WOOD SLIDE TORINO		4321342			
32.	1L-005	BRACKET FOR MOVEMENT SLIDE		4282799			
33.		RING 12 X 36	ZINC.	8295064			
34	TO BT-046	AIR CLOSURE HEATER / DRIP STOP		6T-156040023 (DX)			
				6T-156040024 (SX)			

1.2.1. DRAIN



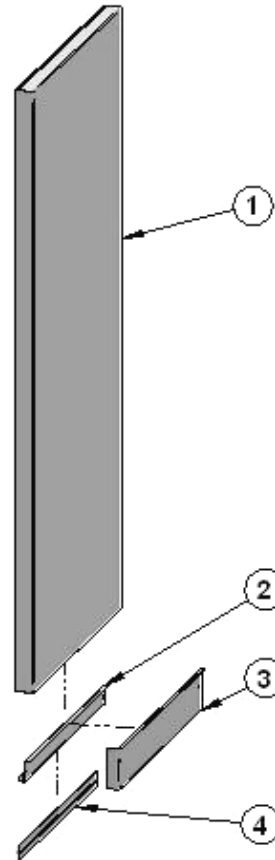
ITEM NUMBER	DOCUMENT NUMBER	TITLE	MATERIAL	PART NO. FOR EACH MODULE			
				2P	3P	4P	5P
1.		ALPHA" CURVE D40 2431 FINISH		4102164			
2.		HTB D.40 - 45° ELBOW "ALPHA" 802		4102168			
3.		HTB D.40 - 87° ELBOW		4102157			
4.		NIPREN TUBE PP HTEM D.40 MT1,5 800		4102141			
5.		TEE FINISH "ALPHA" 40 2403 SMOOTHED		4102166			

1.2.2. FANS HOLDER AND EVAPORATOR



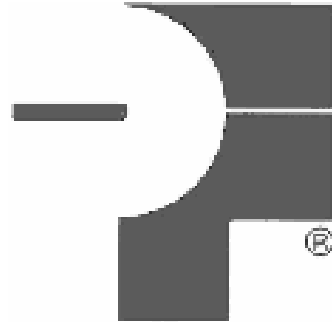
ITEM NUMBER	DOCUMENT NUMBER	TITLE	MATERIAL	PART NO. FOR EACH MODULE			
				2P	3P	4P	5P
1.	TO BT-033	FANS HOLDER	GALVANIZED SHEET SKIMPAS; 7/10	6T-156040017	6T-234040017	6T-311040017	6T-389040017
2.		MOTORFAN 10W – D.200 MM A707		4241013			
3.		SHUNT BOX GEWISS 44404 100X100X50		4115409			
4.	TO BT-006	EVAPORATOR "TORINO"	COOPER TUBE D. 14 X 16 (16 X 1)	4220134	4220135	4220136	4220137
5.	TO BT-075	KLIXON SUPPORT	SILVER PLATED +PLASTICIZED ALUMINIUM 20/10	4050272			
6.	TO BT-009	STAINLESS STEEL HEATER 320W/MT1000W		4120957	4120958	4120959	4120960
7.	TO BT-089	EXTERNAL EQUALIZATION TUBE	COOPER TUBE D. 4 X 6 (6 X 1)	2T-156150004			
8.	TO BT-087	SUCTION TUBE	COOPER TUBE D. 14 X 16 (16 X 1)	2T-156150002			
9.		WELDED VALVE THERMOSTAT.R404 TES/2		4251311			
10.		3 ROUTES DISTRIBUTOR					
11.	TO BT-088	DELIVERY TUBE	COOPER TUBE D. 8 X 10 (10 X 1)	2T-156150003			

2. LATERAL SIDE WALL



ITEM NUMBER	DOCUMENT NUMBER	TITLE	MATERIAL	PART NO. FOR EACH MODULE			
				2P	3P	4P	5P
1.		BLIND SIDE WALL TORINO P90		2T-156080252 (DX)			
				2T-156080272 (SX)			
2.	TO BT-082	LATERAL MINIGONNA SUPPORT	PLAST. N12SM; 8/10	6T-156080012			
3.	TO BT-081	LATERAL BASE SIDE WALL	PLAST. N12SM; 8/10	6T-156080011 (DX)			
				6T-156080031 (SX)			
4.	TO BT-083	LATERAL MINIGONNA PROFILE		2T-156080013			





pastorfrigor^{spa}

Regione Gabannone, 4 – Zona Industriale
15030 TERRUGGIA (AL) ITALY
Tel. +39 0142 433711
Fax. +39 0142 433700