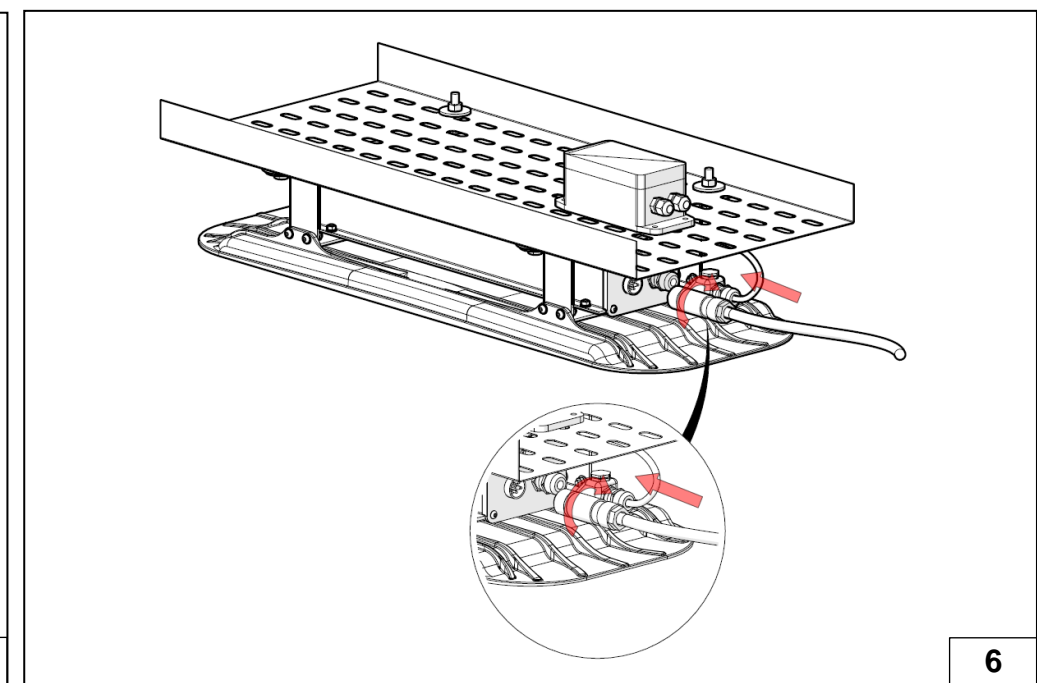
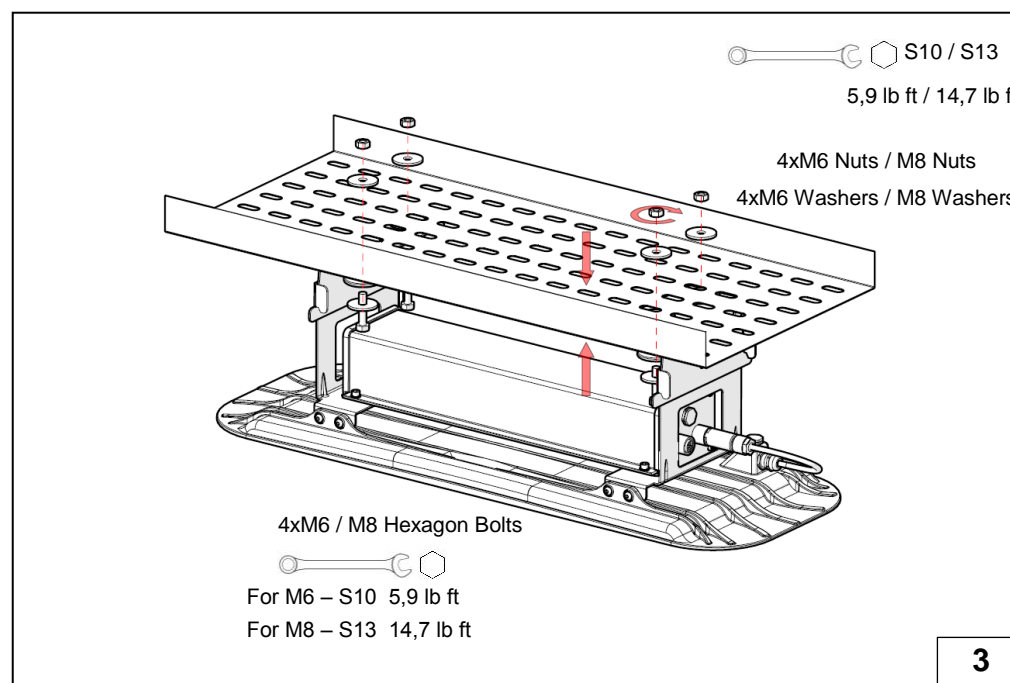
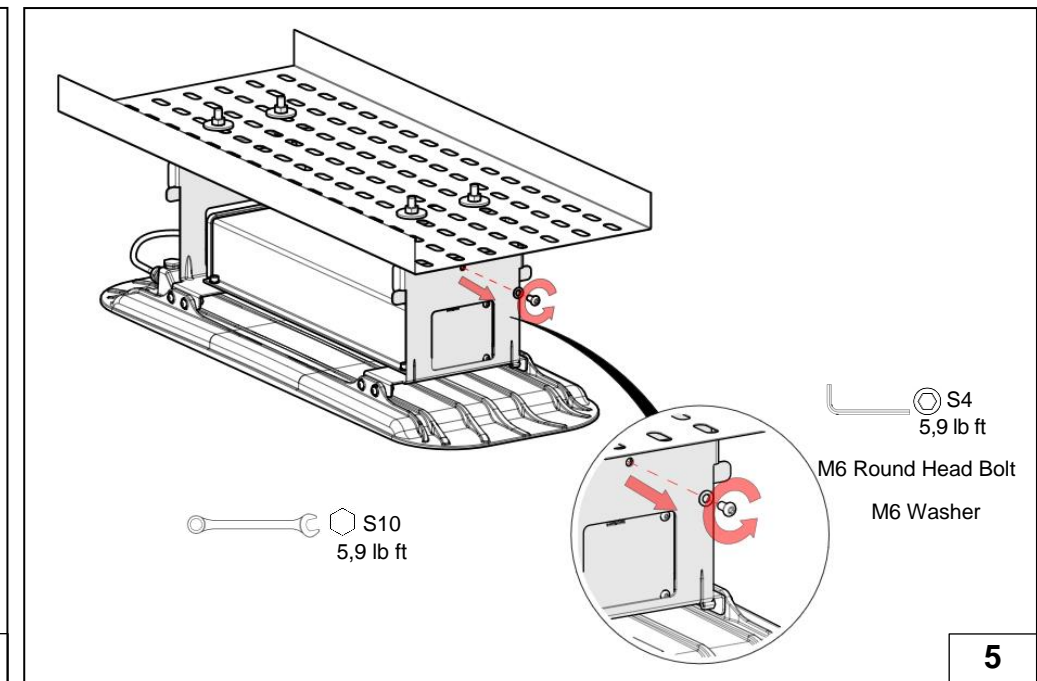
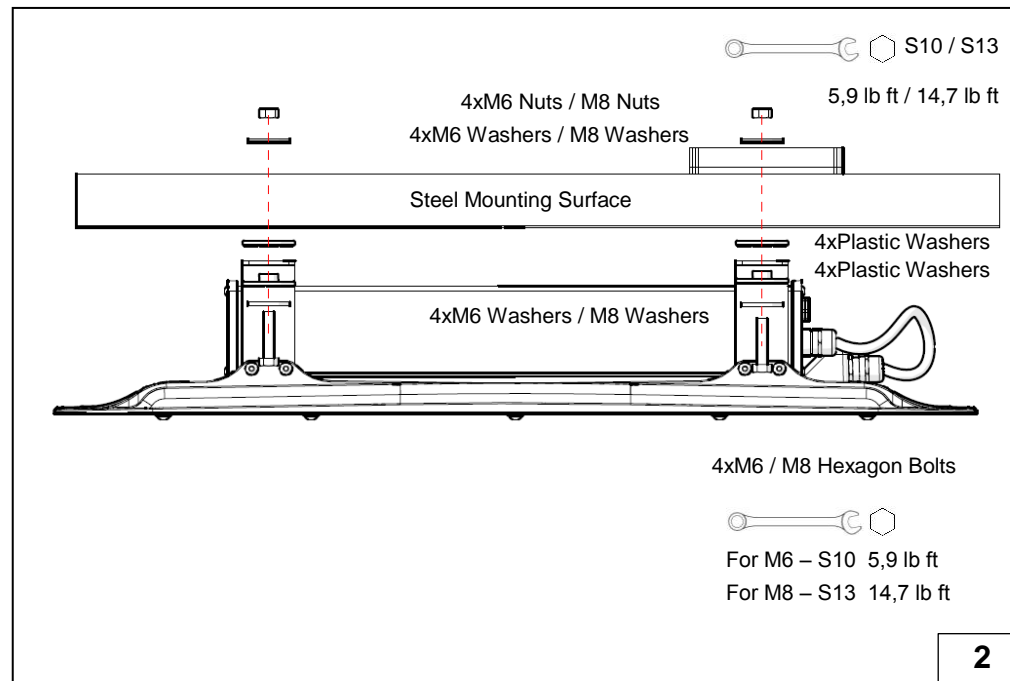
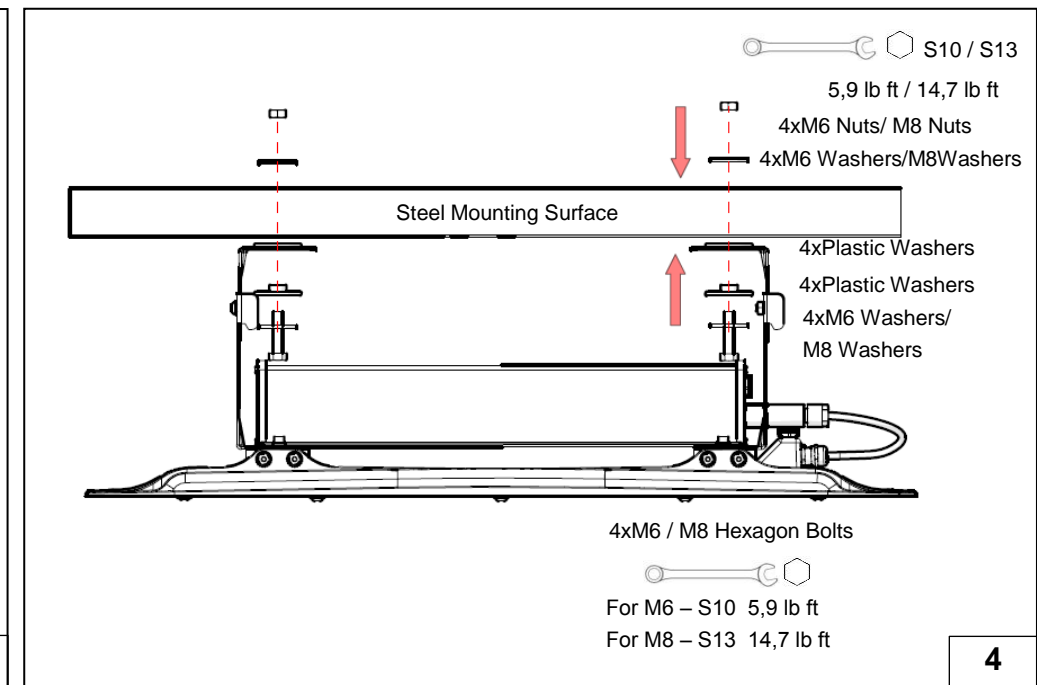
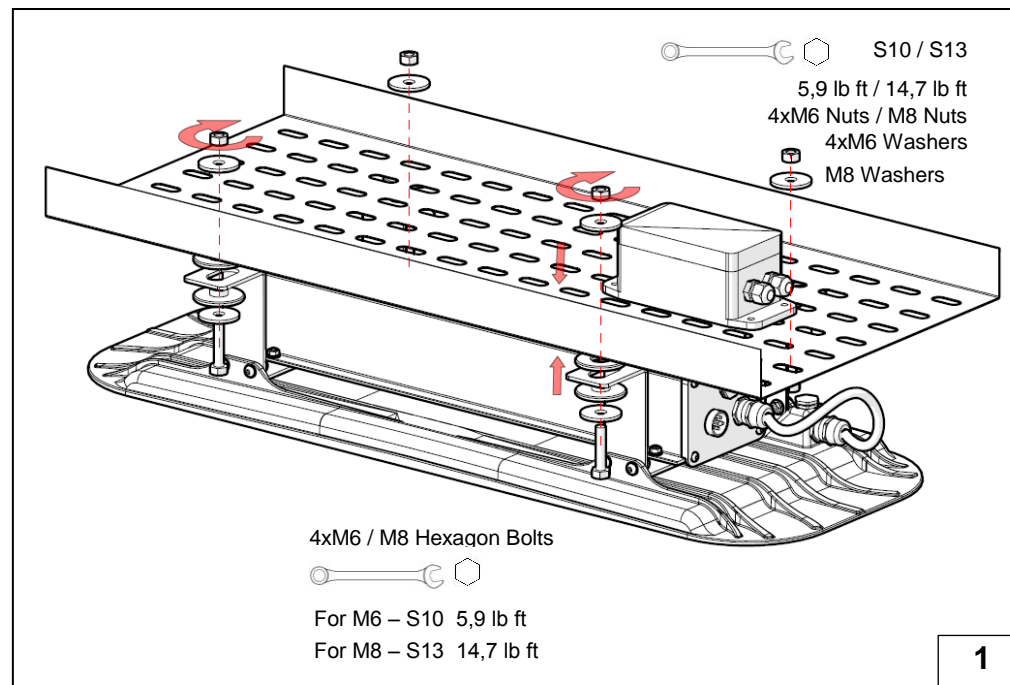


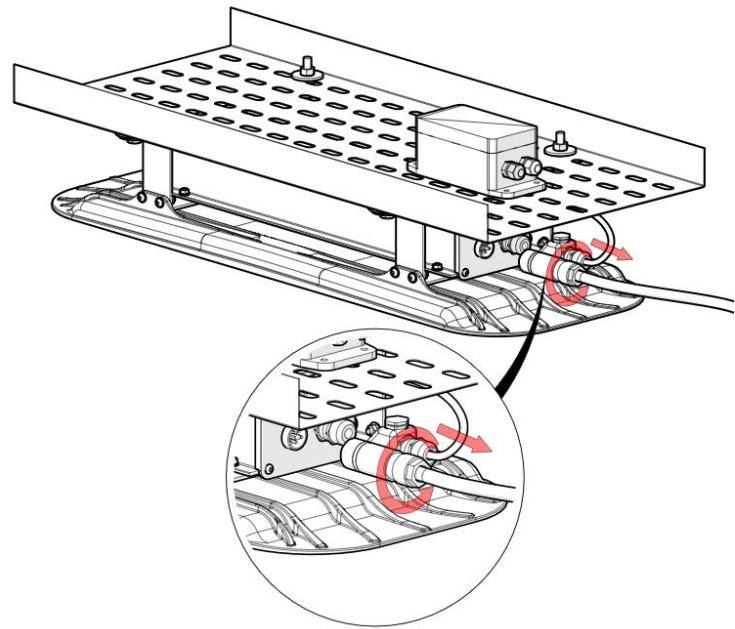


HEPER USA LLC
 W227 N546 Westmound
 Drive Waukesha
 WI 53186 – USA

Tel: +1 917 244 20 32
 info@hepergroup.com
 www.heperlighting.com

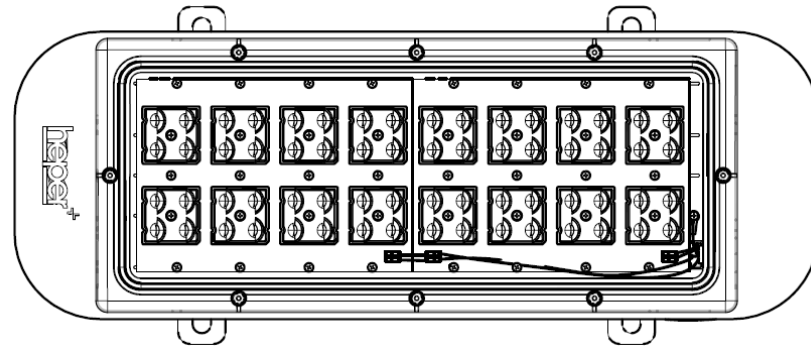
GOLEDO
 Installation&Maintenance Instructions



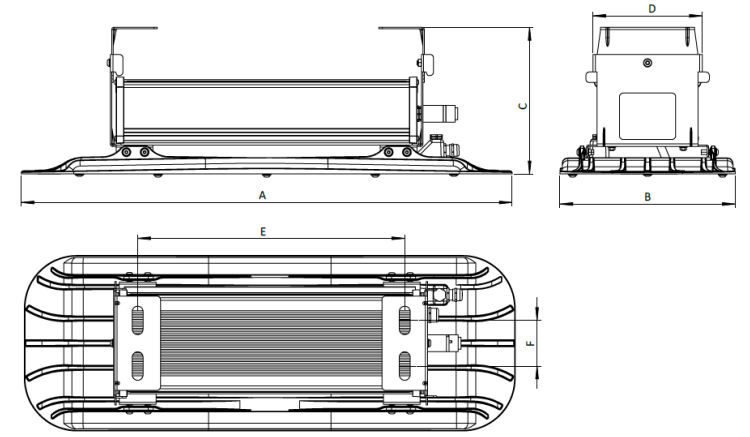


7

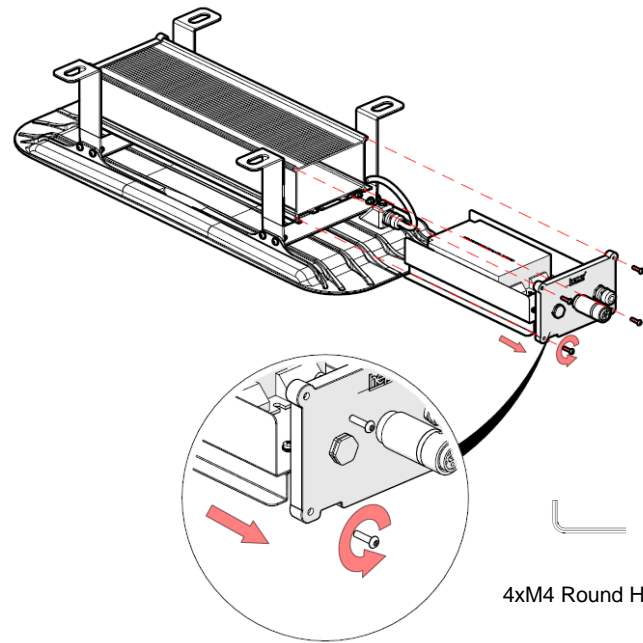
16LOS



10



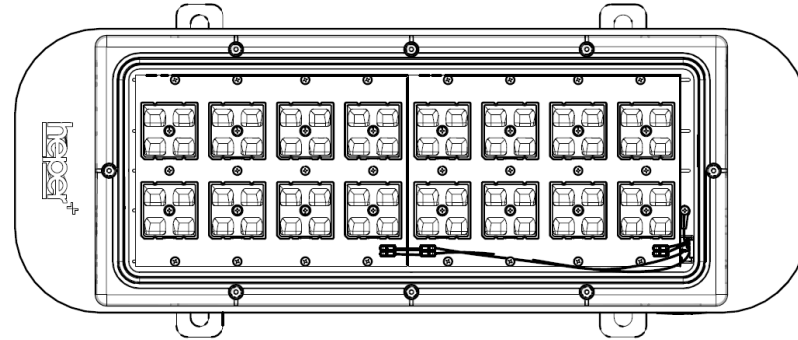
A mm/inch	B mm/inch	C mm/inch	D mm/inch	E mm/inch	F mm/inch	AĞIRLIK WEIGHT (Kg/Lb)	ARMATUR KODU LUMINAIRE CODE
700 27 9/16"	250 9 27/32"	209 8 15/64"	156 6 9/64"	380 14 61/64"	65 2 9/16"	9.4 20.72	LT2037.767



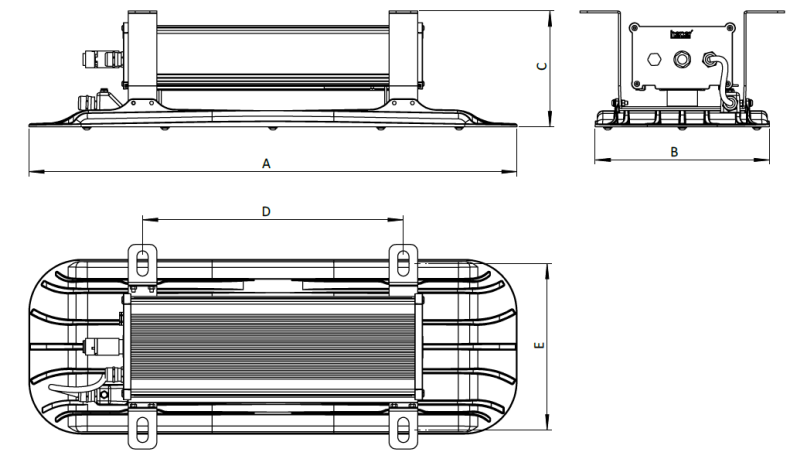
S2,5
1,8 lb ft
4xM4 Round Head Bolts

8

16U0D



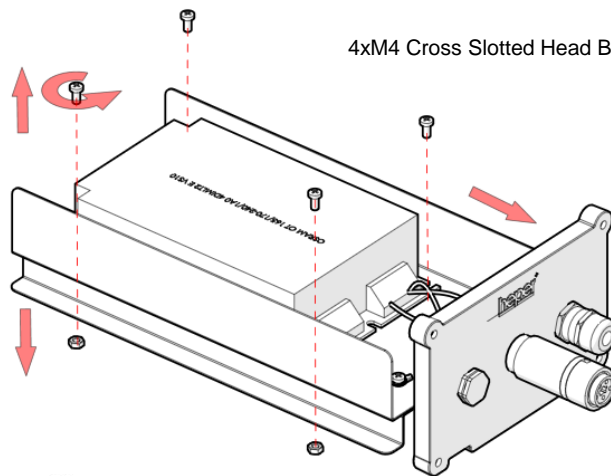
11



A mm/inch	B mm/inch	C mm/inch	D mm/inch	E mm/inch	AĞIRLIK WEIGHT (Kg/Lb)	ARMATUR KODU LUMINAIRE CODE
700 27 9/16"	250 9 27/32"	166 6 17/32"	374 14 23/32"	238 9 3/8"	9.4 20.72	LT2037.767

1,8 lb ft

4xM4 Cross Slotted Head Bolts



S7
1,8 lb ft
4xM4 Nuts

9

ASSEMBLY INSTRUCTIONS

To install the luminaire onto the steel floor

- For the assembly, two different assembly options are provided. Two different type total of four nut is used in these assemblies. (Torque: M6-5,9 lb ft , M8-14,7 lb ft)
- Using M6 / M8 bolt, the system given in Fig. 2 is mounted using with a wrench. (Torque: M6-5,9 lb ft , M8-14,7 lb ft)
- Connection details was given for the second mounting option. Two different type total of four nut is used in these assemblies. (Torque: M6-5,9 lb ft , M8-14,7 lb ft)
- 2 different bolts and 4 pieces are used as optional for the luminaire connection. Using with M6 / M8 bolt, the system given in Fig.2 is mounted using with a wrench.
- In order to remove the product, two M6 round head bolts and the nut holding the bolt are removed with the help of the allen and wrench (Torque: 5,9 lb ft)
- For electrical connection, the pins in the connectors are fitted so that they are aligned. During this process attention must be paid to the marks on them. Locking is done by turning. The connection of the cable end coming out of the connector is done to the junction box.

Maintenance of the LED Driver

- The electrical connections are turned off. The connector is unlocked by turning it counterclockwise.
- The system is taken out by removing 4xM4 round head bolts that are the cable outlet side of the control unit.
- The cables that connects to LED Driver are removed with 4xM4 cross slotted head bolts. By doing so, the LED Driver could be taken out. (Torque: 1,8 lb ft)

The position of Light Source;

- 16L0S layout was given to provide asymmetrical lighting distribution for TF lens type. The red arrow indicates "Direction of Lighting"
- The 16U0D layout is given to provide symmetrical light distribution for the DWC type Lens. The red arrow indicates "Direction of Lighting".

To replace the LED modules;

- The light source inside this luminaire should only be replaced by the manufacturer or by the manufacturer's authorized service or an equivalent person

WARNINGS AND REMARKS FOR INSTALLATION AND MAINTENANCE

Safety Instructions ⚠

- The light source contained in this luminaire shall only be replaced by the manufacturer or his service agent or a similar qualified person. Always switch off the power prior to installation, maintenance or repair activities.
- The manufacturer is then discharged from liability when damage is caused by improper use or installation.
- If any luminaire is subsequently modified, the persons responsible for the modification shall be considered as manufacturer.
- To reduce the risk of death, personal injury or property damage from fire, electric shock, falling parts, cuts, abrasions and other hazards, please read all warnings and instructions included with the luminaire, on the luminaire's packaging and affixed to the luminaire itself.

Installation 🛠

- LEDs are high-quality electronic components! Please avoid contacting the light output opening of the LED directly during installation or relamping.

Cleaning And Maintenance 🧹

- Clean luminaire regularly with solvent-free cleaners from dirt. Please do not do not clean the luminaire with using high-pressure liquids.

