

8

7

6

5

4

3

2

1

NOTE
Unless otherwise specified dimensions are in mm.
Don't take measures on the drawing.

| Rev. No | Revised By | Revision Description | Date |
|---------|------------|----------------------|------|
| | | | |

A

A

B

B

C

C

D

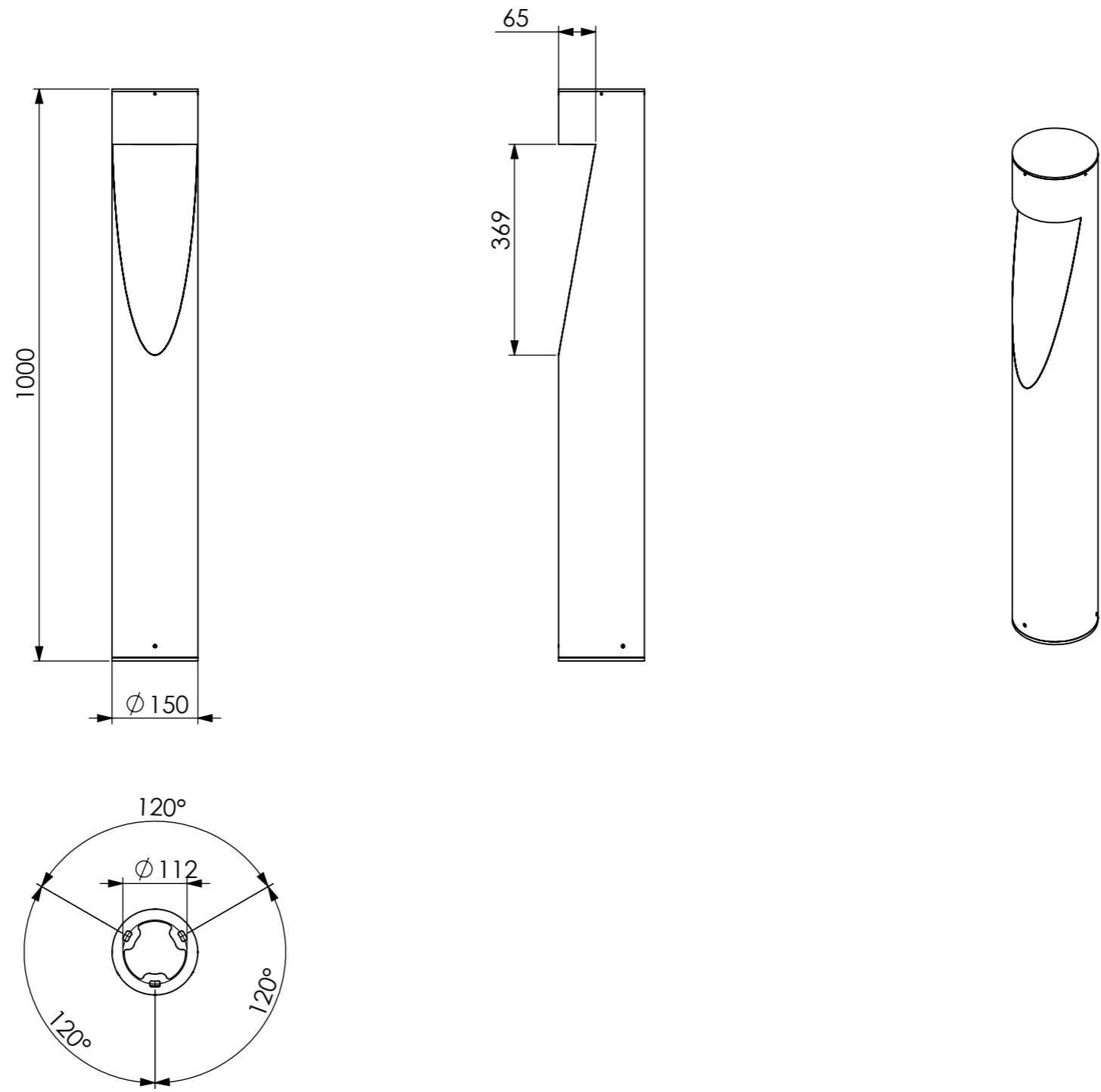
D

E

E

F

F



| Name | | Date | Product Group | Description | Coating |
|-------------|-----------|------------|--------------------------|----------------------|---------|
| Drawn By | Hakan BAŞ | 22.12.2025 | Carina | CARINA AFX Mini (1m) | |
| Checked By | | | Product Code | Tolerance Class | |
| Approved By | | | LB6033.891-EN-H01 | Scale | 1:10 |
| Format | Page | Material | Weight(kg) | Variant | render |
| A3 | 1/2 | | 1.23 | | |



© Copyright 2015 HEPER. All rights reserved.

We reserve all rights in this document and in the information contained therein. Reproduction, use or disclosure to third parties without express authority is strictly forbidden.

8

7

6

5

4

3

2

1

