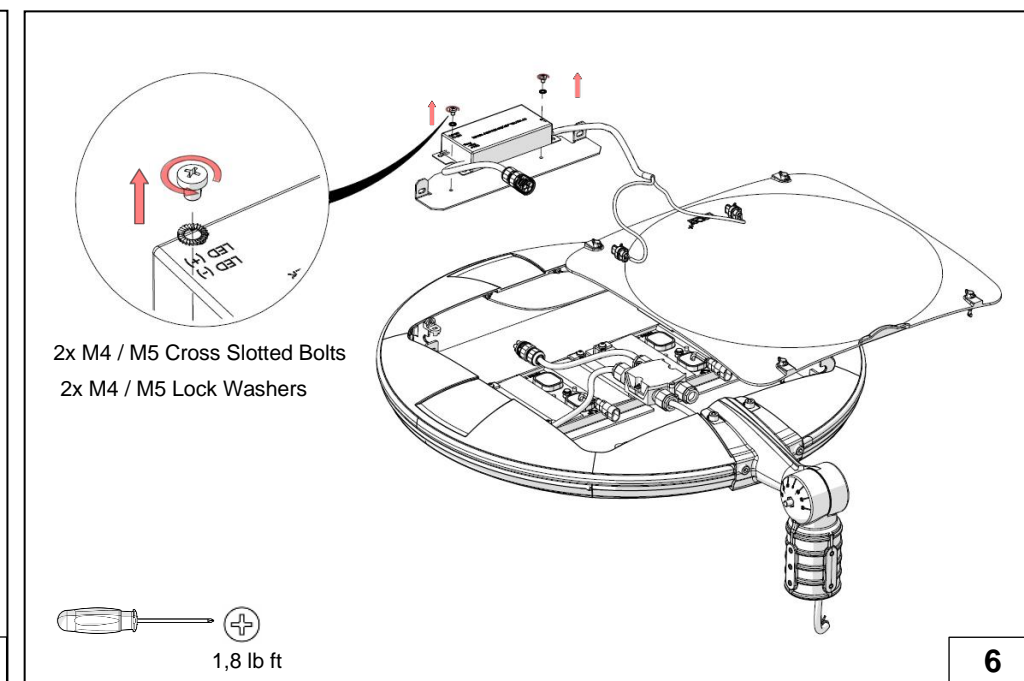
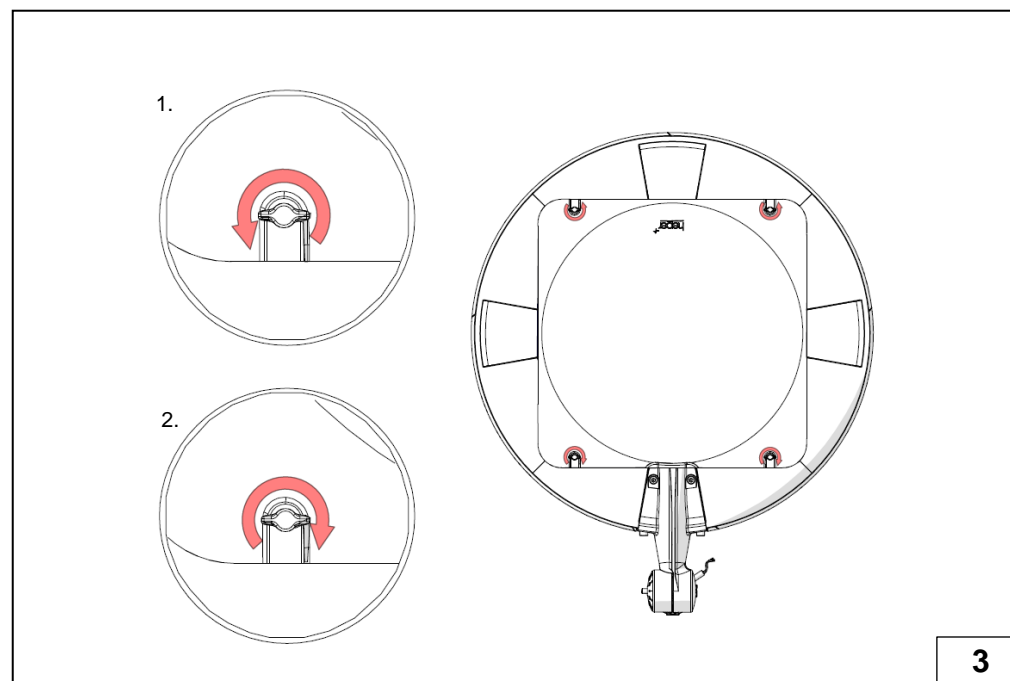
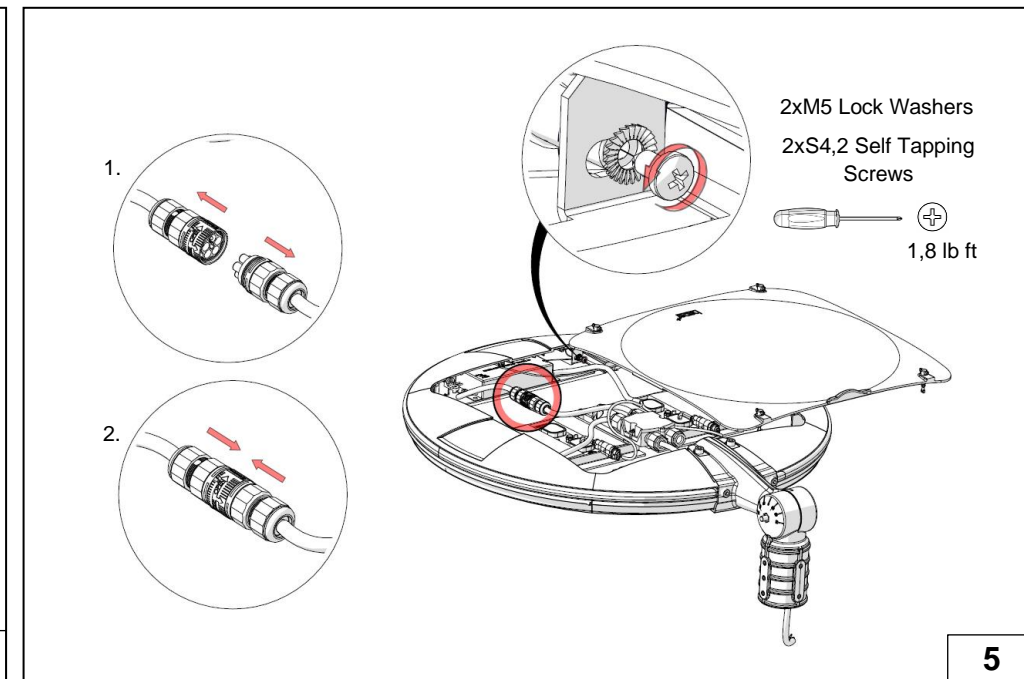
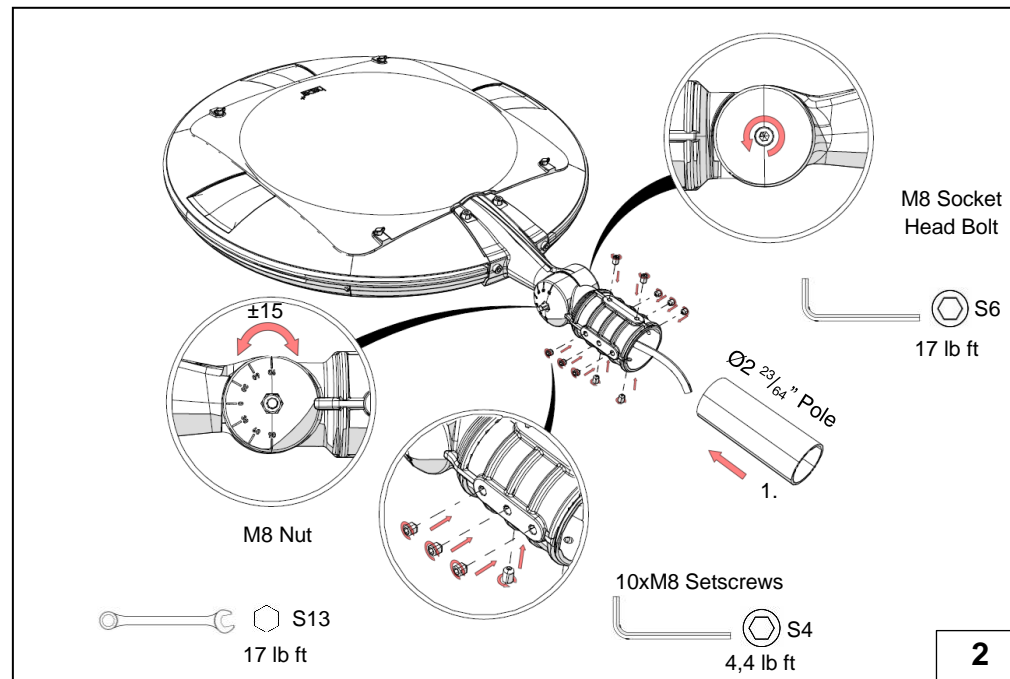
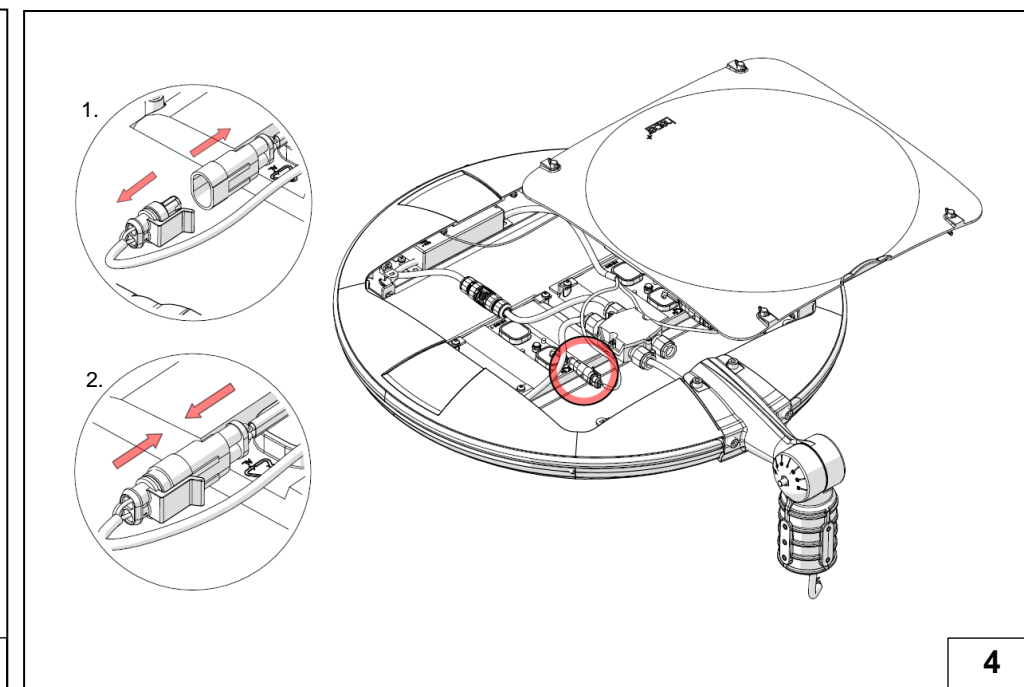
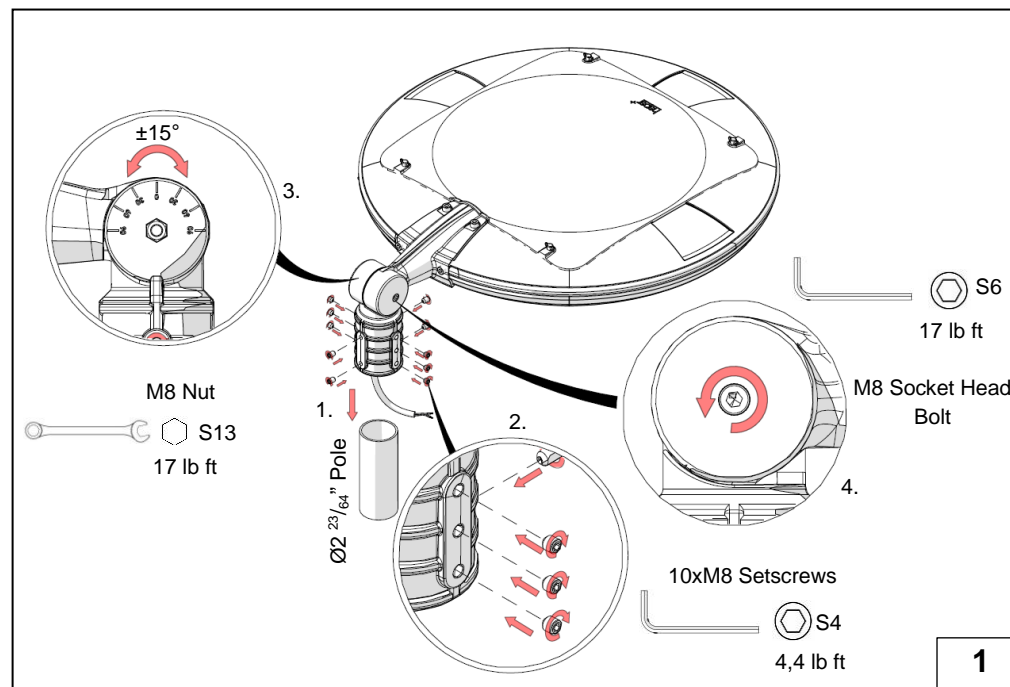


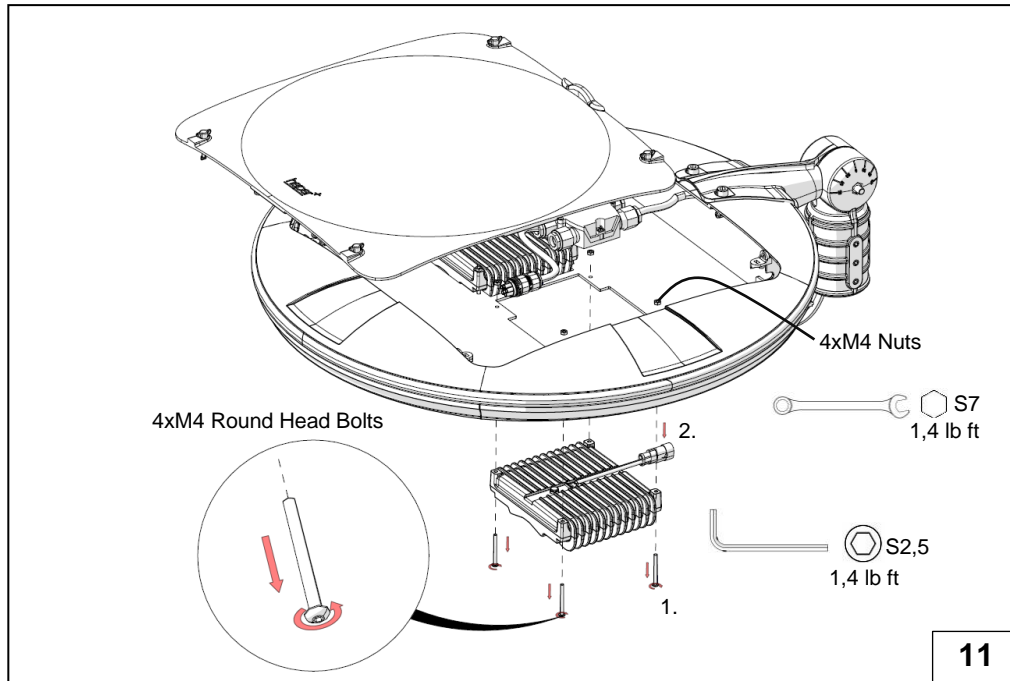
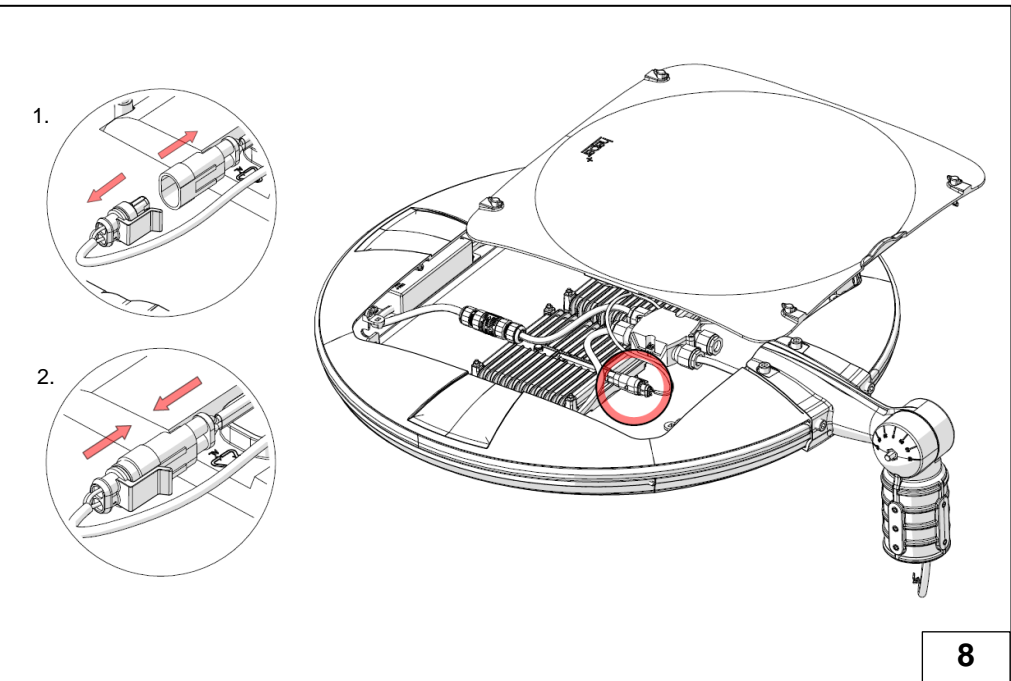
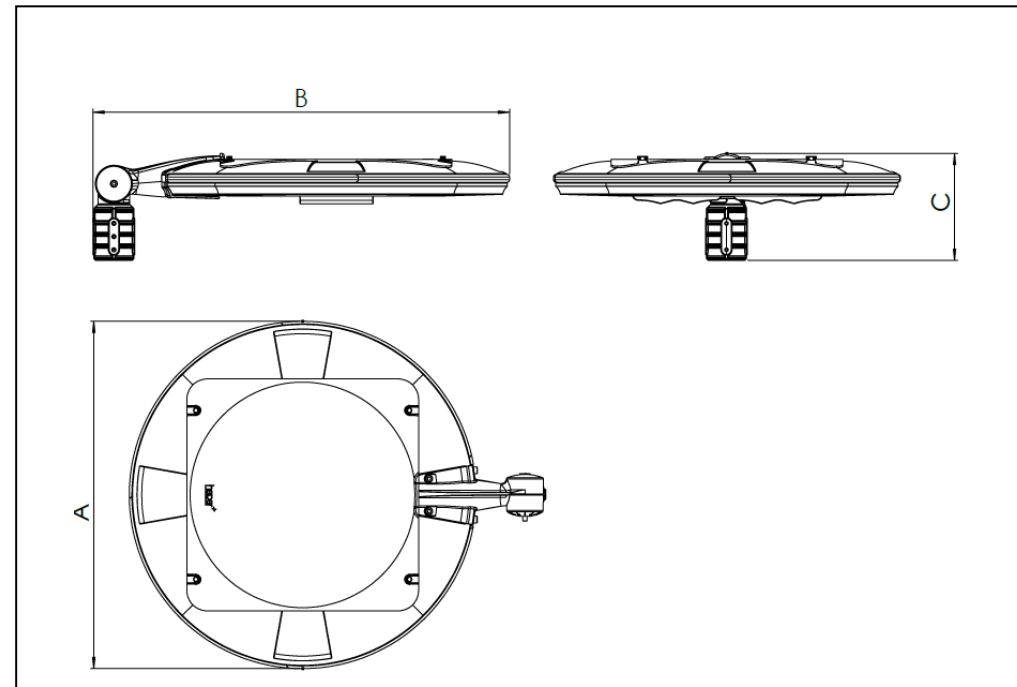
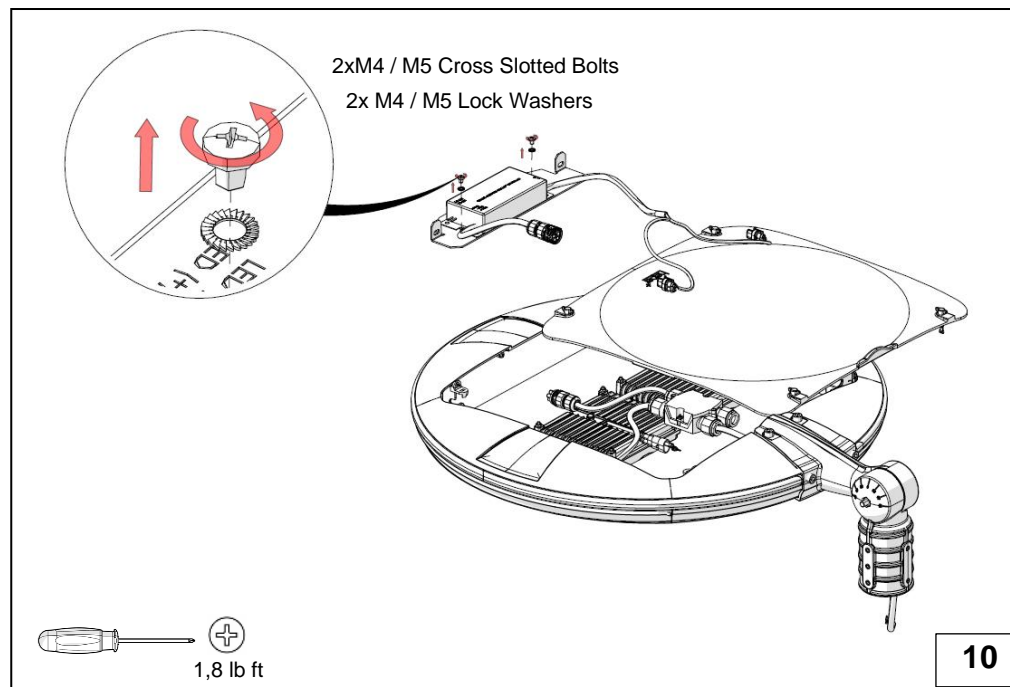
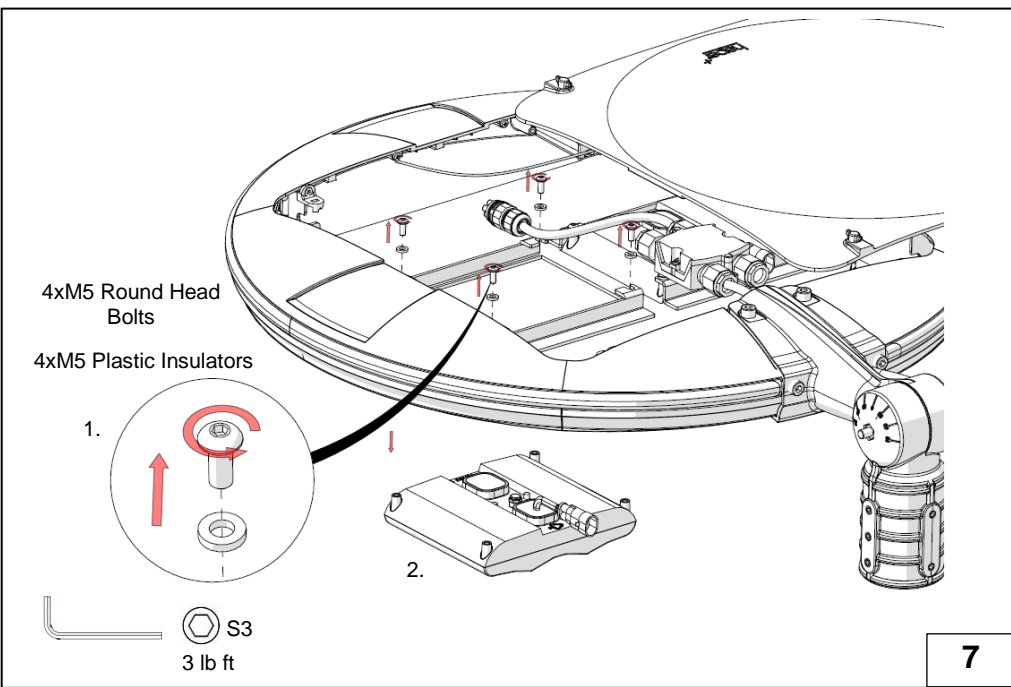


HEPER USA LLC  
W227 N546 Westmound Drive  
Waukesha WI 53186 – USA

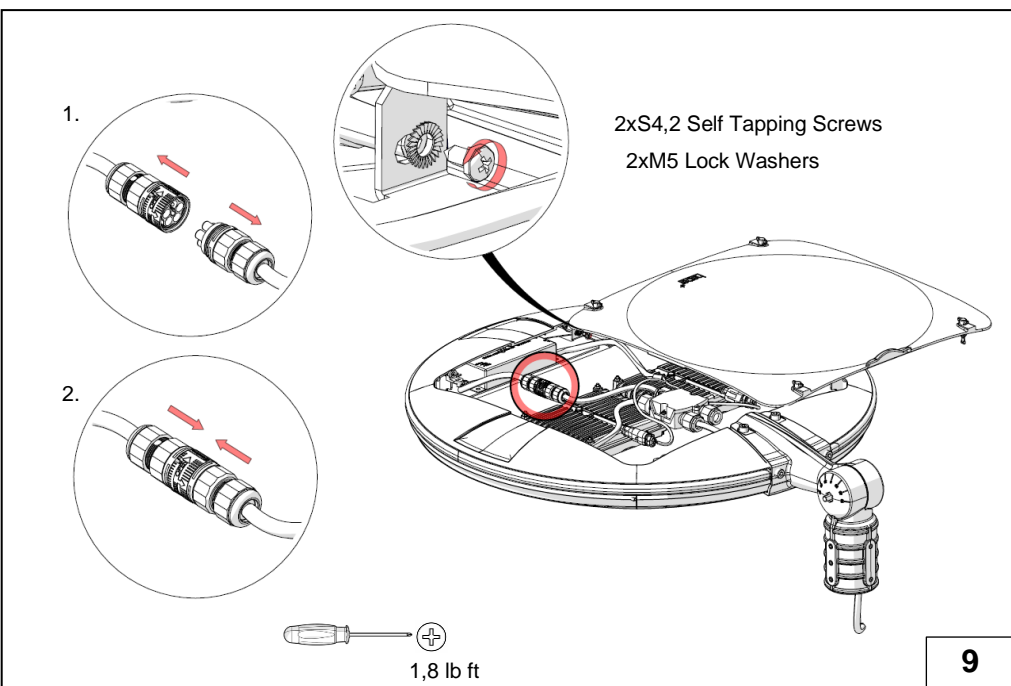
Tel: +1 917 244 20 32  
infoUS@hepergroup.com  
www.heperlighting.com

**OLIVA**  
Installation&Maintenance Instructions





A (Inch)	B (Inch)	C (Inch)	WEIGHT (lb)	PRODUCT CODE	
25 <sup>29</sup> / <sub>32</sub>	31 <sup>7</sup> / <sub>64</sub>	7 <sup>63</sup> / <sub>64</sub>	33.3	LL2002.682	
25 <sup>29</sup> / <sub>32</sub>	31 <sup>7</sup> / <sub>64</sub>	7 <sup>63</sup> / <sub>64</sub>	37.7	LL2002.684	
25 <sup>29</sup> / <sub>32</sub>	31 <sup>7</sup> / <sub>64</sub>	7 <sup>63</sup> / <sub>64</sub>	33.3	LL2002.672	
25 <sup>29</sup> / <sub>32</sub>	31 <sup>7</sup> / <sub>64</sub>	7 <sup>63</sup> / <sub>64</sub>	37.7	LL2002.674	



**ASSEMBLY INSTRUCTIONS****Mounting luminaire to pole top – Vertical;**

- 1.1 Make NEC compliant connection of power cable from luminaire to supply cable at pole top. Insert cable into pole and place fitter on pole top. (max 2 3/8" OD tenon or spigot on pole top)
- 1.2 Once the luminaire has been oriented correctly for the application, tighten quantity of 10 M8 set screws using S4 Allen head wrench to 4.4 lb-ft of torque.
- 1.3 Adjust luminaire tilt angle by loosening adjustable fitter M8 bolt with S6 Allen head wrench and S13 wrench on M8 bolt.
- 1.4 Lock in luminaire tilt angle by tightening assembly back to 17 lb-ft of torque.

**Mounting of luminaire to horizontal tenon;**

- 2.1 Make NEC compliant connection of power cable from luminaire to supply cable at horizontal tenon. Insert cable into horizontal tenon and place fitter onto tenon. (max 2 3/8" OD tenon or spigot on pole top)
- 2.2 Once the luminaire has been leveled horizontally, tighten quantity of 10 M8 set screws using S4 Allen head wrench to 4.4 lb-ft of torque
- 2.3 Adjust luminaire tilt angle by loosening adjustable fitter M8 bolt with S6 Allen head wrench and S13 wrench on M8 bolt.
- 2.4 Lock in luminaire tilt angle by tightening assembly back to 17 lb-ft of torque.

**Accessing LED driver (EVO) of the luminaire;**

Note: Before servicing unit be sure to turn off power at the supply  
 Note: It is recommended to perform all maintenance at grade

- 3.1 Remove polymeric cover by turning the plastic cover locks counterclockwise. Cover is securely tethered to the luminaire body to prevent it from falling to grade.
- 3.2 Reinstalling cover is accomplished by tightening the cover locks in a clockwise direction.

**Disassembly of connectors;**

- 4.1 Disconnect appropriate lighting module electrical connectors
- 4.2 Reverse process on reinstallation of driver
5. Remove quantity 2 Phillips head screws securing driver assembly plate to luminaire housing.
- 5.1 Disconnect supply power connectors to LED driver
- 5.2 Reverse process for reinstallation of new power supply/driver
6. Pull driver assembly plate out of luminaire housing. Free driver from plate assembly by removing quantity of 2 phillips head bolts. The number of bolts may vary depending on the driver utilized.  
 Note: Remove driver carefully paying careful attention not to lose any of the bolts.\*  
 Note: Install new driver by tightening Phillips head bolts to 1.8 lb-ft of torque.

**Replacing LED Lighting modules (EVO);**

7. Disconnect IP rated electrical connectors.  
 Note 1: Pay careful attention not to damage or compromise the integrity of the IP rated electrical connectors.
- 7.1 Remove the Phillips head bolts holding the LED lighting modules in place. (Qty of 4)  
 Note 2: Take care to prevent dropping the LED module securing bolts.  
 Note 3: Reinstall module by tightening bolts to 3 lb-ft of torque.  
 Note 4: Be certain to reinstall using insulating Teflon washers from original assembly.
- 7.2 Reconnect all electrical mate and lock connectors.

**Accessing LED driver (Milestone) of the luminaire;**

Note: Before servicing unit be sure to turn off power at the supply  
 Note: It is recommended to perform all maintenance at grade

- 3.1 Remove polymeric cover by turning the plastic cover locks counterclockwise. Cover is securely tethered to the luminaire body to prevent it from falling to grade.
- 3.2 Reinstalling cover is accomplished by tightening the cover locks in a clockwise direction.

**Disassembly of connectors;**

- 8.1 Disconnect appropriate lighting module electrical connectors
- 8.2 Reverse process on reinstallation of driver
9. Remove quantity 2 Phillips head screws securing driver assembly plate to luminaire housing.
- 9.1 Disconnect supply power connectors to LED driver
- 9.2. Reverse process for reinstallation of new power supply/driver
10. Pull driver assembly plate out of luminaire housing. Free driver from plate assembly by removing quantity of 2 phillips head bolts. The number of bolts may vary depending on the driver utilized.  
 Note: Remove driver carefully paying careful attention not to lose any of the bolts  
 Note: Install new driver by tightening Phillips head bolts to 1.8 lb-ft of torque

**Replacing LED Lighting modules (Milestone);**

11. Disconnect electrical connectors to LED modules as depicted in Figure 8. Remove quantity of 4 M4 round head size 2.5 Allen head/hex key bolts per LED module. (S7 Nut)  
 Note 1: Reinstall module by reverse process tightening bolts to a torque of 1.4 lb-ft.

**\* EYE SAFETY WARNING**

Oliva luminaire is classified under "EXEMPT GROUP" according

to photobiological safety standard IEC/EN 62471. NO RISK for the

operators and end-users.

