



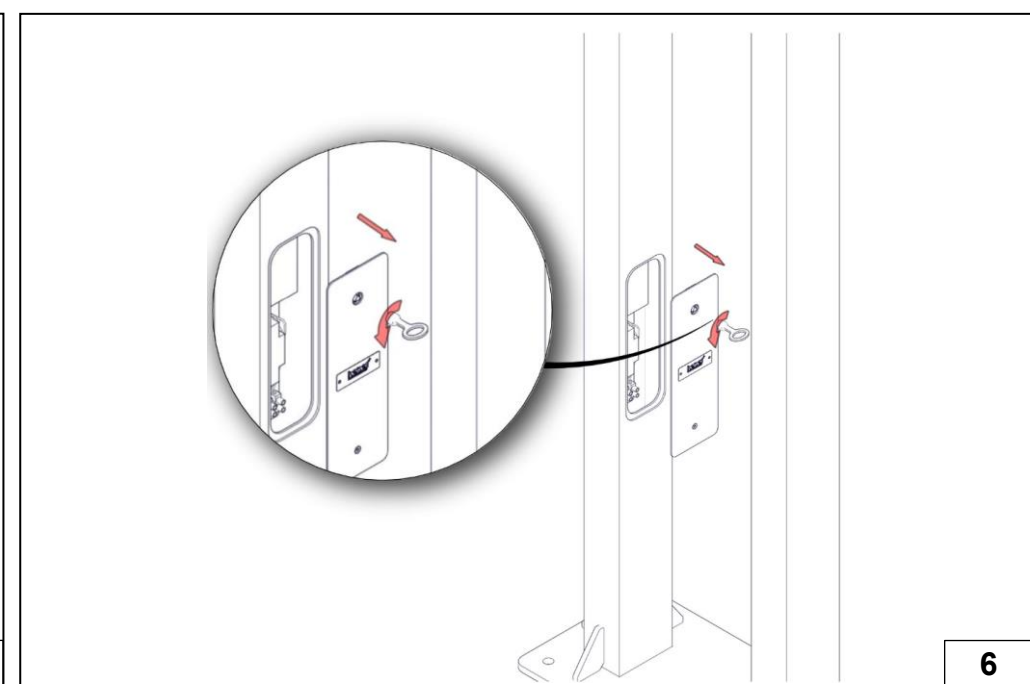
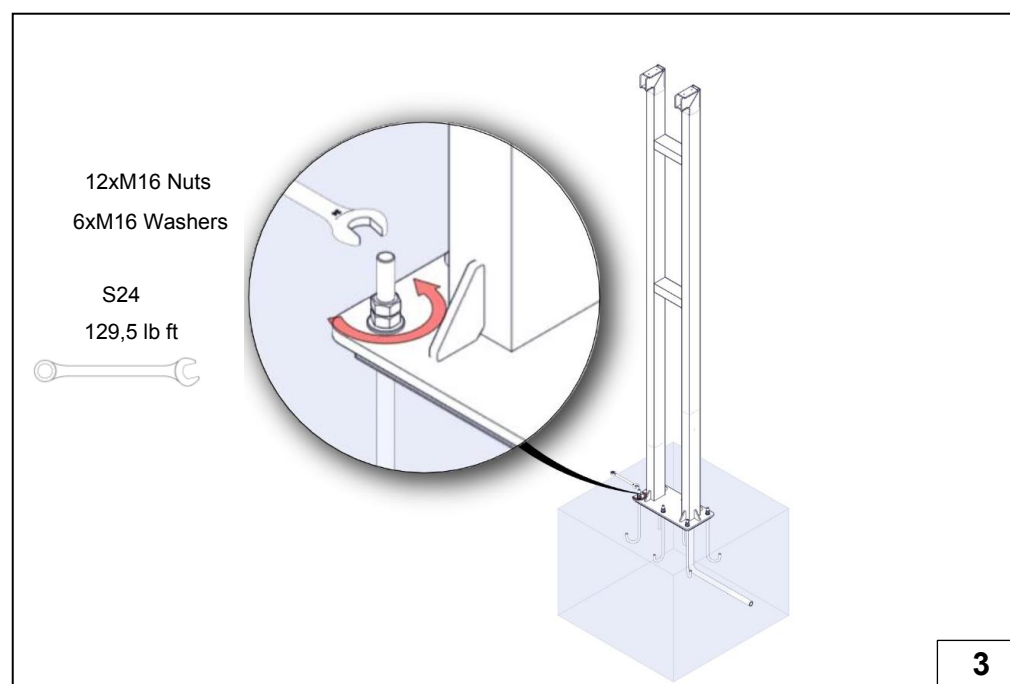
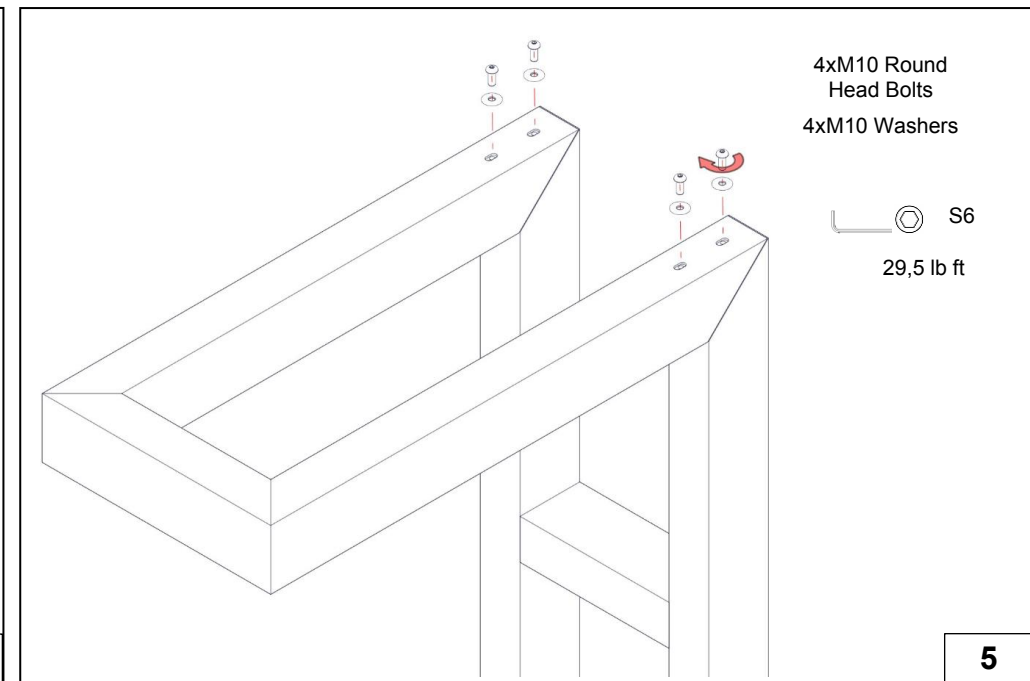
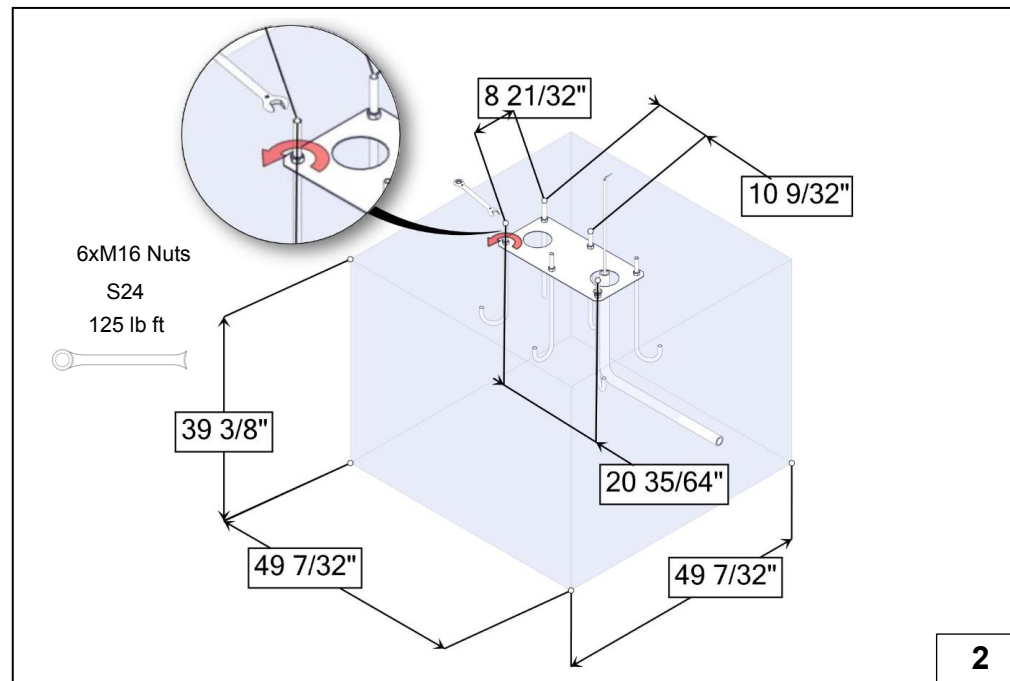
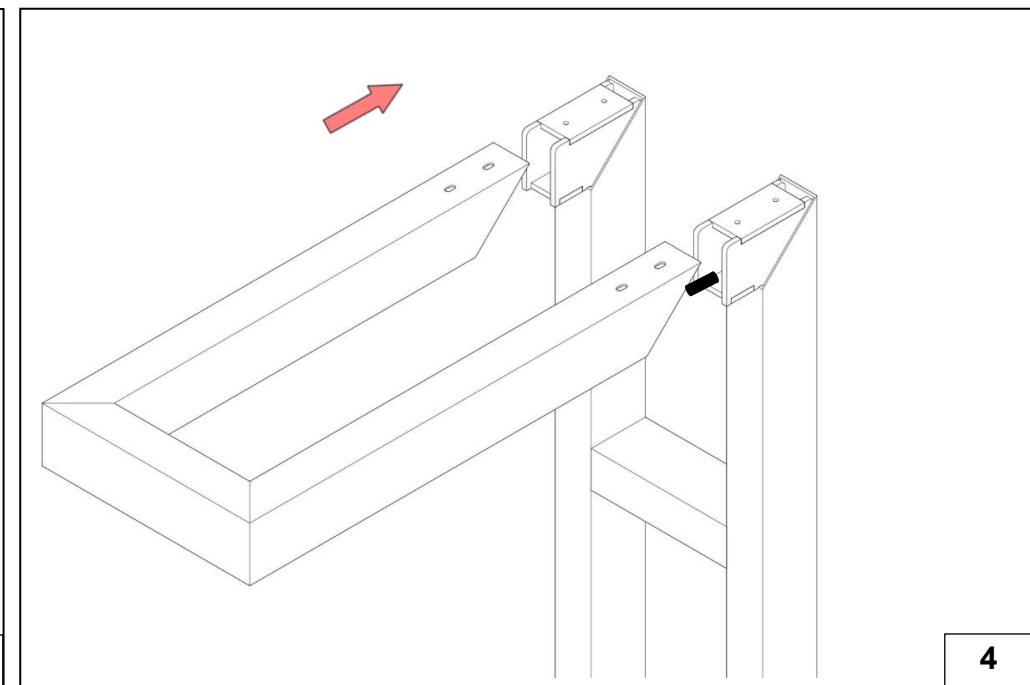
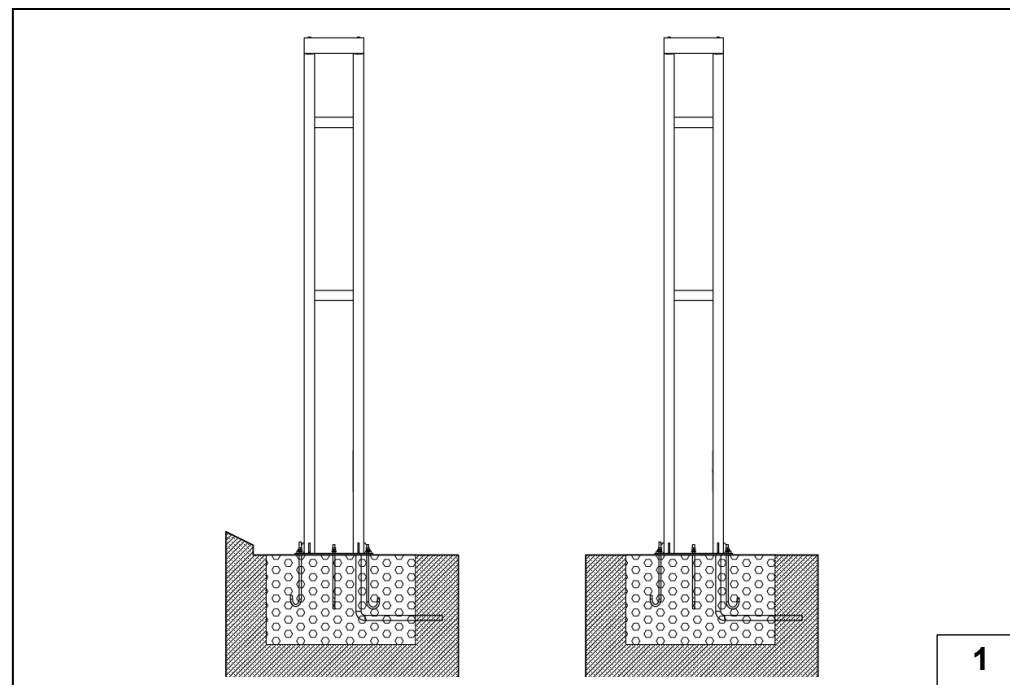
HEPER USA LLC

W227 N546
Westmound Drive
Waukesha

WI 53186 – USA
Tel: +1 917 244 20 32
info@hepergroup.com
www.heperlighting.com

TOLENA

Installation&Maintenance Instructions



ASSEMBLY INSTRUCTIONS

Assembly of the pole onto ground;

1. It should be noted that the ground that bollard will be integrated needs to be flat. The product must be perpendicular to the ground.
2. According to the given concrete dimensions, the empty space in the ground is adjusted.
 - 2.1. To make sure that connection holes are aligned perfectly, anchorage plate must be used.
 - 2.2. The anchorage plate will be screwed by using 6XM16 bolts. Applied torque should not exceed 125 lb ft.
 3. The mains cable passed through the luminaire.
 - 3.1. The mounting of the pole to the ground is done by using 12XM16 nuts. 6XM16 washers must be placed under the nuts. When screwing, again the applied torque should not exceed 125 lb ft.
 - 3.2. Fuse cover is opened as shown figure 6. The electrical connection of the product is made.

Assembly of the luminaire to the Pole;

4. The electrical cable that is linked with connector is passed through the pole.
5. Luminaire connection is made with 4xM10 round head bolts and 4 washers. Applied torque should be 29,5 lb ft. For the electrical connection, the connector that comes out from LED Driver and the connector that belongs to luminaire are joined.

Maintenance of the LED Driver of the Product;

6. Electrical power needs to be turned off. Using the wrench that is sent by the product in itself, fuse cover is taken out. Mains electrical cables are disconnected.
7. 1xM6 nut that fasten the control unit to the luminaire are pulled up by a S5 wrench that applies 9Nm. Control unit is taken out.
 - 7.1 The connectors that enable electrical connectivity to luminaire part with control unit are disconnected.
8. 4xM4 cross-slotted bolts that fix the LED Driver to control gear are unbolting. Replacement of LED Driver is achieved by taking into consideration that applied torque is not exceeded 1,8 lb ft. Electrical connections are made and system is closed.

Replacing the LED Modules;

9. The bolts that hold the LED modules are unscrewed.

Note 1: During unscrewing, LED modules are needed to be held to prevent it to fall in an instant.

Note 2: During the reassembly of the LED modules, bolts are screwed with 1,8 lb ft.

LED module is taken out carefully.

During the reassembly of the LED modules and the sockets that enable the electronics connection, are needed to be fitted perfectly.

WARNINGS AND REMARKS FOR INSTALLATION AND MAINTENANCE

- The light source contained in this luminaire shall only be replaced by the manufacturer or his service agent or a similar qualified person. Always switch off the power prior to installation, maintenance or repair activities.
- The manufacturer is then discharged from liability when damage is caused by improper use or installation.
- If any luminaire is subsequently modified, the persons responsible for the modification shall be considered as manufacturer.
- To reduce the risk of death, personal injury or property damage from fire, electric shock, falling parts, cuts, abrasions and other hazards, please read all warnings and instructions included with the luminaire, on the luminaire's packaging and affixed to the luminaire itself..

• **Installation**

- LEDs are high-quality electronic components! Please avoid contacting the light output opening of the LED directly during installation or relamping.

IMPORTANT

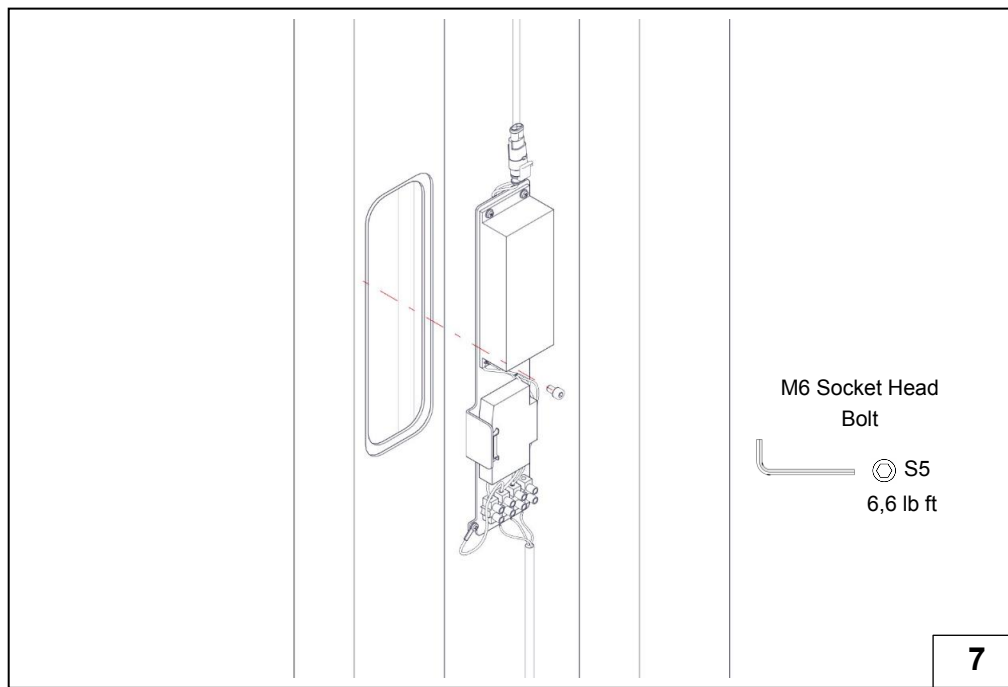
- To ensure secure connection, the luminaire housing must be positioned precisely in relation to the mounting plate.

Cleaning And Maintenance

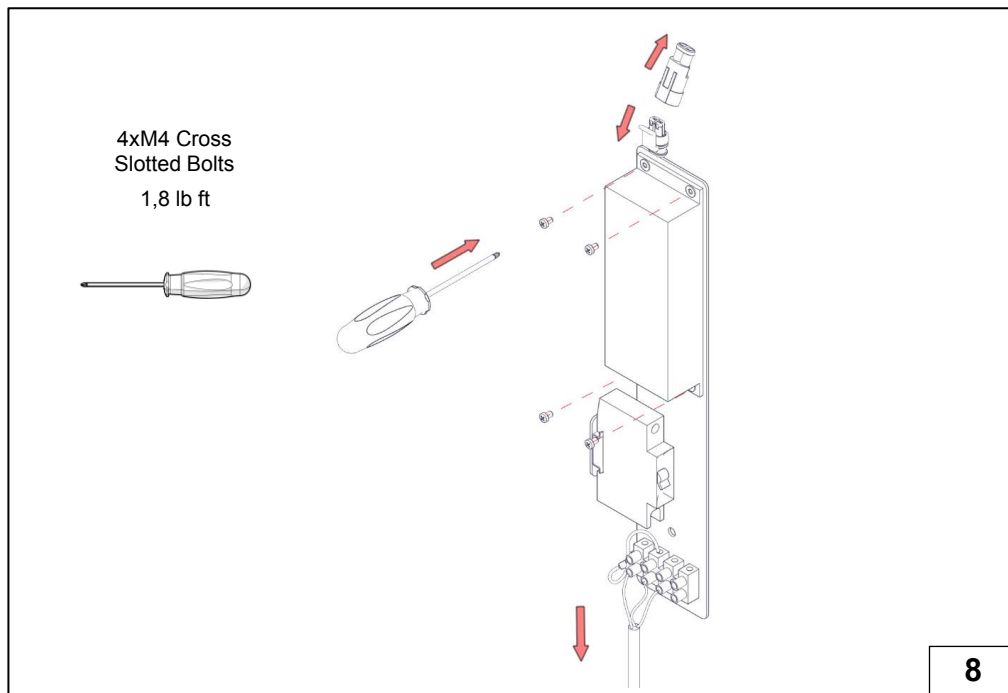
- Clean luminaire regularly with solvent-free cleaners from dirt. Please do not clean the luminaire with using high-pressure liquids.

Replacing the LED module

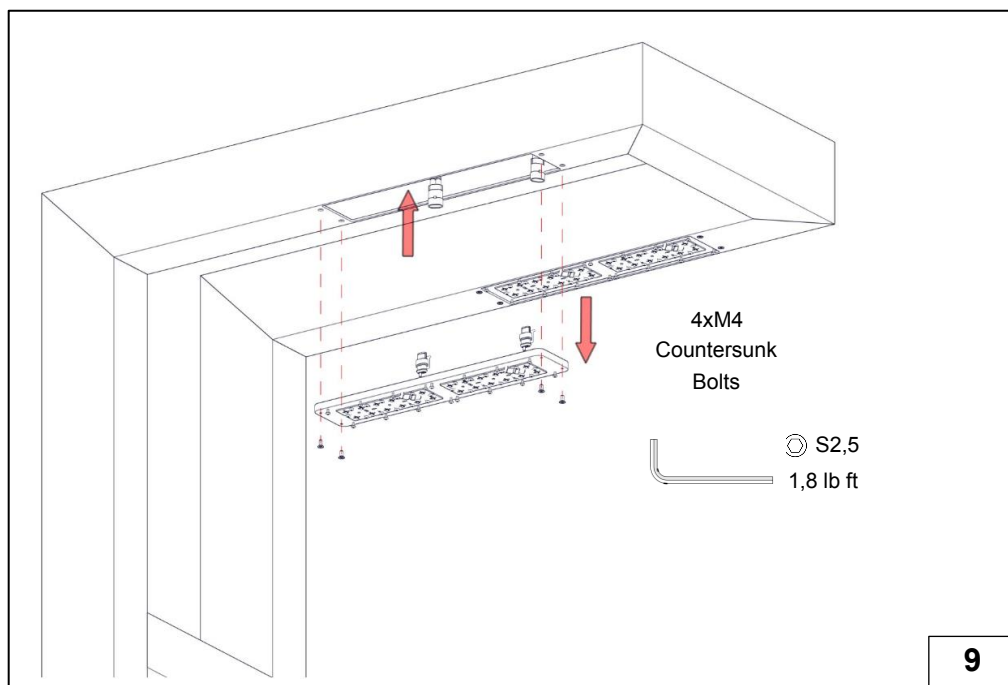
- The designation of the LED module is noted on a label in the luminaire.
- The light colour and light output of HEPER replacement modules correspond to those of the modules originally fitted. The module can be replaced by qualified persons using



7



8



9

