

8 7 6 5 4 3 2 1

NOTE
 Unless otherwise specified dimensions are in mm.
 Don't take measures on the drawing.

Rev. No	Revised By	Revision Description	Date

A A

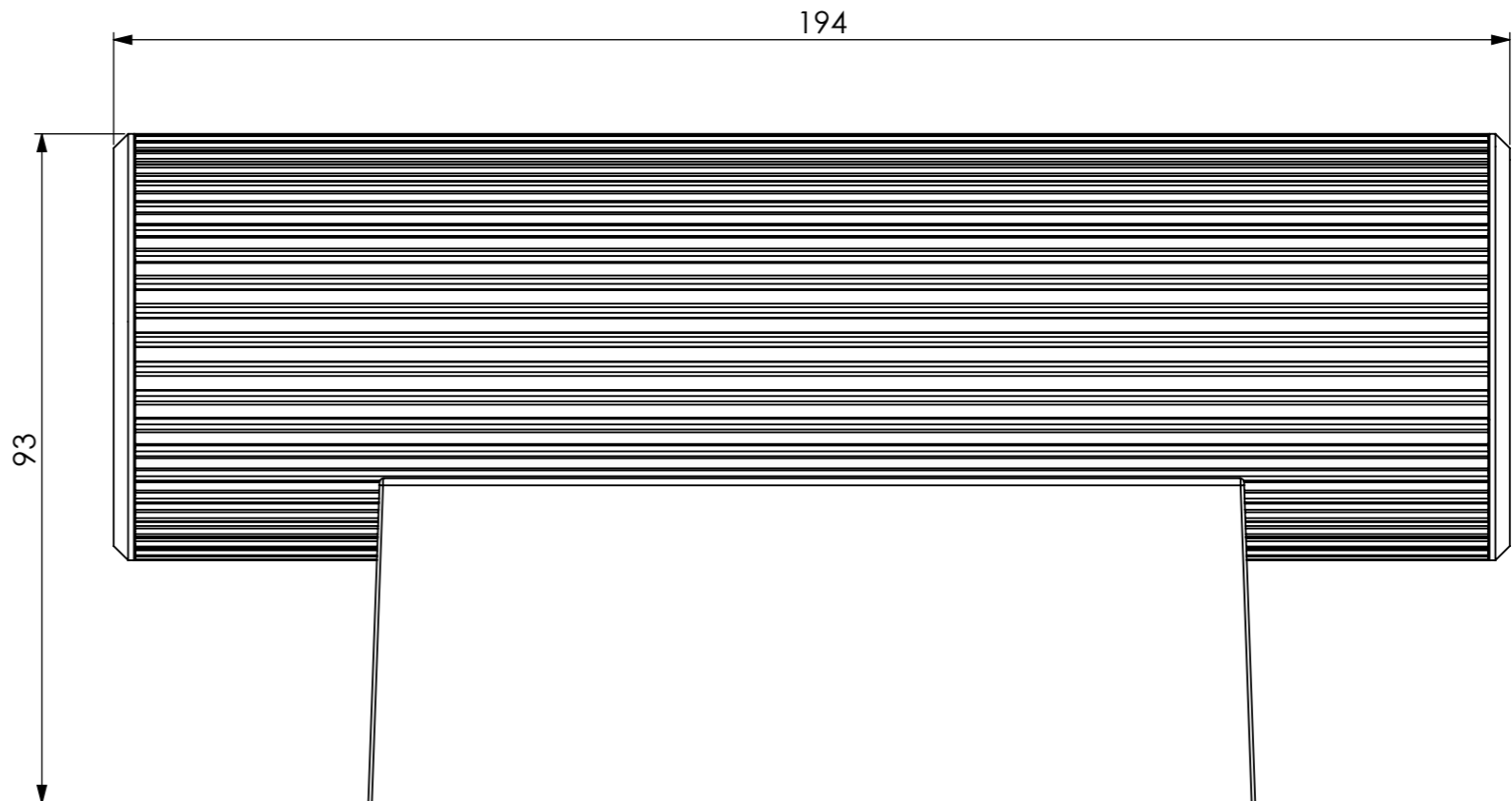
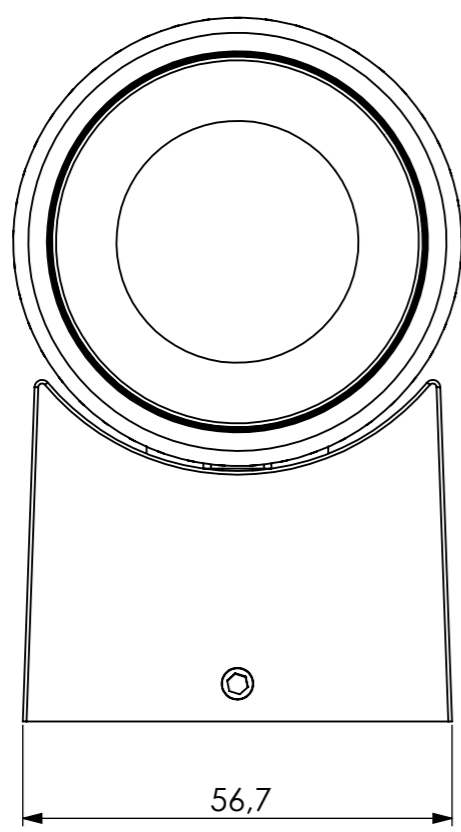
B B

C C

D D

E E

F F



© Copyright 2015 HEPER. All rights reserved.

We reserve all rights in this document and in the information contained therein. Reproduction, use or disclosure to third parties without express authority is strictly forbidden.

Name		Date	Product Group	Description	Coating
Drawn By	eturkmen	07.02.2025			
Checked By				Product Code	Tolerance Class
Approved By				LW8045.529	Scale 1:2
Format	Page	Material	Weight(kg)	Variant	Varsayılan
A3	1/1		0.85		



8 7 6 5 4 3 2 1