

FOCUS ON

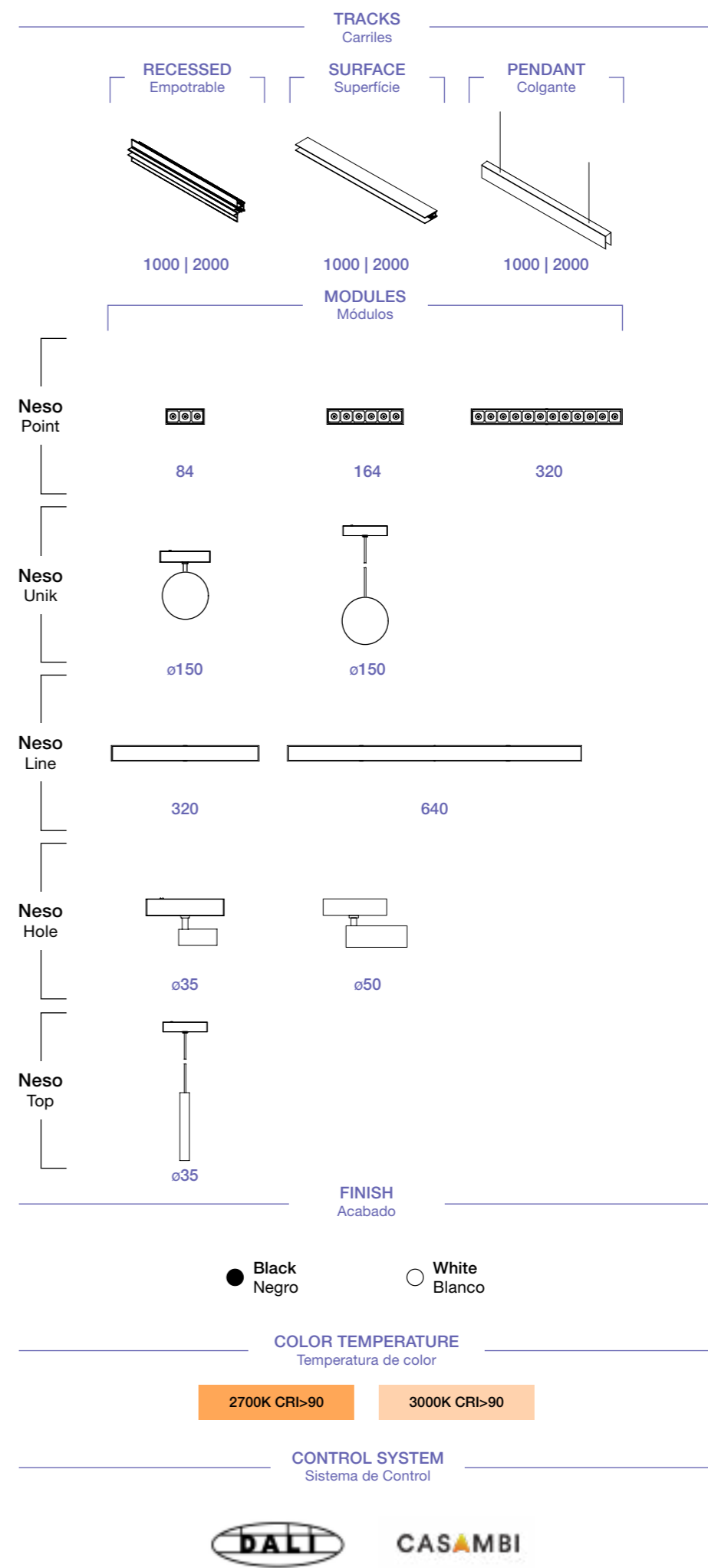
Neso The Magnetic Track System





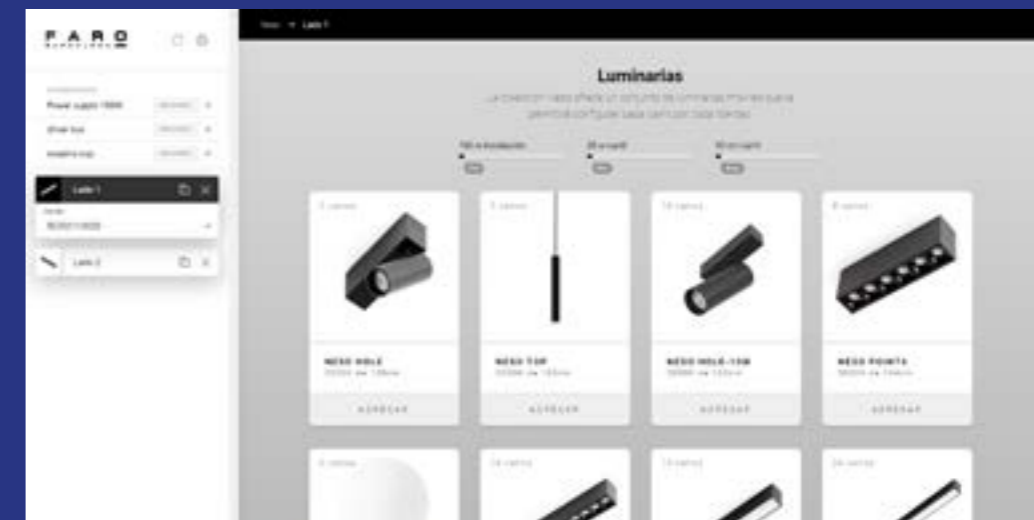
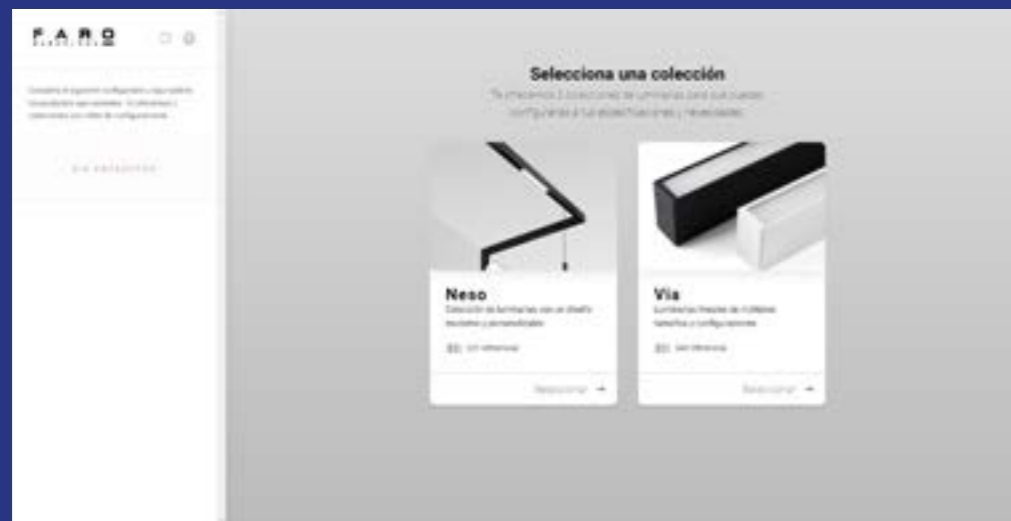
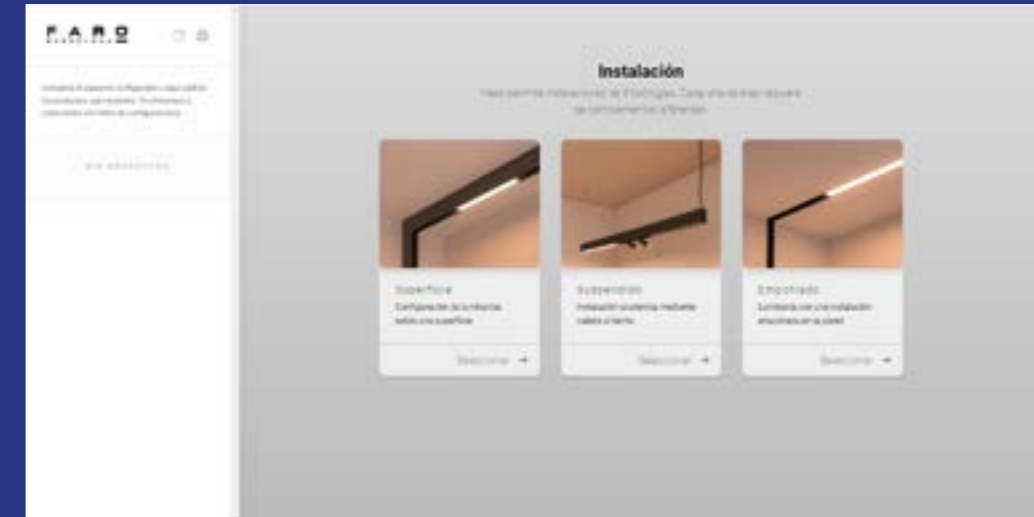
Neso is a magnetic track system that allows you to combine different types of luminaires for both general and accent lighting.

Neso es un sistema de carriles magnéticos que te permite combinar diferentes tipos de luminarias tanto de iluminación general como de acento.



CONFIGURE YOUR NESO

Also for your mobile phone
También para tu teléfono móvil



Highlights

Neso integrates perfectly into the architecture. You can install it on the ceiling or wall and make all the combinations you want.

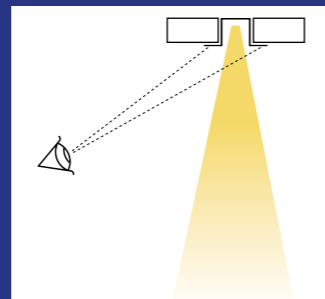
Neso se integra perfectamente en la arquitectura. Puedes instalarlo en techo o pared y hacer todas las combinaciones que quieras.



Magnetic
Magnético



Versatility
Versatilidad



UGR<16 Option



Connectivity
Conectividad

The Magnetic Track System

FOCUSON





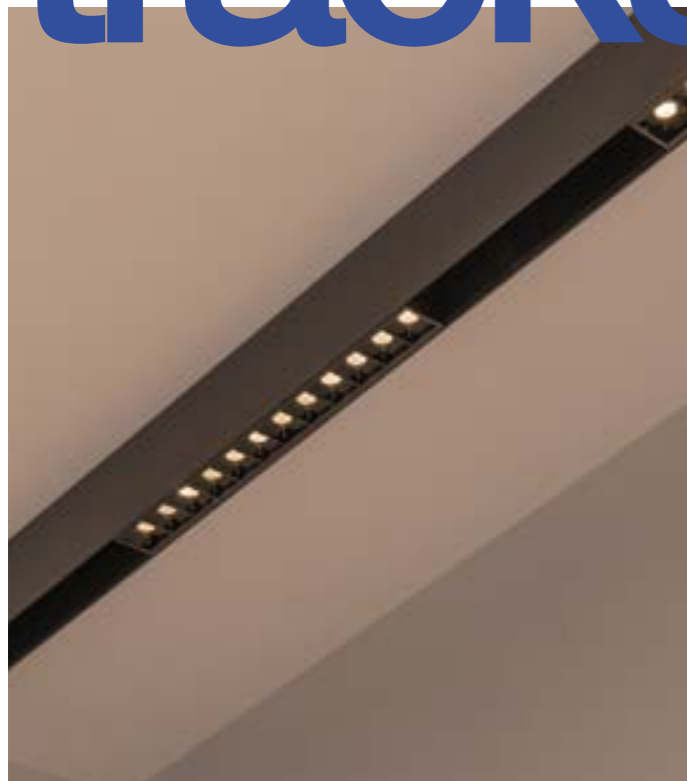
Detail Studio Photo by Julien Chamoux Photographie



Needs consulting
for your project?
¿Necesitas
asesoramiento
para tu proyecto?



tracks



1 Surface *Superficie*



2 Recessed *Empotrable*

Tracks are available for recessed, suspended and surface installation.

Los carriles están disponibles para instalación empotrada, suspendida y de superficie.



3 Suspended *Suspendida*



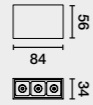


Neso allows the integration of lighting in any type of architecture. The luminaires are attached to the rail by means of magnets. This makes it very easy to change their position. Imagination and creativity to power!
Neso permite la integración de la iluminación en cualquier tipo de arquitectura. las luminarias se fijan al carril mediante imanes. Esto hace que sea muy fácil cambiarlas de posición. ¡Imaginación y creatividad al poder!

magnetic fixing

NESO POINT 3L

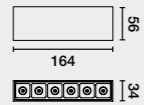
no incl. 50.000HS L70/B10 MACADAM 3 24V 850°C UGR <16



| Family | Color T° | Beam Angle | Finish |
|-------------------|------------------------|------------|---------|
| 50101 Point 3L 4W | 927 2700K 220lm CRI>90 | 1 12° | 1 White |
| | 930 3000K 250lm CRI>90 | 2 34° | 2 Black |

NESO POINT 6L

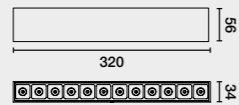
no incl. 50.000HS L70/B10 MACADAM 3 24V 850°C UGR <16



| Family | Color T° | Beam Angle | Finish | Control System |
|-------------------|------------------------|------------|---------|--|
| 50102 Point 6L 8W | 927 2700K 490lm CRI>90 | 1 12° | 1 White | <input type="checkbox"/> W CASAMBI <input type="checkbox"/> D DALI <input type="checkbox"/> ON/OFF |
| | 930 3000K 510lm CRI>90 | 2 34° | 2 Black | |

NESO POINT 12L

no incl. 50.000HS L70/B10 MACADAM 3 24V 850°C UGR <16



| Family | Color T° | Beam Angle | Finish | Control System |
|---------------------|------------------------|------------|---------|--|
| 50103 Point 12L 16W | 927 2700K 810lm CRI>90 | 1 12° | 1 White | <input type="checkbox"/> W CASAMBI <input type="checkbox"/> D DALI <input type="checkbox"/> ON/OFF |
| | 930 3000K 850lm CRI>90 | 2 34° | 2 Black | |

The Magnetic Track System

FOCUSON



NESO LINE 32cm

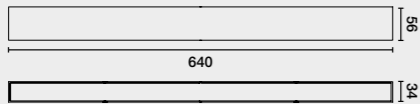
no incl. 50.000HS L70/B10 MACADAM 3 24V 850°C



| Family | Color T° | Finish | Control System |
|---------------------|--|----------------------|--|
| 50104 Line 32cm 13W | 927 2700K 550lm CRI>90 930 3000K 590lm CRI>90 | 01 White 02 Black | <div style="display: flex; align-items: center;"> <div style="border: 1px solid black; padding: 2px; margin-right: 5px;">N</div> <div style="border: 1px solid black; padding: 2px; margin-right: 5px;">W</div> <div style="margin-right: 5px;">CASAMBI</div> </div> <div style="display: flex; align-items: center;"> <div style="border: 1px solid black; padding: 2px; margin-right: 5px;">D</div> <div style="margin-right: 5px;">DALI</div> </div> <div style="display: flex; align-items: center;"> <div style="border: 1px solid black; padding: 2px; margin-right: 5px;"></div> <div>ON/OFF</div> </div> |

NESO LINE 64cm

no incl. 50.000HS L70/B10 MACADAM 3 24V 850°C

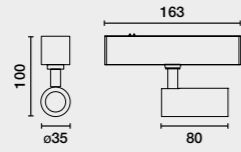


| Family | Color T° | Finish | Control System |
|---------------------|--|----------------------|--|
| 50105 Line 64cm 26W | 927 2700K 930lm CRI>90 930 3000K 970lm CRI>90 | 01 White 02 Black | <div style="display: flex; align-items: center;"> <div style="border: 1px solid black; padding: 2px; margin-right: 5px;">N</div> <div style="border: 1px solid black; padding: 2px; margin-right: 5px;">W</div> <div style="margin-right: 5px;">CASAMBI</div> </div> <div style="display: flex; align-items: center;"> <div style="border: 1px solid black; padding: 2px; margin-right: 5px;">D</div> <div style="margin-right: 5px;">DALI</div> </div> <div style="display: flex; align-items: center;"> <div style="border: 1px solid black; padding: 2px; margin-right: 5px;"></div> <div>ON/OFF</div> </div> |



NESO HOLE ø3.5cm

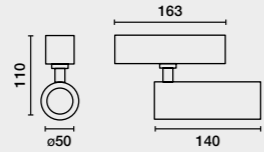
no incl. 50.000HS L70/B10 MACADAM 3 24V 850°C



| Family | Color T° | Beam Angle | Finish | Control System |
|---------------------|------------------------|------------|---------|---|
| 50107 Hole ø35cm 5W | 927 2700K 330lm CRI>90 | 1 20° | 1 White | <input checked="" type="checkbox"/> W CASAMBI <input type="checkbox"/> D DALI <input type="checkbox"/> ON/OFF |
| | 930 3000K 360lm CRI>90 | 2 40° | 2 Black | |

NESO HOLE ø5cm

no incl. 50.000HS L70/B10 MACADAM 3 24V 850°C



| Family | Color T° | Beam Angle | Finish | Control System |
|----------------------|------------------------|------------|---------|---|
| 50108 Hole ø50cm 10W | 027 2700K 705lm CRI>90 | 1 18° | 1 White | <input checked="" type="checkbox"/> W CASAMBI <input type="checkbox"/> D DALI <input type="checkbox"/> ON/OFF |
| | 030 3000K 735lm CRI>90 | 2 36° | 2 Black | |

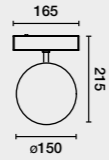
The Magnetic Track System

FOCUSON



NESO UNIK

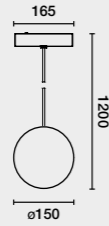
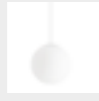
no incl. 50.000HS L70/B10 MACADAM 3 24V 850°C



| Family | Color T° | Finish | Control System |
|---------------|--|----------------------|---|
| 50108 Unik 5W | 927 2700K 330lm CRI>90 930 3000K 360lm CRI>90 | 01 White 02 Black | <input checked="" type="checkbox"/> W CASAMBI <input type="checkbox"/> D DALI <input type="checkbox"/> ON/OFF |

NESO UNIK

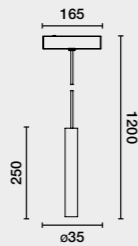
no incl. 50.000HS L70/B10 MACADAM 3 24V 850°C



| Family | Color T° | Finish | Control System |
|---------------|--|----------------------|---|
| 50109 Unik 5W | 027 2700K 330lm CRI>90 030 3000K 360lm CRI>90 | 01 White 02 Black | <input checked="" type="checkbox"/> W CASAMBI <input type="checkbox"/> D DALI <input type="checkbox"/> ON/OFF |

NESO TOP

no incl. 50.000HS L70/B10 MACADAM 3 24V 850°C



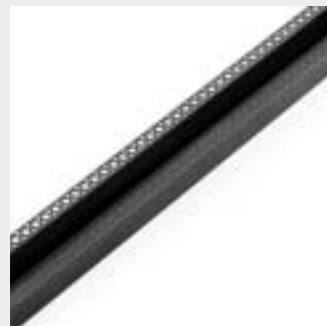
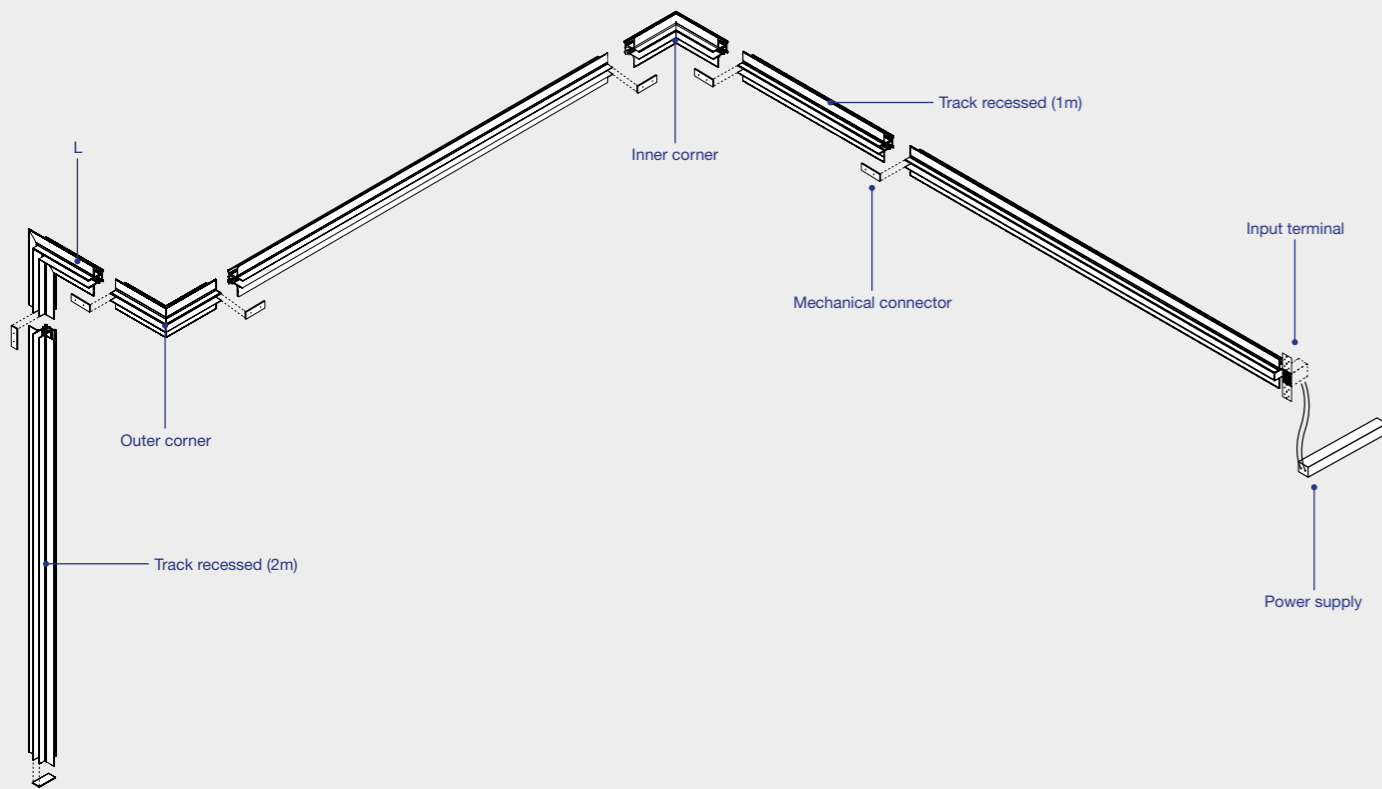
| Family | Color T° | Beam Angle | Finish | Control System |
|--------------|---|----------------|--------------------|---|
| 50106 Top 5W | 927 2700K 330m CRI>90 930 3000K 360lm CRI>90 | 1 20° 2 40° | 1 White 2 Black | <input checked="" type="checkbox"/> W CASAMBI <input type="checkbox"/> D DALI <input type="checkbox"/> ON/OFF |

The Magnetic Track System

FOCUSON



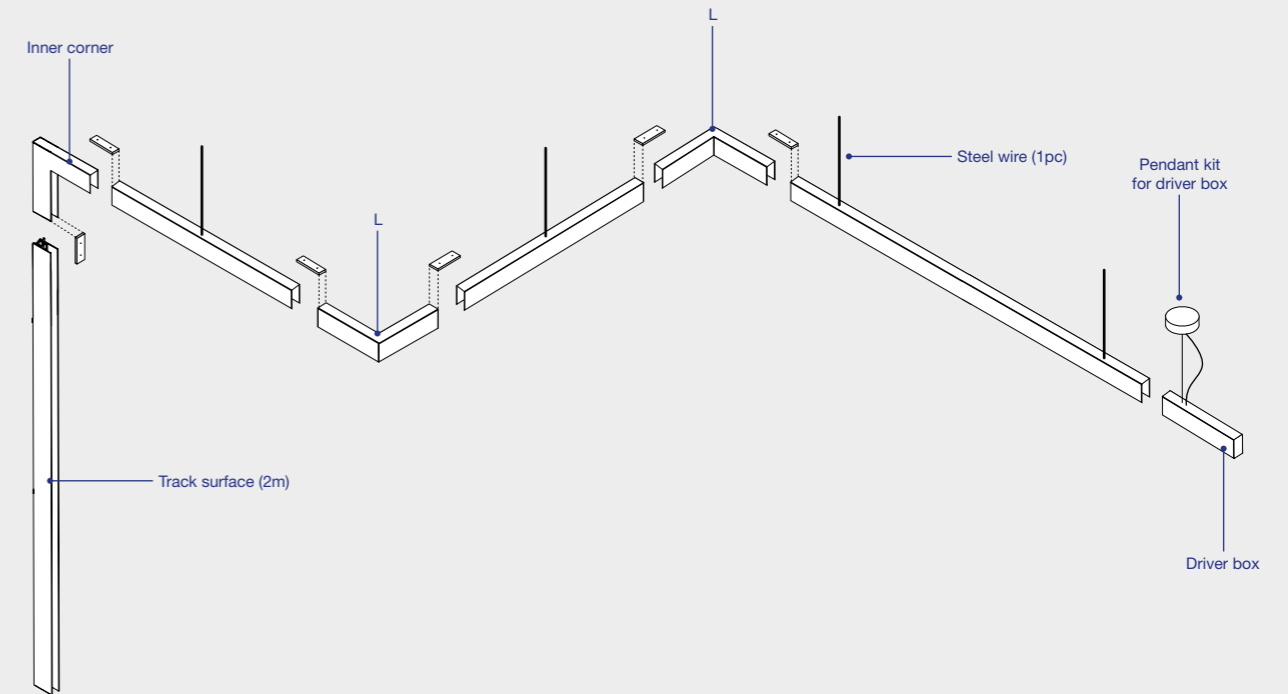
TRACK RECESSED



24V

| Family | Track Length | Finish | Control System |
|-----------------------------|--------------|---------|--------------------------|
| 5020120 Neso Track Recessed | 10 1m | 1 White | D DALI CASAMBI ON/OFF |
| | 20 2m | 2 Black | |

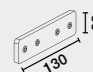
TRACK SURFACE & SUSPENSION



24V






| Family | Track Length | Finish | Control System |
|----------------------------|--------------|---------|--------------------------|
| 5020110 Neso Track Surface | 10 1m | 1 White | D DALI CASAMBI ON/OFF |
| | 20 2m | 2 Black | |

ACCESSORIES


| | |
|---|-----------------------------------|
|  | ● 5020200102 Mechanical connector |
|---|-----------------------------------|


POWER SUPPLY

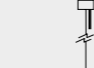

| | |
|----------|-------------------|
| 98324120 | Power supply 120W |
| 98324150 | Power supply 150W |
| 98324180 | Power supply 180W |
| 98324200 | Power supply 200W |

| | |
|---|---|
|  | ● 5020221401 / ● 5020221402 Input terminal |
| | ● 5020221401D / ● 5020221402D Input terminal DALI |
|  | ● 5020221001 / ● 5020221002 L |
| | ● 5020221001D / ● 5020221002D L DALI |
|  | ● 5020221101 / ● 5020221102 T |
| | ● 5020221101D / ● 5020221102D T DALI |
|  | ● 5020221201 / ● 5020221202 Inner corner |
| | ● 5020221201D / ● 5020221202D Inner corner DALI |
|  | ● 5020221301 / ● 5020221302 Outer corner |
| | ● 5020221301D / ● 5020221302D Outer corner DALI |

ACCESSORIES





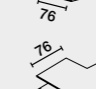
| | |
|---|-----------------------------------|
|  | ● 5020200102 Mechanical connector |
|---|-----------------------------------|

| | |
|---|---|
|  | ● 5020210001 / ● 5020210002 Driver box |
| | ● 5020210001D / ● 5020210002D Driver box DALI |

| | |
|---|---|
|  | ● 5020210201 / ● 5020210202 Pendant kit driver box |
| | ● 5020210201D / ● 5020210202D Pendant kit driver box DALI |
|  | 5020210102 Steel wire |

POWER SUPPLY

| | |
|----------|-------------------|
| 98324120 | Power supply 120W |
| 98324150 | Power supply 150W |
| 98324180 | Power supply 180W |
| 98324200 | Power supply 200W |

| | |
|---|---|
|  | ● 5020210301 / ● 5020210302 Input terminal |
| | ● 5020210301D / ● 5020210302D Input terminal DALI |
|  | ● 5020211001 / ● 5020211002 L |
| | ● 5020211001D / ● 5020211002D L DALI |
|  | ● 5020211101 / ● 5020211102 T |
| | ● 5020211101D / ● 5020211102D T DALI |
|  | ● 5020211201 / ● 5020211202 Inner corner |
| | ● 5020211201D / ● 5020211202D Inner corner DALI |
|  | ● 5020211301 / ● 5020211302 Outer corner |
| | ● 5020211301D / ● 5020211302D Outer corner DALI |

Logistic Headquarters

Calle Dinámica 1
Polígono Industrial Santa Rita
08755 Castellbisbal (Barcelona)
Tel +34 93 772 39 49
info@faro.es

Showrooms

BARCELONA
Princesa
Calle Princesa, 52
08003, Barcelona
Tel +34 93 238 73 73
info@faro.es

MADRID
docontract MAD
Calle Velázquez, 35, 4ºD
28001, Madrid
Tel +34 689 583 571
showroom@docontractmad.com

PARIS
7 Rue d'Uzès,
75002 Paris
Tel +34 687 845 758
hajar.chegri@faro.es