

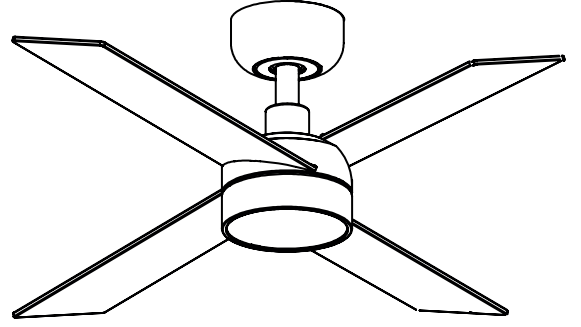
F A R O

BARCELONA



RUDDER CRUISER

Plywood blades Aluminium blades



RUDDER

Plywood blades

ENGLISH

Congratulations on the purchase of your new Faro Barcelona fan that will provide you, design, quality and comfort for many years.

We are proud of our work and appreciate the opportunity to provide one of the best ceiling fans available.

It's time to start enjoying your Faro Barcelona ceiling fan!

ESPAÑOL

Felicidades por la compra de su nuevo ventilador Faro Barcelona que le proporcionará, diseño, calidad y confort durante muchos años. Estamos orgullosos de nuestro trabajo y apreciamos la oportunidad de suministrarle uno de los mejores ventiladores de techo disponibles. ¡Toca empezar a disfrutar de su ventilador de techo Faro Barcelona!

CATALÀ

Felicitats per la compra del seu nou ventilador Faro Barcelona que li proporcionarà, disseny, qualitat i confort durant molts anys.

Estem orgullosos del nostre treball i apreciem l'oportunitat de subministrar-li un dels millors ventiladors de sostre disponibles. Comenci a gaudir del seu ventilador de sostre Faro Barcelona!

FRANÇAIS

Félicitations pour l'achat de votre nouveau ventilateur Faro Barcelona qui vous apportera design, qualité et confort pendant de nombreuses années. Nous sommes fiers de notre travail et apprécions l'opportunité de fournir l'un des meilleurs ventilateurs de plafond disponibles. Il est temps de commencer à profiter de votre ventilateur de plafond Faro Barcelona!

ITALIANO

Congratulazioni per aver acquistato un ventilatore Faro Barcelona che le garantirà design, qualità e comfort per molto tempo.

Siamo orgogliosi del nostro lavoro e apprezziamo molto che ci abbia dato l'opportunità di fornirle uno dei migliori ventilatori da soffitto disponibili nel mercato. Cominci ad utilizzare il suo nuovo ventilatore da soffitto Faro Barcelona!

PORTUGÊS

Parabéns pela compra do seu novo ventilador de Faro Barcelona que lhe proporcionará design, qualidade e conforto por muitos anos. Estamos orgulhosos do nosso trabalho e apreciamos a oportunidade de fornecer um dos melhores ventiladores de teto disponíveis. É hora de começar a desfrutar do seu ventilador de teto Faro Barcelona!

DEUTSCH

Herzlichen Glückwunsch zum Kauf Ihres neuen Faro Barcelona Ventilators, der Ihnen Design, Qualität und Komfort für viele Jahre bieten wird. Wir sind stolz auf unsere Arbeit und schätzen die Möglichkeit, Ihnen einen der besten Deckenventilatoren zu liefern. Es ist an der Zeit, Ihren Faro Barcelona Deckenventilator zu genießen!

NEDERLANDS

Gefeliciteerd met de aankoop van uw nieuwe Faro Barcelona ventilator. Deze zal u kwaliteit en confort bieden voor vele jaren. Wij zijn trots op ons werk, en waarderen de mogelijkheid om u een van de beste beschikbare plafondventilatoren te leveren. Geniet van uw nieuwe Faro Barcelona plafondventilator!

ΕΛΛΗΝΙΚΗ

Συγχαρητήρια για την αγορά του νέου σας ανεμιστήρα Faro Barcelona που θα σας προσφέρει ντιζάιν, ποιότητα και άνεση για πολλά χρόνια. Είμαστε υπερήφανοι για την δουλειά μας και εκτιμούμε την ευκαιρία να σας προσφέρουμε έναν από τους καλύτερους ανεμιστήρες οροφής της αγοράς. Ήρθε η ώρα να απολαύσετε τον ανεμιστήρα οροφής Faro Barcelona!

РУССКИЙ

Поздравляем вас с приобретением вентилятора Faro Barcelona нового поколения, который будет радовать вас своим дизайном, качеством и комфортом в течение многих лет. Мы гордимся нашей работой и ценим возможность предоставить вам один из лучших потолочных вентиляторов. Пришло время начать наслаждаться потолочным вентилятором Faro Barcelona!

ČESKY

Gratulujeme vám k zakoupení vašeho nového ventilátoru Faro Barcelona, který vám poskytne design, kvalitu a komfort po mnoho let.

Jsme hrdí na naši práci a vážíme si příležitosti poskytnout vám jeden z nejlepších stropních ventilátorů na trhu. Je načase začít si užívat váš stropní ventilátor Faro Barcelona!

POLSKI

Gratulujemy zakupu nowego wentylatora Faro Barcelona, który zapewni Ci design, jakość i komfort przez wiele lat. Jesteśmy dumni z naszej pracy i doceniamy możliwość zaoferowania jednego z najlepszych dostępnych wentylatorów sufitowych. Czas zacząć cieszyć się swoim wentylatorem Faro Barcelona!

БЪЛГАРСКИ

Поздравления за закупуването на новия вентилатор от Faro Barcelona, който ще ви осигури дизайн, качество и удобство в продължение на много години. Гордеем се с нашата продукция и оценяваме възможността да ви предоставим един от най-добрите таванни вентилатори. Време е да започнете да се наслаждавате на таванния вентилатор на Faro Barcelona!

SLOVENČINA

Blahoželáme k nákupu vášho nového ventilátora Faro Barcelona, ktorý vám poskytne dizajn, kvalitu a komfort po mnoho rokov. Sme hrdí na našu prácu a oceňujeme príležitosť poskytnúť jeden z najlepších stropných ventilátorov. Je čas začať si užívať váš stropný ventilátor Faro Barcelona!

العربية

تهانينا على شراء مروحة فارو برشلونة الجديدة التي ستوفر لك التصميم والجودة والراحة لسنوات عديدة. نحن فخورون بعملنا ونقدر الفرصة لتزويدك بأحد أفضل مراوح السقف المتاحة.

لقد حان الوقت لبدء الاستمتاع بمروحة السقف فارو برشلونة

RUDDER-S Ø1060

see assemble in page 22

| | | SMART WIZ | SMART TUYA |
|-------------------------------------|-------|------------------------|------------------------|
| | | V 220-240~ HZ 50/60 | V 100-240~ HZ 50/60 |
| Matt white Ash wood+Matt white → | 34295 | 34295WW | 34295WT |
| Matt black Walnut+Matt black → | 34296 | 34296WW | 34296WT |

| | | | SMART TUYA |
|-------------------------------------|-----------|------------------------|------------------------|
| | | V 100-120~ HZ 50/60 | V 100-240~ HZ 50/60 |
| Matt white Ash wood+Matt white → | 34295-110 | | 34295WT-110 |
| Matt black Walnut+Matt black → | 34296-110 | | 34296WT-110 |

WP

Receiver is not included in WP fan versions. Please request the corresponding reference.

| | |
|-------------------------------------|---------|
| Matt white Ash wood+Matt white → | 34295WP |
| Matt black Walnut+Matt black → | 34296WP |



Common technical specifications Especificaciones técnicas comunes

| | | | | |
|--|-------|---|-------------------------------------|---|
| Speeds Velocidades | 6 | Maximum air flow Caudal máximo | m ³ /min 124 CFM 4385 | Sizes mm/inch Medidas mm/inch |
| Max. RPM Max. RPM | 290 | Service Value Valor de Servicio | (m ³ /min)/W 4,1 | |
| Max power used Potencia max | W 30 | Weight Peso | Kg 3,30 Lb 7,20 | |
| Consumption in standby Consumo en espera | W 0,5 | | | |

RUDDER-S Ø1060 WITH LIGHT

see assemble in page 22

| | V 220-240~ HZ 50/60 | V 100-240~ HZ 50/60 | V 100-240~ HZ 50/60 |
|-------------------------------------|------------------------|------------------------|------------------------|
| Matt white Ash wood+Matt white → | 34295-1TW | 34295WW-1TW | 34295WT-1TW |
| Matt black Walnut+Matt black → | 34296-1TW | 34296WW-1TW | 34296WT-1TW |

WP

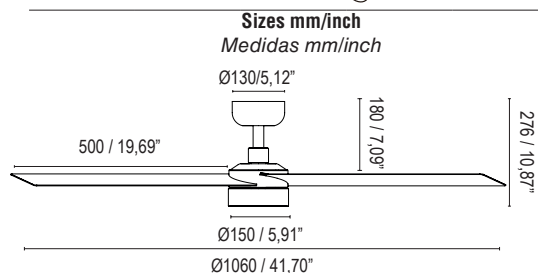
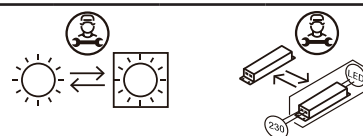
Receiver is not included in WP fan versions. Please request the corresponding reference.

| | |
|-------------------------------------|-------------|
| Matt white Ash wood+Matt white → | 34295WP-1TW |
| Matt black Walnut+Matt black → | 34296WP-1TW |



Common technical specifications Especificaciones técnicas comunes

| | | | |
|--|----------------------------------|---|-------------------------------------|
| Light Luz | LED MAX 18W 2700K-4350K-6000K | <i>This product contains a light source of energy efficiency class F Este producto contiene una fuente luminosa de la clase eficiencia energética F</i> | |
| Speeds Velocidades | 6 | Maximum air flow Caudal máximo | m ³ /min 124 CFM 4385 |
| Max. RPM Max. RPM | 290 | Service Value Valor de Servicio | (m ³ /min)/W 4,1 |
| Max power used Potencia max | W 30 | Weight Peso | Kg 3,60 Lb 7,90 |
| Consumption in standby Consumo en espera | W 0,5 | | |



max
12°

RUDDER-L-3 Ø1320

see assemble in page 13

| | | SMART WIZ | SMART TUYA |
|-------------------------------------|------------------------|------------------------|------------------------|
| | V 220-240~ HZ 50/60 | V 100-240~ HZ 50/60 | V 100-240~ HZ 50/60 |
| Matt white Ash wood+Matt white → | 34297 | 34297WW | 34297WT |
| Matt black Walnut+Matt black → | 34298 | 34298WW | 34298WT |

| | | | SMART TUYA |
|-------------------------------------|------------------------|--|------------------------|
| | V 100-120~ HZ 50/60 | | V 100-240~ HZ 50/60 |
| Matt white Ash wood+Matt white → | 34297-110 | | 34297WT-110 |
| Matt black Walnut+Matt black → | 34298-110 | | 34298WT-110 |

WP

Receiver is not included in WP fan versions. Please request the corresponding reference.

| | |
|-------------------------------------|---------|
| Matt white Ash wood+Matt white → | 34297WP |
| Matt black Walnut+Matt black → | 34298WP |



Common technical specifications Especificaciones técnicas comunes

| | | | | |
|--|-------|---|-------------------------------------|---|
| Speeds Velocidades | 6 | Maximum air flow Caudal máximo | m ³ /min 174 CFM 6147 | Sizes mm/inch Medidas mm/inch |
| Max. RPM Max. RPM | 203 | Service Value Valor de Servicio | (m ³ /min)/W 4,9 | |
| Max power used Potencia max | W 36 | Weight Peso | Kg 3,20 Lb 7,00 | |
| Consumption in standby Consumo en espera | W 0,5 | | | |



RUDDER-L-3 Ø1320 WITH LIGHT

see assemble in page 13

SMART WIZ

| | V 220-240~ HZ 50/60 | V 100-240~ HZ 50/60 |
|-------------------------------------|------------------------|------------------------|
| Matt white Ash wood+Matt white → | 34297-1TW | 34297WW-1TW |
| Matt black Walnut+Matt black → | 34298-1TW | 34298WW-1TW |

WP

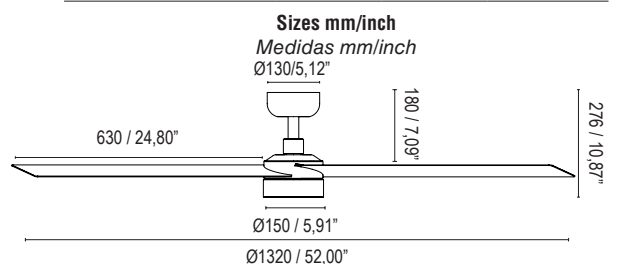
Receiver is not included in WP fan versions. Please request the corresponding reference.

| | |
|-------------------------------------|-------------|
| Matt white Ash wood+Matt white → | 34297WP-1TW |
| Matt black Walnut+Matt black → | 34298WP-1TW |



Common technical specifications Especificaciones técnicas comunes

| | | | |
|--|----------------------------------|---|-------------------------------------|
| Light Luz | LED MAX 18W 2700K-4350K-6000K | <i>This product contains a light source of energy efficiency class F Este producto contiene una fuente luminosa de la clase eficiencia energética F</i> | |
| Speeds Velocidades | 6 | Maximum air flow Caudal máximo | m ³ /min 174 CFM 6147 |
| Max. RPM Max. RPM | 203 | Service Value Valor de Servicio | (m ³ /min)/W 4,9 |
| Max power used Potencia max | W 36 | Weight Peso | Kg 3,50 Lb 7,70 |
| Consumption in standby Consumo en espera | W 0,5 | | |



DC
motor



max
12°

RUDDER-L-4 Ø1320

see assemble in page 13

| | V 220-240~ HZ 50/60 | SMART WIZ V 100-240~ HZ 50/60 | SMART TUYA V 100-240~ HZ 50/60 |
|-------------------------------------|------------------------|-------------------------------------|--------------------------------------|
| Matt white Ash wood+Matt white → | 34355 | | 34355WT |
| Matt black Walnut+Matt black → | 34356 | | 34356WT |

| | V 100-120~ HZ 50/60 | SMART TUYA V 100-240~ HZ 50/60 |
|-------------------------------------|------------------------|--------------------------------------|
| Matt white Ash wood+Matt white → | 34355-110 | 34355WT-110 |
| Matt black Walnut+Matt black → | 34356-110 | 34356WT-110 |

WP

Receiver is not included in WP fan versions. Please request the corresponding reference.

| | |
|-------------------------------------|---------|
| Matt white Ash wood+Matt white → | 34355WP |
| Matt black Walnut+Matt black → | 34356WP |



Common technical specifications Especificaciones técnicas comunes

| | | | | |
|--|-------|---|-------------------------------------|---|
| Speeds Velocidades | 6 | Maximum air flow Caudal máximo | m ³ /min 174 CFM 6147 | Sizes mm/inch Medidas mm/inch |
| Max. RPM Max. RPM | 203 | Service Value Valor de Servicio | (m ³ /min)/W 4,9 | |
| Max power used Potencia max | W 36 | Weight Peso | Kg 3,20 Lb 7,00 | |
| Consumption in standby Consumo en espera | W 0,5 | | | |

RUDDER-L-4 Ø1320 WITH LIGHT

see assemble in page 13

SMART TUYA

| | V 220-240~ HZ 50/60 | V 100-240~ HZ 50/60 |
|-------------------------------------|------------------------|------------------------|
| Matt white Ash wood+Matt white → | 34355-1TW | 34355WT-1TW |
| Matt black Walnut+Matt black → | 34356-1TW | 34356WT-1TW |

WP

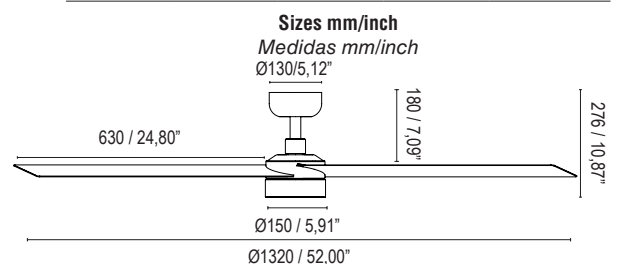
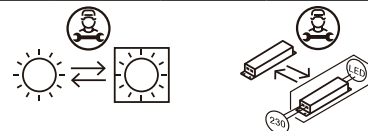
Receiver is not included in WP fan versions. Please request the corresponding reference.

| | |
|-------------------------------------|-------------|
| Matt white Ash wood+Matt white → | 34355WP-1TW |
| Matt black Walnut+Matt black → | 34356WP-1TW |



Common technical specifications Especificaciones técnicas comunes

| | | | |
|--|----------------------------------|---|-------------------------------------|
| Light Luz | LED MAX 18W 2700K-4350K-6000K | <i>This product contains a light source of energy efficiency class F Este producto contiene una fuente luminosa de la clase eficiencia energética F</i> | |
| Speeds Velocidades | 6 | Maximum air flow Caudal máximo | m ³ /min 174 CFM 6147 |
| Max. RPM Max. RPM | 203 | Service Value Valor de Servicio | (m ³ /min)/W 4,9 |
| Max power used Potencia max | W 36 | Weight Peso | Kg 3,50 Lb 7,70 |
| Consumption in standby Consumo en espera | W 0,5 | | |



DC
motor



max
12°

CRUISER-S Ø1060

see assemble in page 22

| | V 220-240~ HZ 50/60 | SMART WIZ V 100-240~ HZ 50/60 | SMART TUYA V 100-240~ HZ 50/60 |
|------------------------|------------------------|-------------------------------------|--------------------------------------|
| Matt black+Aluminium → | 34285 | 34285WW | 34285WT |
| Matt white → | 34288 | 34288WW | 34288WT |
| Matt black → | 34289 | 34289WW | 34289WT |

| | V 100-120~ HZ 50/60 | SMART TUYA V 100-240~ HZ 50/60 |
|------------------------|------------------------|--------------------------------------|
| Matt black+Aluminium → | 34285-110 | 34285WT-110 |
| Matt white → | 34288-110 | 34288WT-110 |
| Matt black → | 34289-110 | 34289WT-110 |

WP

Receiver is not included in WP fan versions. Please request the corresponding reference.

| | |
|------------------------|---------|
| Matt black+Aluminium → | 34285WP |
| Matt white → | 34288WP |
| Matt black → | 34289WP |

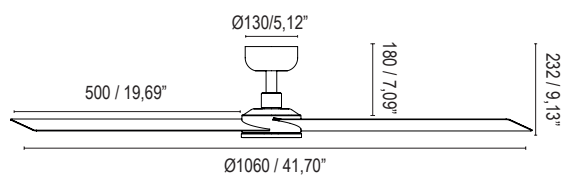


Common technical specifications Especificaciones técnicas comunes

| | |
|--|-------|
| Speeds Velocidades | 6 |
| Max. RPM Max. RPM | 292 |
| Max power used Potencia max | W 30 |
| Consumption in standby Consumo en espera | W 0,5 |

| | |
|---|------------------------|
| Maximum air flow Caudal máximo | m³/min 136 CFM 4810 |
| Service Value Valor de Servicio | (m3/min)/W 4,5 |
| Weight Peso | Kg 3,70 Lb 8,20 |

Sizes mm/inch Medidas mm/inch



CRUISER-S Ø1060 WITH LIGHT

see assemble in page 22

| | V 220-240~ HZ 50/60 | SMART WIZ V 100-240~ HZ 50/60 | SMART TUYA V 100-240~ HZ 50/60 |
|------------------------|------------------------|-------------------------------------|--------------------------------------|
| Matt black+Aluminium → | 34285-1TW | 34285WW-1TW | 34285WT-1TW |
| Matt white → | 34288-1TW | 34288WW-1TW | 34288WT-1TW |
| Matt black → | 34289-1TW | 34289WW-1TW | 34289WT-1TW |

WP

Receiver is not included in WP fan versions. Please request the corresponding reference.

| | |
|------------------------|-------------|
| Matt black+Aluminium → | 34285WP-1TW |
| Matt white → | 34288WP-1TW |
| Matt black → | 34289WP-1TW |



Common technical specifications Especificaciones técnicas comunes

| | | | |
|--|----------------------------------|---|-------------------------------------|
| Light Luz | LED MAX 18W 2700K-4350K-6000K | <i>This product contains a light source of energy efficiency class F Este producto contiene una fuente luminosa de la clase eficiencia energética F</i> | |
| Speeds Velocidades | 6 | Maximum air flow Caudal máximo | m ³ /min 136 CFM 4810 |
| Max. RPM Max. RPM | 292 | Service Value Valor de Servicio | (m ³ /min)/W 4,5 |
| Max power used Potencia max | W 30 | Weight Peso | Kg 3,60 Lb 7,90 |
| Consumption in standby Consumo en espera | W 0,5 | | |



DC
motor



max
12°

CRUISER-L Ø1320

see assemble in page 22

| | | SMART WIZ | SMART TUYA |
|------------------------|------------------------|------------------------|------------------------|
| | V 220-240~ HZ 50/60 | V 100-240~ HZ 50/60 | V 100-240~ HZ 50/60 |
| Matt black+Aluminium → | 34286 | 34286WW | 34286WT |
| Matt white → | 34290 | 34290WW | 34290WT |
| Matt black → | 34291 | 34291WW | 34291WT |

| | | | SMART TUYA |
|------------------------|------------------------|--|------------------------|
| | V 100-120~ HZ 50/60 | | V 100-240~ HZ 50/60 |
| Matt black+Aluminium → | 34286-110 | | 34286WT-110 |
| Matt white → | 34290-110 | | 34290WT-110 |
| Matt black → | 34291-110 | | 34291WT-110 |

WP

Receiver is not included in WP fan versions. Please request the corresponding reference.

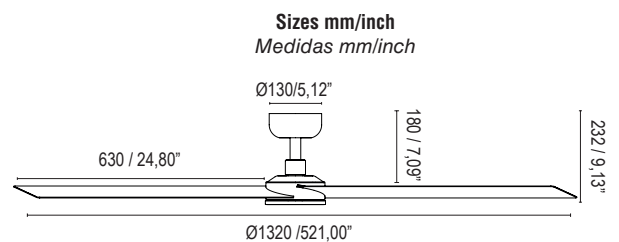
| | |
|------------------------|---------|
| Matt black+Aluminium → | 34286WP |
| Matt white → | 34290WP |
| Matt black → | 34291WP |



Common technical specifications Especificaciones técnicas comunes

| | |
|--|-------|
| Speeds Velocidades | 6 |
| Max. RPM Max. RPM | 210 |
| Max power used Potencia max | W 36 |
| Consumption in standby Consumo en espera | W 0,5 |

| | |
|---|------------------------|
| Maximum air flow Caudal máximo | m³/min 174 CFM 6147 |
| Service Value Valor de Servicio | (m3/min)/W 4,9 |
| Weight Peso | Kg 3,70 Lb 8,20 |



CRUISER-L Ø1320 WITH LIGHT

see assemble in page 22

| | V 220-240~ HZ 50/60 | SMART WIZ V 100-240~ HZ 50/60 | SMART TUYA V 100-240~ HZ 50/60 |
|------------------------|------------------------|-------------------------------------|--------------------------------------|
| Matt black+Aluminium → | 34286-1TW | 34286WW-1TW | 34286WT-1TW |
| Matt white → | 34290-1TW | 34290WW-1TW | 34290WT-1TW |
| Matt black → | 34291-1TW | 34291WW-1TW | 34291WT-1TW |

WP

Receiver is not included in WP fan versions. Please request the corresponding reference.

| | |
|------------------------|-------------|
| Matt black+Aluminium → | 34286WP-1TW |
| Matt white → | 34290WP-1TW |
| Matt black → | 34291WP-1TW |



Common technical specifications Especificaciones técnicas comunes

| | | | |
|--|----------------------------------|---|------------------------------------|
| Light Luz | LED MAX 18W 2700K-4350K-6000K | <i>This product contains a light source of energy efficiency class F Este producto contiene una fuente luminosa de la clase eficiencia energética F</i> | |
| Speeds Velocidades | 6 | Maximum air flow Caudal máximo | m ³ min 174 CFM 6147 |
| Max. RPM Max. RPM | 210 | Service Value Valor de Servicio | (m3/min)/W 4,9 |
| Max power used Potencia max | W 36 | Weight Peso | Kg 3,80 Lb 8,30 |
| Consumption in standby Consumo en espera | W 0,5 | | |



DC
motor



max
12°

CRUISER-XL Ø1600

see assemble in page 22

| | | SMART WIZ | SMART TUYA |
|------------------------|------------------------|------------------------|------------------------|
| | V 220-240~ HZ 50/60 | V 100-240~ HZ 50/60 | V 100-240~ HZ 50/60 |
| Matt black+Aluminium → | 34287 | 34287WW | 34287WT |
| Matt white → | 34292 | 34292WW | 34292WT |
| Matt black → | 34293 | 34293WW | 34293WT |

| | | | SMART TUYA |
|------------------------|------------------------|--|------------------------|
| | V 100-120~ HZ 50/60 | | V 100-240~ HZ 50/60 |
| Matt black+Aluminium → | 34287-110 | | 34287WT-110 |
| Matt white → | 34292-110 | | 34292WT-110 |
| Matt black → | 34293-110 | | 34293WT-110 |

WP

Receiver is not included in WP fan versions. Please request the corresponding reference.

| | |
|------------------------|---------|
| Matt black+Aluminium → | 34287WP |
| Matt white → | 34292WP |
| Matt black → | 34293WP |



Common technical specifications Especificaciones técnicas comunes

| | | | | |
|--|-------|---|------------------------|---|
| Speeds Velocidades | 6 | Maximum air flow Caudal máximo | m³/min 217 CFM 7640 | Sizes mm/inch Medidas mm/inch  |
| Max. RPM Max. RPM | 149 | Service Value Valor de Servicio | (m³/min)/W 6,3 | |
| Max power used Potencia max | W 35 | Weight Peso | Kg 3,70 Lb 8,20 | |
| Consumption in standby Consumo en espera | W 0,5 | | | |

 **max 12°** Max 12° only with additional down rod (200mm or longer).
See www.faro.es



CRUISER-XL Ø1600 WITH LIGHT

see assemble in page 22

| | V 220-240~ HZ 50/60 | SMART WIZ V 100-240~ HZ 50/60 | SMART TUYA V 100-240~ HZ 50/60 |
|------------------------|------------------------|-------------------------------------|--------------------------------------|
| Matt black+Aluminium → | 34287-1TW | 34287WW-1TW | 34287WT-1TW |
| Matt white → | 34292-1TW | 34292WW-1TW | 34292WT-1TW |
| Matt black → | 34293-1TW | 34293WW-1TW | 34293WT-1TW |

WP

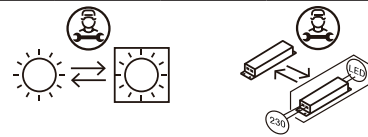
Receiver is not included in WP fan versions. Please request the corresponding reference.

| | |
|------------------------|-------------|
| Matt black+Aluminium → | 34287WP-1TW |
| Matt white → | 34292WP-1TW |
| Matt black → | 34293WP-1TW |



Common technical specifications Especificaciones técnicas comunes

| | | | |
|--|----------------------------------|---|-------------------------------------|
| Light Luz | LED MAX 18W 2700K-4350K-6000K | <i>This product contains a light source of energy efficiency class F Este producto contiene una fuente luminosa de la clase eficiencia energética F</i> | |
| Speeds Velocidades | 6 | Maximum air flow Caudal máximo | m ³ /min 217 CFM 7640 |
| Max. RPM Max. RPM | 149 | Service Value Valor de Servicio | (m ³ /min)/W 6,3 |
| Max power used Potencia max | W 35 | Weight Peso | Kg 4,00 Lb 8,80 |
| Consumption in standby Consumo en espera | W 0,5 | | |



max 12° Max 12° only with additional down rod (200mm or longer). See www.faro.es



DC
motor



 ENGLISH

Together we take care of the planet. This is why we reduce paper consumption. Please refer to the safety, maintenance and warranty instructions at www.faro.es. If you cannot access it, call us at +34 937 723 965 or write to export@faro.es.

 ESPAÑOL

Juntos cuidamos el planeta. Por eso reducimos el consumo de papel. Puedes consultar las instrucciones de seguridad, mantenimiento y garantía en www.faro.es. Si no puedes acceder, llámanos al +34 902 165 166 o escríbenos a faro@lorefar.com.

 CATALÀ

Junts cuidem el planeta. Per això reduïm el consum de paper. Pots consultar les instruccions de seguretat, manteniment i garantia en www.faro.es. Si no hi pots accedir, telefona'ns al +34 902 165 166 o escriu-nos a faro@lorefar.com.

 FRANÇAIS

Ensemble, nous prenons soin de la planète. C'est pourquoi nous réduisons la consommation de papier. Veuillez-vous référer aux instructions de sécurité, d'entretien et de garantie sur www.faro.es. Si vous ne pouvez pas y accéder, appelez-nous au +34 937 723 965 ou écrivez à export@faro.es.

 ITALIANO

Insieme proteggiamo il pianeta. Questo è il motivo per il quale abbiamo ridotto il consumo di carta. Per favore, leggi le istruzioni sulla sicurezza, la manutenzione e la garanzia sul sito www.faro.es. Se non puoi accedere, chiamaci al +34 937 723 965 o scrivici a export@faro.es.

 PORTUGÊS

Juntos cuidamos do planeta. É por este motivo que reduzimos o consumo de papel. Consulte as instruções de segurança, manutenção e garantia em www.faro.es. Se não conseguir aceder, ligue para +34 937 723 965 ou escreva para export@faro.es.

 DEUSTCH

Gemeinsam sorgen wir uns um unseren Planeten. Deshalb reduzieren wir den Papierverbrauch. Bitte beachten Sie die Sicherheits-, Wartungs- und Garantiehinweise unter www.faro.es. Wenn Sie nicht darauf zugreifen können, rufen Sie uns unter +34 937 723 965 an oder schreiben Sie an export@faro.es.

 NEDERLANDS

We dragen samen zorg voor onze planeet. Daarom verminderen wij het papiergebruik. Raadpleeg de veiligheids-, onderhouds- en garantiehandleiding op www.faro.es. Kan u ze niet raadplegen? Bel ons op +34 937 723 965 of schrijf ons op export@faro.es

 ΕΛΛΗΝΙΚΗ

Μαζί φροντίζουμε τον πλανήτη. Για αυτόν τον λόγο μειώνουμε την κατανάλωση χαρτιού. Παρακαλούμε, ανατρέξτε στις οδηγίες ασφαλείας, συντήρησης και εγγύησης στην ιστοσελίδα www.faro.es. Αν δεν μπορείτε να αποκτήσετε πρόσβαση, τηλεφωνήστε μας στο +34 937 723 965 ή γράψτε μας στο export@faro.es.

 РУССКИЙ

Вместе мы заботимся о планете. Вот почему мы сокращаем потребление бумаги. Пожалуйста, обратитесь к инструкциям по безопасности, техническому обслуживанию и гарантии на сайте www.faro.es. Если вы не можете получить к нему доступ, позвоните нам по телефону +34 937 723 965 или напишите на export@faro.es.

 ĀESKY

Společně pečujeme o planetu. Proto omezujeme spotřebu papíru. Přečtěte si, prosím, pokyny týkající se bezpečnosti, údržby a záruky na www.faro.es. Pokud na stránky nemáte přístup, zavolejte nám na tel. +34 937 723 965 nebo napište na export@faro.es.

 POLSKI

Razem dbamy o planetę. Dlatego zmniejszamy zużycie papieru. Proszę zapoznać się z instrukcjami bezpieczeństwa, konserwacji i gwarancji na www.faro.es. Jeśli nie możesz uzyskać do niego dostępu, zadzwoń do nas pod numer +34 937 723 965 lub napisz na adres export@faro.es.

 БЪЛГАРСКИ

Заедно ние се грижим за планетата. Ето защо намаляваме консумацията на хартия. Моля, направете справка с инструкциите за безопасност, поддръжка и гаранция на www.faro.es. Ако нямате достъп до сайта, обадете ни се на +34 937 723 965 или пишете на export@faro.es.

 SLOVENĀINA

Spoločne sme sa postarat' o tejto planéte. To je dôvod, prečo sme znížiť spotrebu papiera. Pozri pokyny k bezpečnosti, údržby a záruky na www.faro.es. Ak nemôžete pristupovať, zavolajte na telefónne číslo +34 937 723 965 alebo pište n export@faro.es.

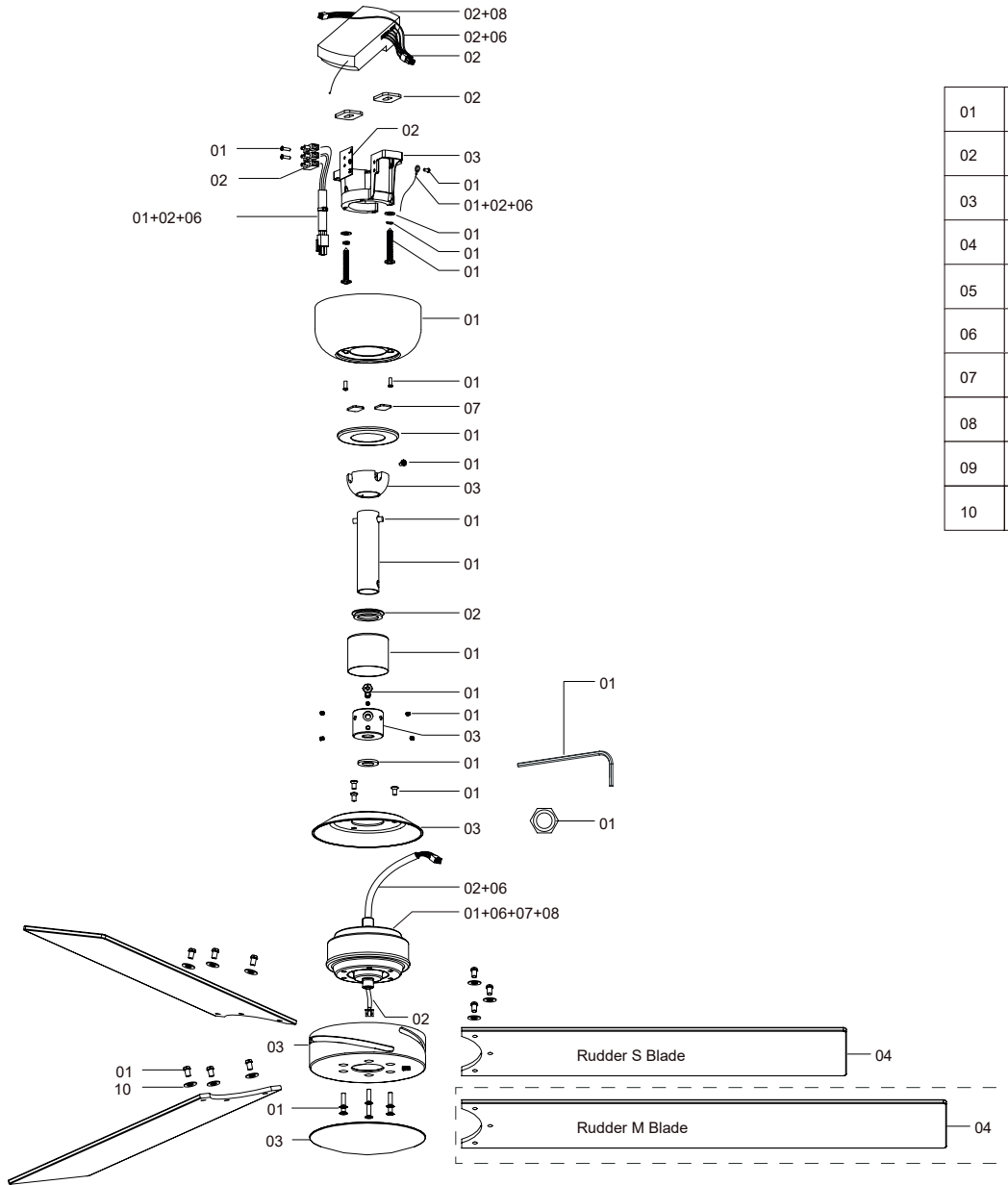




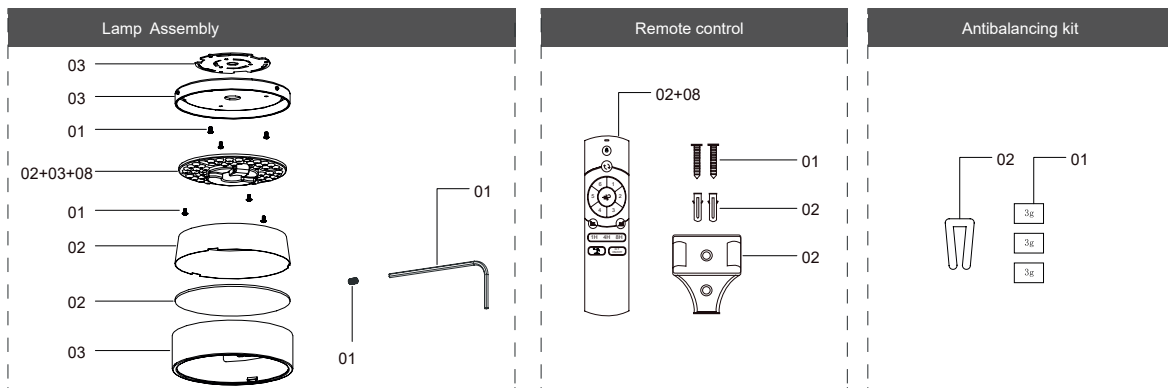
When the luminaire reaches its end of life, take it to the nearest clean point.

Recicle la luminaria en el punto verde cuando ésta llegue al final de su vida útil.

RUDDER-S-L3



| | |
|----|-------------|
| 01 | Steel |
| 02 | Plastic |
| 03 | Aluminium |
| 04 | Wood |
| 05 | Zinc |
| 06 | Copper |
| 07 | Magnet |
| 08 | Electronics |
| 09 | Glass |
| 10 | Paper |

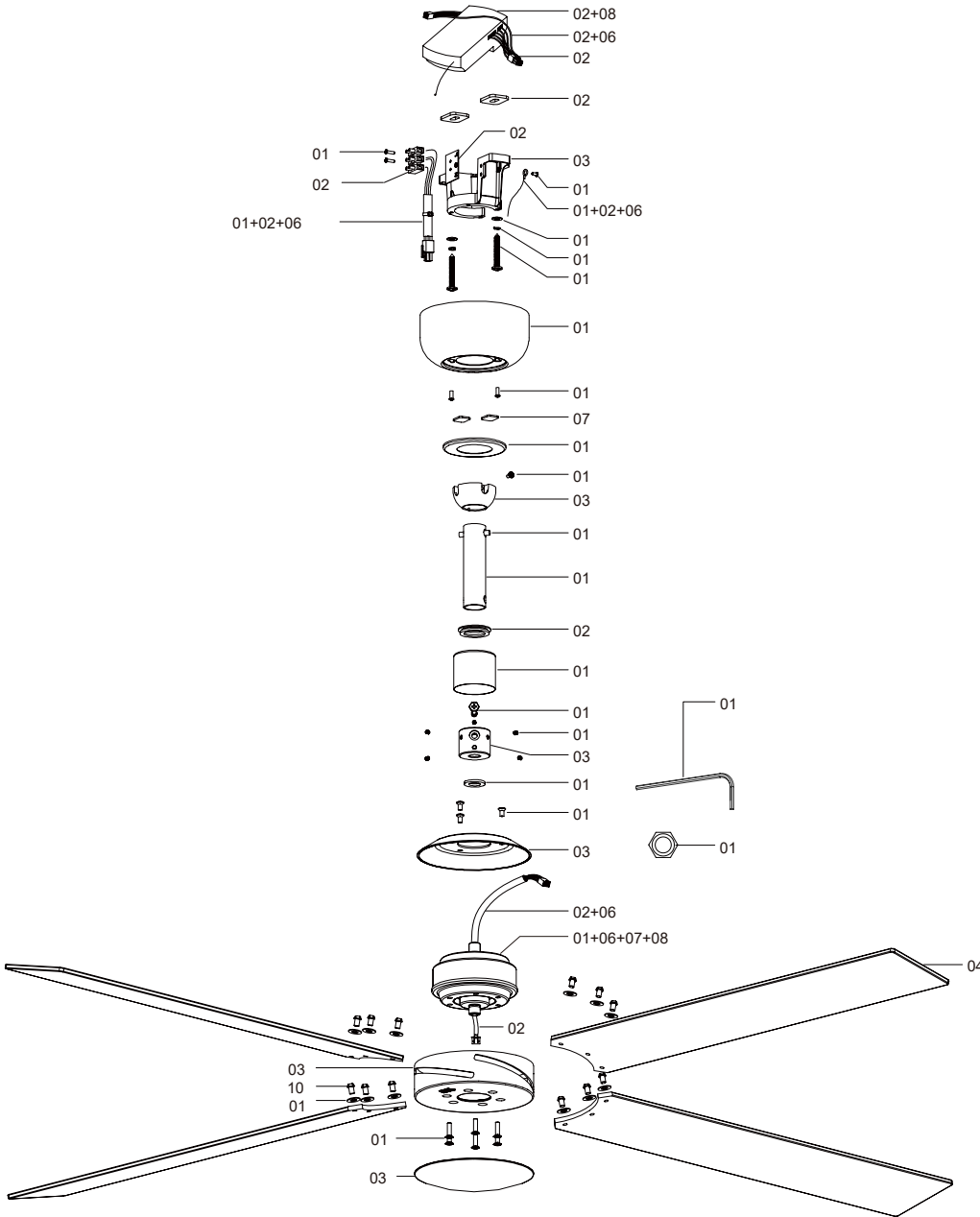




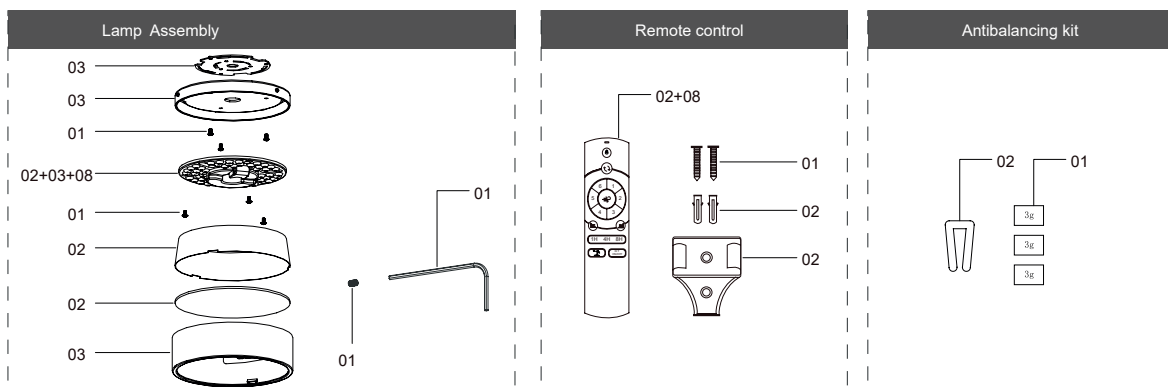
When the luminaire reaches its end of life, take it to the nearest clean point.

Recicle la luminaria en el punto verde cuando ésta llegue al final de su vida útil.

RUDDER-L4



| | |
|----|-------------|
| 01 | Steel |
| 02 | Plastic |
| 03 | Aluminium |
| 04 | Wood |
| 05 | Zinc |
| 06 | Copper |
| 07 | Magnet |
| 08 | Electronics |
| 09 | Glass |
| 10 | Paper |

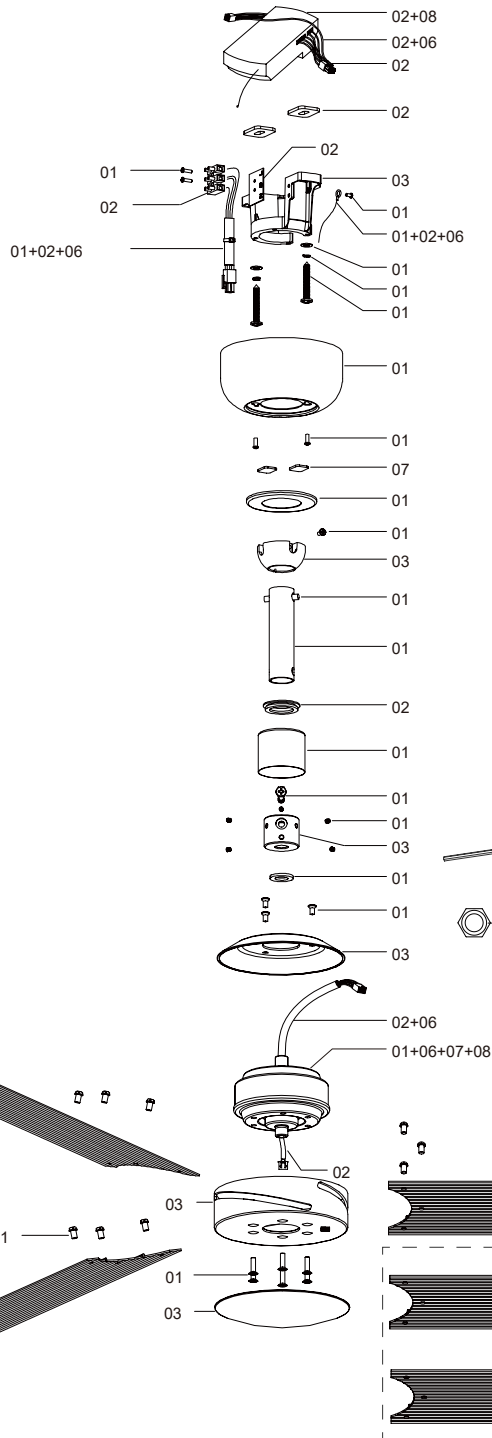




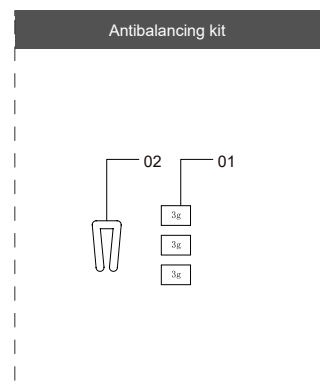
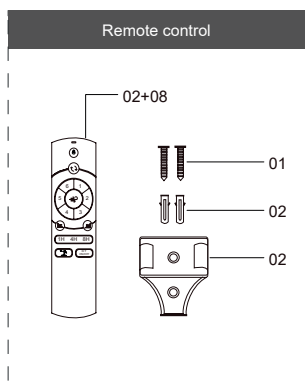
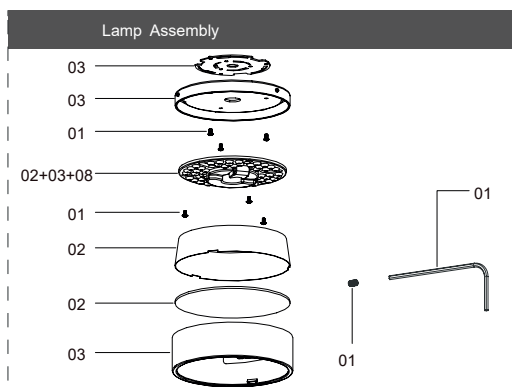
When the luminaire reaches its end of life, take it to the nearest clean point.

Recicle la luminaria en el punto verde cuando ésta llegue al final de su vida útil.

CRUISER



| | |
|----|-------------|
| 01 | Steel |
| 02 | Plastic |
| 03 | Aluminium |
| 04 | Wood |
| 05 | Zinc |
| 06 | Copper |
| 07 | Magnet |
| 08 | Electronics |
| 09 | Glass |





Important Importante

ENGLISH

The manuals contain the complete instructions for installing and operating with your fan safely. Remember to tighten all screws firmly and make all connections correctly

ESPAÑOL

El manual de contiene las instrucciones completas para instalar y operar con su ventilador de forma segura.

Recuerde apretar firmemente todos los tornillos y hacer todas las conexiones correctamente.

CATALÀ

Els manuals contenen les instruccions completes per instal·lar i operar amb el seu ventilador de forma segura.

Recordi estrènyer fermament tots els cargols i fer totes les connexions correctament.

FRANÇAIS

Le manuel d'utilisation contient les instructions complètes pour installer et utiliser votre ventilateur en toute sécurité.

N'oubliez pas de serrer toutes les vis fermement et de faire toutes les connexions correctement

ITALIANO

Il manuale operativo contiene le istruzioni complete per installare ed utilizzare il suo ventilatore in totale sicurezza.

Ricordi di avvitare bene tutti i bulloni e realizzare tutte le connessioni nella maniera corretta.

PORTUGÊS

O manual de operação contém as instruções completas para instalação e operação com o seu ventilador com segurança. Lembre-se de apertar firmemente todos os parafusos e fazer todas as conexões corretamente.

DEUTSCH

Die Betriebsanleitung enthält vollständige Anweisungen für die sichere Installation und den sicheren Betrieb Ihres Ventilators. Denken Sie daran, alle Schrauben fest anzuziehen und alle Verbindungen korrekt herzustellen.

NEDERLANDS

De gebruikshandleiding bevat de volledige instructies voor de installatie en de veilige bediening van uw ventilator.

Vergeet niet om alle schroeven stevig vast te draaien, en alle verbinding correct aan te sluiten.

ΕΛΛΗΝΙΚΗ

Το εγχειρίδιο λειτουργίας περιέχει τις πλήρεις οδηγίες για την εγκατάσταση και λειτουργία με τον ανεμιστήρα σας με ασφάλεια.

Θυμηθείτε να σφίξετε καλά όλες τις βίδες και να κάνετε σωστά όλη τη συνδεσμολογία.

РУССКИЙ

Руководство по эксплуатации содержит полные инструкции по установке и безопасному использованию вашего вентилятора.

Не забудьте крепко затянуть все винты и правильно установить все соединения.

ČESKY

Provozní příručka obsahuje kompletní pokyny pro instalaci a bezpečný provoz vašeho ventilátoru.

Nezapomeňte pevně dotáhnout všechny šrouby a vše správně připojit!

POLSKI

Instrukcja obsługi zawiera kompletnie wskazówki dotyczące bezpiecznego instalowania i obsługi wentylatora.

Pamiętaj, aby mocno dokręcić wszystkie śruby i prawidłowo wykonać wszystkie połączenia!

БЪЛГАРСКИ

Ръководството за експлоатация съдържа пълните инструкции за безопасно монтиране и работа с вашия вентилатор.

Не забравяйте да затегнете здраво всички винтове и да свържете правилно всички връзки.

SLOVENČINA

Návod na obsluhu obsahuje úplné pokyny na inštaláciu a bezpečnú prevádzku s ventilátorom.

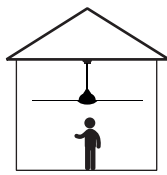
Nezabudnite pevne utiahnuť všetky skrutky a urobiť všetky pripojenia správne.



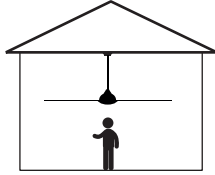
يحتوي الدليل على التعليمات الكاملة لتثبيت المروحة وتشغيلها بأمان. تذكر أن تشد بقوة جميع البراغي والقيام بجميع التوصيلات بشكل صحيح.

Warnings
Precauciones

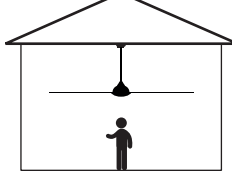
Locations



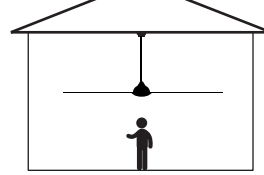
<13m²
≤Ø107cm



13-17m²
Ø107-132cm

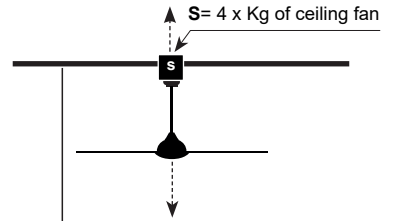
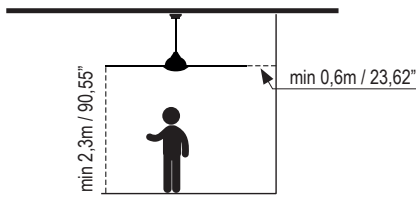
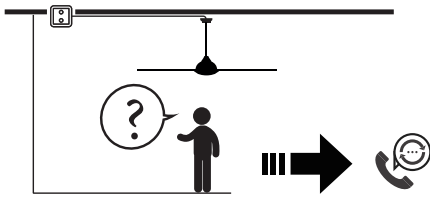


17-28m²
Ø132-165cm

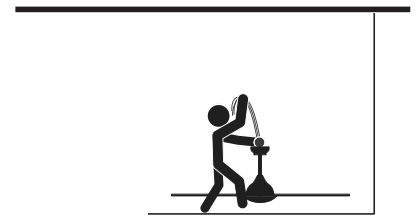
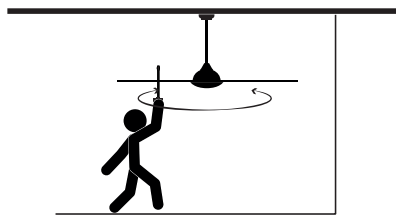


>28m²
≤Ø165cm

Security



The support must support at least 4 times the weight of the fan.
El soporte debe aguantar como mínimo 4 veces el peso del ventilador.



+ info

www.faro.es
faro@lorefar.com

+34 918 315 425
+34 937723965
902 165 166

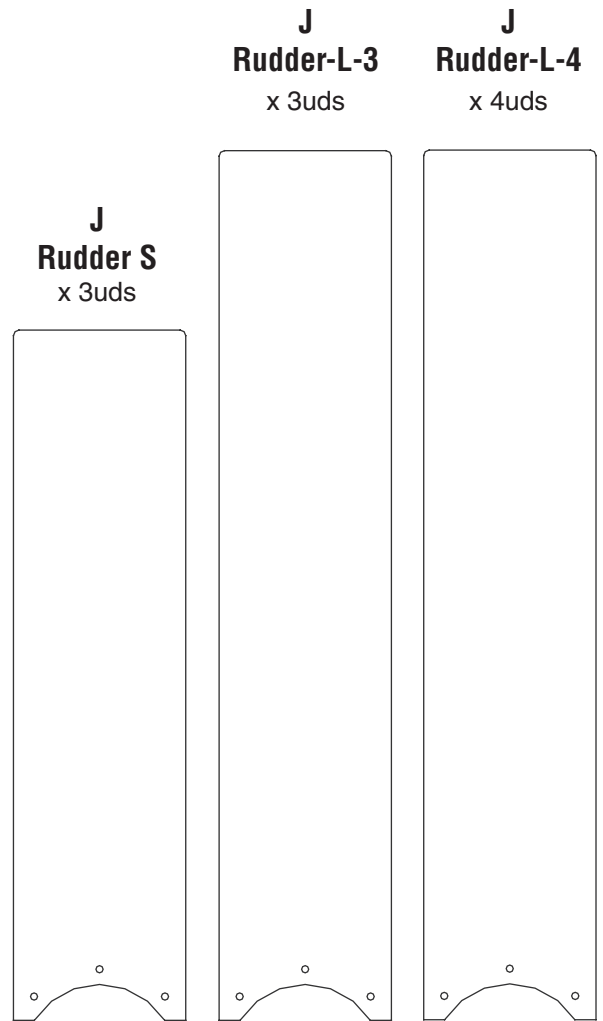
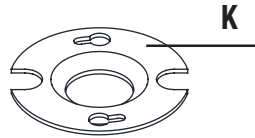
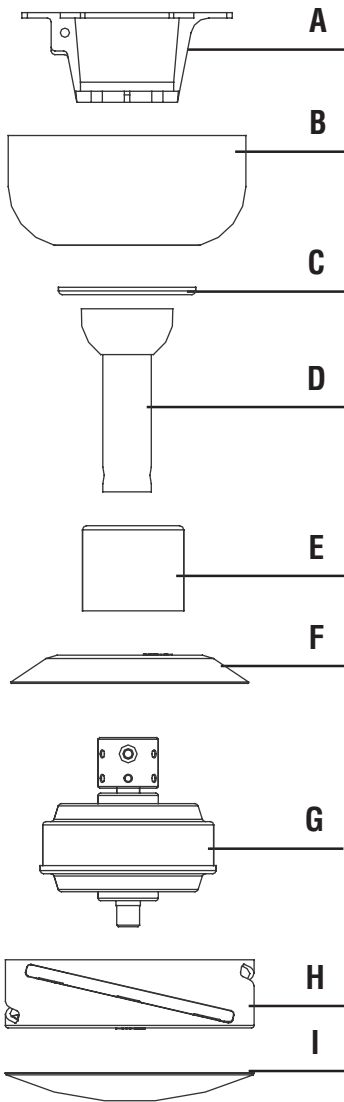
Calle Dinámica Nº1,
Pol. Ind. Santa Rita
08755 Castellbisbal, Barcelona, Spain





RUDDER Parts

Parts
Partes

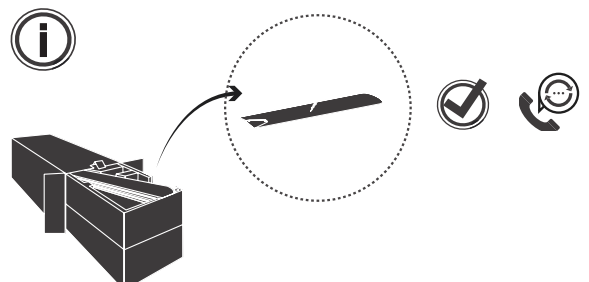


L

NOTE
 In WP fan versions, receiver not included, please request the corresponding reference.

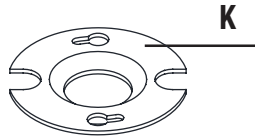
M

N inf
 ONLY for ceiling fans with light kit. See refs in pages. 3, 5, 7



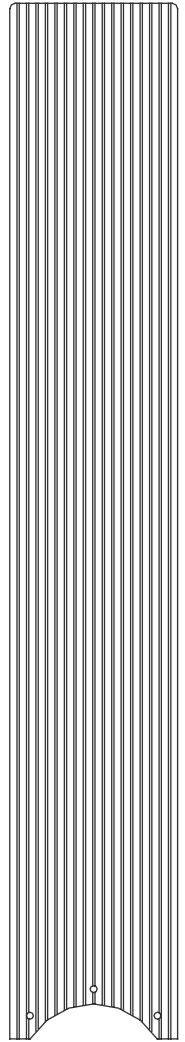
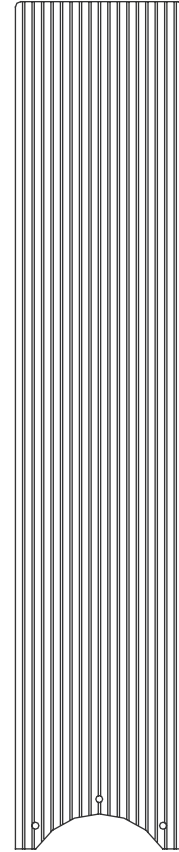
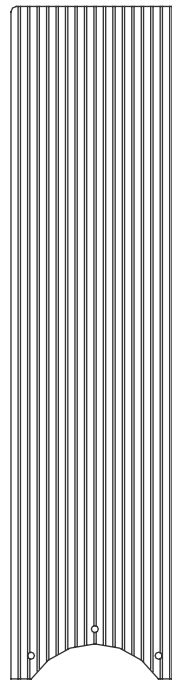


J
Cruiser XL
x 3uds

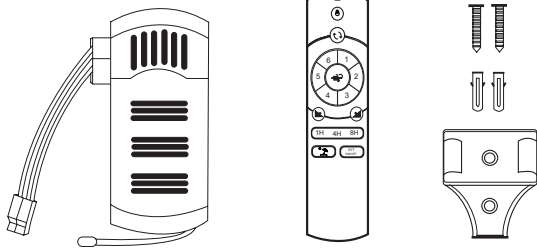


J
Cruiser L
x 3uds

J
Cruiser S
x 3uds



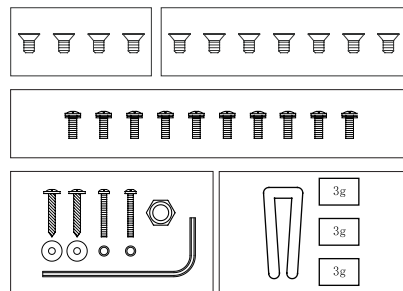
L



NOTE

In WP fan versions, receiver not included, please request the corresponding reference.

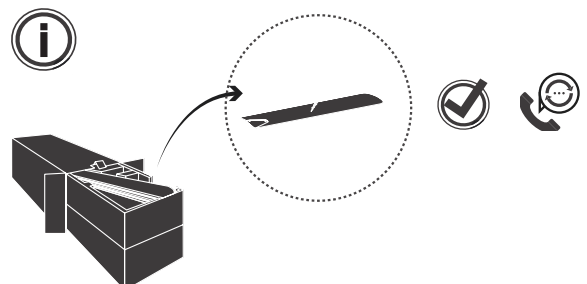
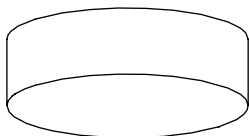
M



N

inf

ONLY for ceiling fans with light kit. See refs in pages 3, 5, 7



ASSEMBLY

01



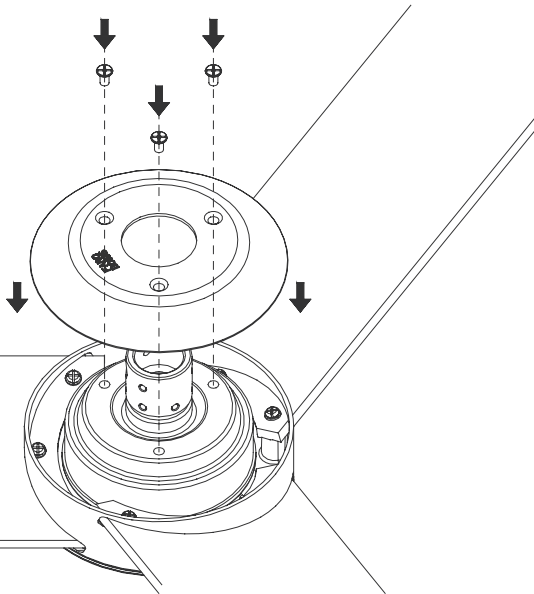
02



+inf

Step 4th is ONLY for ceiling fans with light kit

03

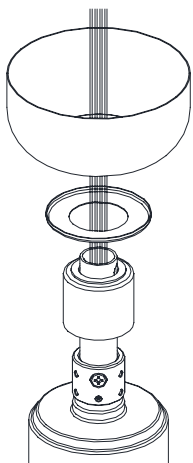


04



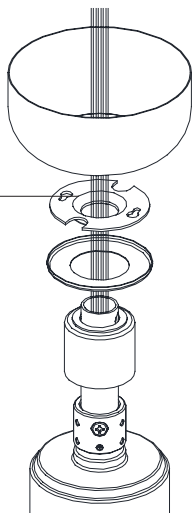
05

Stopped ceiling
max 12°

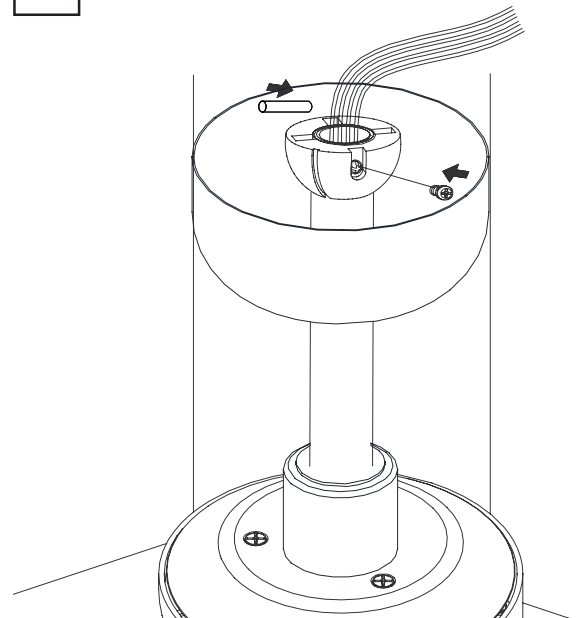


Flat ceiling

Tilt blocker



06

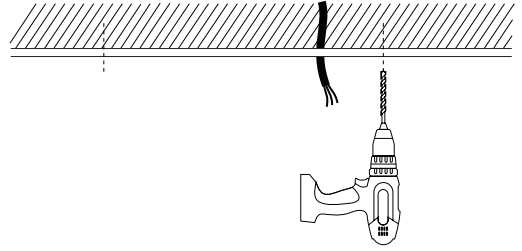


ASSEMBLY

07



08



09



10



11

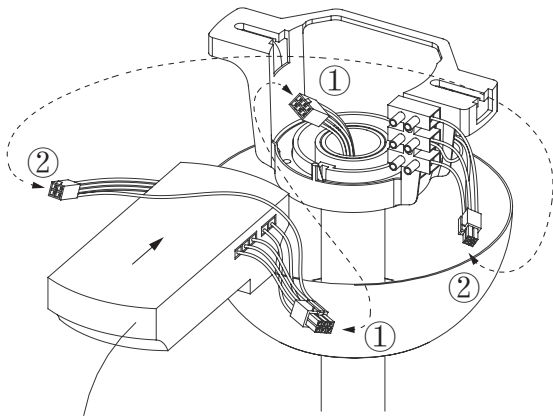


12

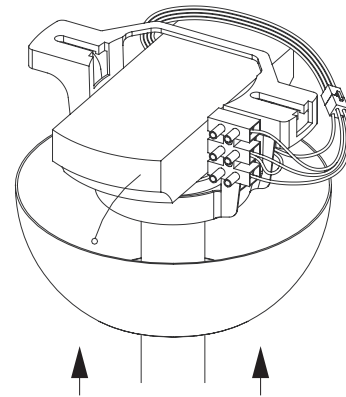


ASSEMBLY

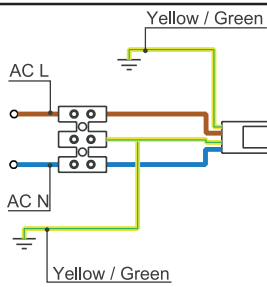
13



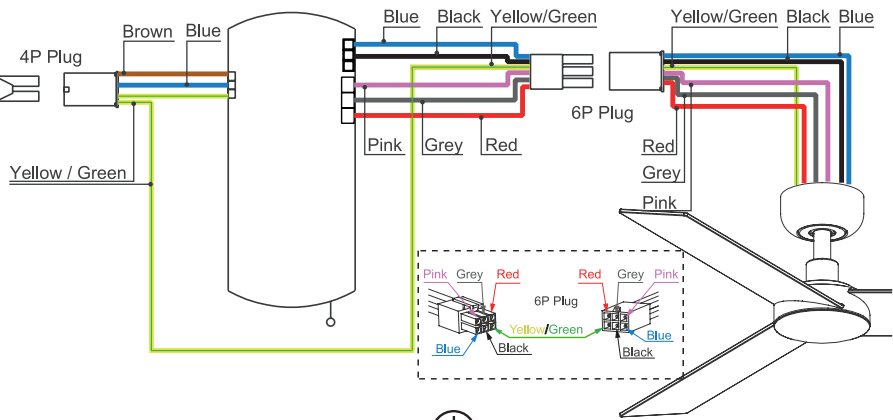
14



15




16

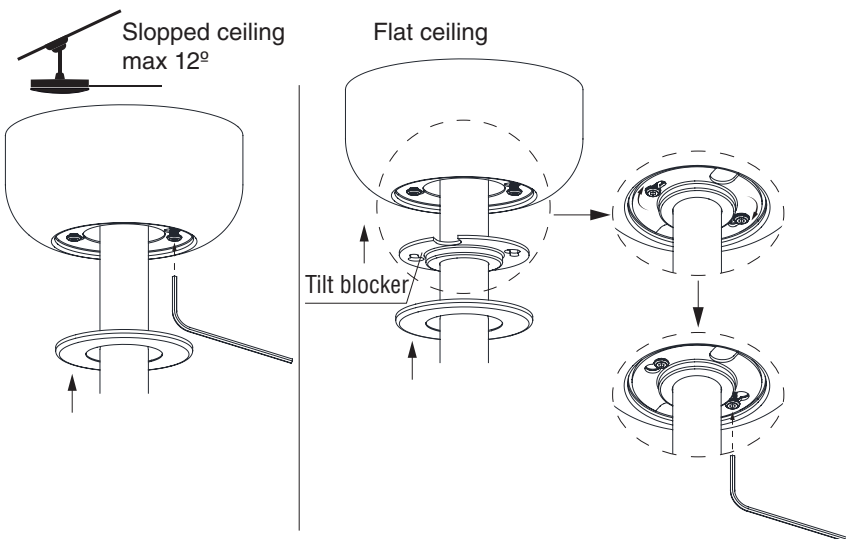


L
marrón, marró, brown, marron, marrone, castanho, braun, bruin, кафэ́, коричневый, hnědá, brązowy, кафяв, hnedý

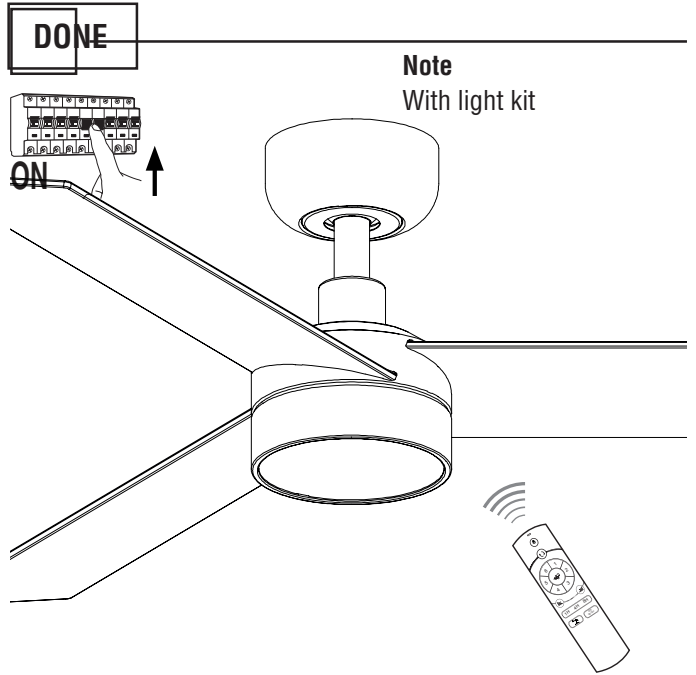
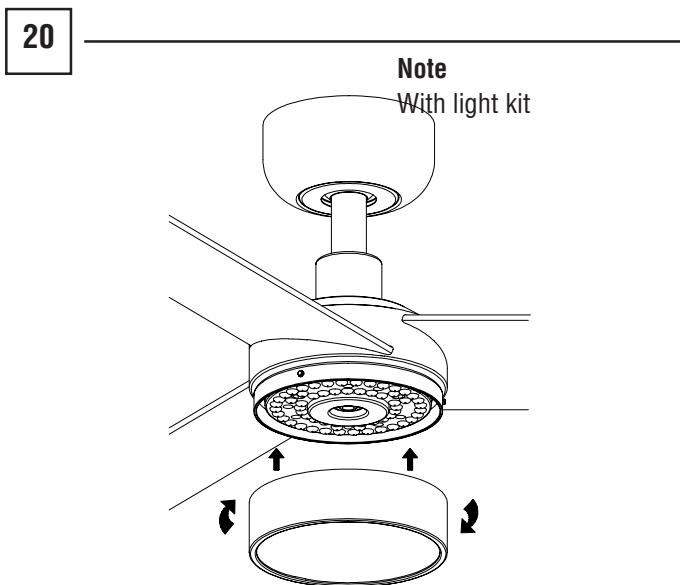
N
azul, blau, blue, bleu, blu, azul, blau, blauw, μπλε, синий, modrá, niebieski, син, modrý
بنى

 amarillo-verde, groc-verd, yellow-green, jaune-vert, giallo-verde, verde-amarelo, gelb-grün, gell-groen, κίτρινο-πράσινο, желто-зеленый, žlutozelená, żółto-zielony, жълто-зелен, Žltozelená
أصفر - أخضر

17



ASSEMBLY

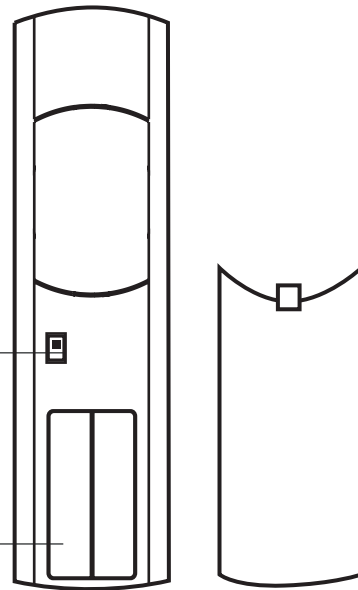


REMOTE CONTROL



9 "D": DIM is on
"O": NO DIM & Accessories

2pcs x 1,5V AAA (no incl)



ENGLISH

- 1- Turn the ceiling fan on and off.
- 2- Reverse function for winter & summer.
- 3- Ceiling fan speeds: 1 (the lowest) to 6 (the highest).
- 4- Breeze: The ceiling fan speeds automatic cycle between 1 to 6 speeds.
- 5- Light Dimmer: Only for ceiling fans with dimmable light kit.
- 6- Timer: The fan stops after 1h/4h/8h.
- 7- Only for ceiling fans with light kit: turn on, turn off and change the light color.
- 8- Vacation mode: switch on the light 5 minutes each 2 or 3 hours.
- 9- "D" Dim is ON.
"O" Dim is OFF. For light kit no dimmable, ceiling fans without light kit and accessories.

ESPAÑOL

- 1- Pone en marcha y apaga el ventilador.
- 2- Función inversa (invierno-verano).
- 3- Velocidades del ventilador: 1 (la más lenta) a 6 (la más rápida).
- 4- Función brisa: la velocidad de ventilador cambia automáticamente pasando por las seis velocidades.
- 5- Regula la intensidad de la luz cuando el ventilador lleve kit de luz regulable.
- 6- Temporizador: el ventilador funcionará durante 1h, 4h o 8h.
- 7- Sólo para ventiladores con kit de luz: enciende, apaga y regula la el color de la luz cuando el ventilador lo permita.
- 8- Modo vacaciones: Enciende y apaga la luz del ventilador durante 5 minutos cada 2 o 3 horas.
- 9- "D" Dim encendido.
"O" Dim apagado. Para kits de luz no regulables, ventiladores sin kit de luz y accesorios.

CATALÀ

- 1- Posa en marxa i apaga el ventilador.
- 2- Funció inversa (hivern-estiu).
- 3- Velocitats del ventilador: 1 (la més lenta) a 6 (la més ràpida).
- 4- Funció brisa: la velocitat de ventilador canvia automàticament passant per les sis velocitats.
- 5- Regulador de llum: només per a ventiladors de sostre amb kit de llum regulable.
- 6- Temporitzador: el ventilador funcionarà durant 1h, 4h o 8h.
- 7- Només per a ventiladors amb kit de llum: encén, apaga i canvia el color de la llum.
- 8- Funció vacances: Encén i apaga la llum del ventilador durant 5 minuts cada 2 o 3 hores.
- 9- "D" Dim encès.
"O" Dim apagat. Per a kits de llum no regulables, ventiladors sense kit de llum i accessoris.

FRANÇAIS

- 1- Allume et éteint le ventilateur.
- 2- Fonction inverse pour l'hiver et l'été: changer la direction du tour du ventilateur.
- 3- Vitesses du ventilateur de plafond: 1 (le plus bas) à 5 (le plus élevé).
- 4- Fonction brise : la vitesse du ventilateur change automatiquement tout en passant par les six vitesses.
- 5- Gradateur de lumière : uniquement pour les ventilateurs de plafond avec kit d'éclairage à intensité variable.
- 6- Avec Programmeur: le ventilateur s'arrête après 1h / 4h / 8h.
- 7- Uniquement pour les ventilateurs de plafond avec kit d'éclairage : allumez, éteignez et changez la couleur de la lumière.
- 8- Mode vacances: allumez le kit d'éclairage du ventilateur de plafond 5 minutes toutes les 2 ou 3 heures.
- 9-"D" Dim est activé.
"O" Dim est désactivé. Pour kit d'éclairage non dimmable, ventilateurs de plafond sans kit d'éclairage et accessoires.

ITALIANO

- 1- Accende e spegne il ventilatore.
- 2- Funzione inversa inverno-estate.
- 3- Velocità: da 1 (la più bassa) a 5 (la più alta).
- 4- Funzione Breeze: la velocità della ventola cambia automaticamente attraverso le sei velocità.
- 5- Regolazione dell'intensità luminosa: solo per ventilatori da soffitto con kit luce dimmerabile.
- 6- Timer: la ventola funzionerà per 1h, 4h o 8h.
- 7- Solo per ventilatori da soffitto con kit luce: accendi, spegni e cambia il colore della luce.
- 8- Modalità vacanza: accendi e spegni la luce della ventola per 5 minuti ogni 2 o 3 ore.
- 9- "D" Dim è ON.
"O" Dim è OFF. Per kit luci non dimmerabili, ventilatori a soffitto senza kit luci e accessori.

PORTUGÊS

- 1- Desligue o ventilador.
- 2- Função inverno-verão inversa.
- 3- Velocidades: 1 (a mais baixa) a 5 (a mais alta)
- 4- Função Breeze: a velocidade do ventilador muda automaticamente através das seis velocidades.
- 5- Regulação da intensidade luminosa: Apenas para ventiladores de teto com kit de luz regulável.
- 6- O ventilador funcionará por 1h, 4h ou 8h.
- 7- Apenas para ventiladores de teto com kit de luz: liga, desliga e muda a cor da luz.
- 8- Modo férias: Acende e apaga a luz do ventilador por 5 minutos a cada 2 ou 3 horas.
- 9- "D" Dim está LIGADO.
"O" Dim está DESLIGADO. Para kit de luz sem dimerização, ventiladores de teto sem kit de luz e acessórios.

REMOTE CONTROL

DEUSTCH

- 1- Schalten Sie den Lüfter aus.
- 2- Umgekehrte Winter-Sommer-Funktion.
- 3- Geschwindigkeiten: 1 (die niedrigste) bis 6 (die höchste)
- 4- Breeze-Funktion: Die Lüftergeschwindigkeit ändert sich automatisch durch die sechs Geschwindigkeiten.
- 5- Regulierung der Lichtintensität. Nur für Deckenventilatoren mit dimmbarem Lichtset.
- 6- Der Lüfter läuft 1h, 4h oder 8h.
- 7- Nur für Deckenventilatoren mit Lichtset: einschalten, ausschalten und die Lichtfarbe ändern.
- 8- Urlaubsmodus: Schalten Sie das Lüfterlicht alle zwei oder drei Stunden für 5 Minuten ein und aus.
- 9- "D" Dimmen ist EIN.
"O" Dim ist AUS. Für Beleuchtungsset, nicht dimmbar, Deckenventilatoren ohne Beleuchtungsset und Zubehör.

NEDERLANDS

- 1- Schakel de ventilator uit.
- 2- Omgekeerde winter-zomerfunctie.
- 3- Snelheden: 1 (de laagste) tot 6 (de hoogste).
- 4- Breeze-functie: de ventilatorsnelheid verandert automatisch door de zes snelheden.
- 5- Lichtdimmer: alleen voor plafondventilatoren met dimbare lichtset.
- 6- De ventilator werkt 1 uur, 4 uur of 8 uur.
- 7- Alleen voor plafondventilatoren met lichtset: aan, uit en verander de lichtkleur.
- 8- Vakantiemodus: schakel het ventilatorlicht elke twee of drie uur gedurende 5 minuten in en uit.
- 9- "D" Dim staat AAN.
"O" Dim is UIT. Voor lichte kit niet dimbaar, plafondventilatoren zonder lichtkit en accessoires.

ΕΛΛΗΝΙΚΗ

- 1- Κλείστε τον ανεμιστήρα.
- 2- Αντίστροφη συνάρτηση χειμώνα-καλοκαίρι.
- 3- Ταχύτητες: 1 (η χαμηλότερη) έως 6 (η υψηλότερη).
- 4- Λειτουργία αεράκι: η ταχύτητα του ανεμιστήρα αλλάζει αυτόματα στις έξι ταχύτητες.
- 5- Ρύθμιση έντασης φωτός. Μόνο για ανεμιστήρες οροφής με kit ρυθμιζόμενου φωτός.
- 6- Ο ανεμιστήρας θα λειτουργεί για 1 ώρα, 4 ώρες ή 8 ώρες.
- 7- Μόνο για ανεμιστήρες οροφής με kit φωτισμού: ενεργοποιήστε, απενεργοποιήστε και αλλάξτε το χρώμα του φωτός.
- 8- Λειτουργία διακοπών: Ανάβετε και σβήνετε το φως του ανεμιστήρα για 5 λεπτά κάθε δύο ή τρεις ώρες.
- 9- Το "D" Dim είναι ON.
Το "O" Dim είναι OFF. Για kit lihgt χωρίς ρυθμιζόμενο, ανεμιστήρες οροφής χωρίς kit φωτισμού και αξεσουάρ.

РУССКИЙ

- 1- Выключите вентилятор.
- 2- Обратная функция зима-лето.
- 3- Скорости: от 1 (самая низкая) до 6 (самая высокая).
- 4- Функция бриза: скорость вращения вентилятора автоматически изменяется на шести скоростях.
- 5- Диммер света: Только для потолочных вентиляторов с комплектом диммируемого света.
- 6- Вентилятор будет работать 1 час, 4 часа или 8 часов.
- 7- Только для потолочных вентиляторов с комплектом подсветки: включение, выключение и изменение цвета подсветки.
- 8- Режим отпуска: включайте и выключайте свет вентилятора на 5 минут каждые два или три часа.
- 9- Диммер «D» включен.
Диммер «O» выключен. Для комплекта освещения без регулировки яркости, потолочные вентиляторы без комплекта освещения и аксессуаров.

ČESKY

- 1- Vypněte ventilátor.
- 2- Inverzní funkce zima-léto.
- 3- Rychlosti: 1 (nejnižší) až 5 (nejvyšší).
- 4- Funkce vánku: rychlost ventilátoru se automaticky mění prostřednictvím šesti rychlostí.
- 5- Stmívání světla: Pouze pro stropní ventilátory se sadou stmívatelného světla.

6- Ventilátor bude pracovat 1h, 4h nebo 8h.

7- Pouze pro větráky ceiling se sadou světla: zapnout, vypnout a změnit barvu světla.

8- Režim Dovolena: Každé dvě nebo tři hodiny zapnete a vypnete světlo ventilátoru na 5 minut.

9- "D" Dim je zapnuto.

"O" Dim je VYPNUTO. Pro lihgt kit nestmívatelné, stropní ventilátory bez světelné sady a příslušenství.

POLSKI

- 1- Wyłącz wentylator.
- 2- Funkcja odwrotna zima-lato.
- 3- Prędkości: 1 (najniższa) do 6 (najwyższa).
- 4- Funkcja bryzy: prędkość wentylatora zmienia się automatycznie na sześciu poziomach.
- 5- Ściemniacz światła: tylko dla wentylatorów sufitowych z zestawem oświetlenia z możliwością przyciemniania.
- 6- Wentylator będzie działał przez 1h, 4h lub 8h.
- 7- Tylko dla fanów sufitów z zestawem oświetleniowym: włącz, wyłącz i zmień kolor światła.
- 8- Tryb wakacyjny: włączaj i wyłączaj światło wentylatora na 5 minut co dwie lub trzy godziny.
- 9- Dim „D” jest włączony.
Dim „O” jest WYŁĄCZONY. Do zestawu oświetleniowego nie można ściemniać, wentylatory sufitowe nie zawierają zestawu oświetleniowego i akcesoriów.

БЪЛГАРСКИ

- 1- Изключете вентилатора.
- 2- Обратна функция зима-лято..
- 3- Скорости: 1 (най-ниската) до 6 (най-високата).
- 4- Скоростта на вентилатора се променя автоматично през шестте скорости.
- 5- Светлинен диммер: Само за таванни вентилатори с димируем светлинен комплект..
- 6- Вентилаторът ще работи 1, 4 или 8 часа.
- 7- Само за таванни вентилатори със светлинен комплект: включване, изключване и промяна на цвета на светлината.
- 8- Режим на почивка: Включвайте и изключвайте светлината на вентилатора за 5 минути на всеки два или три часа.
- 9- "D" Dim е ВКЛЮЧЕНО.
"O" Dim е ИЗКЛЮЧЕНО. За осветителен комплект без димиране, таванни вентилатори без осветителен комплект и аксесоари.

SLOVENČINA

- 1- Vpnite ventilátor.
- 2- Inverzná funkcia zima-leto.
- 3- Rýchlosti: 1 (najnižšia) až 6 (najvyššia).
- 4- Rýchlosť ventilátora sa automaticky mení prostredníctvom šiestich rýchlostí.
- 5- Stmievač svetla: Len pre stropné ventilátory so súpravou stmievateľného svetla.
- 6- Ventilátor bude fungovať 1h, 4h alebo 8h.
- 7- Len pre fanúšikov ceilingu so súpravou svetla: zapnite, vypnite a zmeňte farbu svetla.
- 8- Režim Dovolenska: Zapnite a vypnite svetlo ventilátora na 5 minút každé dve alebo tri hodiny.
- 9- „D” Dim je zapnuté.
„O” Dim je VYPNUTÉ. Pre súpravu osvetlenia bez možnosti stmievania, stropné ventilátory bez súpravy osvetlenia a príslušenstva.

العربية

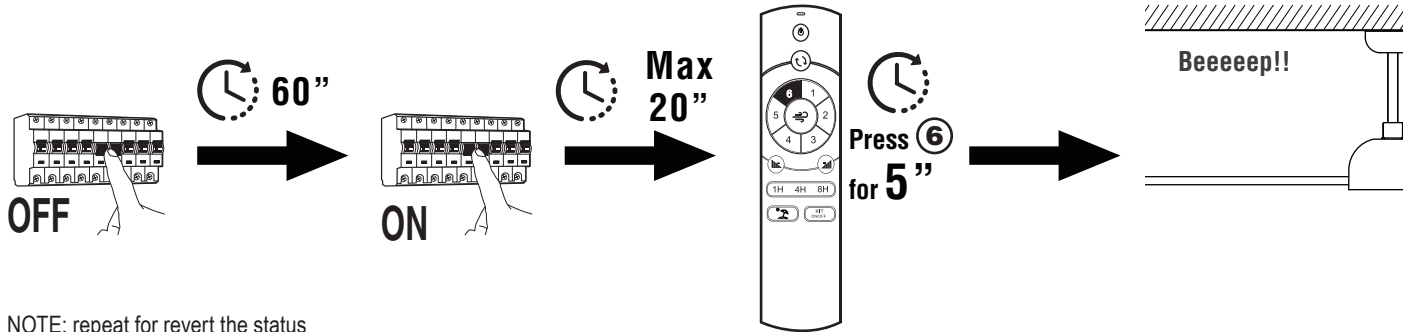
- 1- قم بإيقاف تشغيل مروحة السقف
- 2- وظيفة عكسية لفصل الشتاء والصيف
- 3- سرعات مروحة السقف
- 4- نسيم هو مروحة السقف سرعات الدورة الأوتوماتيكية بين سرعات واحدة إلى ست سرعات
- 5- خافت الإضاءة فقط المراوح السقف المرودة مجموعة إضاءة قابلة للتعتيم
- 6- المؤقت: تتوقف المروحة بعد ساعة أو أربع ساعات أو ثماني ساعات
- 7- فقط المراوح السقف المرودة مجموعة إضاءة ، قم بإيقاف تشغيلها وتغيير لون الضوء
- 8- وضع الإجازة عبارة عن مفتاح تشغيل لمجموعة الإضاءة الخاصة بمروحة السقف
- 9- "O" عكس الضوء قيد التشغيل
"D" عكس الضوء هو قبالة
بالنسبة لمجموعة الإضاءة ، لا توجد مراوح سقف قابلة للتعتيم بدون مجموعة إضاءة وإكسسوارات

SPECIAL CONFIGURATIONS



FAN FUNCTION MEMORY

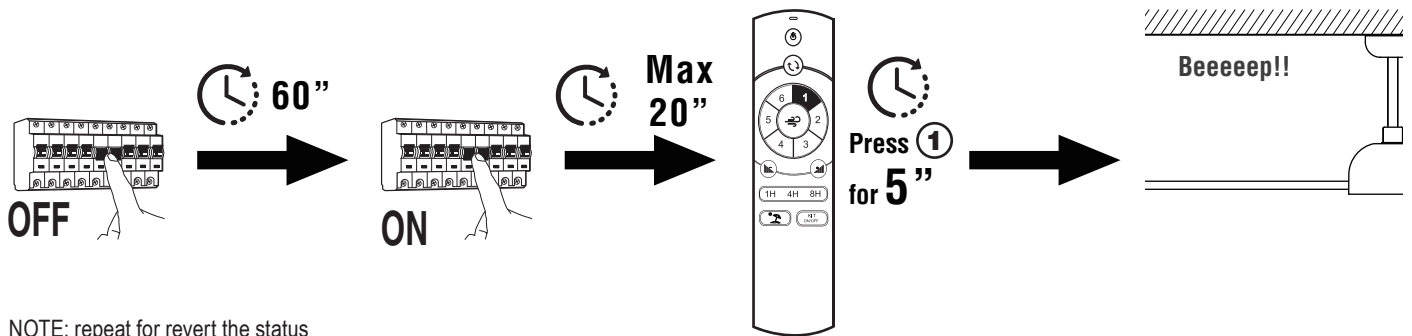
On/Off fan, Speeds, Reverse, Breeze Mode



NOTE: repeat for revert the status

LIGHT MEMORY

On, Off, Dimmer



NOTE: repeat for revert the status

CONFIRMATION ACTION SOUND



NOTE: repeat for revert the status

SPECIAL CONFIGURATIONS



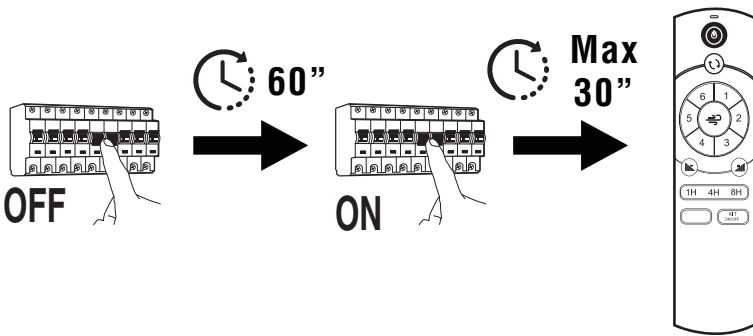
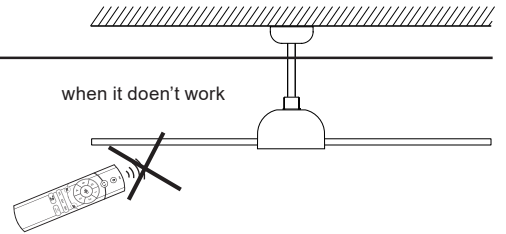
LOCK REMOTE KEYS

Except (on/off fan) & (on/off light) keys

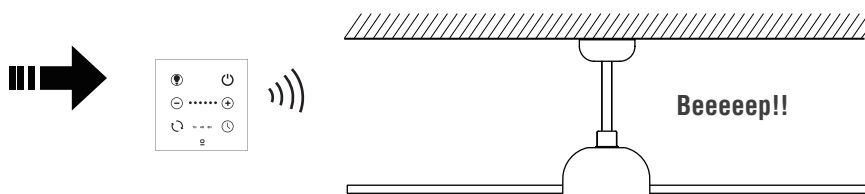
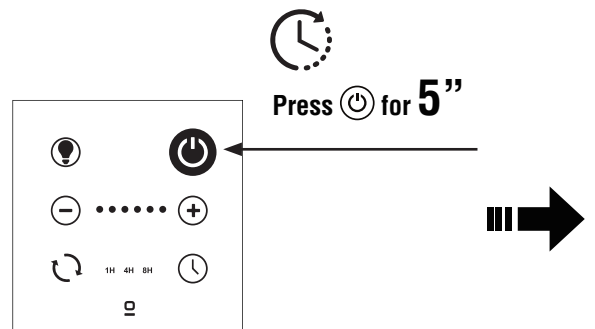
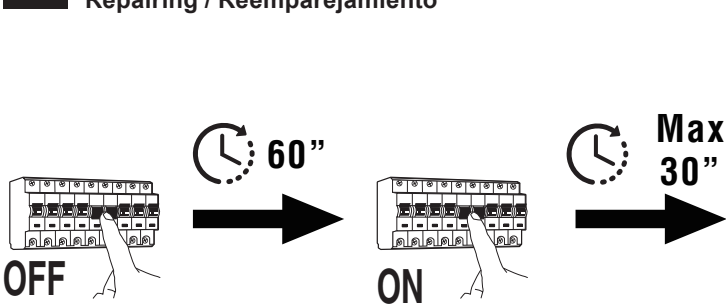


NOTE: repeat for revert the status

REMOTE CONTROL: Repairing / Reemparejamiento



WALL CONTROL 33974 NO INCL Repairing / Reemparejamiento

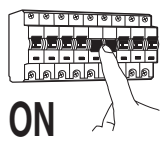


NOTE: repeat for revert the status

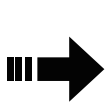
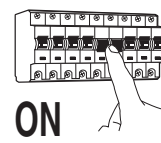
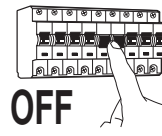
SPECIAL CONFIGURATIONS



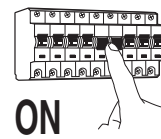
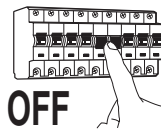
MORE THAN ONE CEILING FAN PER ONE REMOTE



Steps 01 to 05
(see ** above)
with Ceiling fan 1

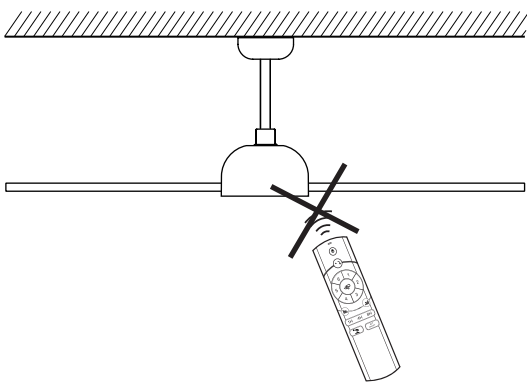


Steps 01 to 05
(see ** above)
with Ceiling fan 2



...

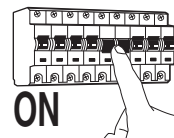
Repairing : IF REMOTE DOESN'T WORK **



01



02



03

Max 30''

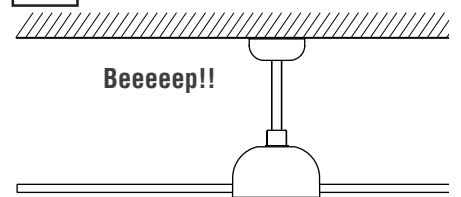
04



Press  for 5''



05



NOTE: repeat for revert the status

01



Available on the iPhone
App Store

ANDROID APP ON
Google play



02



03



8 sec bip bip bip

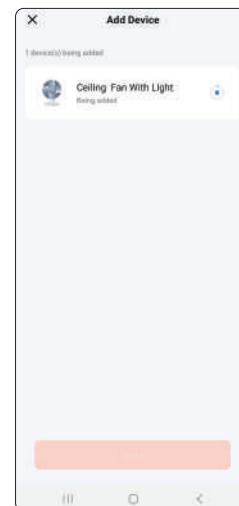
04



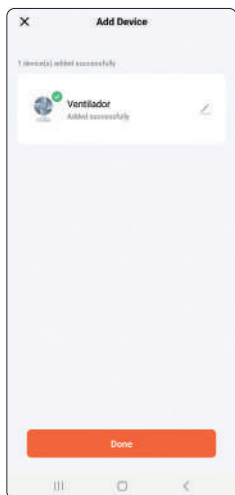
05



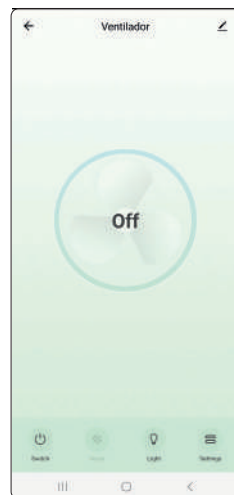
06

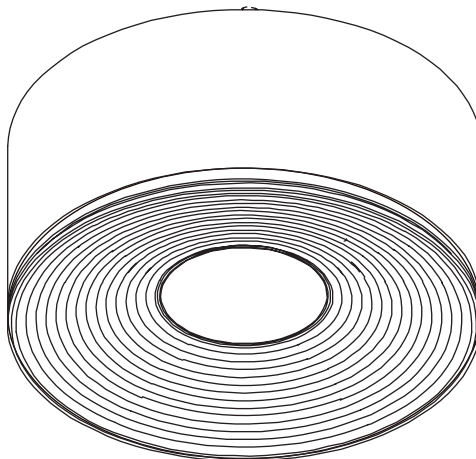


07



08





TEK

Ref. 3L011 LED 10W CRI90 2700K

WHITE **Ref. 3L013** LED 10W CRI90 3000K

Ref. 3L015 LED 10W CRI90 4000K

Ref. 3L012 LED 10W CRI90 2700K

BLACK **Ref. 3L014** LED 10W CRI90 3000K

Ref. 3L016 LED 10W CRI90 4000K

V
220-240~

Hz
50/60



🌐 ENGLISH

Congratulations on the purchase of your new Faro Barcelona fan that will provide you, design, quality and comfort for many years. We are proud of our work and appreciate the opportunity to provide one of the best ceiling fans available. It's time to start enjoying your Faro Barcelona ceiling fan!

🌐 ESPAÑOL

Felicidades por la compra de su nuevo ventilador Faro Barcelona que le proporcionará, diseño, calidad y confort durante muchos años. Estamos orgullosos de nuestro trabajo y apreciamos la oportunidad de suministrarle uno de los mejores ventiladores de techo disponibles. ¡Toca empezar a disfrutar de su ventilador de techo Faro Barcelona!

🌐 CATALÀ

Felicitats per la compra del seu nou ventilador Faro Barcelona que li proporcionarà, disseny, qualitat i confort durant molts anys. Estem orgullosos del nostre treball i apreciem l'oportunitat de subministrar-li un dels millors ventiladors de sostre disponibles. Comenci a gaudir del seu ventilador de sostre Faro Barcelona!

🌐 FRANÇAIS

Félicitations pour l'achat de votre nouveau ventilateur Faro Barcelona qui vous apportera design, qualité et confort pendant de nombreuses années. Nous sommes fiers de notre travail et apprécions l'opportunité de fournir l'un des meilleurs ventilateurs de plafond disponibles. Il est temps de commencer à profiter de votre ventilateur de plafond Faro Barcelona!

🌐 ITALIANO

Congratulazioni per aver acquistato un ventilatore Faro Barcelona che le garantirà design, qualità e comfort per molto tempo. Siamo orgogliosi del nostro lavoro e apprezziamo molto che ci abbia dato l'opportunità di fornirle uno dei migliori ventilatori da soffitto disponibili nel mercato. Cominci ad utilizzare il suo nuovo ventilatore da soffitto Faro Barcelona!

🌐 PORTUGÊS

Parabéns pela compra do seu novo ventilador de Faro Barcelona que lhe proporcionará design, qualidade e conforto por muitos anos. Estamos orgulhosos do nosso trabalho e apreciamos a oportunidade de fornecer um dos melhores ventiladores de teto disponíveis. É hora de começar a desfrutar do seu ventilador de teto Faro Barcelona!

🌐 DEUSTCH

Herzlichen Glückwunsch zum Kauf Ihres neuen Faro Barcelona Ventilators, der Ihnen Design, Qualität und Komfort für viele Jahre bieten wird. Wir sind stolz auf unsere Arbeit und schätzen die Möglichkeit, Ihnen einen der besten Deckenventilatoren zu liefern. Es ist an der Zeit, Ihren Faro Barcelona Deckenventilator zu genießen!

🌐 NEDERLANDS

Gefeliciteerd met de aankoop van uw nieuwe Faro Barcelona ventilator. Deze zal u kwaliteit en confort bieden voor vele jaren. Wij zijn trots op ons werk, en waarderen de mogelijkheid om u een van de beste beschikbare plafondventilatoren te leveren. Geniet van uw nieuwe Faro Barcelona plafondventilator!

🌐 ΕΛΛΗΝΙΚΗ

Συγχαρητήρια για την αγορά του νέου σας ανεμιστήρα Faro Barcelona που θα σας προσφέρει ντιζάιν, ποιότητα και άνεση για πολλά χρόνια. Είμαστε υπερήφανοι για την δουλειά μας και εκτιμούμε την ευκαιρία να σας προσφέρουμε έναν από τους καλύτερους ανεμιστήρες οροφής της αγοράς. Ήρθε η ώρα να απολαύσετε τον ανεμιστήρα οροφής Faro Barcelona!

🌐 РУССКИЙ

Поздравляем вас с приобретением вентилятора Faro Barcelona нового поколения, который будет радовать вас своим дизайном, качеством и комфортом в течение многих лет. Мы гордимся нашей работой и ценим возможность предоставить вам один из лучших потолочных вентиляторов. Пришло время начать наслаждаться потолочным вентилятором Faro Barcelona!

🌐 ČESKY

Gratulujeme vám k zakoupení vašeho nového ventilátoru Faro Barcelona, který vám poskytne design, kvalitu a komfort po mnoho let. Jsme hrdí na naši práci a vážíme si příležitosti poskytnout vám jeden z nejlepších stropních ventilátorů na trhu. Je načase začít si užívat váš stropní ventilátor Faro Barcelona!

🌐 POLSKI

Gratulujemy zakupu nowego wentylatora Faro Barcelona, który zapewni Ci design, jakość i komfort przez wiele lat. Jesteśmy dumni z naszej pracy i doceniamy możliwość zaoferowania jednego z najlepszych dostępnych wentylatorów sufitowych. Czas zacząć cieszyć się swoim wentylatorem Faro Barcelona!

🌐 БЪЛГАРСКИ

Поздравления за закупуването на новия вентилатор от Faro Barcelona, който ще ви осигури дизайн, качество и удобство в продължение на много години. Гордеем се с нашата продукция и оценяваме възможността да ви предоставим един от най-добрите таванни вентилатори. Време е да започнете да се наслаждавате на таванния вентилатор на Faro Barcelona!

🌐 SLOVENČINA

Blahoželáme k nákupu vášho nového ventilátora Faro Barcelona, ktorý vám poskytne dizajn, kvalitu a komfort po mnoho rokov. Sme hrdí na našu prácu a oceňujeme príležitosť poskytnúť jeden z najlepších stropných ventilátorov. Je čas začať si užívať váš stropný ventilátor Faro Barcelona!

🌐 العربية

تهانينا على شراء مروحة فارو برشلونة الجديدة التي ستوفر لك التصميم والجودة والراحة لسنوات عديدة. نحن فخورون بعملنا ونقدر الفرصة لتزويدك بأحد أفضل مراوح السقف المتاحة. لقد حان الوقت لبدء الاستمتاع بمروحة السقف فارو برشلونة.

🌐 ENGLISH

Together we take care of the planet. This is why we reduce paper consumption. Please refer to the safety, maintenance and warranty instructions at www.faro.es. If you cannot access it, call us at +34 937 723 965 or write to export@faro.es.

🌐 ESPAÑOL

Juntos cuidamos el planeta. Por eso reducimos el consumo de papel. Puedes consultar las instrucciones de seguridad, mantenimiento y garantía en www.faro.es. Si no puedes acceder, llámanos al +34 902 165 166 o escríbenos a faro@lorefar.com.

🌐 CATALÀ

Junts cuidem el planeta. Per això reduïm el consum de paper. Pots consultar les instruccions de seguretat, manteniment i garantia en www.faro.es. Si no hi pots accedir, telefona'ns al +34 902 165 166 o escriu-nos a faro@lorefar.com.

🌐 FRANÇAIS

Ensemble, nous prenons soin de la planète. C'est pourquoi nous réduisons la consommation de papier. Veuillez-vous référer aux instructions de sécurité, d'entretien et de garantie sur www.faro.es. Si vous ne pouvez pas y accéder, appelez-nous au +34 937 723 965 ou écrivez à export@faro.es.

🌐 ITALIANO

Insieme proteggiamo il pianeta. Questo è il motivo per il quale abbiamo ridotto il consumo di carta. Per favore, leggi le istruzioni sulla sicurezza, la manutenzione e la garanzia sul sito www.faro.es. Se non puoi accedere, chiamaci al +34 937 723 965 o scrivici a export@faro.es.

🌐 PORTUGÊS

Juntos cuidamos do planeta. É por este motivo que reduzimos o consumo de papel. Consulte as instruções de segurança, manutenção e garantia em www.faro.es. Se não conseguir aceder, ligue para +34 937 723 965 ou escreva para export@faro.es.

🌐 DEUSTCH

Gemeinsam sorgen wir uns um unseren Planeten. Deshalb reduzieren wir den Papierverbrauch. Bitte beachten Sie die Sicherheits-, Wartungs- und Garantiehinweise unter www.faro.es. Wenn Sie nicht darauf zugreifen können, rufen Sie uns unter +34 937 723 965 an oder schreiben Sie an export@faro.es.

🌐 NEDERLANDS

We dragen samen zorg voor onze planeet. Daarom verminderen wij het papiergebruik. Raadpleeg de veiligheids-, onderhouds- en garantiehandleiding op www.faro.es. Kan u ze niet raadplegen? Bel ons op +34 937 723 965 of schrijf ons op export@faro.es

🌐 ΕΛΛΗΝΙΚΗ

Μαζί φροντίζουμε τον πλανήτη. Για αυτόν τον λόγο μειώνουμε την κατανάλωση χαρτιού. Παρακαλούμε, ανατρέξτε στις οδηγίες ασφαλείας, συντήρησης και εγγύησης στην ιστοσελίδα www.faro.es. Αν δεν μπορείτε να αποκτήσετε πρόσβαση, τηλεφωνήστε μας στο +34 937 723 965 ή γράψτε μας στο export@faro.es.

🌐 РУССКИЙ

Вместе мы заботимся о планете. Вот почему мы сокращаем потребление бумаги. Пожалуйста, обратитесь к инструкциям по безопасности, техническому обслуживанию и гарантии на сайте www.faro.es. Если вы не можете получить к нему доступ, позвоните нам по телефону +34 937 723 965 или напишите на export@faro.es.

🌐 ČESKY

Společně pečujeme o planetu. Proto omezuje spotřebu papíru. Přečtěte si, prosím, pokyny týkající se bezpečnosti, údržby a záruky na www.faro.es. Pokud na stránku nemáte přístup, zavolejte nám na tel. +34 937 723 965 nebo napište na export@faro.es.

🌐 POLSKI

Razem dbamy o planetę. Dlatego zmniejszamy zużycie papieru. Proszę zapoznać się z instrukcjami bezpieczeństwa, konserwacji i gwarancji na www.faro.es. Jeśli nie możesz uzyskać do niego dostępu, zadzwoń do nas pod numer +34 937 723 965 lub napisz na adres export@faro.es.

🌐 БЪЛГАРСКИ

Заедно ние се грижим за планетата. Ето защо намаляваме консумацията на хартия. Моля, направете справка с инструкциите за безопасност, поддръжка и гаранция на www.faro.es. Ако нямате достъп до сайта, обадете ни се на +34 937 723 965 или пишете на export@faro.es.

🌐 SLOVENČINA

Spoločne sme sa postarat' o tejto planéte. To je dôvod, prečo sme znížili spotrebu papiera. Pozri pokyny k bezpečnosti, údržby a záruky na www.faro.es. Ak nemôžete pristupovať, zavolajte na telefónne číslo +34 937 723 965 alebo pište na export@faro.es.



ما نعتني بالكوكب.

هذا هو السبب في تقليل استهلاك الورق.

جى الرجوع إلى تعليمات السلامة

الصيانة والضمان على www.faro.es

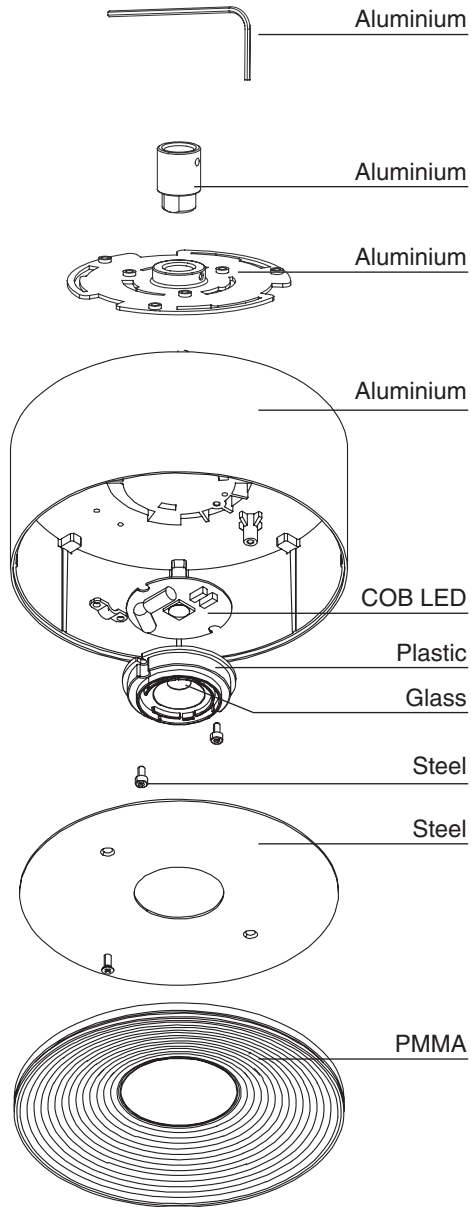
ا لم تتمكن من الولوج إليه، اتصل بنا

لى +34 937 723 965 أو اكتب رسالة

export@faro.es

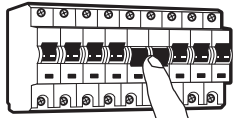


When the luminaire reaches its end of life, take it to the nearest clean point.
Recicle la luminaria en el punto verde cuando ésta llegue al final de su vida útil.



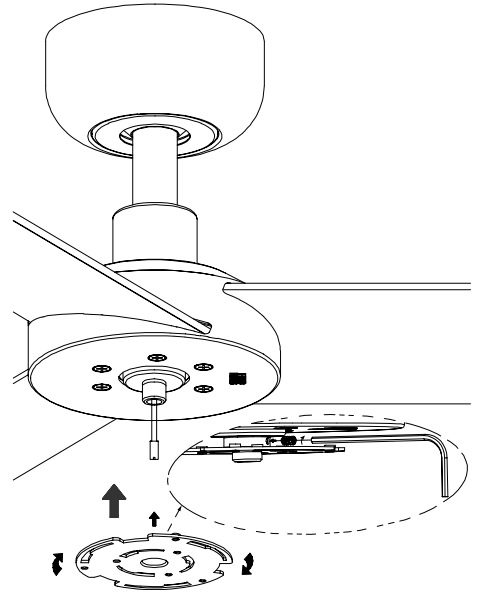
CRUISER, PUNT & RUDDER

01

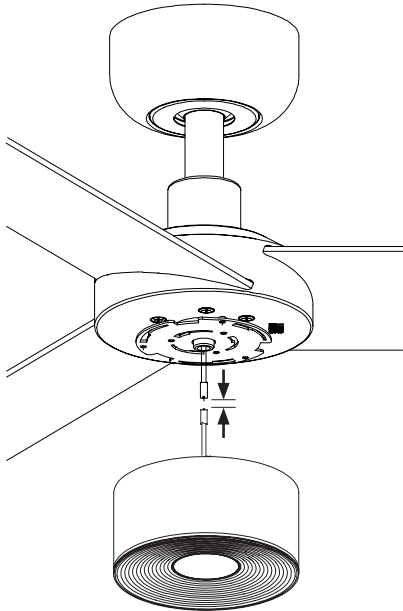


OFF

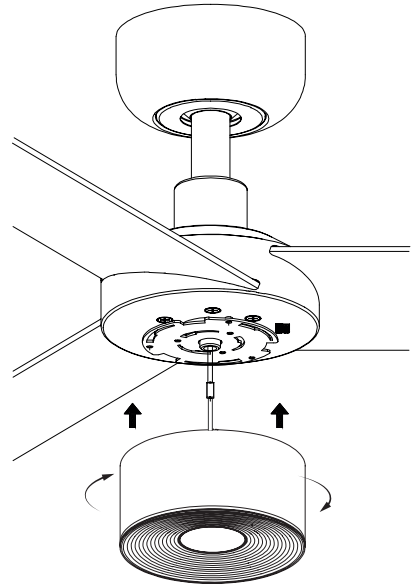
02



03



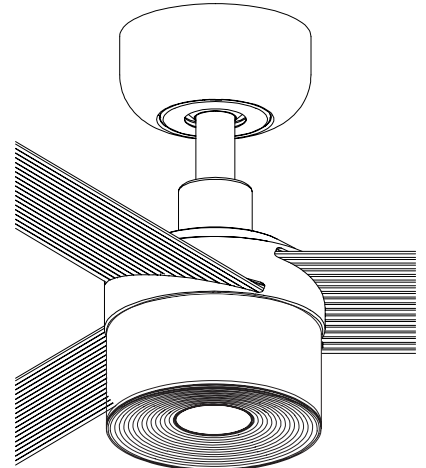
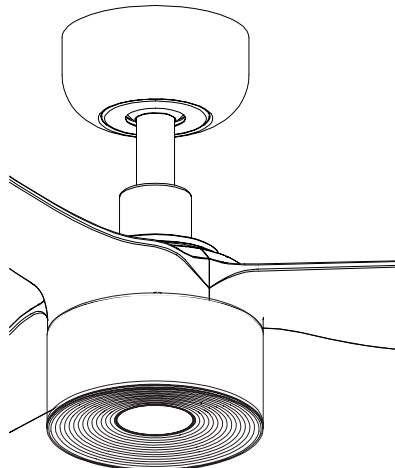
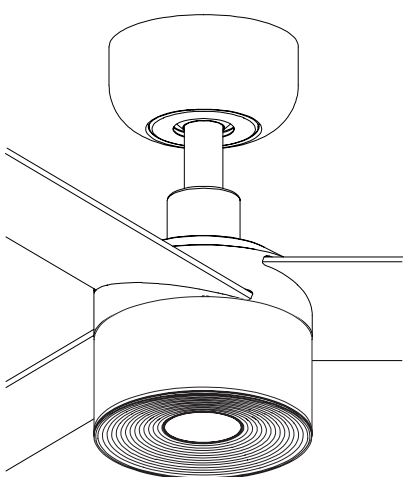
04



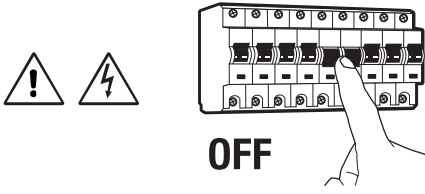
05



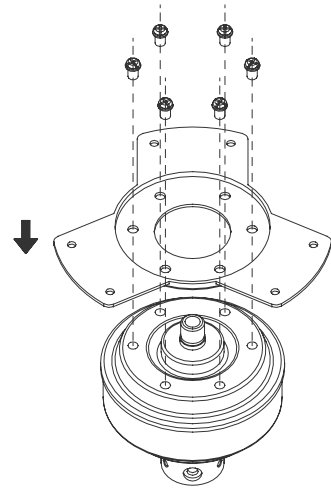
ON



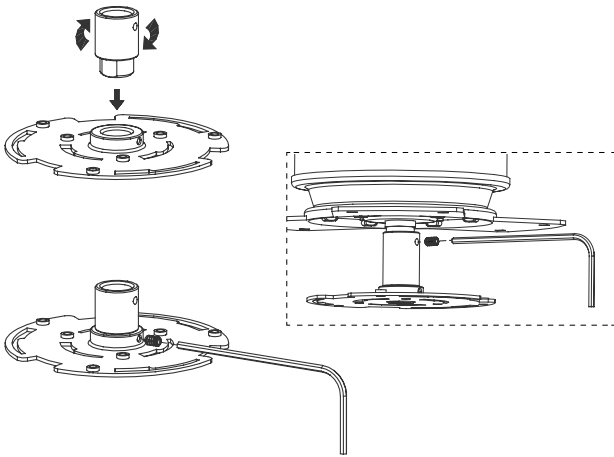
01



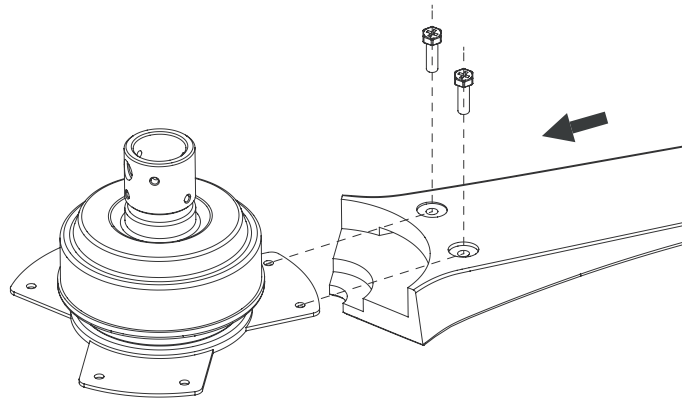
02



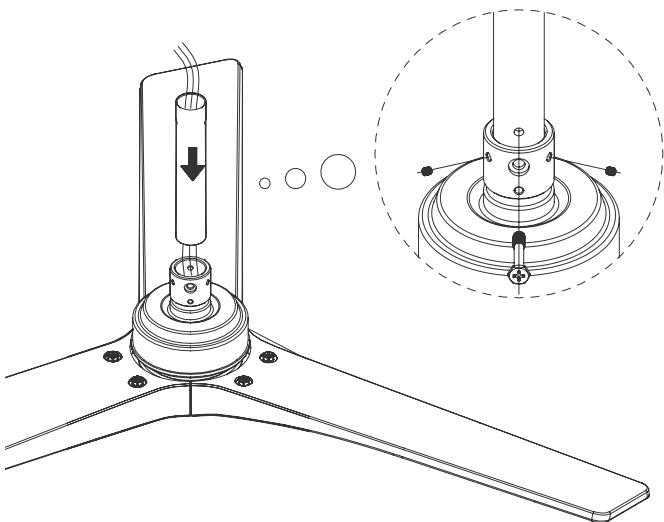
03



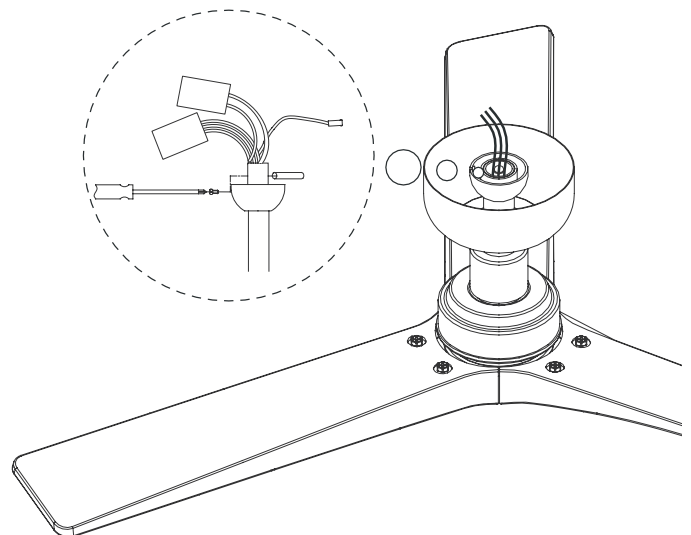
04



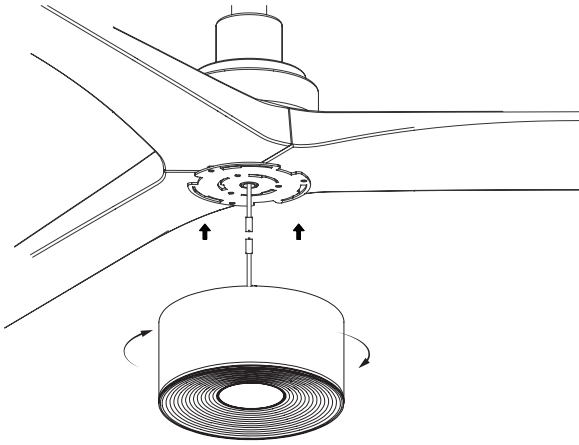
05



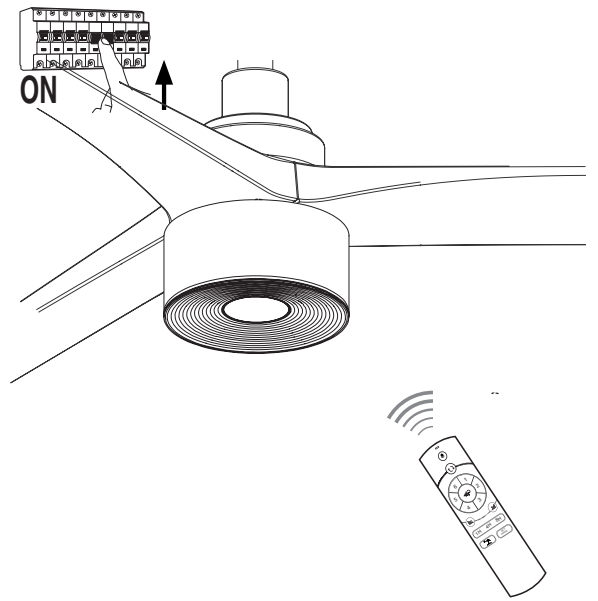
06



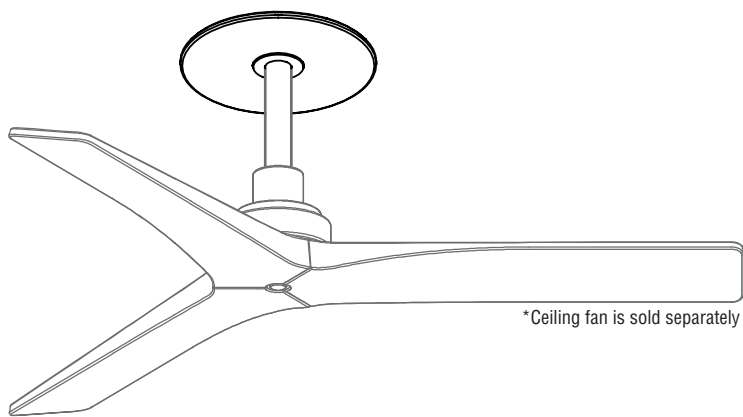
07



08







34305

Recessed mounting system for ceiling fan



Specifications
Especificaciones





Congratulations Felicidades

ENGLISH

Congratulations on the purchase of your new Faro Barcelona fan that will provide you, design, quality and comfort for many years. We are proud of our work and appreciate the opportunity to provide one of the best ceiling fans available. It's time to start enjoying your Faro Barcelona ceiling fan!

ESPAÑOL

Felicidades por la compra de su nuevo ventilador Faro Barcelona que le proporcionará, diseño, calidad y confort durante muchos años. Estamos orgullosos de nuestro trabajo y apreciamos la oportunidad de suministrarle uno de los mejores ventiladores de techo disponibles. ¡Toca empezar a disfrutar de su ventilador de techo Faro Barcelona!

CATALÀ

Felicitats per la compra del seu nou ventilador Faro Barcelona que li proporcionarà, disseny, qualitat i confort durant molts anys. Estem orgullosos del nostre treball i apreciem l'oportunitat de subministrar-li un dels millors ventiladors de sostre disponibles. Comenci a gaudir del seu ventilador de sostre Faro Barcelona!

FRANÇAIS

Félicitations pour l'achat de votre nouveau ventilateur Faro Barcelona qui vous apportera design, qualité et confort pendant de nombreuses années. Nous sommes fiers de notre travail et apprécions l'opportunité de fournir l'un des meilleurs ventilateurs de plafond disponibles. Il est temps de commencer à profiter de votre ventilateur de plafond Faro Barcelona!

ITALIANO

Congratulazioni per aver acquistato un ventilatore Faro Barcelona che le garantirà design, qualità e comfort per molto tempo. Siamo orgogliosi del nostro lavoro e apprezziamo molto che ci abbia dato l'opportunità di fornirle uno dei migliori ventilatori da soffitto disponibili nel mercato. Cominci ad utilizzare il suo nuovo ventilatore da soffitto Faro Barcelona!

PORTUGÊS

Parabéns pela compra do seu novo ventilador de Faro Barcelona que lhe proporcionará design, qualidade e conforto por muitos anos. Estamos orgulhosos do nosso trabalho e apreciamos a oportunidade de fornecer um dos melhores ventiladores de teto disponíveis. É hora de começar a desfrutar do seu ventilador de teto Faro Barcelona!

DEUTSCH

Herzlichen Glückwunsch zum Kauf Ihres neuen Faro Barcelona Ventilators, der Ihnen Design, Qualität und Komfort für viele Jahre bieten wird. Wir sind stolz auf unsere Arbeit und schätzen die Möglichkeit, Ihnen einen der besten Deckenventilatoren zu liefern. Es ist an der Zeit, Ihren Faro Barcelona Deckenventilator zu genießen!

NEDERLANDS

Gefeliciteerd met de aankoop van uw nieuwe Faro Barcelona ventilator. Deze zal u kwaliteit en confort bieden voor vele jaren. Wij zijn trots op ons werk, en waarderen de mogelijkheid om u een van de beste beschikbare plafondventilatoren te leveren. Geniet van uw nieuwe Faro Barcelona plafondventilator!

ΕΛΛΗΝΙΚΗ

Συγχαρητήρια για την αγορά του νέου σας ανεμιστήρα Faro Barcelona που θα σας προσφέρει ντιζάιν, ποιότητα και άνεση για πολλά χρόνια. Είμαστε υπερήφανοι για την δουλειά μας και εκτιμούμε την ευκαιρία να σας προσφέρουμε έναν από τους καλύτερους ανεμιστήρες οροφής της αγοράς. Ήρθε η ώρα να απολαύσετε τον ανεμιστήρα οροφής Faro Barcelona!

РУССКИЙ

Поздравляем вас с приобретением вентилятора Faro Barcelona нового поколения, который будет радовать вас своим дизайном, качеством и комфортом в течение многих лет. Мы гордимся нашей работой и ценим возможность предоставить вам один из лучших потолочных вентиляторов. Пришло время начать наслаждаться потолочным вентилятором Faro Barcelona!

ČESKY

Gratulujeme vám k zakoupení vašeho nového ventilátoru Faro Barcelona, který vám poskytne design, kvalitu a komfort po mnoho let. Jsme hrdí na naši práci a vážíme si příležitosti poskytnout vám jeden z nejlepších stropních ventilátorů na trhu. Je načase začít si užívat váš stropní ventilátor Faro Barcelona!

POLSKI

Gratulujemy zakupu nowego wentylatora Faro Barcelona, który zapewni Ci design, jakość i komfort przez wiele lat. Jesteśmy dumni z naszej pracy i doceniamy możliwość zaoferowania jednego z najlepszych dostępnych wentylatorów sufitowych. Czas zacząć cieszyć się swoim wentylatorem Faro Barcelona!

БЪЛГАРСКИ

Поздравления за закупуването на новия вентилатор от Faro Barcelona, който ще ви осигури дизайн, качество и удобство в продължение на много години. Гордеем се с нашата продукция и оценяваме възможността да ви предоставим един от най-добрите таванни вентилатори. Време е да започнете да се наслаждавате на таванния вентилатор на Faro Barcelona!

SLOVENČINA

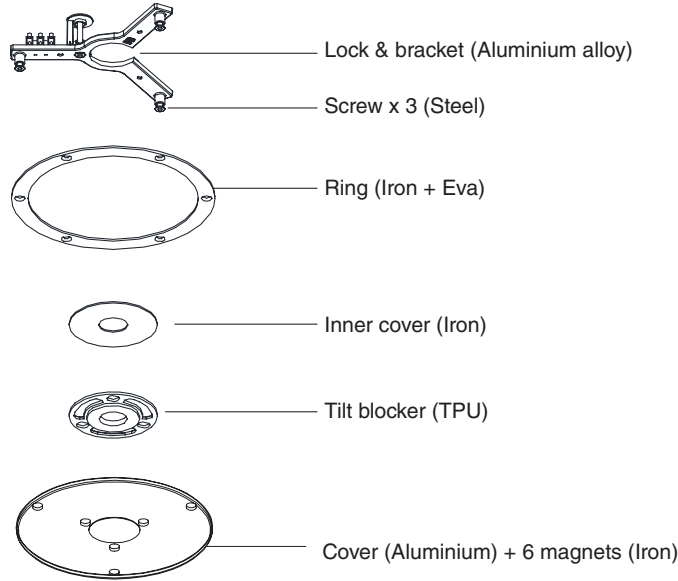
Blahoželáme k nákupu vášho nového ventilátora Faro Barcelona, ktorý vám poskytne dizajn, kvalitu a komfort po mnoho rokov. Sme hrdí na našu prácu a oceňujeme príležitosť poskytnúť jeden z najlepších stropných ventilátorov. Je čas začať si užívať váš stropný ventilátor Faro Barcelona!

العربية

تهانينا على شراء مروحة فارو برشلونة الجديدة التي ستوفر لك التصميم والجودة والراحة لسنوات عديدة. نحن فخورون بعملنا ونقدر الفرصة لتزويدك بأحد أفضل مراوح السقف المتاحة. لقد حان الوقت لبدء الاستمتاع بمروحة السقف فارو برشلونة.



When the luminaire reaches its end of life, take it to the nearest clean point.
Recicle la luminaria en el punto verde cuando ésta llegue al final de su vida útil.



ENGLISH : Together we take care of the planet. This is why we reduce paper consumption. Please refer to the safety, maintenance and warranty instructions at www.faro.es. If you cannot access it, call us at +34 937 723 965 or write to export@faro.es.

ESPAÑOL : Juntos cuidamos el planeta. Por eso reducimos el consumo de papel. Puedes consultar las instrucciones de seguridad, mantenimiento y garantía en www.faro.es. Si no puedes acceder, llámanos al +34 902 165 166 o escríbenos a faro@lorefar.com.

CATALÀ : Junts cuidem el planeta. Per això reduïm el consum de paper. Pots consultar les instruccions de seguretat, manteniment i garantia en www.faro.es. Si no hi pots accedir, telefona'ns al +34 902 165 166 o escriu-nos a faro@lorefar.com.

FRANÇAIS : Ensemble, nous prenons soin de la planète. C'est pourquoi nous réduisons la consommation de papier. Veuillez-vous référer aux instructions de sécurité, d'entretien et de garantie sur www.faro.es. Si vous ne pouvez pas y accéder, appelez-nous au +34 937 723 965 ou écrivez à export@faro.es.

ITALIANO : Insieme proteggiamo il pianeta. Questo è il motivo per il quale abbiamo ridotto il consumo di carta. Per favore, leggi le istruzioni sulla sicurezza, la manutenzione e la garanzia sul sito www.faro.es. Se non puoi accedere, chiamaci al +34 937 723 965 o scrivici a export@faro.es.

PORTUGÊS : Juntos cuidamos do planeta. É por este motivo que reduzimos o consumo de papel. Consulte as instruções de segurança, manutenção e garantia em www.faro.es. Se não conseguir aceder, ligue para +34 937 723 965 ou escreva para export@faro.es.

DEUTSCH : Gemeinsam sorgen wir uns um unseren Planeten. Deshalb reduzieren wir den Papierverbrauch. Bitte beachten Sie die Sicherheits-, Wartungs- und Garantiehinweise unter www.faro.es. Wenn Sie nicht darauf zugreifen können, rufen Sie uns unter +34 937 723 965 an oder schreiben Sie an export@faro.es.

NEDERLANDS : We dragen samen zorg voor onze planeet. Daarom verminderen wij het papiergebruik. Raadpleeg de veiligheids-, onderhouds- en garantiehandleiding op www.faro.es. Kan u ze niet raadplegen? Bel ons op +34 937 723 965 of schrijf ons op export@faro.es

ΕΛΛΗΝΙΚΗ : Μαζί φροντίζουμε τον πλανήτη. Για αυτόν τον λόγο μειώνουμε την κατανάλωση χαρτιού. Παρακαλούμε, ανατρέξτε στις οδηγίες ασφαλείας, συντήρησης και εγγύησης στην ιστοσελίδα www.faro.es. Αν δεν μπορείτε να αποκτήσετε πρόσβαση, τηλεφωνήστε μας στο +34 937 723 965 ή γράψτε μας στο export@faro.es.

РУССКИЙ : Вместе мы заботимся о планете. Вот почему мы сокращаем потребление бумаги. Пожалуйста, обратитесь к инструкциям по безопасности, техническому обслуживанию и гарантии на сайте www.faro.es. Если вы не можете получить к нему доступ, позвоните нам по телефону +34 937 723 965 или напишите на export@faro.es.

ČESKY : Společně pečujeme o planetu. Proto omezujeme spotřebu papíru. Přečtěte si, prosím, pokyny týkající se bezpečnosti, údržby a záruky na www.faro.es. Pokud na stránky nemáte přístup, zavolejte nám na tel. +34 937 723 965 nebo napište na export@faro.es.

POLSKI : Razem dbamy o planetę. Dlatego zmniejszamy zużycie papieru. Proszę zapoznać się z instrukcjami bezpieczeństwa, konserwacji i gwarancji na www.faro.es. Jeżeli nie możesz uzyskać do niego dostępu, zadzwoń do nas pod numer +34 937 723 965 lub napisz na adres export@faro.es.

БЪЛГАРСКИ : Заедно ние се грижим за планетата. Ето защо намаляваме консумацията на хартия. Моля, направете справка с инструкциите за безопасност, поддръжка и гаранция на www.faro.es. Ако нямате достъп до сайта, обадете ни се на +34 937 723 965 или пишете на export@faro.es.

SLOVENČINA : Spoločne sme sa postarati o tejto planete. To je dôvod, prečo sme znížili spotrebu papiera. Pozri pokyny k bezpečnosti, údržby a záruky na www.faro.es. Ak nemôžete pristupovať, zavolajte na telefónne číslo +34 937 723 965 alebo píšete n export@faro.es.



معا نعتني بالكوكب.

هذا هو السبب في تقليل استهلاك الورق.
يرجى الرجوع إلى تعليمات السلامة
والصيانة والضمان على www.faro.es
إذا لم تتمكن من الوصول إليه، اتصل بنا
على +34 937 723 965 أو اكتب رسالة

إلى export@faro.es
FARO BARCELONA



Important Importante

🌐 ENGLISH

The manuals contain the complete instructions for installing and operating with your fan safely. Remember to tighten all screws firmly and make all connections correctly

🌐 ESPAÑOL

El manual de contiene las instrucciones completas para instalar y operar con su ventilador de forma segura.
Recuerde apretar firmemente todos los tornillos y hacer todas las conexiones correctamente.

🌐 CATALÀ

Els manuals contenen les instruccions completes per instal·lar i operar amb el seu ventilador de forma segura.
Recordi estrènyer fermament tots els cargols i fer totes les connexions correctament.

🌐 FRANÇAIS

Le manuel d'utilisation contient les instructions complètes pour installer et utiliser votre ventilateur en toute sécurité.
N'oubliez pas de serrer toutes les vis fermement et de faire toutes les connexions correctement

🌐 ITALIANO

Il manuale operativo contiene le istruzioni complete per installare ed utilizzare il suo ventilatore in totale sicurezza.
Ricordi di avvitare bene tutti i bulloni e realizzare tutte le connessioni nella maniera corretta.

🌐 PORTUGÊS

O manual de operação contém as instruções completas para instalação e operação com o seu ventilador com segurança. Lembre-se de apertar firmemente todos os parafusos e fazer todas as conexões corretamente.

🌐 DEUSTCH

Die Betriebsanleitung enthält vollständige Anweisungen für die sichere Installation und den sicheren Betrieb Ihres Ventilators. Denken Sie daran, alle Schrauben fest anzuziehen und alle Verbindungen korrekt herzustellen.

🌐 NEDERLANDS

De gebruikshandleiding bevat de volledige instructies voor de installatie en de veilige bediening van uw ventilator.
Vergeet niet om alle schroeven stevig vast te draaien, en alle verbinding correct aan te sluiten.

🌐 ΕΛΛΗΝΙΚΗ

Το εγχειρίδιο λειτουργίας περιέχει τις πλήρεις οδηγίες για την εγκατάσταση και λειτουργία με τον ανεμιστήρα σας με ασφάλεια.
Θυμηθείτε να σφίξετε καλά όλες τις βίδες και να κάνετε σωστά όλη τη συνδεσμολογία.

🌐 РУССКИЙ

Руководство по эксплуатации содержит полные инструкции по установке и безопасному использованию вашего вентилятора.
Не забудьте крепко затянуть все винты и правильно установить все соединения.

🌐 ČESKY

Provozní příručka obsahuje kompletní pokyny pro instalaci a bezpečný provoz vašeho ventilátoru.
Nezapomeňte pevně dotáhnout všechny šrouby a vše správně připojit!

🌐 POLSKI

Instrukcja obsługi zawiera kompletnie wskazówki dotyczące bezpiecznego instalowania i obsługi wentylatora.
Pamiętaj, aby mocno dokręcić wszystkie śruby i prawidłowo wykonać wszystkie połączenia!

🌐 БЪЛГАРСКИ

Ръководството за експлоатация съдържа пълните инструкции за безопасно монтиране и работа с вашия вентилатор.
Не забравяйте да затегнете здраво всички винтове и да свържете правилно всички връзки.

🌐 SLOVENČINA

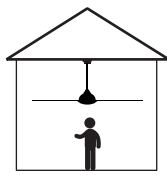
Návod na obsluhu obsahuje úplné pokyny na inštaláciu a bezpečnú prevádzku s ventilátorom.
Nezabudnite pevne utiahnuť všetky skrutky a urobiť všetky pripojenia správne.



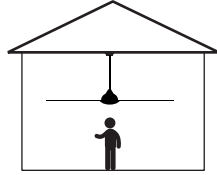
يحتوي الدليل على التعليمات الكاملة لتثبيت المروحة وتشغيلها بأمان. تذكر أن تشد بقوة جميع البراغي والقيام بجميع التوصيلات بشكل صحيح.

Warnings
Precauciones

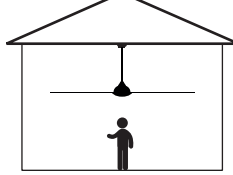
Locations



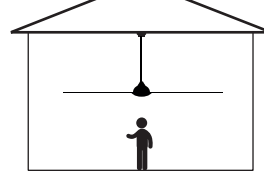
<13m²
≤Ø107cm



13-17m²
Ø107-132cm

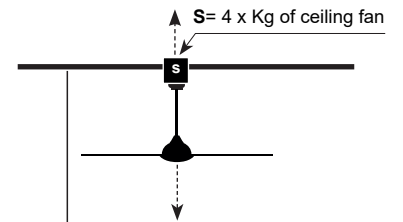
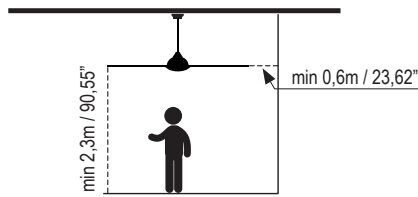
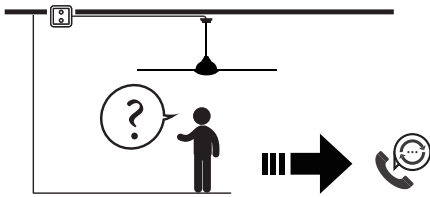


17-28m²
Ø132-165cm

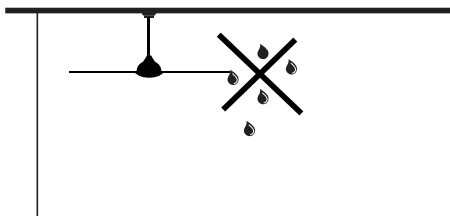
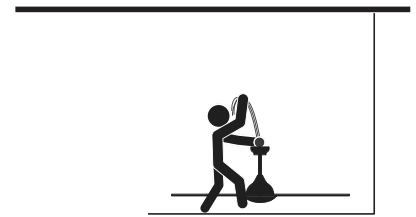
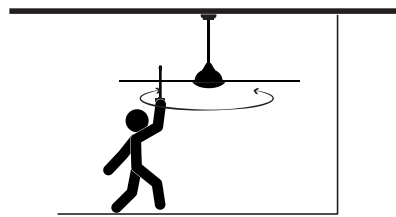
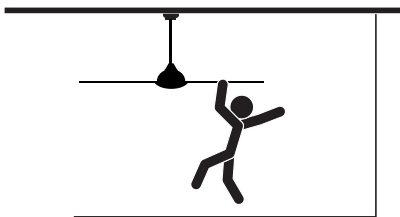


>28m²
≤Ø165cm

Security



The support must support at least 4 times the weight of the fan.
El soporte debe aguantar como mínimo 4 veces el peso del ventilador.



+ info

www.faro.es
faro@lorefar.com

+34 918 315 425
+34 937723965
902 165 166

Calle Dinámica Nº1,
Pol. Ind. Santa Rita
08755 Castellbisbal, Barcelona, Spain

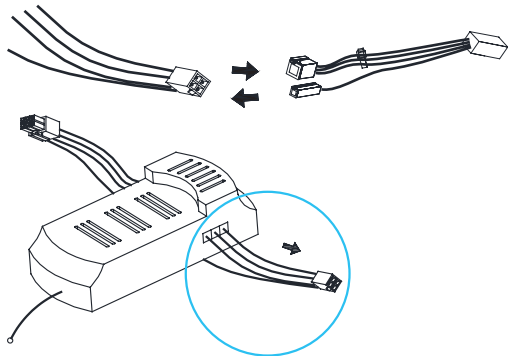


IMPORTANT

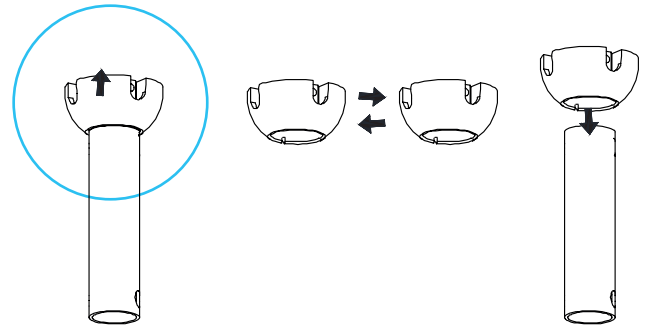
Before starting the assembly replace these 2 included parts **only for these ceiling fans** :

| | | |
|--------------|---------------|---------|
| Lantau L | Lantau XL Led | Hvar |
| Lantau L Led | Mini Lantau S | Morea |
| Lantau XL | Gotland | Polaris |

1- Replace the included connector



2- Replace included the hanger ball

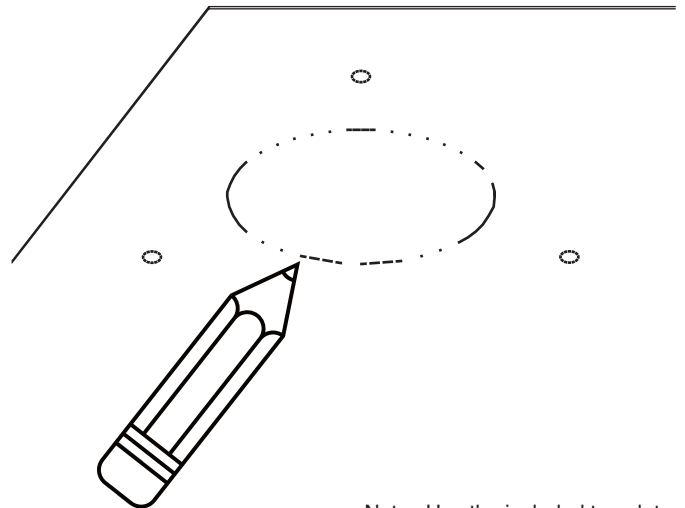


ASSEMBLY

01

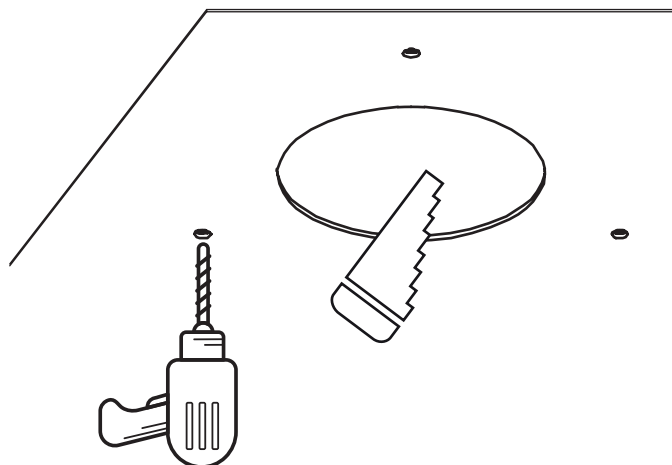


02

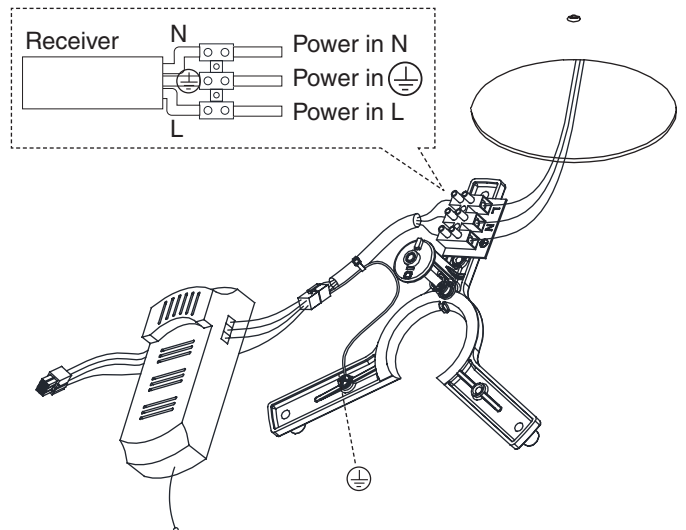


Note : Use the included template.

03

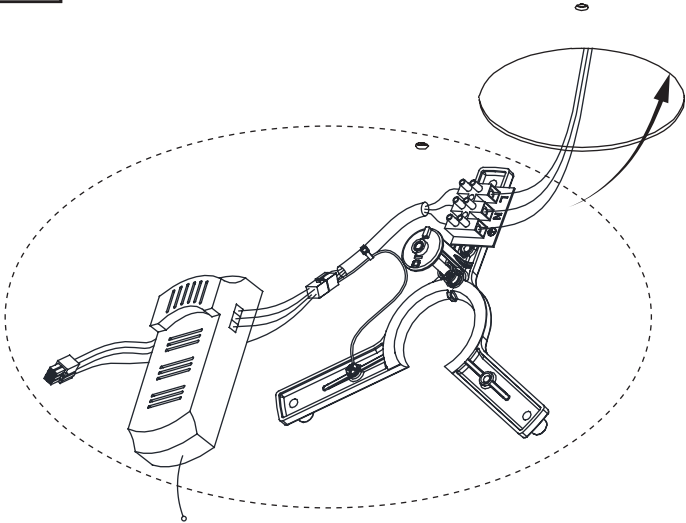


04

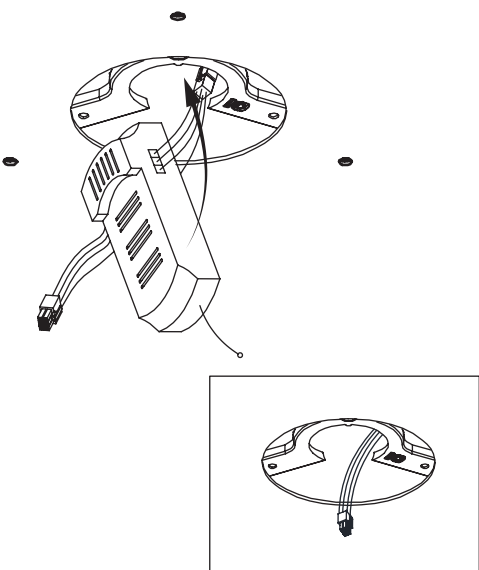


ASSEMBLY PUNT

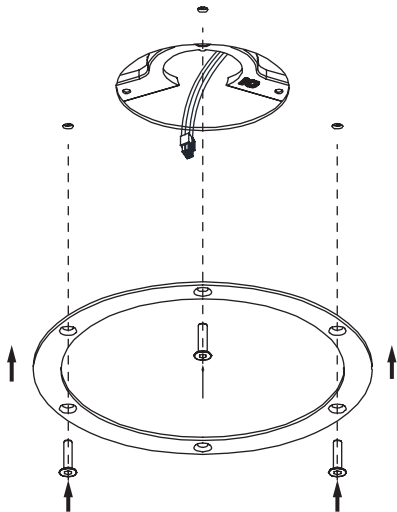
05



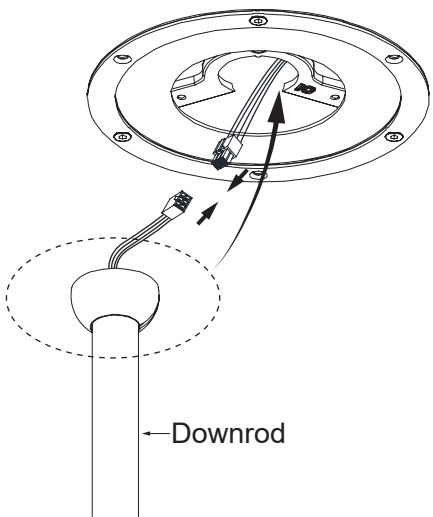
06



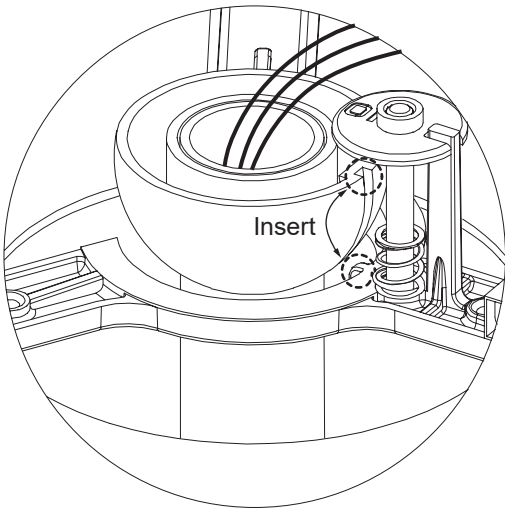
07



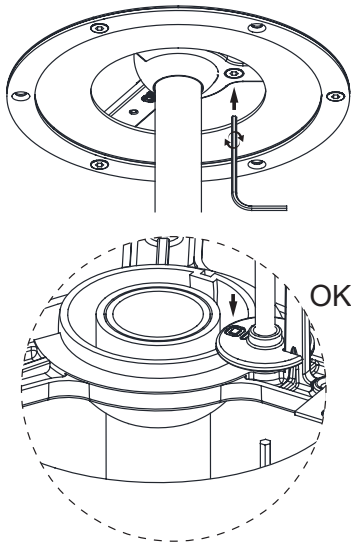
08



09

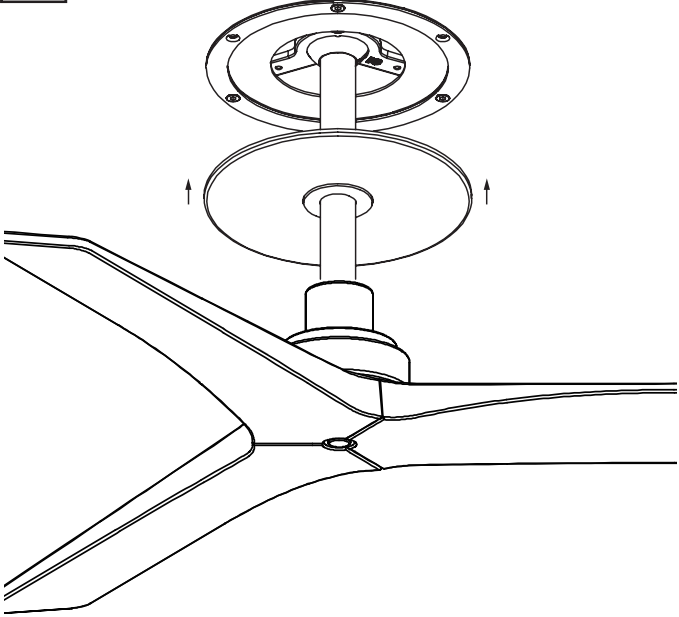


10

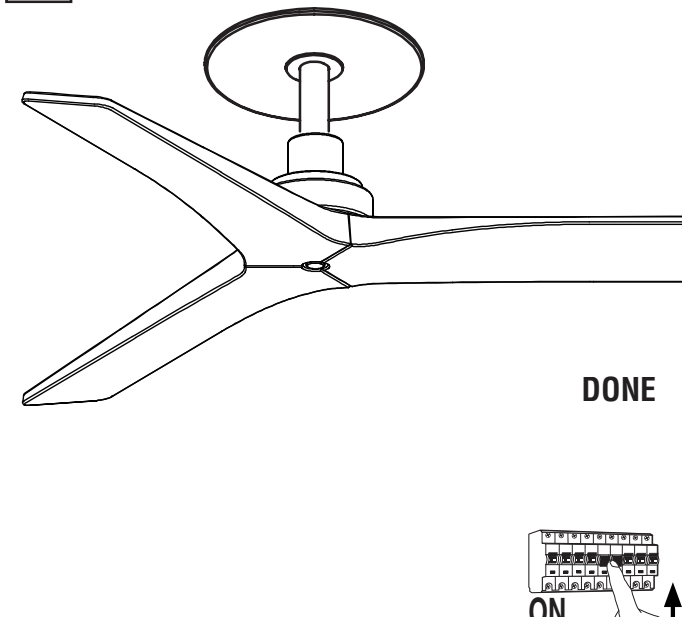


ASSEMBLY PUNT

11

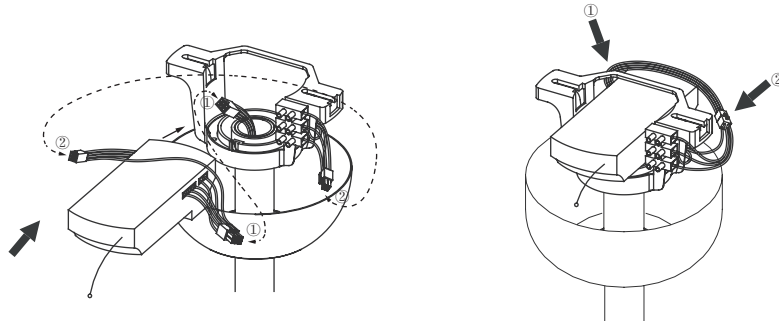


12

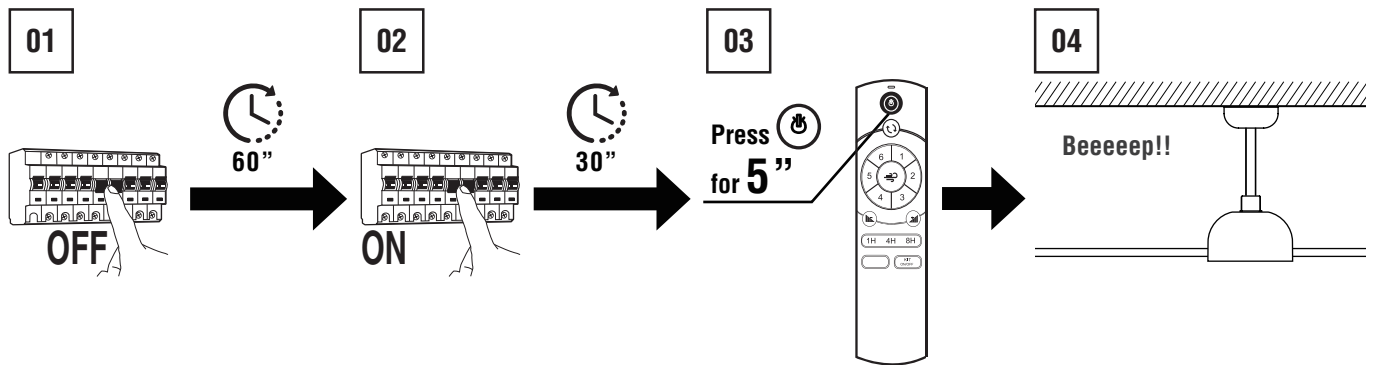




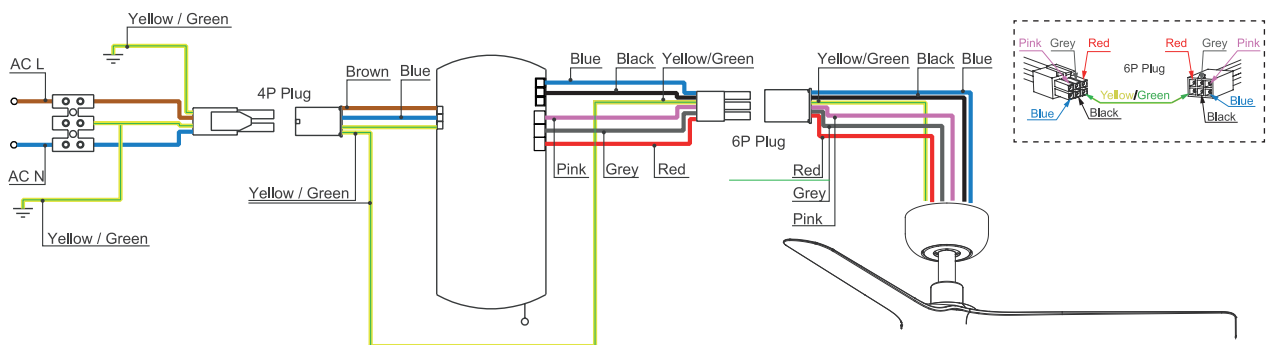
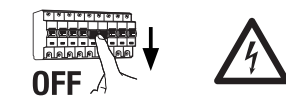
ASSEMBLY



PAIRING



CONNECTIONS



L
marrón, marró, brown, marron, marrone, castanho, braun, bruin, кафё, коричневый, hnědá, brązowy, кафяв, hnedý

بينى

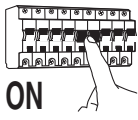
N
azul, blau, blue, bleu, blu, azul, blau, blauw, μπλε, синий, modrá, niebieski, син, modrý

ازرق

amarillo-verde, groc-verd, yellow-green, jaune-vert, giallo-verde, verde-amarelo, gelb-grün, gell-groen, κίτρινο-πράσινο, желто-зеленый, žlutozelená, żółto-zielony, жълто-зелен, žltozelená

أصفر - أخضر

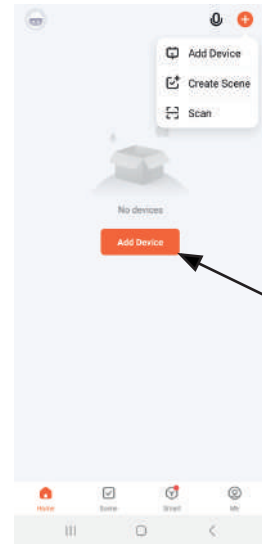
1



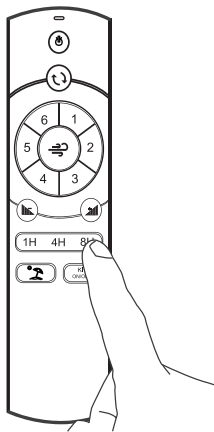
DOWNLOAD



2

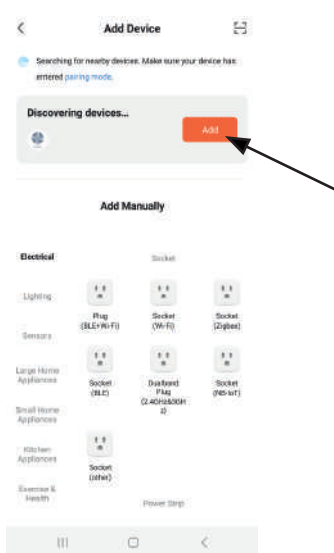


3



8sec bip bip bip

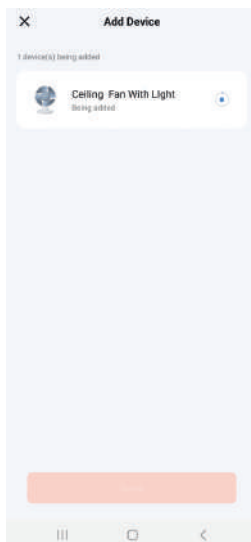
4



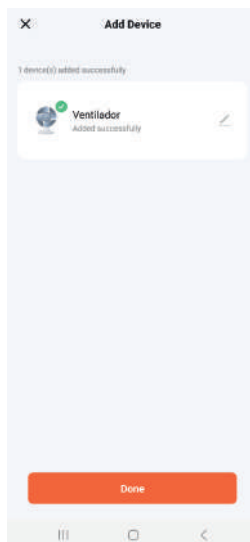
5



6



7



8

