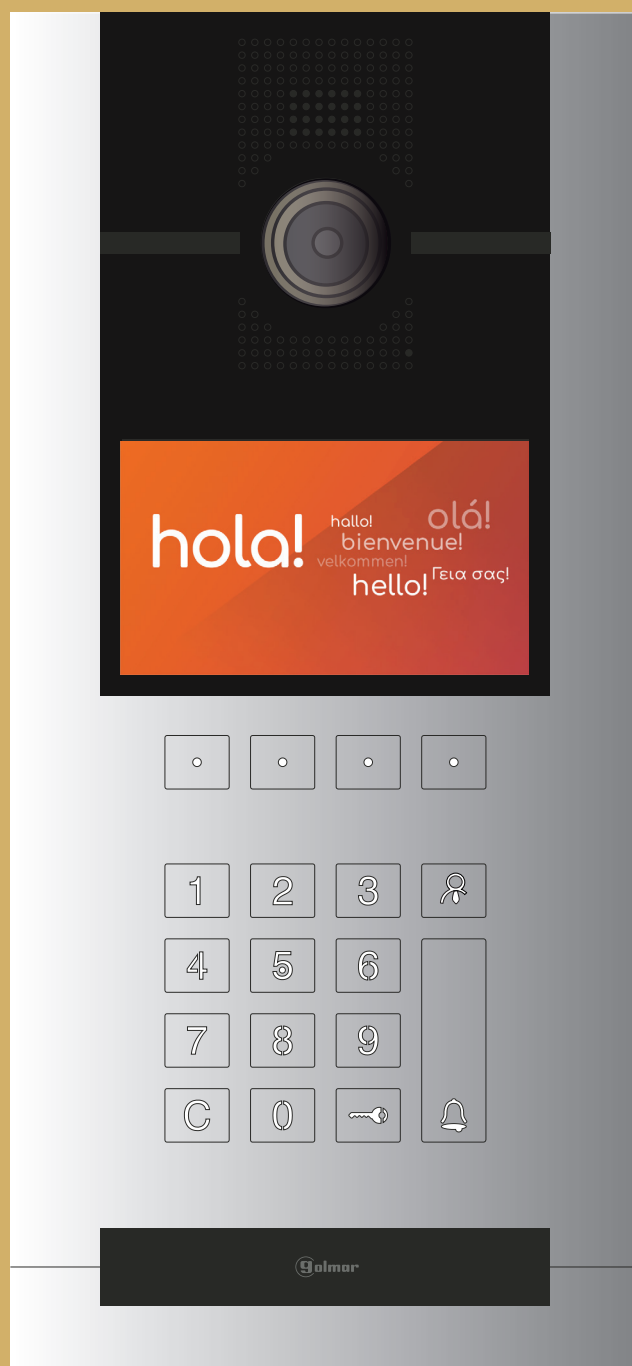


G2+

6502/G2+

12226502
12226512

INSTALLER MANUAL



Golmar

6502/G2+ V01 REV.0123 | ENGLISH

INDEX

1. Safety cautions.....	3
2. Specifications.....	3
3. Panel description.....	3
4. Initial configuration	4
5. Access control and lock settings	5
5.1. Modify access code	5
5.2. Manage access cards.....	6
6. Additional settings.....	7
6.1. Display settings.....	7
6.2. Video settings.....	8
6.3. Audio settings.....	8
6.4. Special calling methods settings.....	8
7. Modify settings access password	9
8. About.....	9
9. Initial configuration through the web client.....	10
9.1. Settings.....	11
9.2. Name list	12
9.3. Access cards	13
9.4. Log events	13
9.5. About.....	14
10. Installation diagrams	14
10.1. Distributed audio installation	14
10.2. Daisy-chain audio installation.....	15
10.3. Distributed video installation	15
10.4. Distributed mixed installation	16
10.5. Daisy-chain video installation without distributors	16
10.6. Video installation in risers with distributors.....	17
10.7. Video installation in risers with monitors in daisy-chain connection mode	17
10.8. Single lock release connection	18
10.9. Double lock release connection	18
10.10. 4 door panels connection.....	19
10.11. Additional analog CCTV camera connection	19

1. SAFETY CAUTIONS

The installation and setup of this equipment must be done by an authorized installer.

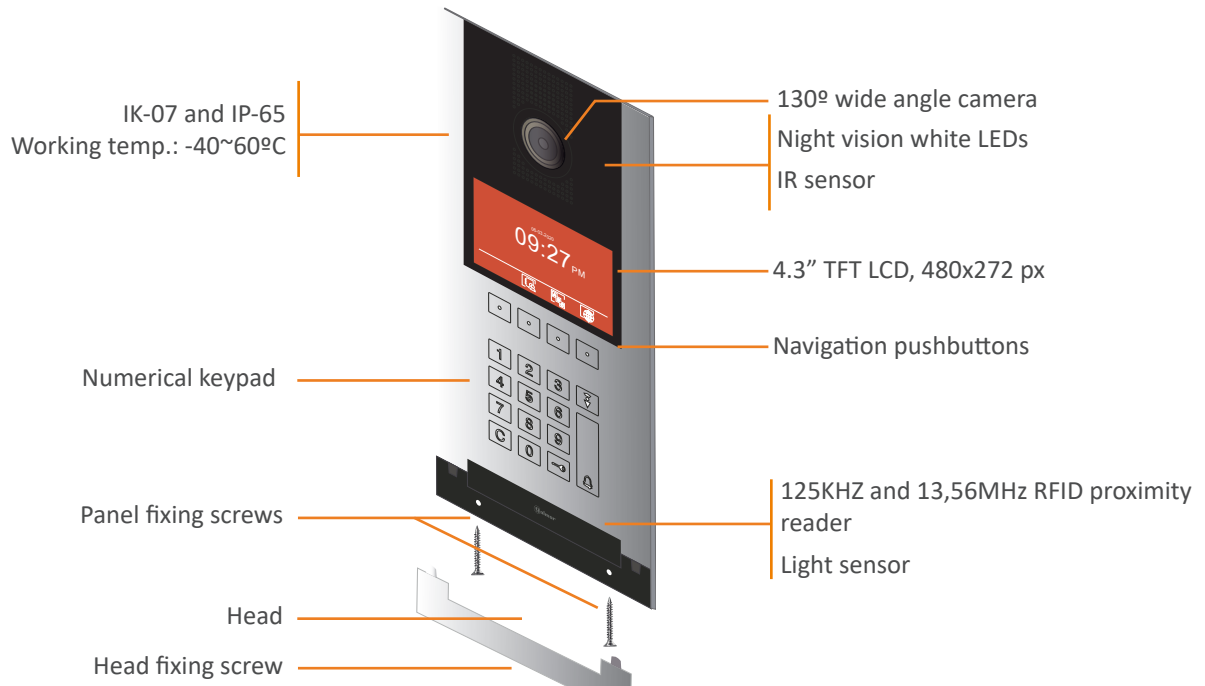
- The current regulations oblige to protect the power supply by means of a thermal magnetic circuit breaker.
- All the installation conduits must distance at least 40 cm from any other installation.
- In regards of the power supply FA-G2+:
 - Do not tight with excessive strength the screws of the terminal block at FA-G+ power supply.
 - Install the power supply in a dry and secure area, protected against water drops.
 - Avoid placing the power supply close to heating sources, humid or dusty areas.
 - Do not cover the power supply ventilation openings area to assure air flow circulation.
 - To prevent damages, the power supply has to be strongly mounted. Use a DIN rail 46277 (8 DIN) to fix it.
 - To avoid an Electrical shock, do not remove the protection cover and do not manipulate the cables connected to the power terminals.

2. SPECIFICATIONS

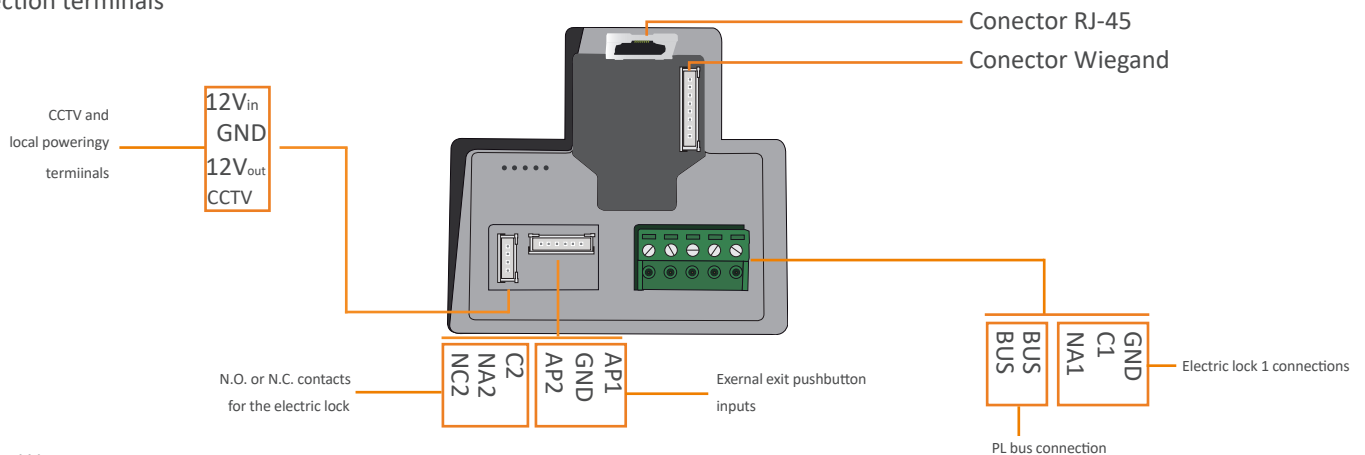
- 2 wires video intercom system.
- It is recommended to make the installation in a wired structure through 1mm of section, low capacity and free-halogens RAP-GTWIN/HF wire.
- Up to 32 buildings for each installation.
- Up to 4 general door panels for each installation and 4 door panels for each building.
- Up to 128 apartments for each building, with the possibility to install up to 4 indoor units in each of them.
- Possibility to install a general guard unit for installation or one for each building.
- Up to 16 IP ONVIF cameras for each building with the DQ-IPCAM/G2+ module.

3. PANEL DESCRIPTION

- Front side



- Connection terminals




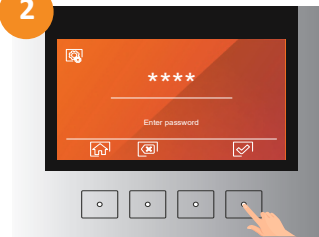
(*) Tamper alarm contact near to the connection terminals.





4. INITIAL CONFIGURATION


To configure a panel as a block panel, do the following steps:

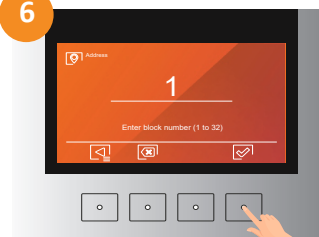
- 


1 Access to the configuration by pressing 5 times in the indicated pushbutton.
- 


2 (*)Enter the installer code **2718** through the keypad and validate it.
- 

3 Press the "Door panel" option from the settings menu (1/4).
- 

4 Choose the "Address" option of the door panel settings (1/5).
- 

5 Choose the **Block** mode with the arrows and validate the selection.
- 

6 Enter, through the keypad, the block number "1" and press over the validate option.
- 

7 Enter through the numeric keypad the **panel number "1"** and press validate.
- 

8 Choose the automatic IP assignment. In this way, the door panel will take the **192.168.100.101** IP address.

If it is necessary to use another IP address on the panel, it can be set in a manual way. To do that, you must follow the before described steps but, in the step 8 you must choose the **Manual** mode, and then follow the steps described below:

- 


9 Enter the desired IP address for the door panel and press validate.
- 

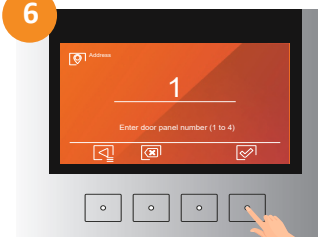
10 Enter the subnet mask of the door panel and press validate.
- 

11 Enter the Gateway address and press validate.

Once all the previous steps are done, a confirmation screen will appear.

In systems with general panels, these must be programmed in the same way as described before but, in the step number 5 the "**General**" option must be chosen.

- 

5 Choose the **General** mode with the arrows and validate the election.
- 

6 Enter through the numerical keypad the number of **general panel** and press validate

You must finish the configuration process in the same way as if it was a block panel.

(*) It is recommended to change the installer code that is mentioned in this manual.

5. ACCESS CONTROL AND LOCK SETTINGS

From the “Access” menu is possible to modify the settings and access codes as well as add or delete access cards for users or administrators. Below, appears how to adjust the two built-in door lock relays in the 6502/G2+ door panel:



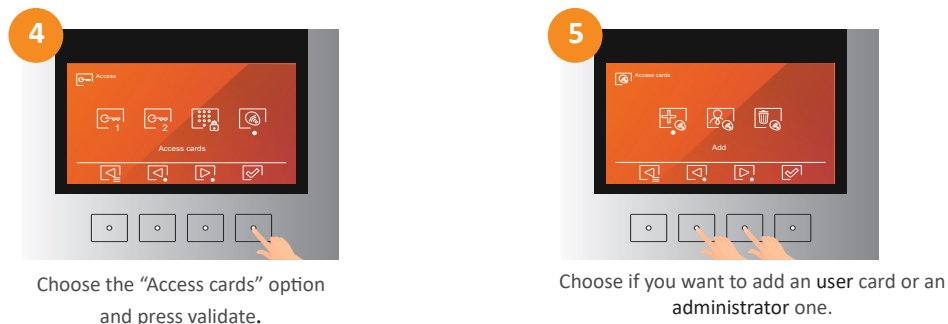
You must do the same procedure to modify the door lock 2 parameters. Only, you must choose the “Lock 2” option in the step 4.

5.1. Modify access codes



5.2. Manage access cards

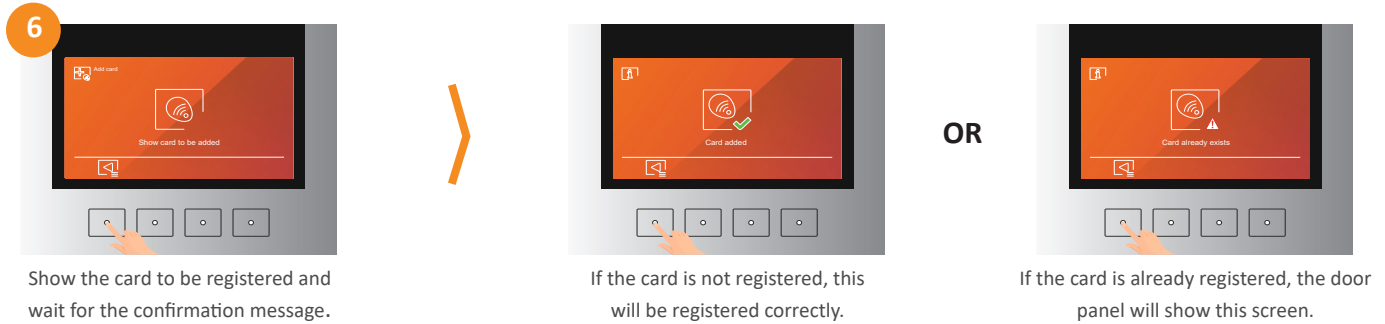
For registering the access cards to the building or delete the cards already registered, do the following steps:



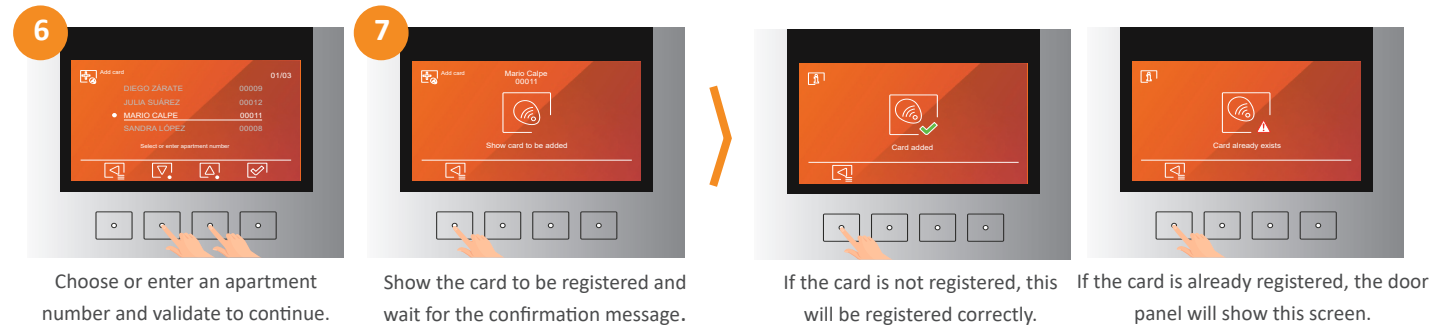
You can register a total of 2000 access cards or fobs and assign them as user or administrator cards. In case of existing an addressbook, the user access cards will be assigned to the apartment, being able to register up to 5 cards for each apartment, while the administrator access cards don't belong to any system address.

If you want to add access cards for users, you must choose the “Add card” option. The next screen in appear will depend on whether or no there is a created addressbook in the 6502/G2+ door panel. Below, is explained how will be the procedure to follow in both cases:

- There is not an addressbook

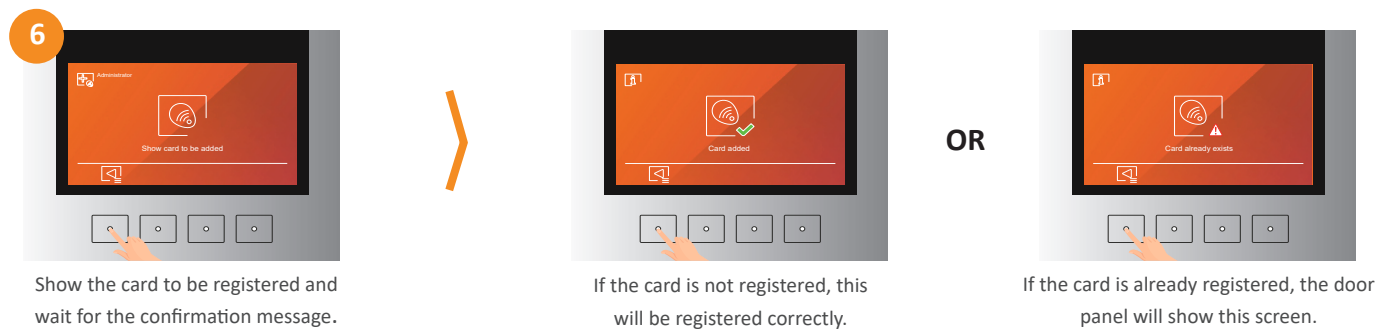


- There is an addressbook



Adding administrator access cards

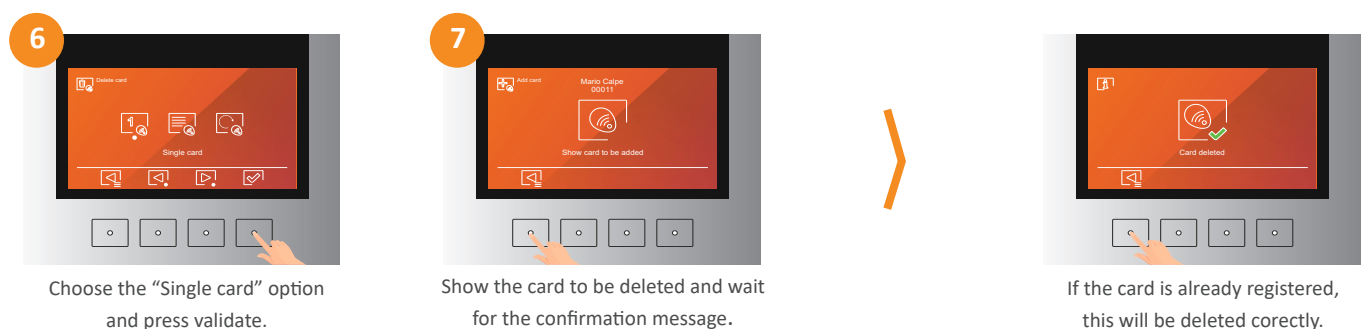
If you want to add access cards for administrators, as can be the block guard or the community administrator, you must choose the “Administrator” option and follow the same steps as in the case of adding user access cards. The administrator cards are not assigned to any apartment.



- Deleting access cards

If you want to delete the registered access cards in the door panel, you must choose, in the step 5, the “Delete card” option. The door panel will give you the option of delete a single card, delete all the cards in an apartment or delete the whole number of registered cards in the door panel. Below, is shown how to do any of the different options:

To delete a single access card from the 6502/G2+ door panel you must do the following steps:



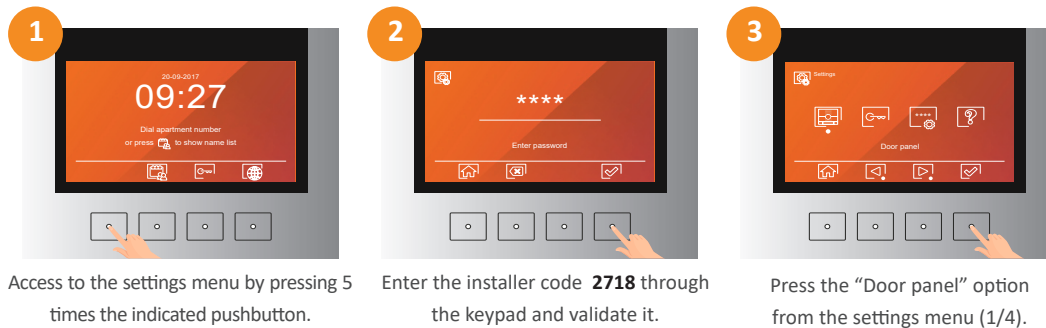
In case of existing an addressbook, to delete all the cards registered in an apartment, you must do the following steps:



6. ADDITIONAL SETTINGS

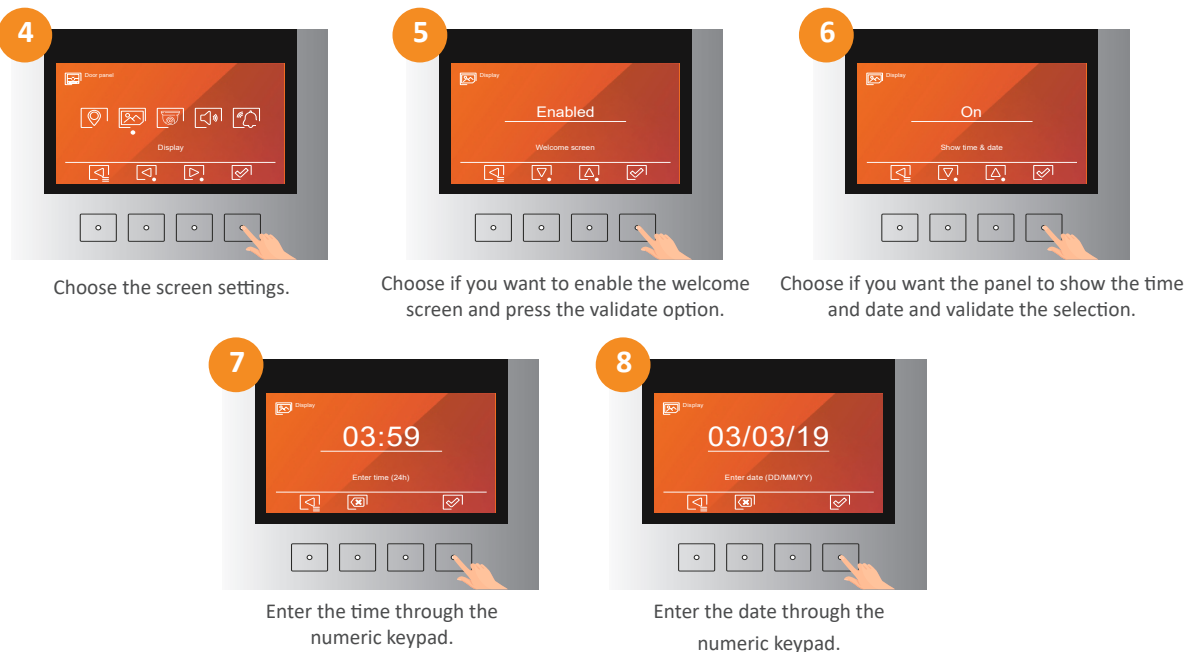
Below, is shown how to modify other parameters related to the screen, the video, and the audio of the 6502/G2+ door panel, as well as the steps to follow to enable the special call methods.

To do these modifications, choose the “Door panel” option in the settings menu:



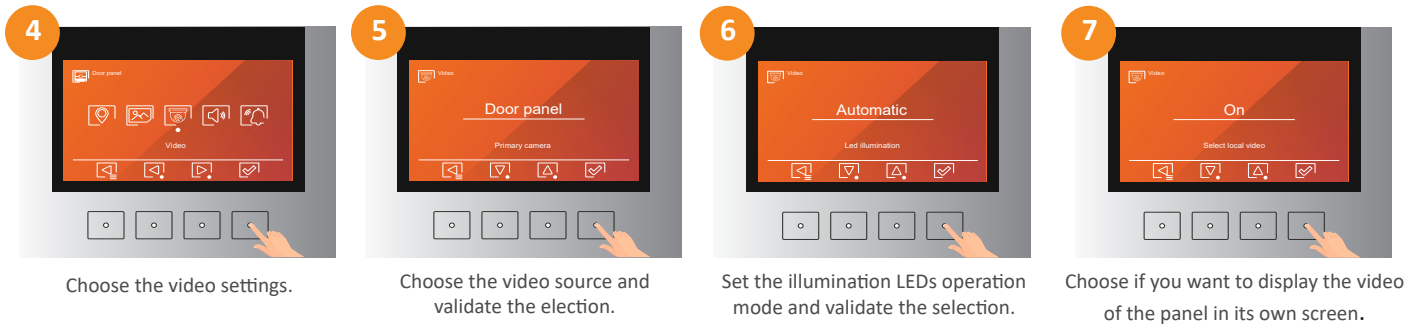
6.1. Display settings

In the screen settings section, it is possible to enable or disable the welcome screen that the door panel shows when it gets enabled from the idle. In the same way, it is possible to show or hide the time and date on the screen and modify these parameters in case that the panel is displaying them.



6.2. Video settings

From the video settings section is possible to choose whether the sent video to the monitors in a call process, or a preview process comes from the door panel or from the CCTV input of the door panel. It is also possible to modify the illumination LEDs operation mode and if you want to notify to the visitor, that is being seen by the apartment monitor.



6.3. Audio settings

The audio settings section allows to adjust the speaker volume level and the microphone gain, enable or disable the prompt messages of the door panel, the tamper alarm and the push confirmation tone.



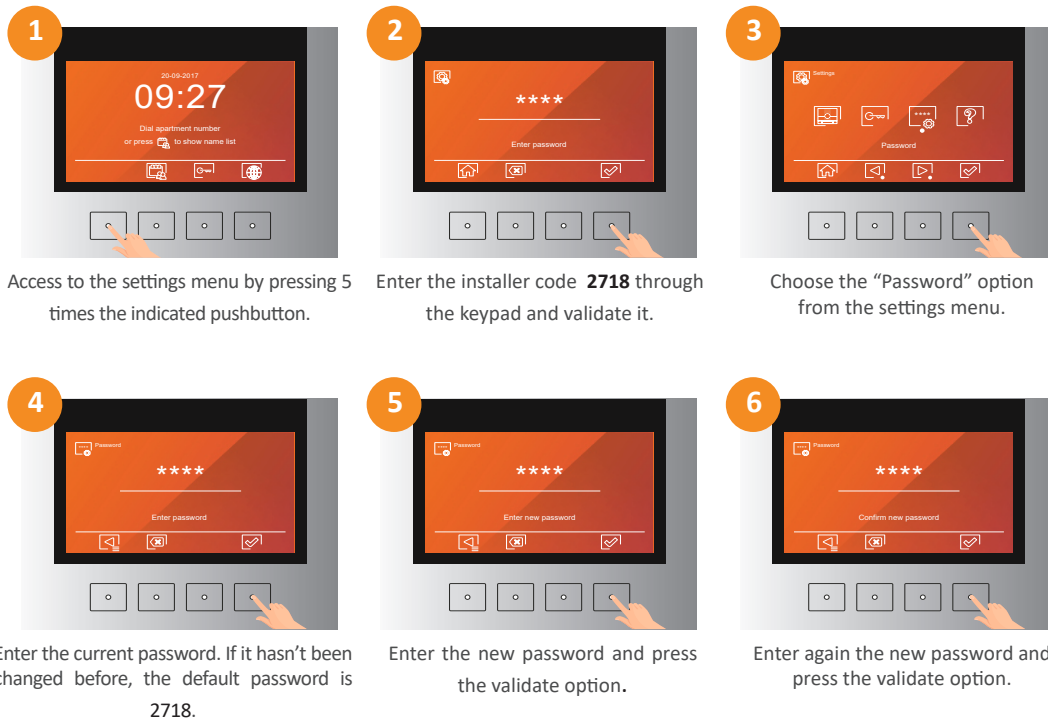
6.4. Special calling methods settings

The special calling methods settings section allows to enable the villa mode, with which the door panel will call to the address1 by only pressing the door bell icon pushbutton, and the direct call to the concierge by pressing the guard icon pushbutton.



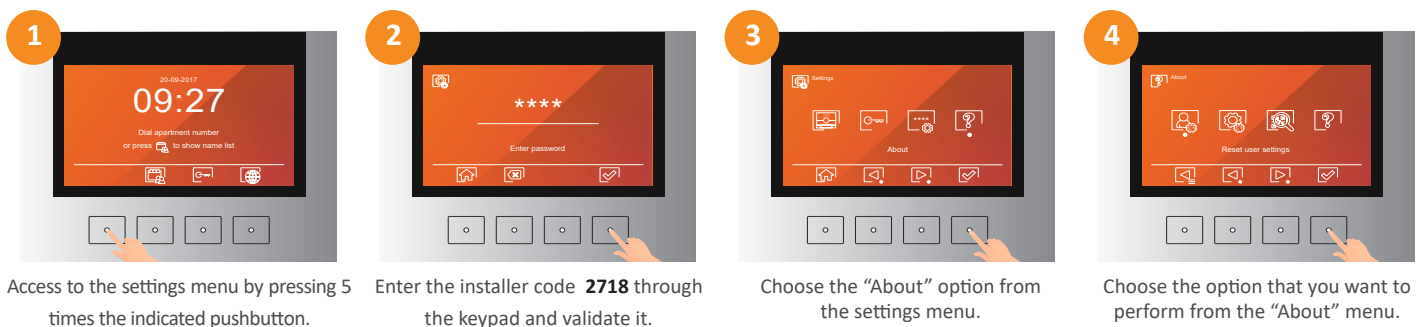
7. MODIFY SETTINGS ACCESS PASSWORD

Below is shown how to modify the password to access the door panel settings. It is recommended to change the password and set another different to the default one. In this way, you can avoid that somebody can modify some configuration parameters causing a system failure.



8. ABOUT

In the “About” section, is possible to do a user settings reset that will leave the panel with the default additional settings, an all settings reset that will leave the panel with factory default settings, you can display in the screen the QR code that brings you to the door panel manual, and access to the system information section, where appears to which block the panel belongs and which IP address the panel has.



If you choose any settings reset, the door panel will show a confirmation screen to avoid accidental settings reset. Confirm the reset in this screen and wait until the panel is operative again.

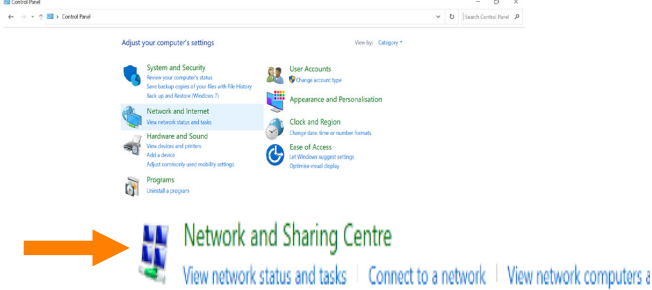
9. INITIAL CONFIGURATION THROUGH THE WEB CLIENT

The 6502/G2+ coded door panel allows to be configured through its web client.

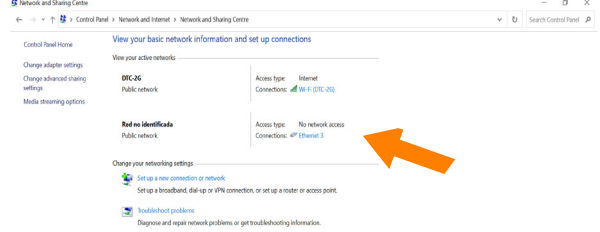
To do that, you must connect your computer to the RJ45 connector of the door panel.

The factory default IP address is the 192.168.100.101. Make you sure that the network connection of your computer is in the same IP range as the door panel. To do so, you will do the following steps:

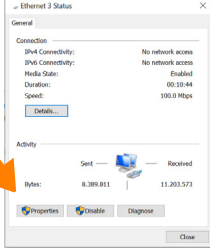
1 Go to network settings in control panel.



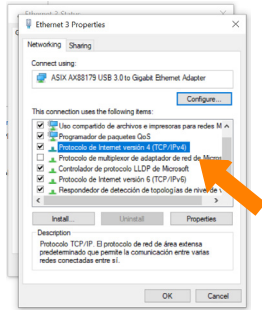
2 Change the active Ethernet network.



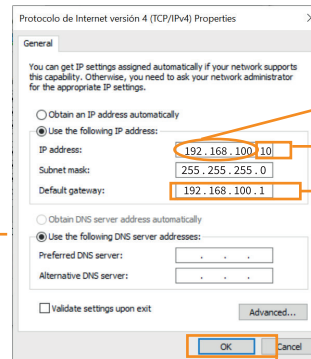
3 Enter into "properties".



4 Select Internet protocol IPv4.



5 Set the IP range.



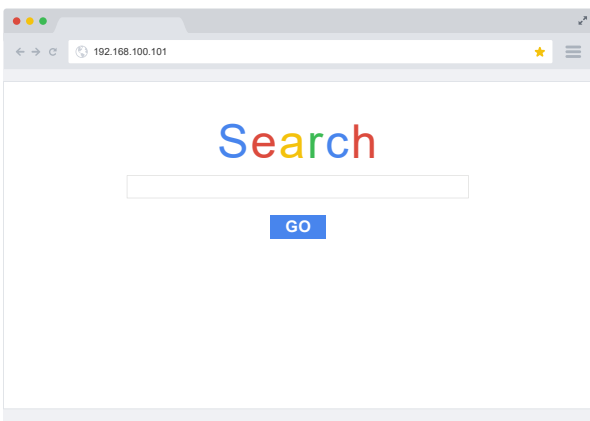
Assign same IP range
192.168.100.XXX
Next three numbers should have a value different than 101.
Assign 192.168.100.1 as Gateway.

Do not assign DNS Confirm settings.

In this moment, the computer is ready to work in the same IP range as the panel IP address.

Enter the IP address in the web browser: **default IP 192.168.100.101**

Access to the Web Client:



The password to access is 2718.

9.1. Settings

Below is described the initial screen of the web client:

(*) In case of being a general panel, it is not necessary to assign a block number to the panel.

(**) If this feature is enabled, the panel will display on its own screen the images from analog CCTV camera input in a call process.

(*) The welcome screen file must have a BMP format, a size of 480*272px, and must be saved as "Advertisement.bmp".

(*) In villa mode, the door panel makes a call to the address 1 by only pressing the bell icon pushbutton.

Modify network parameters of the panel.

Go to the previous screen. Apply established settings.

9.2. Addressbook

In the “Name List” section appears the address list with the assigned name to each one, the block number to which belong, the apartment number, the assigned call code and the private access code.

Name	BLOCK n.	Address	Dial code	Password
Apartamento 1	1	1	111	1234
Apartamento 2	1	2	112	2121
Apartamento 3	1	3	121	9898
Apartamento 4	1	4	122	4545
Apartamento 5	1	5	131	9876
Apartamento 6	1	6	132	5676
Apartamento 7	1	7	141	7878

Export the addressbook .CSV file.

Import addressbook .CSV file.

To import a .CSV file with the door panel addressbook, this must be saved as “Namelist.csv” and it must have an established format. You can download a sample file or export the existing file, modify it, and then upload it by matching the established format. You can download a generic file in the “Download” section of the product website: <https://www.golmar.es/products/6502-g2-plus#product>

9.3. Access cards

In the “Access cards” section appears detailed the list of access cards in each of the system addresses. These appear listed following the order of the registration in each address.

BLOCK n.	Address	Quantity	Card 1	Card 2	Card 3	Card 4	Card 5
1	1	1	a8eff				
1	2	1	a8597c				
1	3	1	8b729c				
1	4	1	a8be53				
1	5	1	436452				
1	6	1	8d2ad5				

Export the access cards .CSV file.

Import the access cards .CSV file.

To import the .CSV file of the access cards, this must be named as “Carddata.csv” and must have an established format. You can export the existing file and upload it again to the panel after the modification by matching with the established format.

9.4. Log events

In the “Event log” section appear detailed the events that have occurred in the system such as callings, and door opennings. These events appear sorted according to the time and date when these have taken place. Is possible to access to the whole list from the web client or exporting it to be able to have a phisical document with the complete log event.

Event type	Address / Code	Time	Date
llamando a	01001	17:00:45	01/01/2000
llamando a	01056	00:39:49	01/01/2000

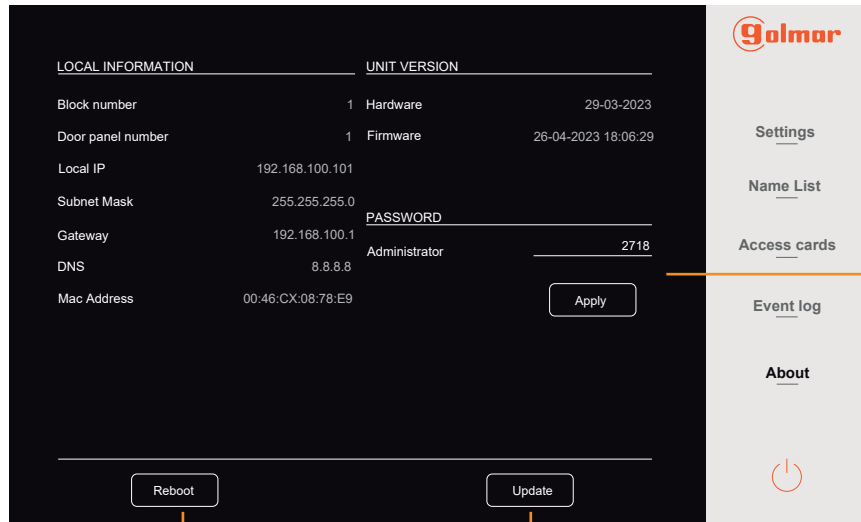
Go to the previous screen.

Export log events .CSV file.

Go to the next screen.

9.5. About

In the “About” section appear detailed the door panel settings parameters as the block to which the panel belongs, the number of door panel, its IP address, subnet mask, gateway, DNS, and MAC address. The hardware and firmware versions also appear detailed , and is also possible to modify the password to access the web client and system settings of the panel.



Modify password to access to the web client and door panel system settings section.

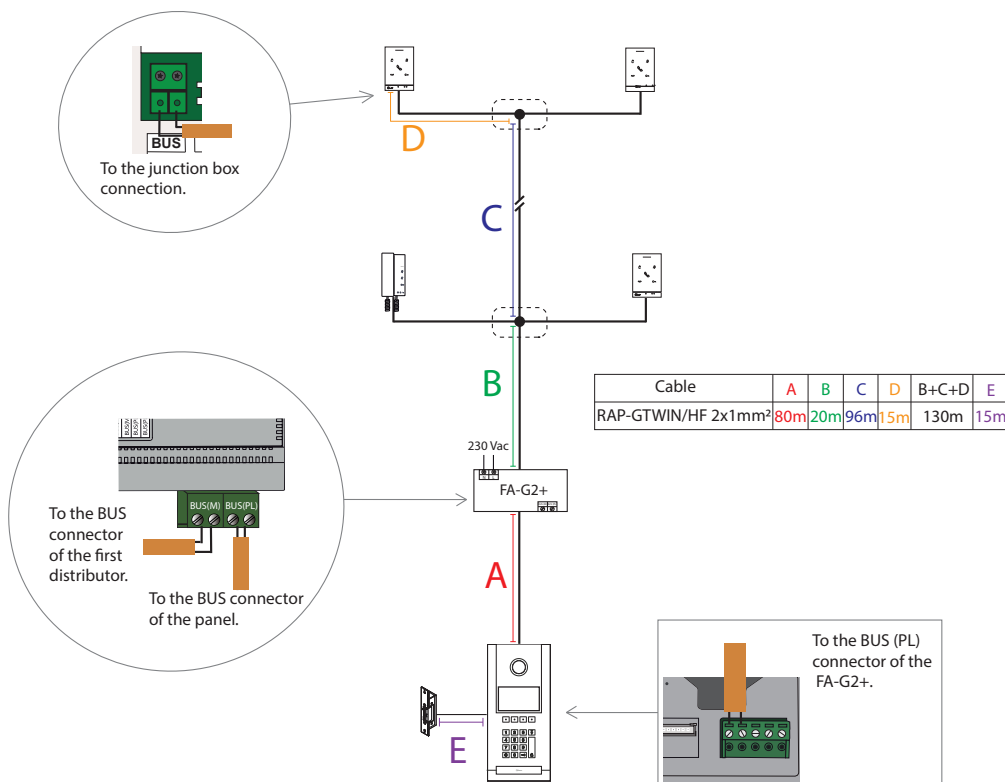
Reset the door panel.

Update the firmware version of the door panel.

10. INSTALLATION DIAGRAMS

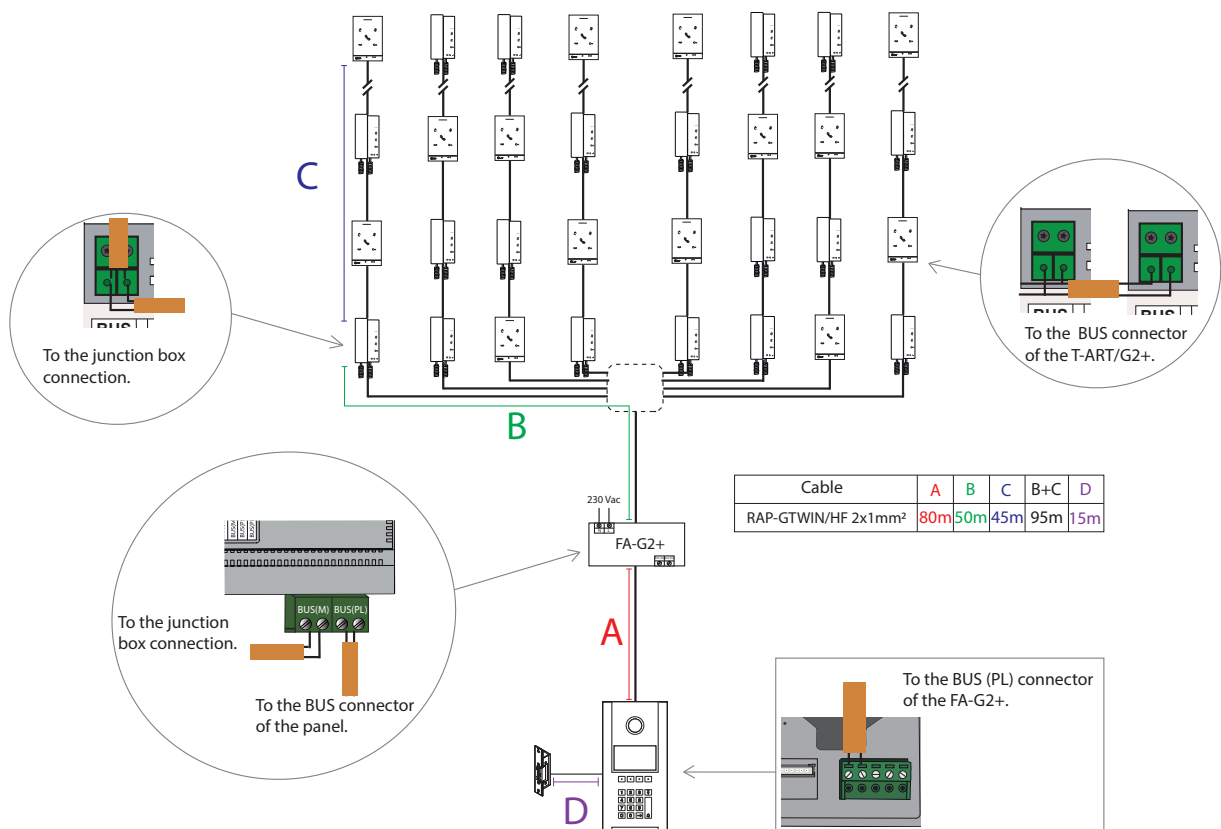
10.1. Distributed audio installation

Up to 128 audio indoor units, all with the DIP 10 in OFF position.



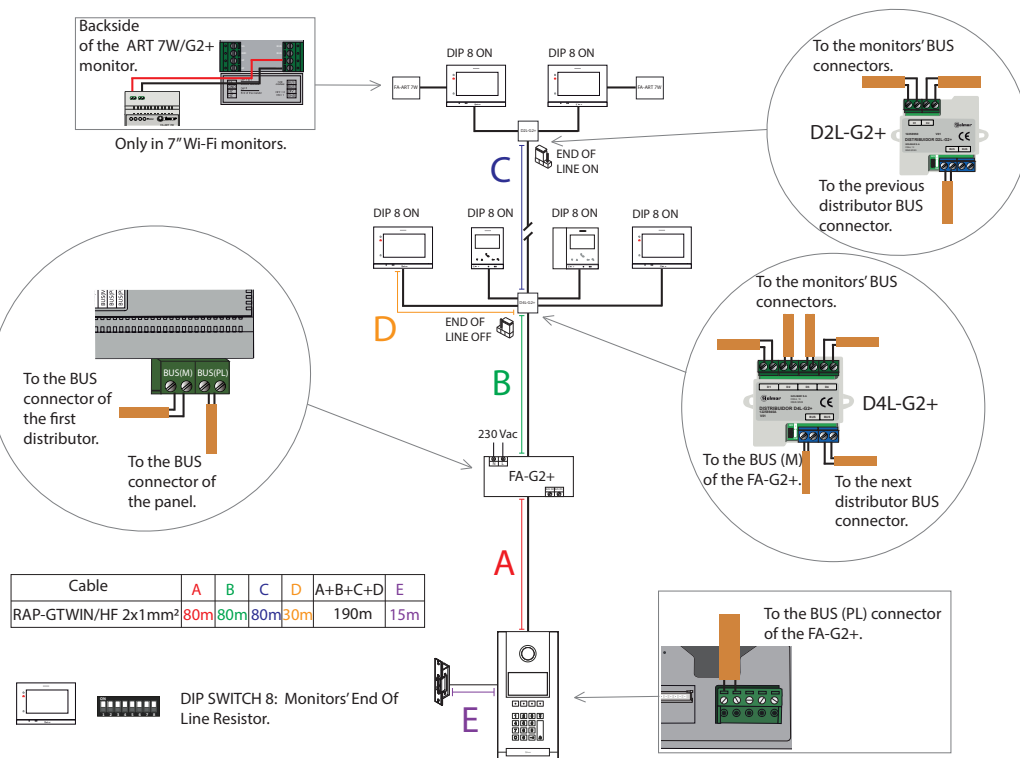
10.2. Daisy-chain audio installation

IN-OUT installation with 8 columns without distributors, maximum 16 audio units per column and 128 audio units in the installation. All the indoor units must have the DIP 10 in the OFF position. Make junction box connections.



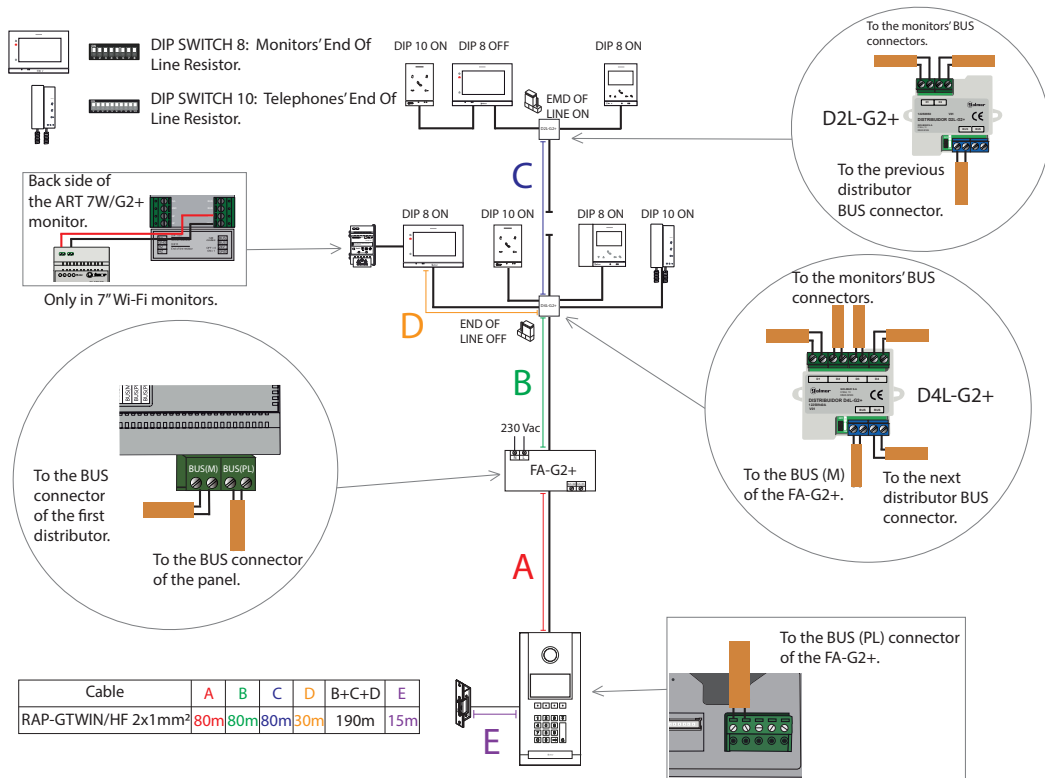
10.3. Distributed video installation

Up to 32 monitors in the installation. All the indoor units must have the DIP 8 in ON position. Set the end of line resistor only in the last distributor.



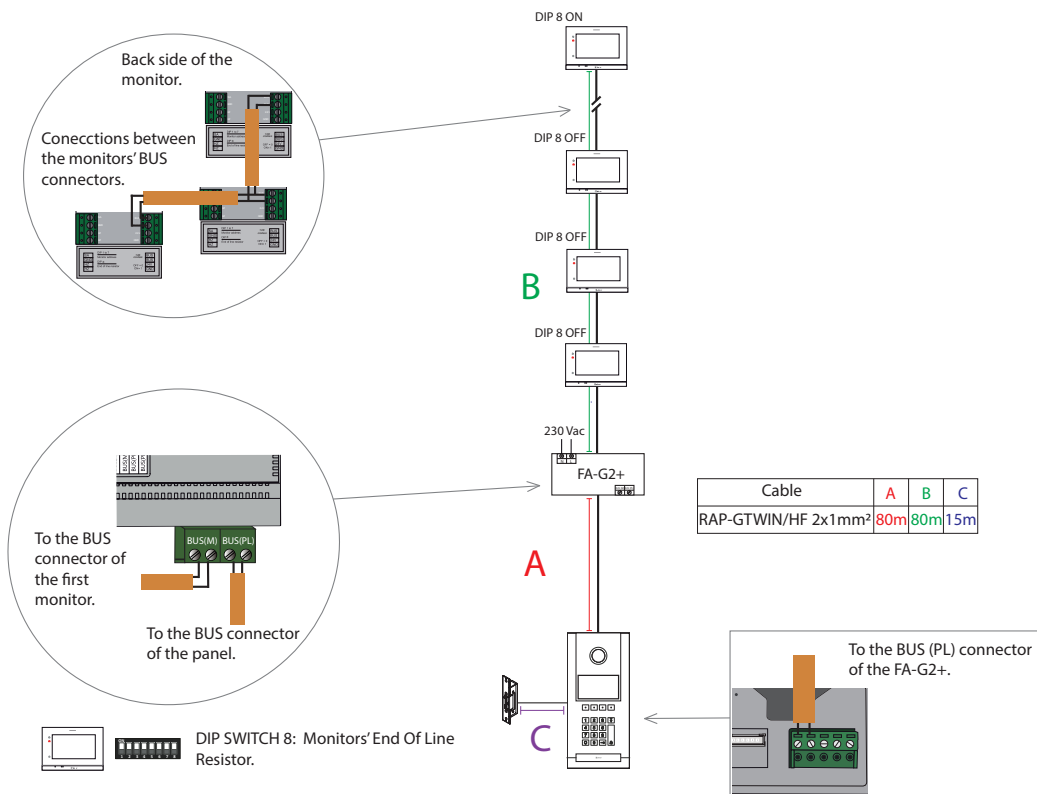
10.4. Distributed mixed installation

Up to 32 indoor units in the installation.
Set the end of line resistor only in the last distributor.



10.5. Daisy-chain video installation without distributors

Up to 12 monitors in IN-OUT mode without distributors for each installation.
Set the DIP 8 to ON position only in the last monitor, the rest in OFF position.

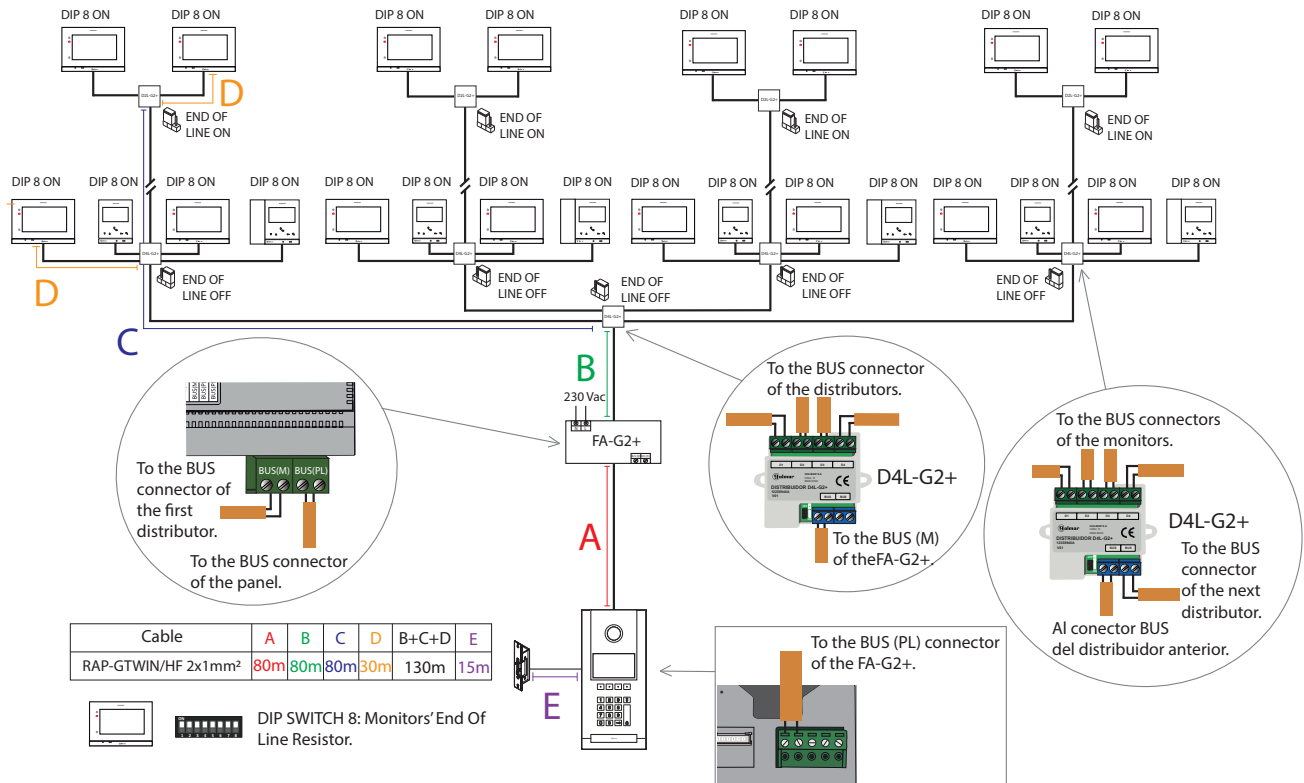


10.6. Video installation in risers with distributors

Up to 32 monitors in the installation.

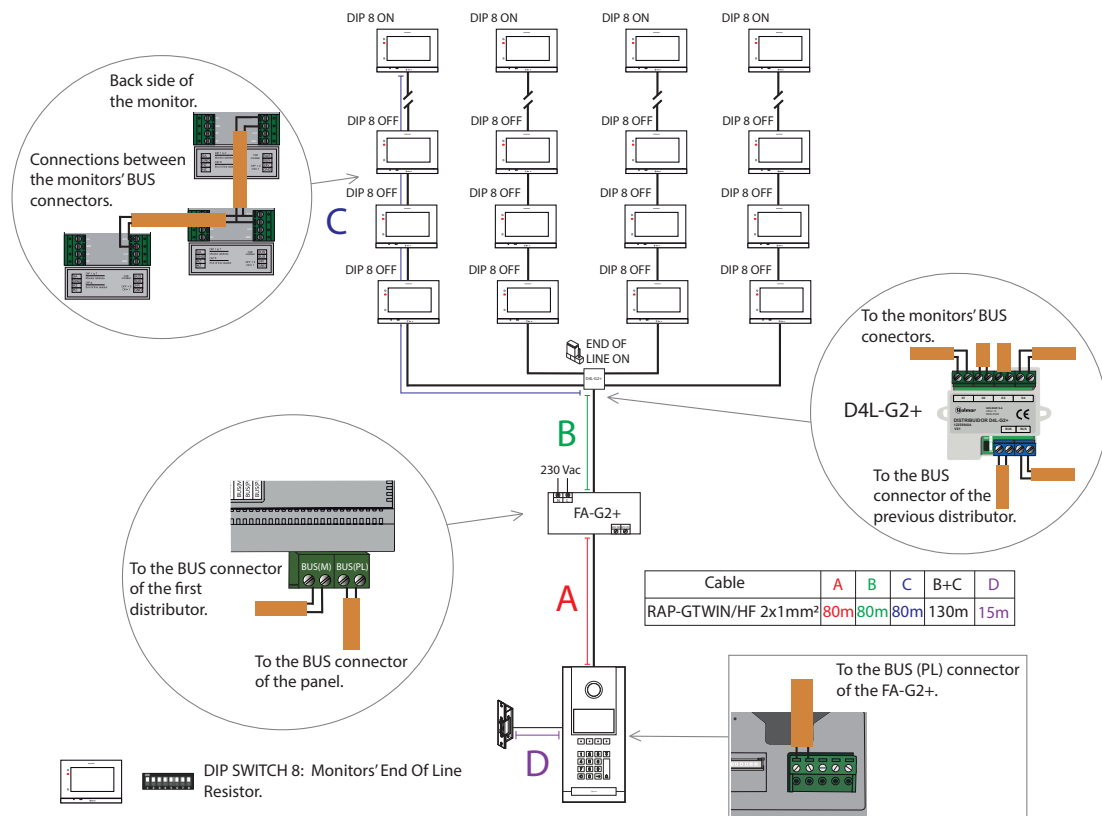
All the indoor units must have the DIP 8 in ON position. Set the end of line only in the last distributor.

Is possible to do 2 risers by switching the D4L-G2+ distributor by a D2L-G2+ distributor in the lowest level.

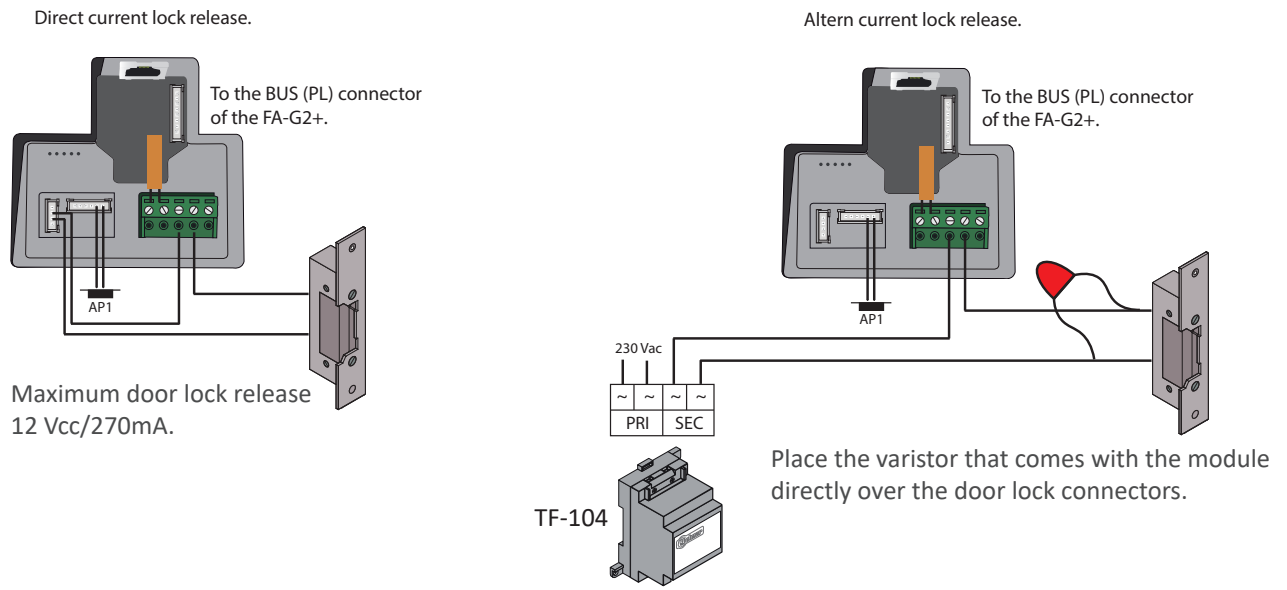


10.7. Video installation in risers with monitors in disy-chain connection mode

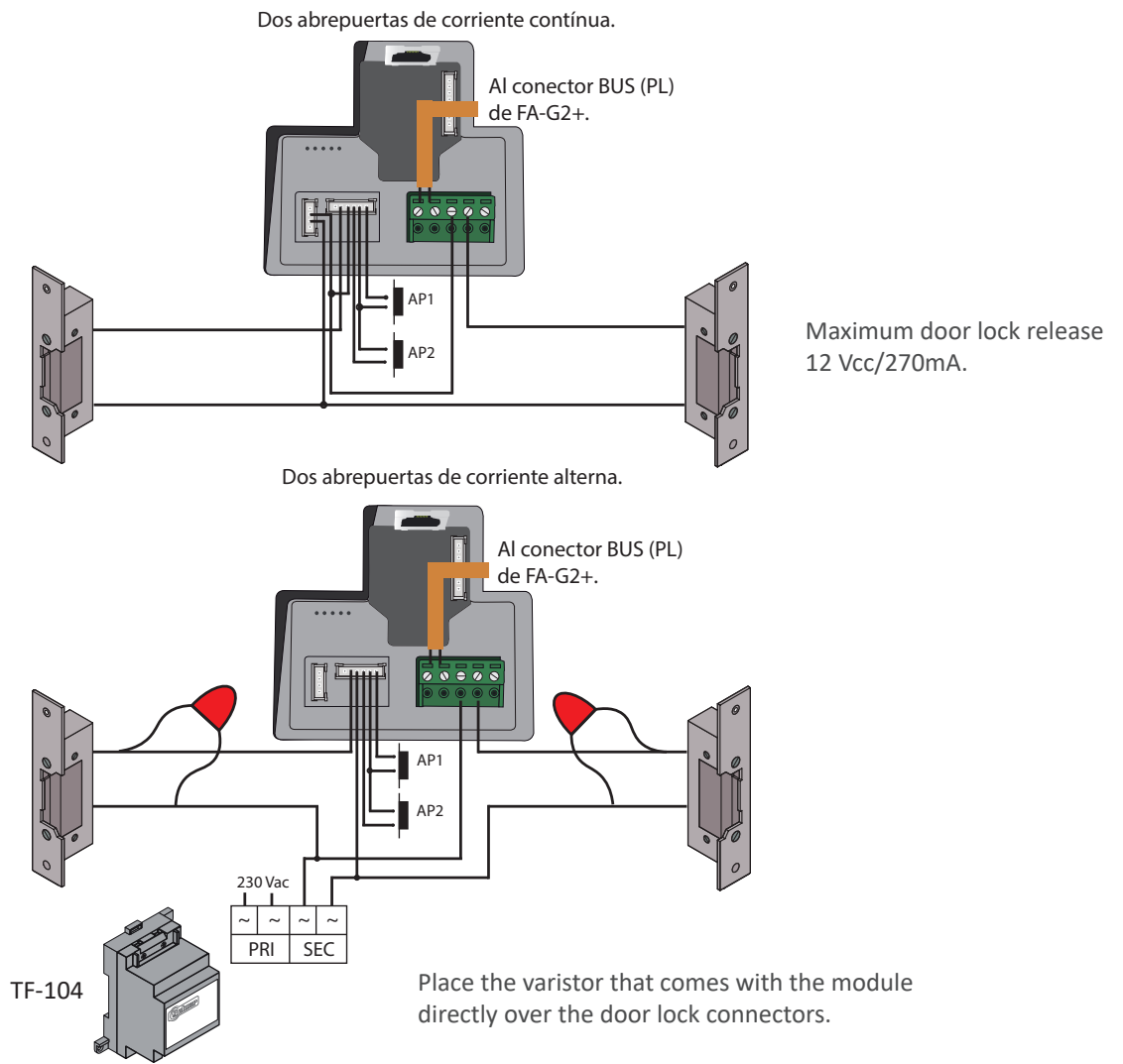
Up to a maximum of 8 monitors in IN-OUT connection mode for each column and 32 monitors for each installation.



10.8. Single lock release connection



10.9. Double lock release connection

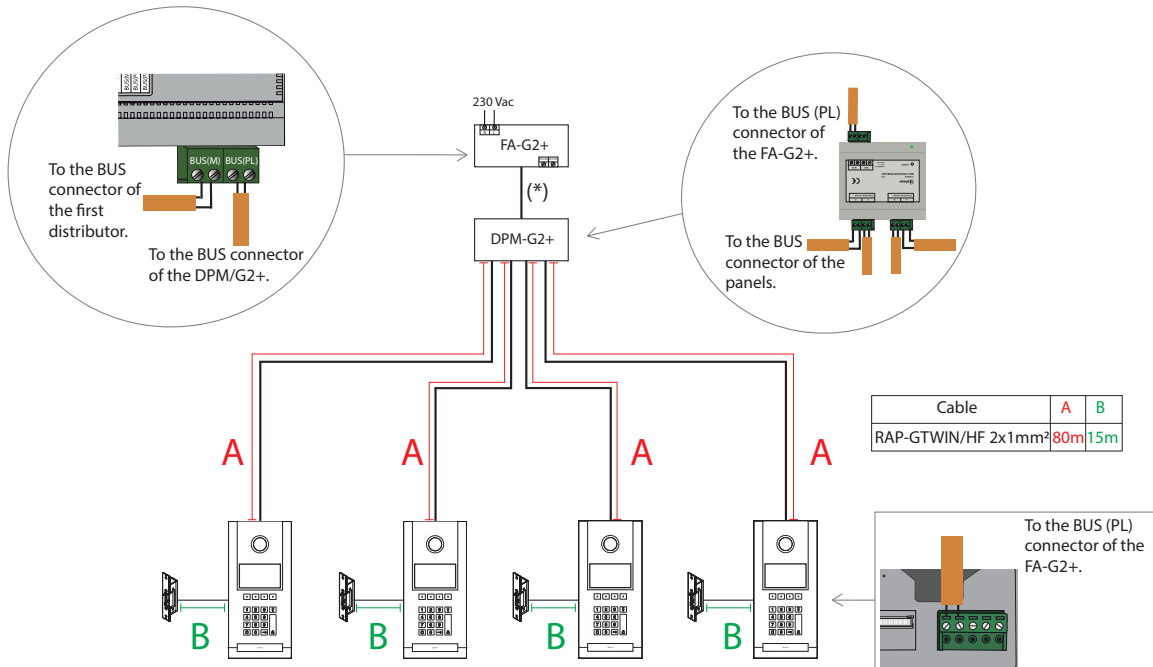


10.10. 4 door panels connection

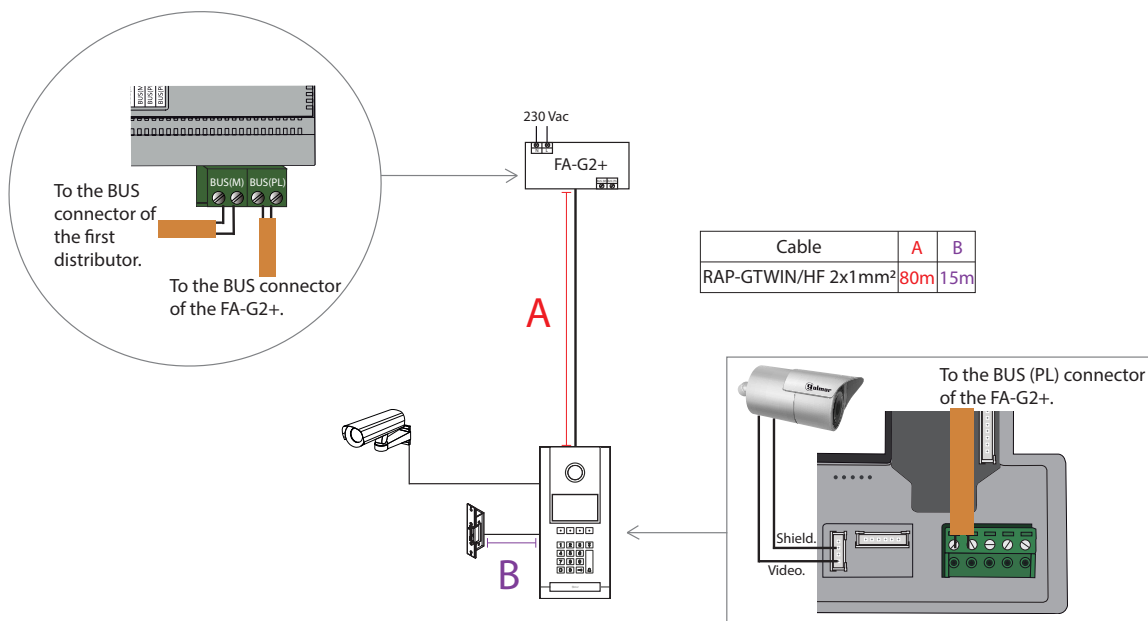
(*) Maximum distance 1m.

In installations with 1 or 2 door panels with direct current locks release, maximum 2 "AP" external opening pushbuttons. One in each of the door panels.

In installations with more than 2 door panels with direct locks release, maximum 1 "AP" external opening pushbuttons, installed in only one of the door panels of the installation.



10.11. Additional analog CCTV camera connection





C/ Silici 13. Poligon Industrial Famadas
08940 – Cornellà del Llobregat – Spain
golmar@golmar.es
Telf: +34 934 800 696
www.golmar.es



Golmar reserves the right to make any changes without prior notice.