



KEYBUS SE



INSTALLATION MANUAL

IM_ENG_REV0124_KEYBUS_SE

1.TABLE OF CONTENTS

1.Table of contents.....	2
2.Introduction	3
3.Technical specifications.....	3
4.Installation	4
5.Wiring diagrams	4
5.1.Standalone.....	4
5.2.Slave	5
6.Access to programming.....	5
7.Programming	5
7.1.Add codes and cards	5
7.1.1.Add code	5
7.1.2.Add card.....	6
7.2.Remove codes and cards	6
7.2.1.Remove codes and cards one by one.....	6
7.2.2.Remove all codes and cards	6
7.3.Management cards	6
7.3.1.Create “ADD” card.....	6
7.3.2.Create “REMOVE” card	6
7.3.3.Add or remove with management cards	6
7.4.Reading modes.....	7
7.4.1.Card reading only	7
7.4.2.Card or code reading.....	7
7.5.Door opening time.....	7
7.5.1.Standard mode	7
7.5.2.Custom mode	7
7.6.Reader operating modes	7
7.6.1.Wiegand mode operation	7
7.6.2.Standalone mode operation.....	7
7.7.Anti-passback function	7
7.8.Status leds.....	8
7.8.1.Deactivate	8
7.8.2.Activate.....	8
7.9.Buzzer	8
7.9.1.Deactivate	8
7.9.2.Activate.....	8
7.10.Tamper alarm	8
7.10.1.Deactivate.....	8
7.10.2.Activate.....	8
7.11.Alarm	8
7.10.1.Disable/stop alarm.....	8
7.10.2.Activate.....	8

7.12.Security modes.....	9
7.12.1.Safe mode off	9
7.12.2.Safe mode with lock activated.....	9
7.12.3.Safe mode with alarm activated.....	9
7.13.Change master code	9
7.14.Reset factory settings.....	9
8.Meaning of sounds and status LEDs	9
9.Additional diagrams.....	10
9.1.Anti-passback mode	10
9.2.Standalone mode connected to intercom.....	10
9.3.Slave mode with iP Opener Wiegand controller	11
9.4.Reader with AC door lock release..	12
9.5.Two readers and a single AC door lock release..	12
9.6.Exit pushbutton.....	13

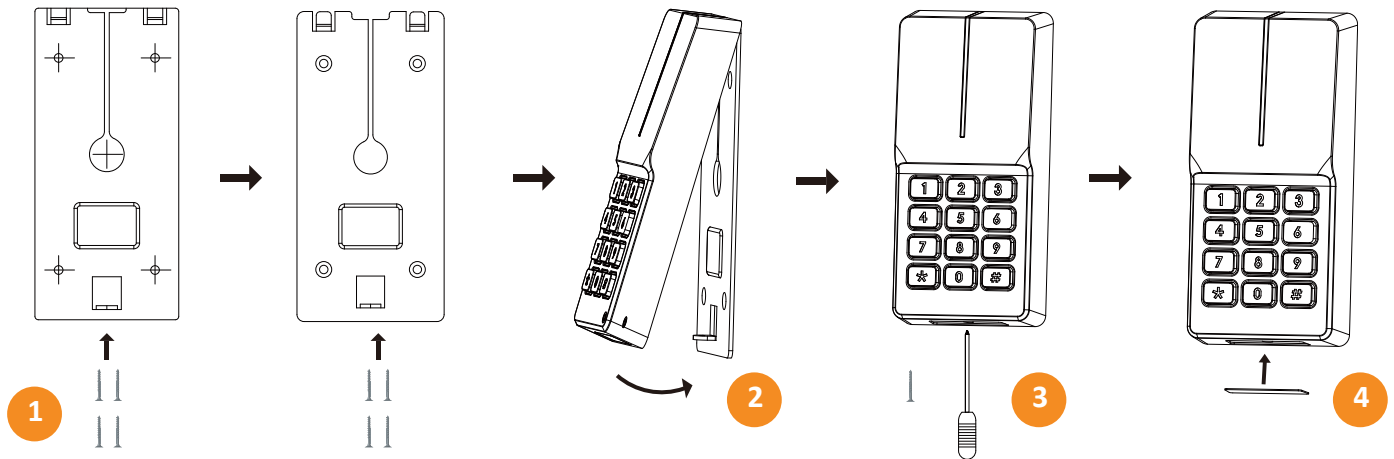
2.INTRODUCTION

Installation manual for the KeyBus SE reader, a new version of the KeyBus reader, which has a renewed appearance and as a great novelty the possibility of reading cards in two frequencies 125Khz and 13.56MHz.

3.TECHNICAL SPECIFICATIONS

Material	Zinc alloy structure, all-metal keyboard.
Max. number of users	2000
Input voltage	12 —24Vdc
Standby current	≤50mA
EM&HID card reading distance	5cm
Mifare card reading distance	2cm
Card reading frequency	125KHz and 13.56MHz
Card number transmission format	Wiegand 26-37
Keypad output format:	4-6 digits password, card number
Dimension (H x W x D):	83(W) x 170(H) x 26(D) mm
Working temperature range:	-20~60° C
Working humidity range:	0-95% (non-condensing)

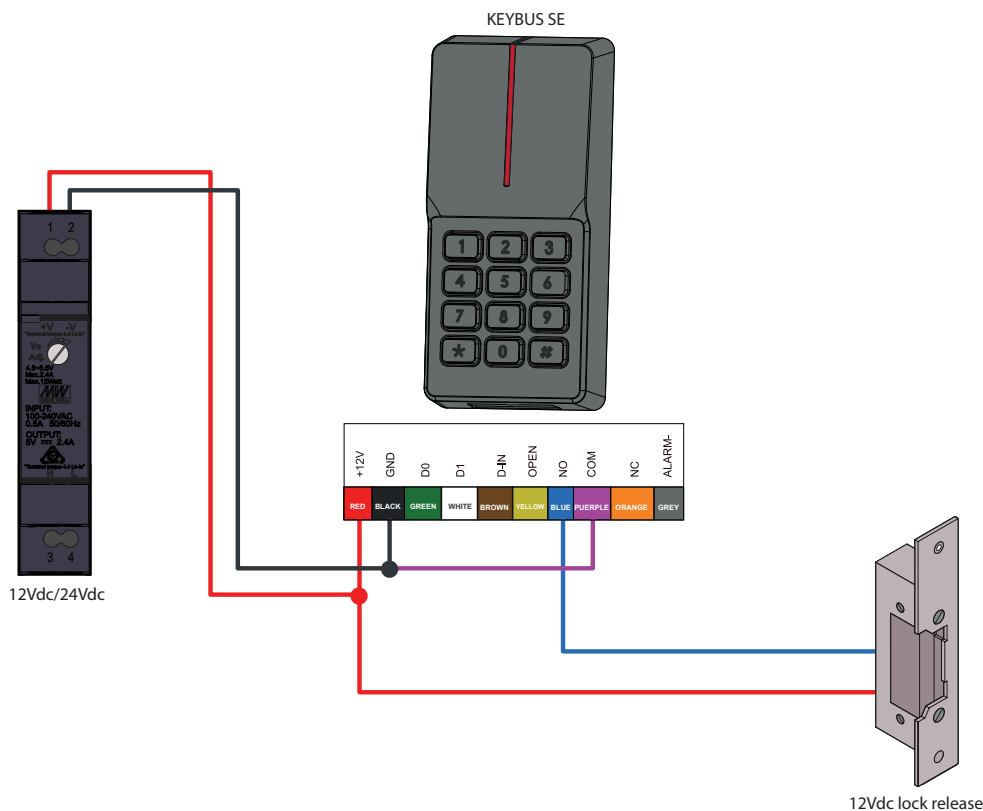
4. INSTALLATION



- 1) Stick the label on the wall, drill a 14mm diameter hole for the wiring outlet and 4 fixing holes of 6mm diameter, then insert 4 dowels into the fixing holes.
- 2) Remove the anti-drop screw on the bottom of the product with a screwdriver, remove the mounting rail from the reader. Place the mounting rail to fit the previously drilled holes and fix it to the wall with 4 self-tapping screws.
- 3) Connect the reader as shown in the wiring diagrams in the following sections of this manual. Make sure that the connection is correct so as not to make a bad connection or short-circuit that could damage the reader. Briefly turn on the reader. When the reader is powered on, it should beep and the LED should be on steady red. If this is not the case, remove the power supply immediately, and recheck the wiring. Once the reader is correctly connected, attach the front panel to the mounting rail and secure it with the anti-drop screw.
- 4) Stick the decorative piece in the position of the anti-drop screw.

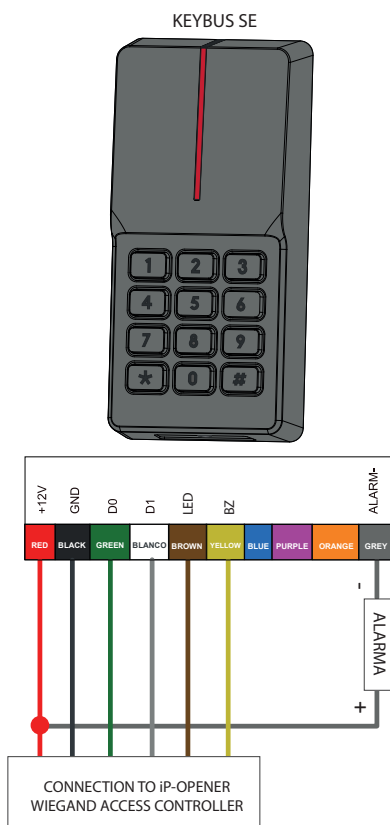
5. WIRING DIAGRAMS

5.1. STANDALONE



By default, the reader is set up to operate in standalone mode.

5.2.SLAVE



The reader must be configured as a Wiegand slave: *888888# (master code) + 710#.

6.ACCESS TO PROGRAMMING

Perform the following sequence to enter programming:

Enter administrator mode		
*	MASTER CODE (By default: 888888)	#

Once in programming, execute the desired programming sequence. The different system programming sequences are detailed below.

IMPORTANT

The reader will indicate access to programming with a “slow red flashing” of the led. At the start of the programming sequence (function to be programmed) the LED will show “orange”.

To exit programming press “*” twice (allow a one second interval between presses) and the reader will go to standby, status led “steady red”. In case no press is made, the reader automatically exits programming after 30 seconds.

7.PROGRAMMING

7.1.ADD CODES AND CARDS

To register opening codes or cards, access programming and then press number 1 which corresponds to register codes and cards, depending on one or the other, follow the corresponding box.

7.1.1.ADD CODE

In case it is desired to have only one opening code, enter a number from 1 to 2000 in the user identification number and a 4-digit code to be used for the opening.

Enter administrator mode								
*	MASTER CODE (By default: 888888)	#	1	USER ID NUMBER (FROM 1 TO 2000)	#	4-DIGIT CODE FOR OPENING	#	

To end and exit programming, always press * twice.

Once the code(s) have been programmed, open the door by pressing the memorized code plus #:

4-DIGIT CODE MEMORIZED	#
---------------------------	---

7.1.2.ADD CARD

Enter administrator mode				
*	MASTER CODE (By default: 888888)	#	1	SWIPE THE CARD BY THE READER

To exit programming press “*” twice.

In the case it is desired that the cards have a user number assigned to them, follow the table below. If no user number is assigned, the cards are assigned in sequential order from 1 to 2000.

Enter administrator mode							
*	MASTER CODE (By default: 888888)	#	1	USER ID NUMBER (FROM 1 TO 2000)	#	SWIPE THE CARD BY THE READER	#

To exit programming press “*” twice.

7.2.REMOVE CODES AND CARDS**7.2.1.REMOVE CODES AND CARDS ONE BY ONE**

Enter administrator mode					
*	MASTER CODE (By default: 888888)	#	2	USER ID NUMBER (FROM 1 TO 2000)	#

In the case of cards, it is possible to remove the registered card, as follows:

Enter administrator mode					
*	MASTER CODE (By default: 888888)	#	2	SWIPE THE CARD BY THE READER	#

7.2.2.REMOVE ALL CODES AND CARDS

Enter administrator mode					
*	MASTER CODE (By default: 888888)	#	2	0000	#

ATTENTION, please note that this action removes all registered accesses (codes and cards).

7.3.MANAGEMENT CARDS

It is possible to generate an “ADD” (master card for adding cards) and a “DELETE” (master card for removing cards). In this way, once generated, it will be possible to add and remove cards without having to enter the menu.

7.3.1.CREATE “ADD” CARD

Enter administrator mode				
*	MASTER CODE (By default: 888888)	#	61	SWIPE THE CARD BY THE READER

7.3.2.CREATE “REMOVE” CARD

Enter administrator mode				
*	MASTER CODE (By default: 888888)	#	62	SWIPE THE CARD BY THE READER

The approximate card to be programmed will be the “ADD” or “DELETE” card depending on the sequence used.

7.3.3.ADD OR REMOVE WITH MANAGEMENT CARDS

Once the “ADD” and “DELETE” cards have been created, they can be added and removed as follows:

ADD (register card)

Swipe “ADD card” through the reader and then register as many cards as you wish, once finished, swipe the “ADD card” again.

DELETE (remove card)

Swipe “DELETE card” through the reader and then swipe all the cards to be removed through the reader, then swipe the “DELETE card” again.

7.4.READING MODES**7.4.1.CARD READING ONLY**

In this operating mode, reading by numerical code (PIN) is not possible.

Enter administrator mode				
*	MASTER CODE (By default: 888888)	#	30	#

7.4.2.CARD OR CODE READING (default value)

In this operating mode both card and numerical code opening are enabled.

Enter administrator mode				
*	MASTER CODE (By default: 888888)	#	32	#

7.5.DOOR OPENING TIME**7.5.1.STANDARD MODE (default value)**

By default the reader opening time is 5 seconds.

Enter administrator mode				
*	MASTER CODE (By default: 888888)	#	40	#

Note: By default the reader gives a 5s pulse opening time. It is recommended to install an automatic type door opener (one press unlocks the door opener, which locks again when the door closes) or to vary the opening time in the configuration.

7.5.2.CUSTOM MODE

This mode allows you to set the opening time to a duration between 1 and 99 seconds.

Enter administrator mode					
*	MASTER CODE (By default: 888888)	#	4	1-99	#

Note: It is recommended to use an automatic opener (with memory) to avoid the need to modify the opening time. Suggested lock release: CV-24/DC.

7.6.READER OPERATING MODES**7.6.1.WIEGAND MODE OPERATION**

Set the terminal to work in Wiegand operating as a slave.

Enter administrator mode				
*	MASTER CODE (By default: 888888)	#	710	#

See connection diagram in section 5.2.SLAVE READER.

7.6.2.STANDALONE MODE OPERATION (default value)

Set the terminal to work in Standalone.

Enter administrator mode				
*	MASTER CODE (By default: 888888)	#	711	#

See connection diagram in section 5.1.STANDALONE READER.

7.7.ANTI-PASSBACK FUNCTION

Anti-passback: A user will be able to exit if he has previously accessed, at the same time, he will not be able to access again if he has not performed the exit reading. Requires the use of 2 terminals (entrance reader/exit reader) for the same door.

Enter administrator mode				
*	MASTER CODE (By default: 888888)	#	715	#

See connection diagram in section 9.1.ANTI-PASSBACK MODE.

7.8.STATUS LEDS**7.8.1.DEACTIVATE**

Deactivates the stand by status led. The status LEDs when validating, code, card or accessing programming will still be displayed.

Enter administrator mode				
*	MASTER CODE (By default: 888888)	#	810	#

7.8.2.ACTIVATE (default value)

Enter administrator mode				
*	MASTER CODE (By default: 888888)	#	811	#

7.9.BUZZER**7.9.1.DEACTIVATE**

Deactivates the confirmation sounds (beeps).

Enter administrator mode				
*	MASTER CODE (By default: 888888)	#	820	#

7.9.2.ACTIVATE (default value)

Enter administrator mode				
*	MASTER CODE (By default: 888888)	#	821	#

7.10.TAMPER ALARM**7.10.1.DEACTIVATE**

Enter administrator mode				
*	MASTER CODE (By default: 888888)	#	840	#

7.10.2.ACTIVATE (default value)

Enter administrator mode				
*	MASTER CODE (By default: 888888)	#	841	#

In case someone removes the reader from the mounting strip, the anti-tamper alarm will sound.

7.11.ALARM**7.11.1..DISABLE/STOP ALARM**

Enter administrator mode				
*	MASTER CODE (By default: 888888)	#	740	#

7.11.2.ACTIVATE (default value)

The alarm is triggered, e.g. in case the “Safe Mode” is activated it will sound.

Enter administrator mode				
*	MASTER CODE (By default: 888888)	#	741	#

The activation time can be 1 minute (code 741), 2 minutes (code 742) or 3 minutes (code 743).

7.12. SECURITY MODES

7.12.1. SAFE MODE OFF (default value)

In case of consecutive wrong codes being introduced, no alarm is triggered.

Enter administrator mode					
*	MASTER CODE (By default: 888888)	#	850	#	

7.12.2. SAFE MODE WITH LOCK ACTIVATED

If 10 false codes/cards are introduced within 10 minutes, the terminal will be blocked. It will not take any readings.

Enter administrator mode					
*	MASTER CODE (By default: 888888)	#	851	#	

7.12.3. SAFE MODE WITH ALARM ACTIVATED

If within 10 minutes 10 unauthorized attempts are made (false codes/cards), the terminal emits an alarm.

Enter administrator mode					
*	MASTER CODE (By default: 888888)	#	852	#	

It can be muted by entering the “master code” (administrator).

7.13. CHANGE MASTER CODE

Before starting to register users, it is recommended to change the master user code (factory default 888888), in order to avoid possible manipulation by people who do not belong to the installation. To change the code, proceed as follows.

Enter administrator mode							
*	MASTER CODE (By default: 888888)	#	0	NEW 6-DIGIT MASTER CODE	#	REPEAT NEW CODE	#

7.14. RESET FACTORY SETTINGS

To return to the factory settings, remove the power supply of the reader, press the * key and without releasing it, after one second, it will emit two beeps and the orange LED will light up, release the key and you will hear a long beep, at that moment the factory settings will be restored.

IMPORTANT: Codes or recorded cards are not lost.

8. MEANING OF SOUNDS AND STATUS LEDS

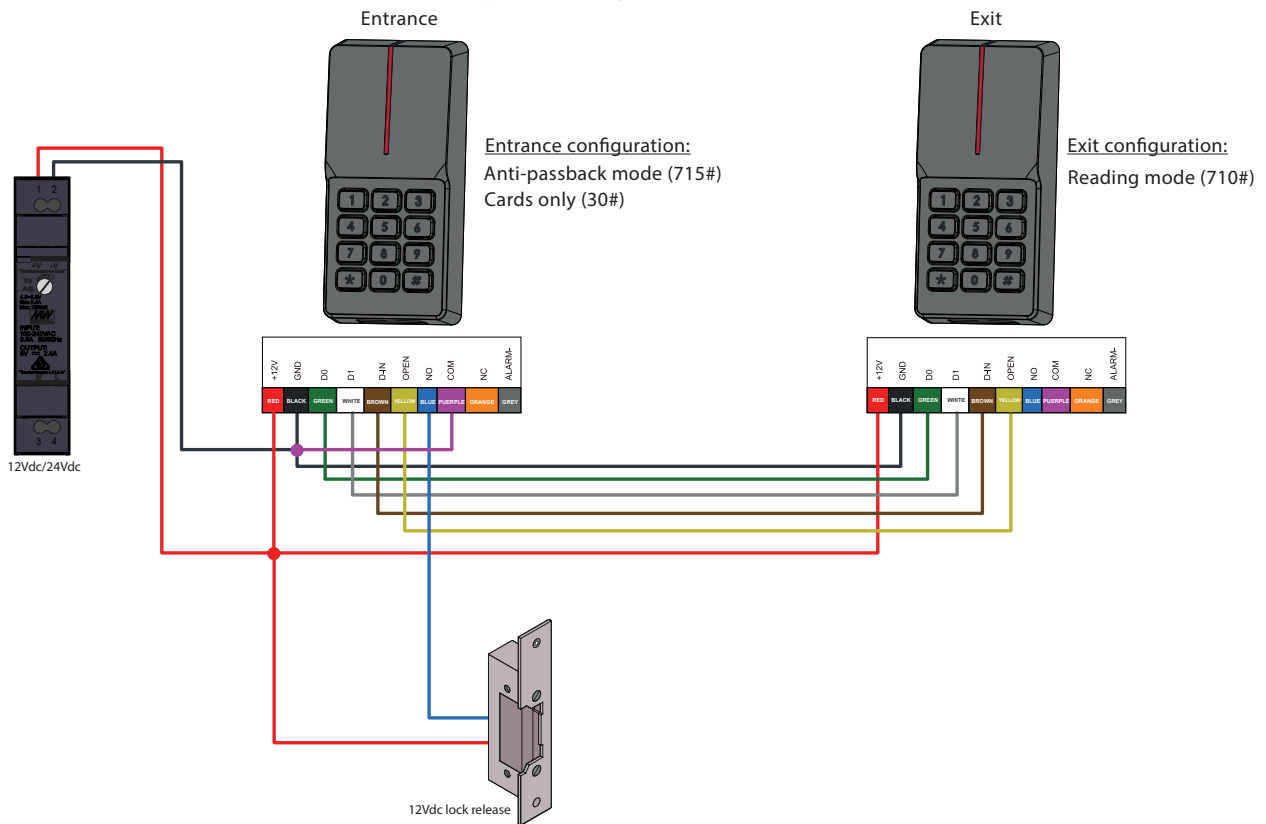
OPERATION STATUS	LED COLOR	BUZZER
Standby	Red	
Press key		Short beep
Read card	Green	Long beep
Open lock release	Green	Long beep
Correct operation	Green	Long beep
Incorrect operation		3 short beeps
PIN input	Slow flashing red	
Read card or PIN	Slow flashing red	
Programming	Slow flashing red	
Programming frequency	Orange	
ADD card reading	Orange	
DELETE card reading	Orange	2 short beeps
Alarm	Fast flashing red	Alarm

9.ADDITIONAL DIAGRAMS

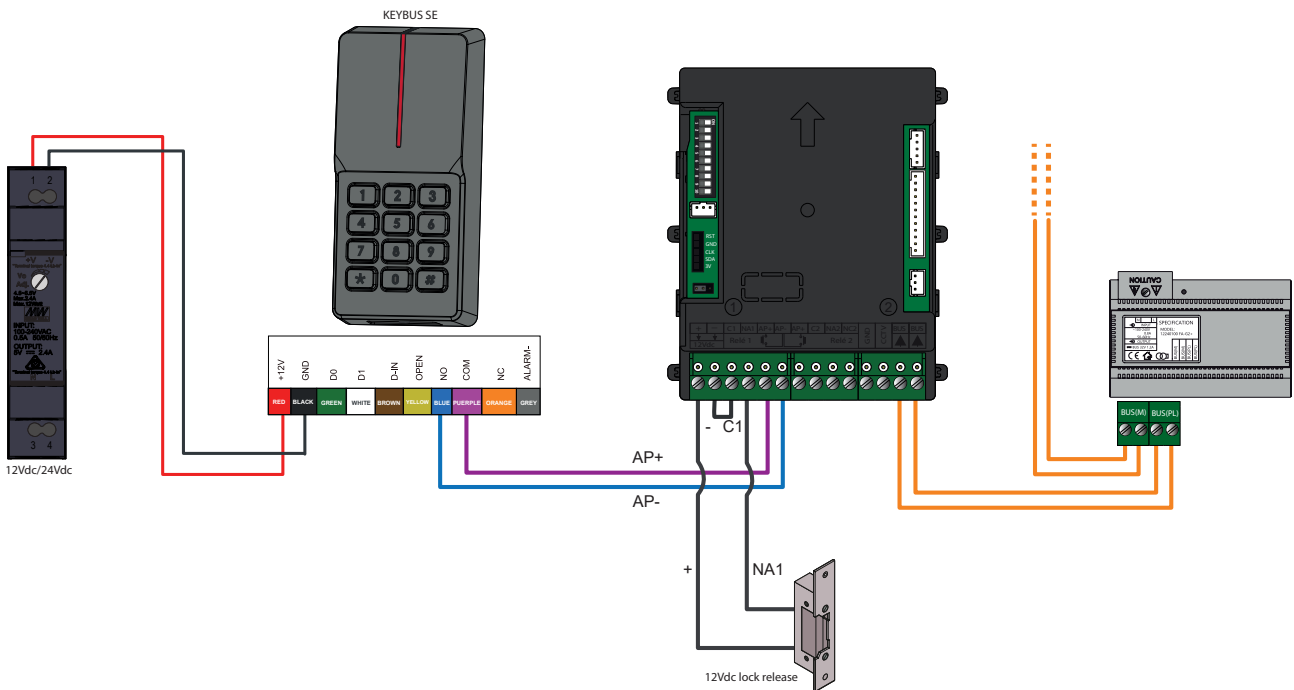
9.1.ANTI-PASSBACK MODE

The entrance reader must be configured as Anti-Passback: *888888# (master code) + 715#. It will also require to be in “card read only” mode: *888888# (master code) + 30#.

The exit reader must be set to Reader mode: *888888# (master code) + 710#.



9.2..STANDALONE MODE CONNECTED TO INTERCOM

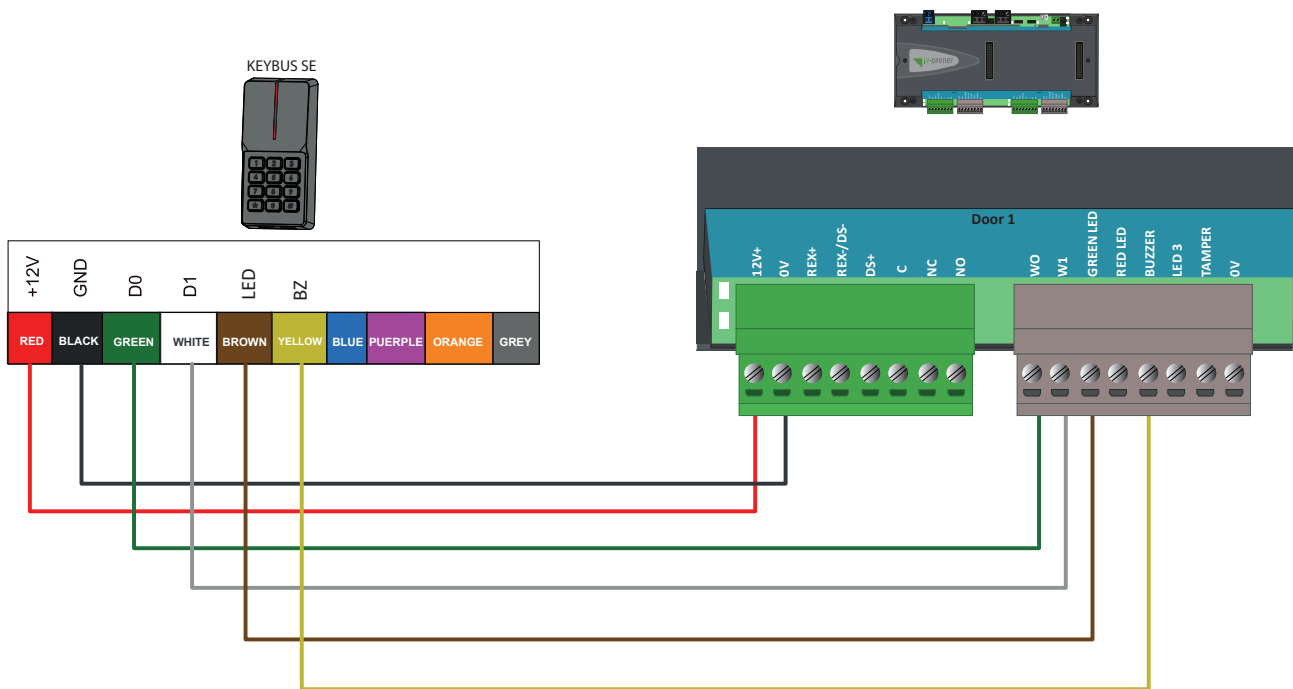


NOTE: The intercom AP (door opener) does not activate the door opener until the KeyBus SE reader pulse is completed. To avoid opening delays, set the minimum pulse on the reader (1 second):

Enter administrator mode					
*	MASTER CODE (By default: 888888)	#	4	1	#

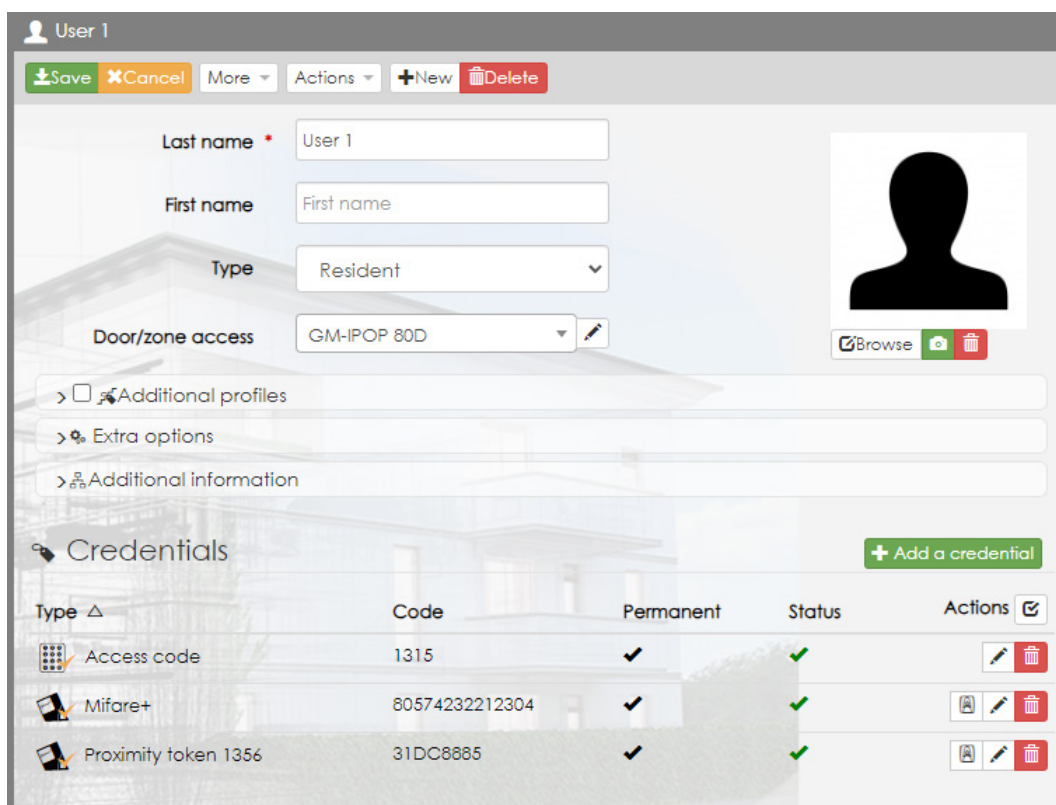
9.3.SLAVE MODE WITH IP OPENER WIEGAND CONTROLLER

The reader must be set as a Wiegand slave: *888888# (master code) + 710#.



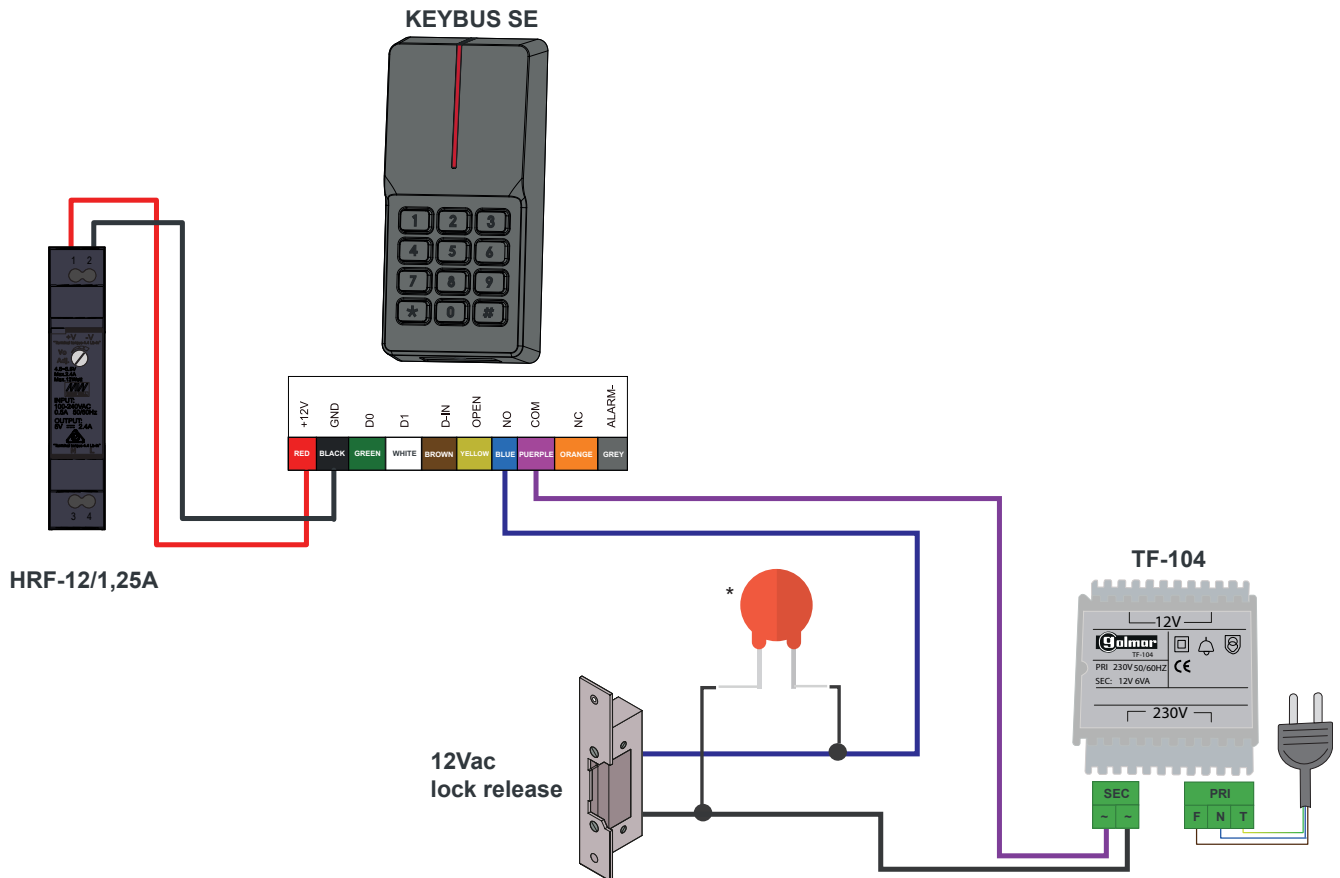
IMPORTANT: Remember that in slave mode the reader only reads the credential. The credential must have been previously encoded in the controller’s management program.

An example is shown below on iP O opener where: a PIN code, a TAGDOOR MF+ key fob and an ISOPROX card have been encoded. At this point, entering the registered PIN code (1315 plus #) or by approaching either of the two registered proximity credentials to the reader will validate access.



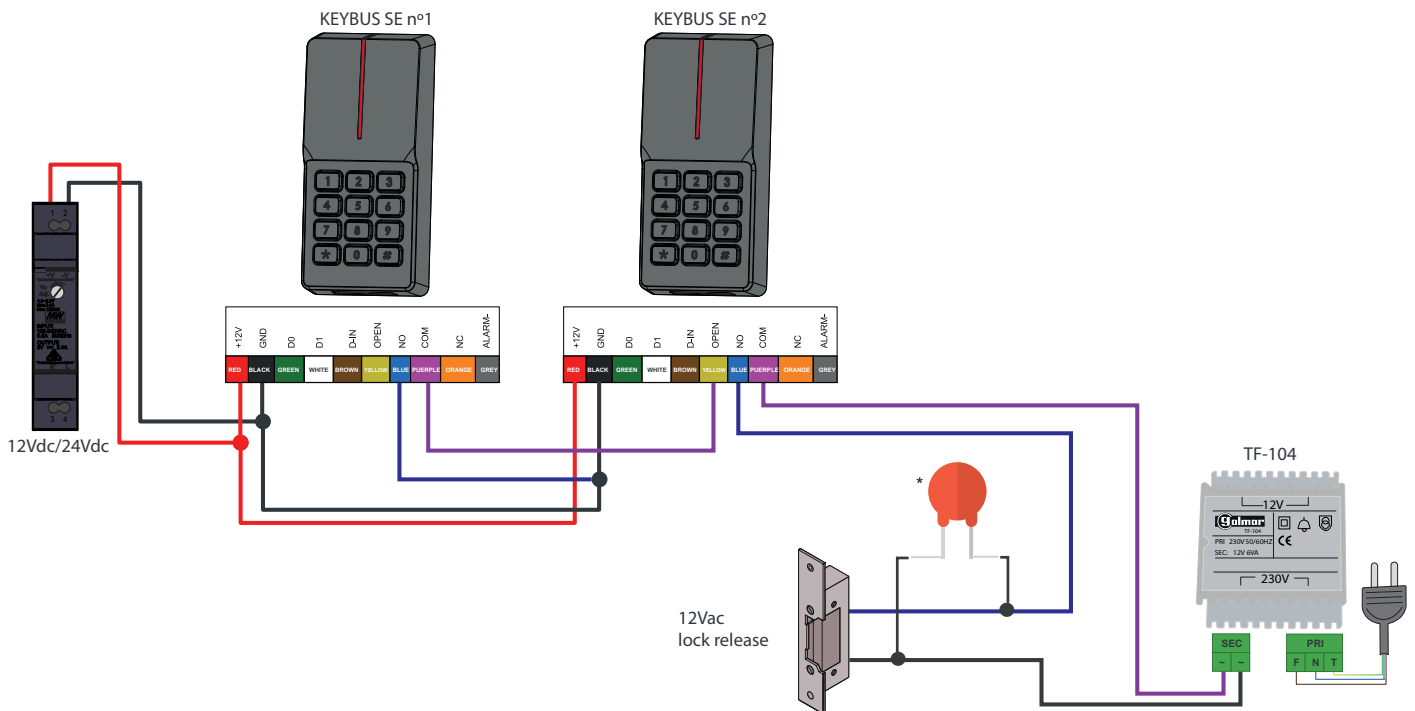
IMPORTANT: In case you are not familiar with the configuration of the iP O opener controllers, please refer to the quick configuration guide or the manual.

9.4. READER WITH AC DOOR LOCK RELEASE



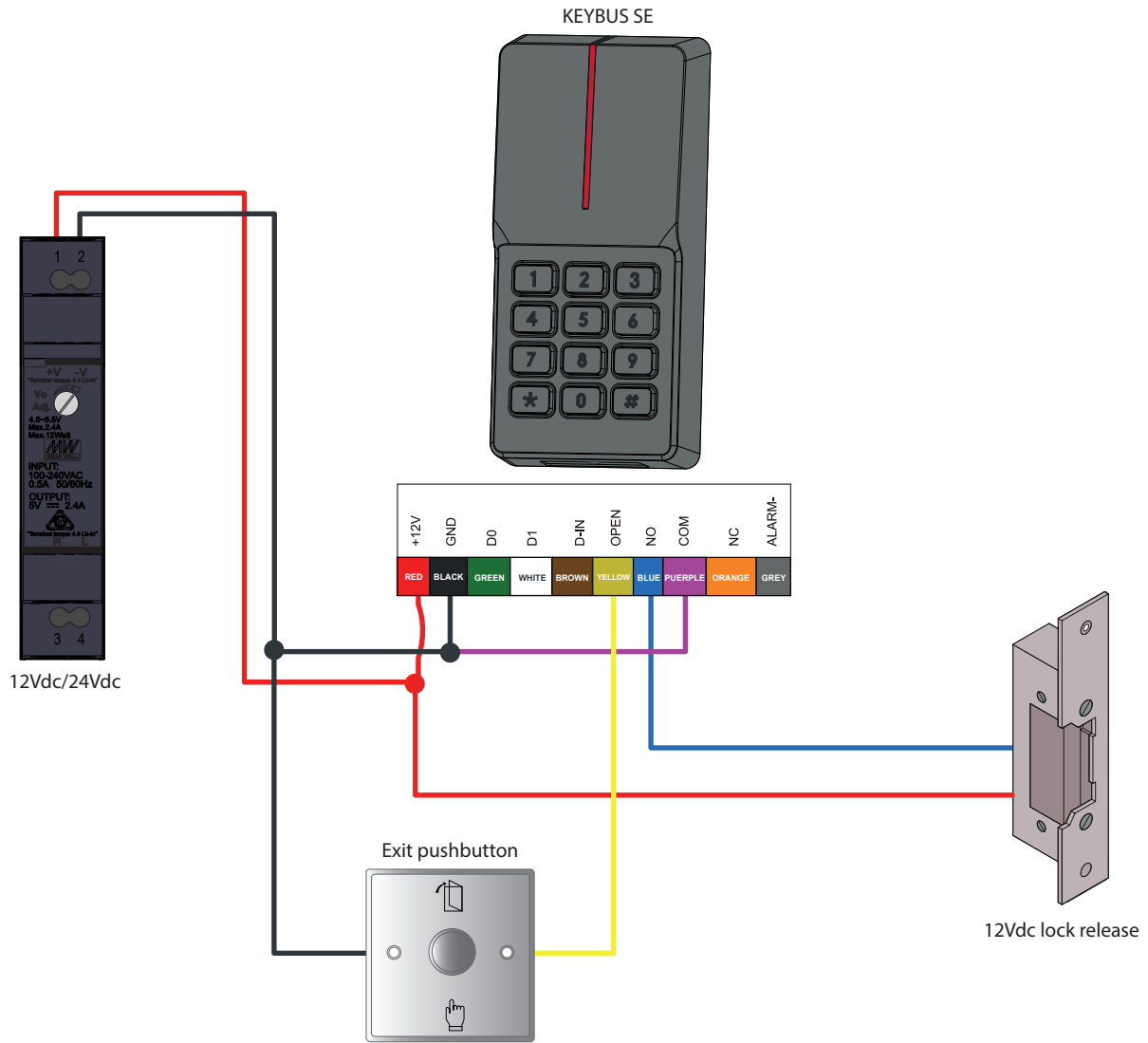
*It is recommended to use a protection diode in parallel to the lock release to avoid possible backflows that could damage the reader.

9.5.TWO READERS AND A SINGLE AC DOOR LOCK RELEASE



*It is recommended to use a protection diode in parallel to the lock release to avoid possible backflows that could damage the reader.

9.6. EXIT PUSHBUTTON





C/ Silici 13. Poligon Industrial Famadas
08940 – Cornellà del Llobregat – Spain
golmar@golmar.es
Tel: 93 480 06 96
www.golmar.es



Golmar deserves the right for any modification without prior notice.