



PROXEM



INSTALLATION MANUAL

IM_ENG_REV0126_PROXEM

1.TABLE OF CONTENTS

1.Table of contents.....	2
2.Introduction.....	3
3.Specifications.....	3
4.Product content.....	3
5.Installation.....	4
6.Connection.....	4
7.Basic programming.....	5
8.Advanced programming.....	5
8.1.Programming.....	5
8.1.1.Change master code.....	5
8.1.2.Card registration (auto ID).....	6
8.1.3.Card registration (specific ID).....	6
8.1.4.Card deletion (by card reading).....	6
8.1.5.Card deletion (specific ID).....	6
9.Other settings.....	6
9.1.Relay settings.....	6
9.1.1.Pulse mode.....	6
9.1.2.Latching mode.....	6
9.2.Lockout alarm.....	6
9.2.1.Lockout disabled.....	6
9.2.2.10-minute access lockout.....	7
9.2.3.Alarm.....	7
9.3.Buzzer settings.....	7
9.3.1.Buzzer activated.....	7
9.3.2.Buzzer deactivated.....	7
9.4.Reset to factory defaults.....	7
9.5.Deletion of all cards.....	7
10.Status displays.....	8
11.Connection diagrams.....	8
11.1.Connection diagram with DC lock release.....	8
11.2.Connection diagram with AC lock release.....	8
11.3.Connection diagram with intercom.....	9

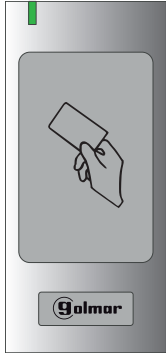


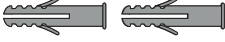



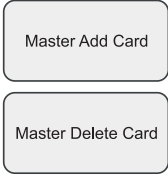
2.INTRODUCTION

Installation manual for the PROXEM reader, stand-alone proximity reader.

3.SPECIFICATIONS

Material	Zinc alloy
Protection degree	IP-66
Input voltage	9/18Vdc
Current	40mA
Capacity	2000 cards
Reading frequency	EM 125KHz
Reading range	3-6cm
Relay	NO, NC, common 2A max.
Dimension (H x W x D):	48(W) x 103(H) x 19(D)mm
Working temperature range:	-40 ~60° C

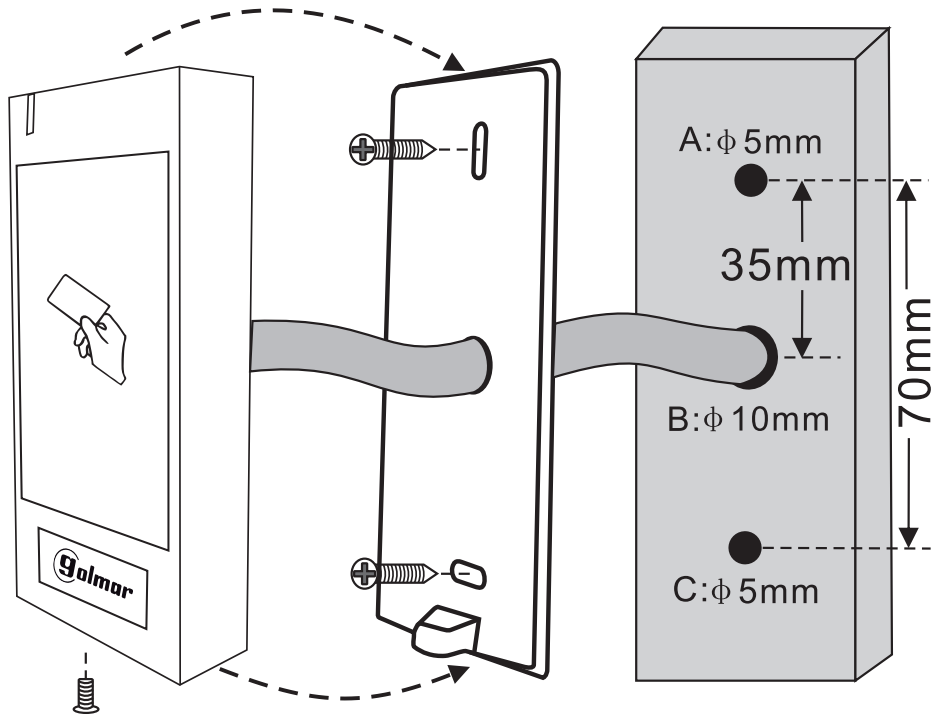
4.PRODUCT CONTENT

 <p>PROXEM reader</p>		Diode.
		Varistors.
		Fixing blocks.
		Screws.
		Allen key for fastening screws.
		Remote control for programming.
		MASTER programming card.

IMPORTANT:

Once the reader has been programmed, keep the master cards and the remote control in a safe place for future programming.

5.INSTALLATION



- 3** Attach the reader to the mounting rail from top to bottom. Once attached, fix the reader to the fixing base using the Allen key provided.
- 2** Pass the cable hose through the Φ 10mm hole in the central part of the fixing base and fix it to the wall with the screws provided.
- 1** Drill the fixing holes in the wall (A and C) and the cable hole (B), then fit the fixing blocks supplied.

IMPORTANT: The reader is equipped with an anti-tampering LDR sensor on the rear side:  . It is light-sensitive, so if light shines on the sensor after placing the reader, the tamper alarm will be triggered.

6.CONNECTION

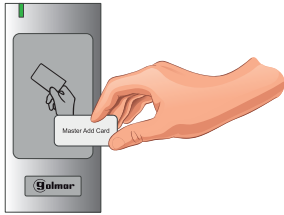
WIRE COLOR	FUNCTION	DESCRIPTION
Red	12Vdc	Input 9-18V DC current
Black	GND	GND
White	NO	Normally open relay output
Brown	Common	Common contact for relay output
Green	NC	Normally closed relay output
Yellow	Opening	Exit pushbutton

7. BASIC PROGRAMMING

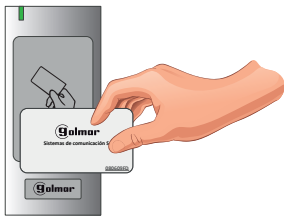
Basic programming (adding/deleting users) using the “Master Add Card” and “Master Delete Card” supplied with the product.

7.1. CARD REGISTRATION

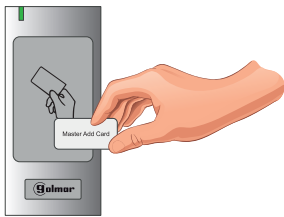
1) Approach the “Master Add Card” to the reader.



2) Approach the user card(s) or user card(s) to be registered.

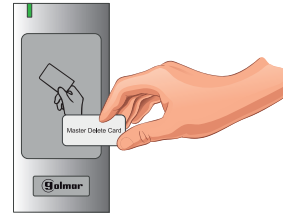


3) Approach the Master Add Card to the reader.

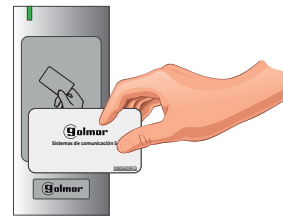


7.2. CARD DELETION

1) Approach the “Master Delete Card” to the reader.



2) Approach the user card(s) or user card(s) to be removed.



3) Approach the “Master Delete Card” to the reader.



8. ADVANCED PROGRAMMING

Advanced programming will require the use of the remote control:

- Remove the protective plastic from the battery before starting to use the remote control.
- Use the remote control in a position close to the reader and pointing at the LED (infrared receiver is located next to the LED).



8.1. PROGRAMMING

Perform the following sequence to enter programming:

Enter administrator mode		
*	MASTER CODE (By default: 123456)	#

IMPORTANT

The reader will indicate access to programming when the “green” LED lights up and then the LED will flash “red”. At the start of the programming sequence (function to be programmed) the led will be shown in “orange”.

To exit programming, press “*” and the reader will go to standby mode, status LED will be shown in “steady red”. In the case that no key presses are made, the reader automatically exits programming after 30 seconds.

Once in programming, carry out the desired programming sequence. The different system programming sequences are detailed below.

8.1.1. CHANGE MASTER CODE

It is advisable to modify the master code for this purpose:

Enter administrator code								
*	MASTER CODE	#	0	NEW MASTER CODE (6 DIGITS)	#	NEW MASTER CODE (6 DIGITS)	#	

Example: * 123456 # 0 987654 # 987654 #

8.1.2.CARD REGISTRATION (AUTO ID)

Registration of cards with automatic registration.

Enter administrator code		
*	MASTER CODE	#

1	APPROACH CARD	#
---	---------------	---

Example: * 987654 # 1 APPROACH CARD #

8.1.3.CARD REGISTRATION (SPECIFIC ID)

Maximum number of records is 2000. User IDs from 1 to 2000.

Enter administrator code		
*	MASTER CODE	#

1	USER ID (1-2000)	#
---	---------------------	---

APPROACH CARD	#
---------------	---

Example: * 987654 # 1 1 # APPROACH CARD #

IMPORTANT: do not type user IDs with zeros before the ID value.

8.1.4.CARD DELETION (BY CARD READING)

Erasing cards by approaching the card to be deleted.

Enter administrator code		
*	MASTER CODE	#

2	APPROACH CARD	#
---	---------------	---

Example: * 987654 # 2 APPROACH CARD #

8.1.5.CARD DELETION (SPECIFIC ID)

Enter the ID corresponding to the user to be deleted.

Enter administrator code		
*	MASTER CODE	#

2	ID DE USUARIO (1-2000)	#
---	---------------------------	---

Example: * 987654 # 2 1 #

9.OTHER SETTINGS

9.1. RELAY SETTINGS

9.1.1.PULSE MODE

Enter administrator code		
*	MASTER CODE	#

3	1-99	#
---	------	---

Example: * 987654 # 3 15 #

The pulse can be active from 1 to 99 seconds. In the example, the value 15 has been entered, so it would be active for 15 seconds.

Factory setting: 5 seconds.

9.1.2.LATCHING MODE

Enter administrator code		
*	MASTER CODE	#

3	0	#
---	---	---

Example: * 987654 # 3 0 #

The relay is switched to ON/OFF mode.

9.2. LOCKOUT ALARM

The lockout alarm will be activated after 10 unsuccessful attempts. The factory default is OFF, but can be set to deny access for 10 minutes or to activate the alarm after it is triggered.

9.2.1.Lockout disabled (factory setting)

Enter administrator code		
*	MASTER CODE	#

40	#
----	---

Example: * 987654 # 40 #

9.2.2.10-minute access lockout

Enter administrator code			
*	MASTER CODE	#	41 #

Example: * 987654 # 41 #

The led will start flashing and the equipment will be blocked for 10 minutes. To return to the normal state, wait 10 minutes or restart the reader.

9.2.3.Alarm

Enter administrator code			
*	MASTER CODE	#	42 #

Example: * 987654 # 42 #

In case of approaching a valid user card, “Master ADD” or “Master Delete” card the alarm will stop.

9.3. BUZZER SETTINGS

9.3.1. Buzzer activated (factory setting)

Enter administrator code			
*	MASTER CODE	#	64 #

Example: * 987654 # 64 #

9.3.2.Buzzer deactivated

Enter administrator code			
*	MASTER CODE	#	63 #

Example: * 987654 # 63 #

9.4. RESET TO FACTORY DEFAULTS

The reset restores the reader to factory defaults, resetting the configuration and the master code. User information will be preserved.

1. Turn off the power.
2. Press and hold the exit button*.
3. Turn on the power.
4. When 2 beeps are heard, release the output button*.
5. The LED will light up **yellow**.
6. Approach a 125KHz card through the reader. The first one will be ADD Master.
7. Approach a second 125KHz card through the reader. This second one will be DELETE Master.
8. The light will illuminate **red** and the equipment will be reset to factory defaults..

*It requires to have connected the output push button, the **yellow** (OPEN) and the black wire (GND).

NOTE

This process generates a Master ADD card and a Master DELETE card replacing the previous ones.

9.5. DELETION OF ALL CARDS

Enter administrator code			
*	MASTER CODE	#	2 MASTER CODE #

Example: * 987654 # 2 987654 #

IMPORTANT:

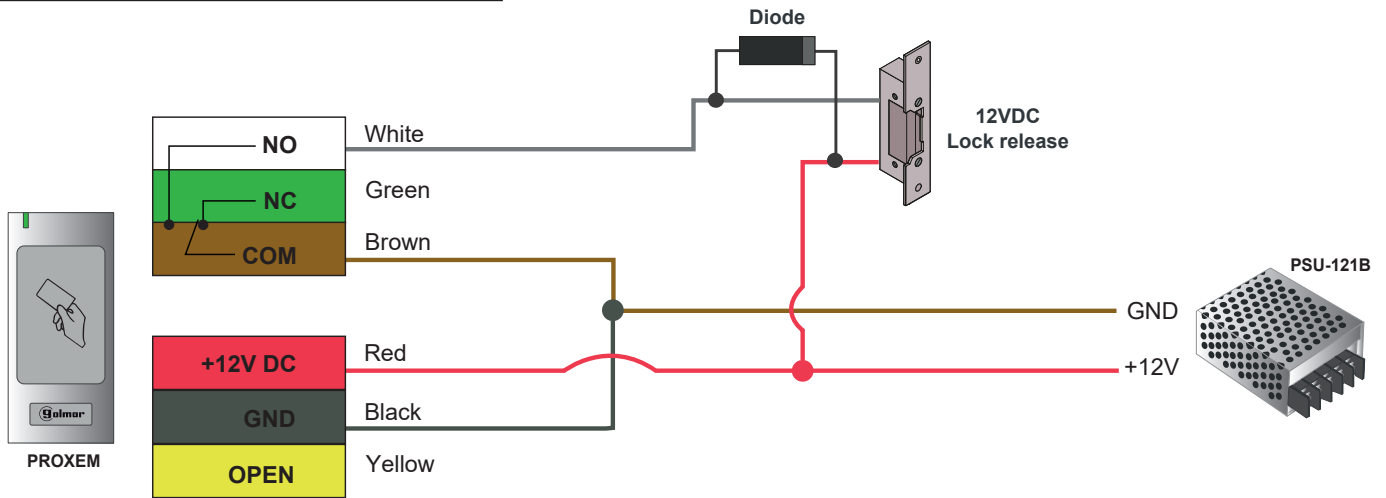
Before performing this function, make sure that it is OK to REMOVE all previously registered users.

10.STATUS DISPLAYS

OPERATING STATUS	COLOR LED	BUZZER
Stand by	Red	-
Enter programming mode	Flashing red	Short beep
n programming mode	Orange	Short beep
Operation error	-	3 beeps
Exit programming mode	Red	Short beep
Door open	Green	Short beep
Alarm	Flashing red	Beeps

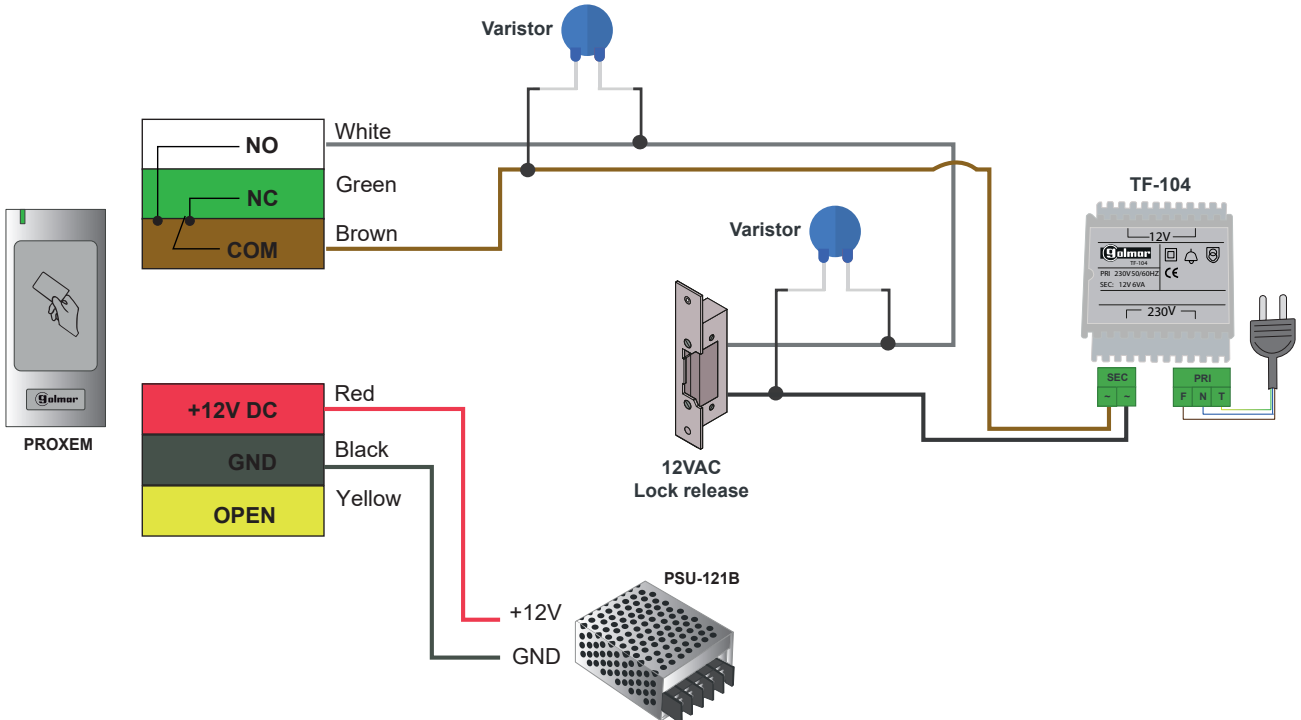
11.CONNECTION DIAGRAMS

11.1. CONNECTION DIAGRAM WITH DC LOCK RELEASE



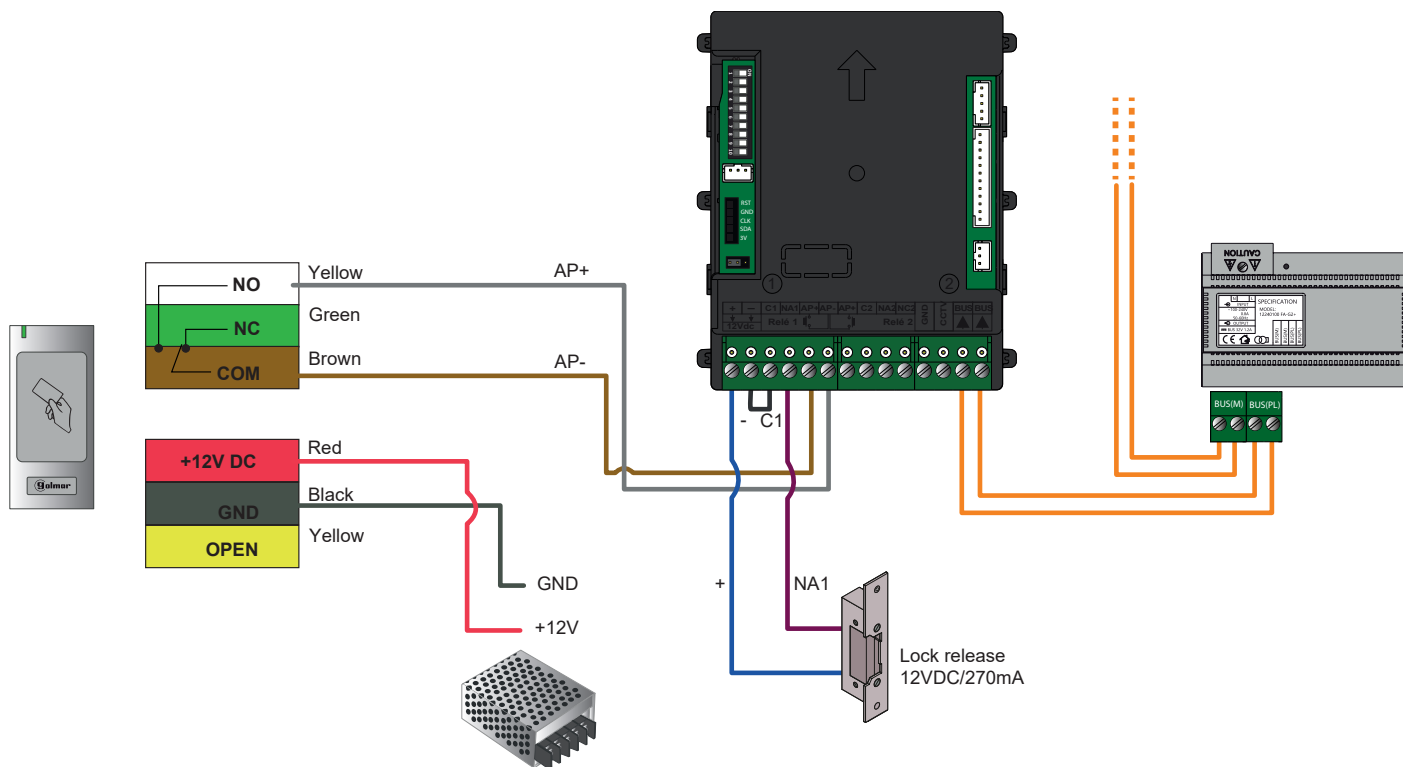
IMPORTANT: Do not forget to connect the supplied diode in parallel to the lock release to protect the equipment.

11.2. CONNECTION DIAGRAM WITH AC LOCK RELEASE



IMPORTANT: Golmar recommends using DC lock releases, as connecting an AC lock release may cause high voltage spikes that could damage the device or cause it to malfunction. However, in the event the AC lock release is used, protect the equipment by fitting a varistor to the relay contact output and another in parallel with the lock release.

11.3. CONNECTION DIAGRAM WITH INTERCOM



NOTE: The AP (door release) of the intercom does not activate the door opener until the pulse of the PROXEM reader has finished. To avoid opening delays, set the minimum pulse to 1 second on the reader:

Enter administrator code		
*	MASTER CODE	#
3	1	#



C/ Silici 13. Poligon Industrial Famadas
08940 – Cornellà del Llobregat – Spain
golmar@golmar.es
Tel: 93 480 06 96
www.golmar.es



Golmar deserves the right for any modification without prior notice.