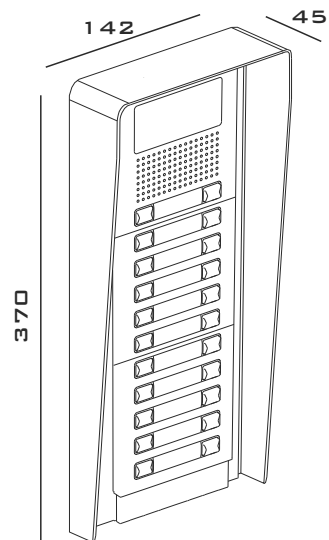


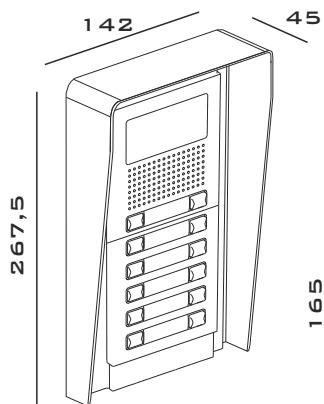
# VISERA NEXA NEXA RAIN SHIELD



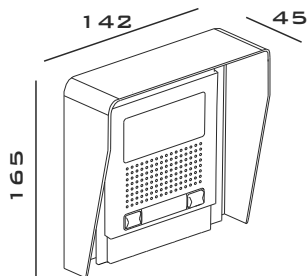
REV.0116



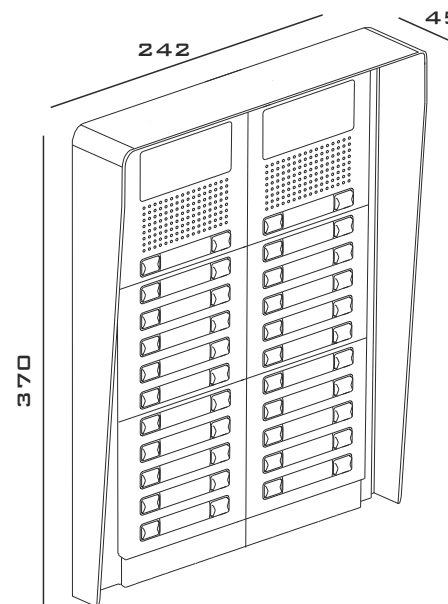
REF. N731/AL



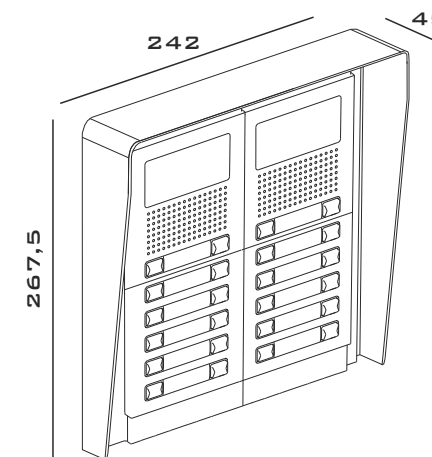
REF. N721/AL



REF. N711/AL

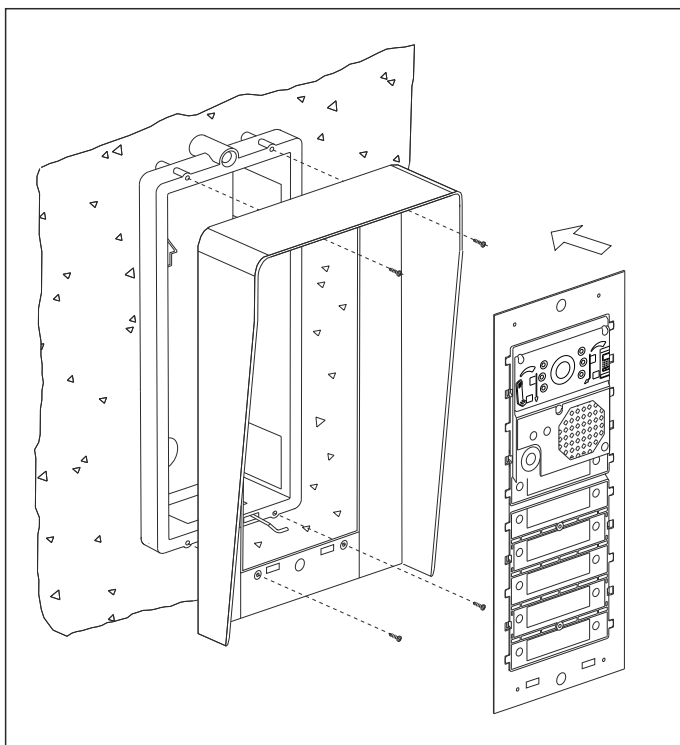


REF. N732/AL

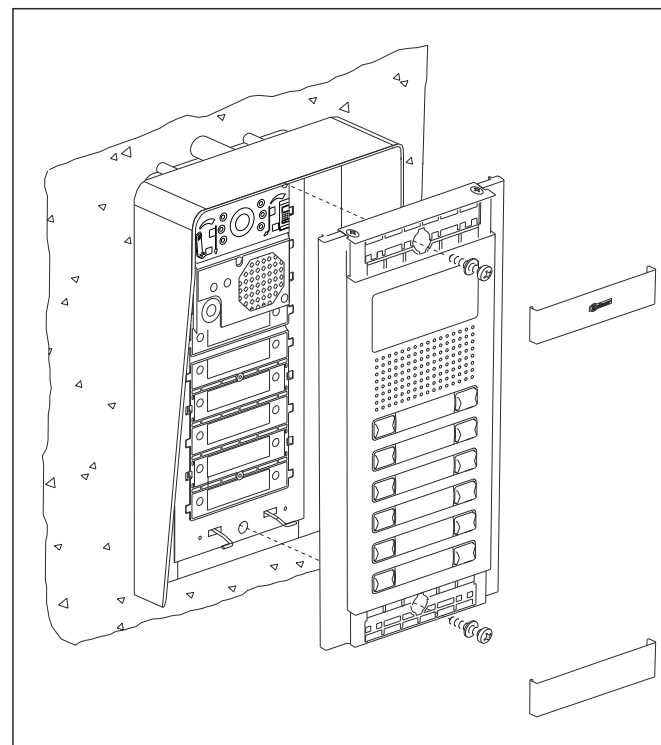


REF. N722/AL

**1. COLOCAR VISERA**  
1. FIX THE RAIN SHIELD



**2. COLOCAR PLACA**  
2. FIX THE PANEL



Cód. 50122118