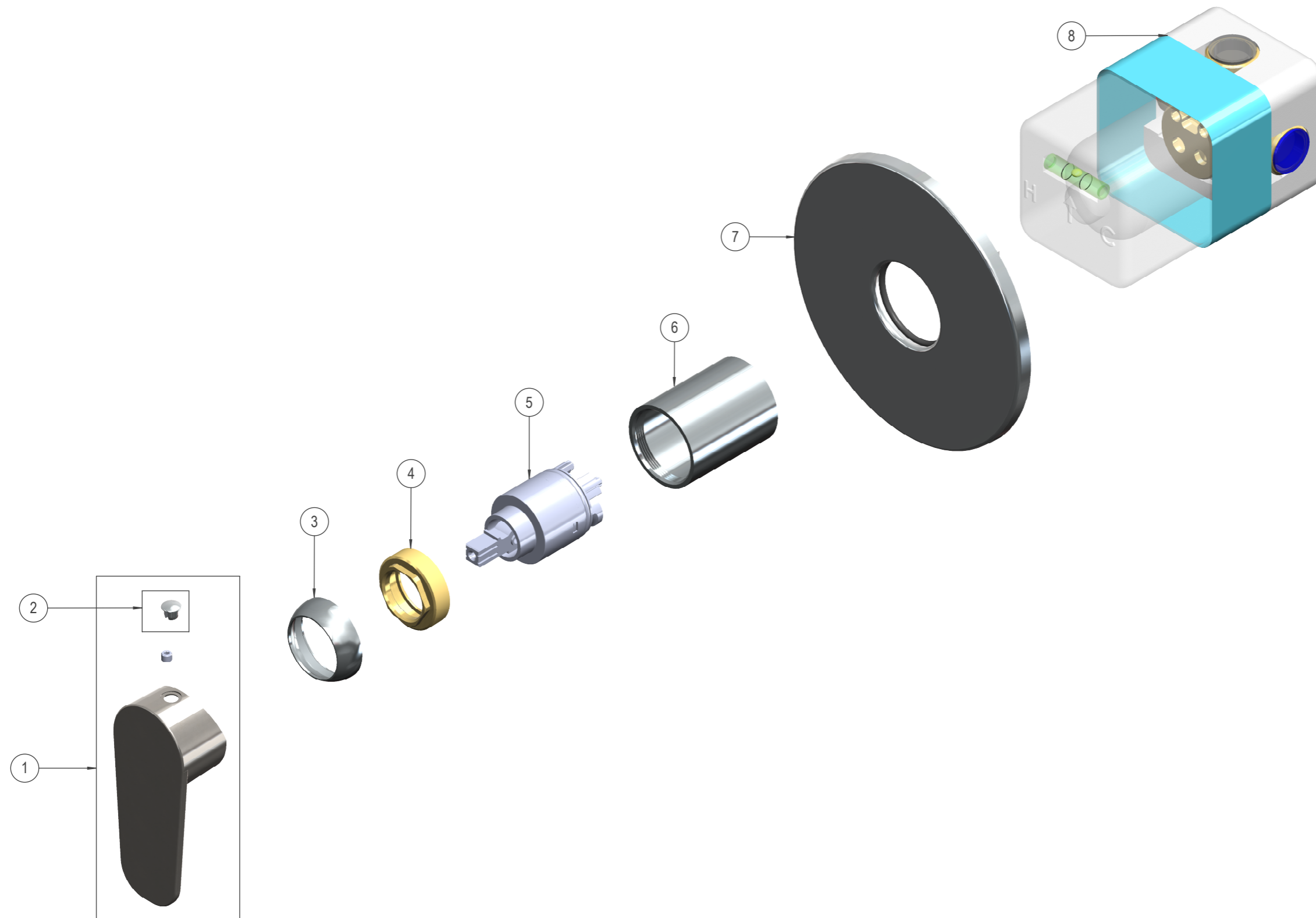


8	AAZ301876	XX1801 SHOWER WALL-MOUNTED 1w S2 WITH BOX
7	AAD300944	R1 WALL STAMPING PLATE 1 WAY
6	AAZ302079	CEMP3503 CARTRIDGE Ø35 SHIRT CONCEALED 1WAY
5	252204	35100 (6689-2) CARTRIDGE FREE STANDARD Ø35 S2
4	250863	TSC351 (TSC9) FIXING NUT BATH KUATRO NK
3	252834	4980 COVER FOR CARTRIDGE 35000. 35000-2 & 35000-3
2	69Z300960	6900N-35 CHROME HANDLE VULCANO IN BAG
1	252825	DT1-CN INDEX CHROMED NEUTRAL
Nº	Reference	Denomination



Ramon Soler®

691801 S SHOWER CONCEALED 1 WAY S2 VULCANO

Drawn:
C. Rosas

Approved:
J. Romero

69D300669