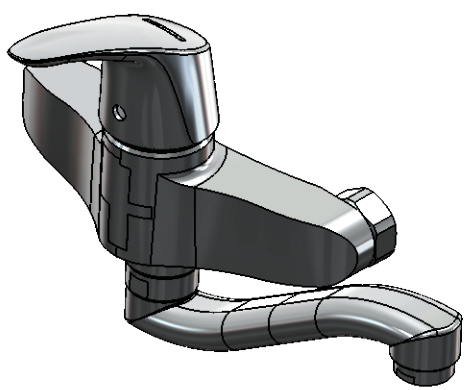
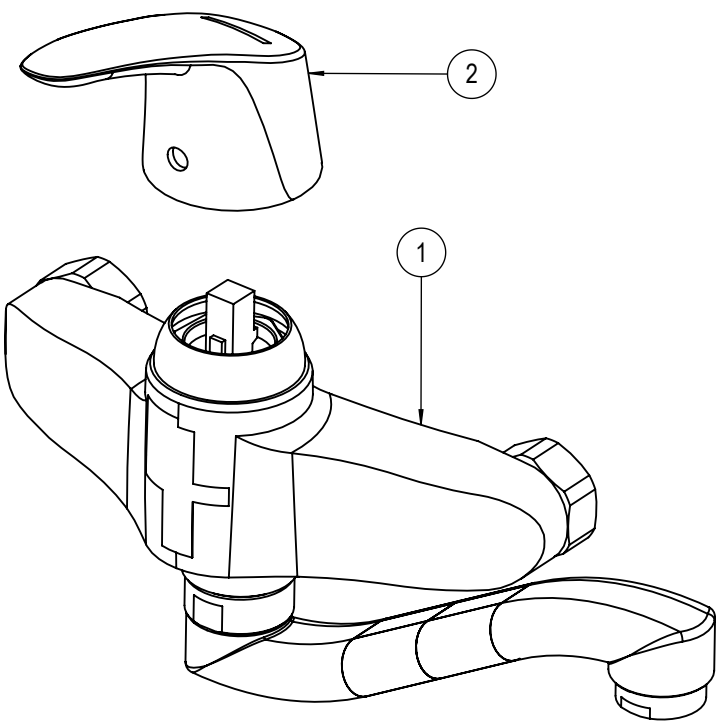

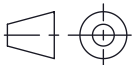


8 7 6 5 4 3 2 1

F
E
D
C
B
A



| 2 | 1 | LRHM0101 | HANDLE MARKED RAMON SOLER Ø35 VULCANO (6900-35) | | | |
|---------------------------------------|---------------------------------|-------------------|---|--------------------|---|----------------------------|
| 1 | 1 | XBSM0166 | XX07 CCB14 WALL SINK W/H | | | |
| Nº | Qty | Reference | Denomination | | Material | Finish |
| Denomination | | | | |  www.ramonsoler.net | |
| 690702 CCB14 WALL SINK VULCANO | | | | | | |
| Realized | J. Romero | 12/12/2018 | Material | | Page 1/1 | Ref. RSB |
| Approved | | | Weight | 1110.02 grs | Sheet A4 | |
| Scale 1:2 | General tolerances according to | | | |  | Reference 69E301667 |

8 7 6 5 4 3 2 1