

REBA 50 /T EXT Line | REBA 65 /T EXT Line (CORNER HRZ/VRT)

EN INSTALLATION INSTRUCTIONS**FR** NOTICE DE MONTAGE**DE** MONTAGEANLEITUNG**PT** INSTRUÇÕES DE MONTAGEM**ES** INSTRUCCIONES DE MONTAJE

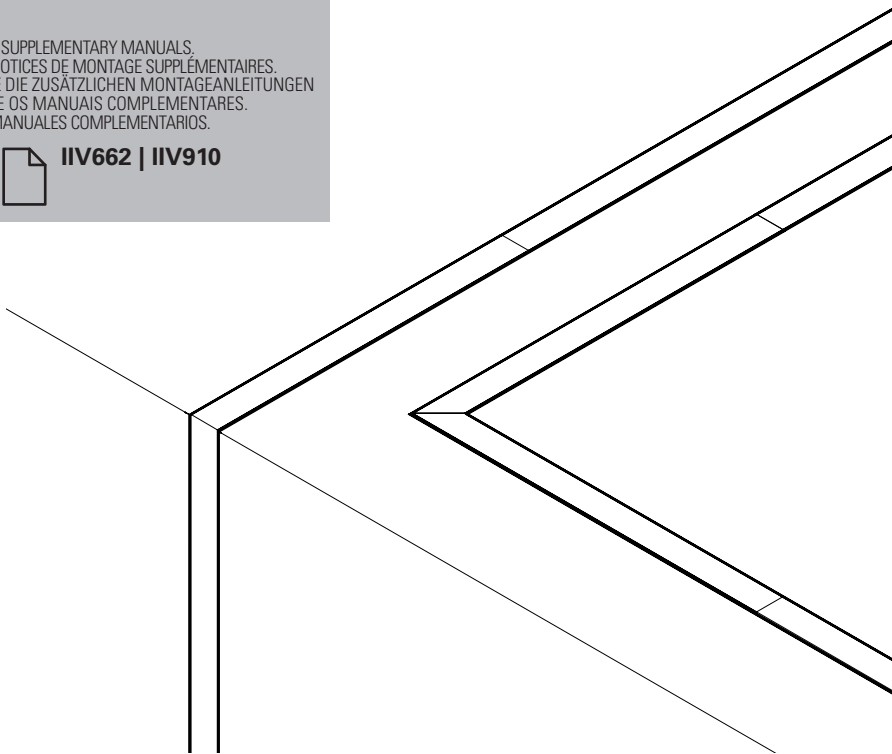
IIV676



EN READ THE SUPPLEMENTARY MANUALS.
FR LIRE LES NOTICES DE MONTAGE SUPPLÉMENTAIRES.
DE LESEN SIE DIE ZUSÄTZLICHEN MONTAGEANLEITUNGEN
PT CONSULTE OS MANUAIS COMPLEMENTARES.
ES LEA LOS MANUALES COMPLEMENTARIOS.



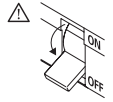
IIV662 | IIV910



Order code / Code com. / Bestell-Nr. / Código / Código: 90507H... | 90511H... | 90507V... | 90511V...

**EN** Carefully read the installation instructions provided before installing the device. Safety and Maintenance: Scan here. |**FR** Lire attentivement les notices de montage avant l'installation de l'appareil. Sécurité et Entretien: Sancez ici. |**DE** Bitte lesen die mitgelieferte Montageanleitung vor de Montage des Geräts. Sicherheit und Wartung: Hier scannen. |**PT** Leia atentamente as instruções de montagem fornecidas antes de instalar o aparelho. Segurança e Manutenção: Scan aqui. |**ES** Lea atentamente las instrucciones de montaje proporcionadas antes de instalar el aparato. Seguridad y Mantenimiento: Escanea aqui. |

REBA 50 /T EXT Line | REBA 65 /T EXT Line (CORNER HRZ/VRT)

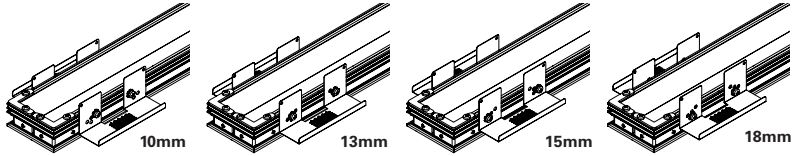


REBA 50 /T EXT Line

START/END		MID		HORIZONTAL CORNER (HRZ)		VERTICAL CORNER (VRT)	
(mm)		(mm)		(mm)		(mm)	
580x70x114	581x72	562x70x114	562x72	611x611x114	612x72	569x569x114	534x72
860x70x114	861x72	842x70x114	842x72				
1140x70x114	1141x72	1122x70x114	1122x72				
1420x70x114	1421x72	1402x70x114	1402x72				
1700x70x114	1701x72	1682x70x114	1682x72				
1982x70x114	1983x72	1964x70x114	1964x72				
2262x70x114	2263x72	2244x70x114	2244x72				
2542x70x114	2543x72	2524x70x114	2524x72				
2822x70x114	2823x72	2804x70x114	2804x72				

REBA 65 /T EXT Line

START/END		MID		HORIZONTAL CORNER (HRZ)		VERTICAL CORNER (VRT)	
(mm)		(mm)		(mm)		(mm)	
580x85x124	581x87	562x85x124	562x87	618x618x124	619x87	559x559x124	524x87
860x85x124	861x87	842x85x124	842x87				
1140x85x124	1141x87	1122x85x124	1122x87				
1420x85x124	1421x87	1402x85x124	1402x87				
1700x85x124	1701x87	1682x85x124	1682x87				
1982x85x124	1983x87	1964x85x124	1964x87				
2262x85x124	2263x87	2244x85x124	2244x87				
2542x85x124	2543x87	2524x85x124	2524x87				
2822x85x124	2823x87	2804x85x124	2804x87				



TOOLS | OUTILS | WERKZEUG | FERRAMENTAS | HERRAMIENTAS

Umbrako
Phillips screwdriver

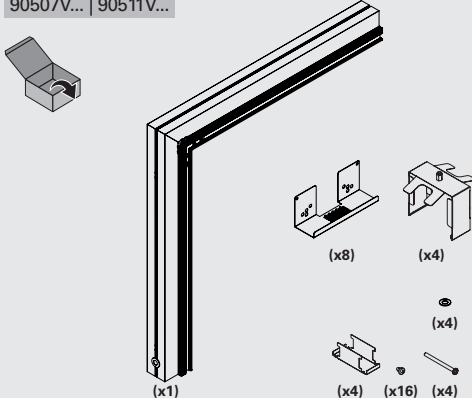


EN USE GLOVES.
FR UTILISEZ DES GANTS.
DE HANDSCHUHE BENUTZEN.
PT UTILIZE LUVAS.
ES USE GUANTES.



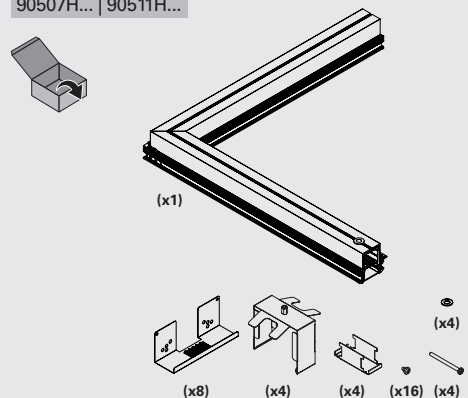
REBA 50 /T LINE | REBA 65 /T LINE (VRT)

90507V... | 90511V...



REBA 50 /T LINE | REBA 65 /T LINE (HRZ)

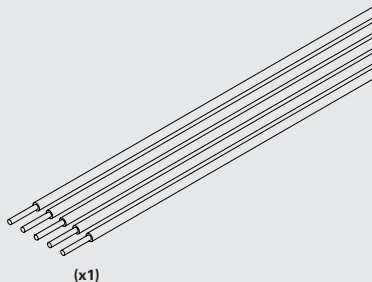
90507H... | 90511H...



THROUGH-WIRING
CÂBLAGE TRAVERSANT
DURCHGANGSVERDRAHTUNG
CABLAGEM LINHA CONTÍNUA
CABLEADO PARA LÍNEA CONTINUA

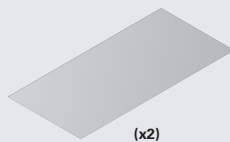
9456... | 9457... | 9480... | 9481... | 9482...

+ 
IIV630

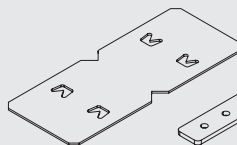


BODY CONNECTOR KIT
KIT UNION
VERBINDUNGS KIT
KIT DE UNIÃO
KIT DE UNIÓN

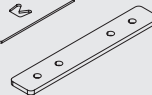
932130 | 932220



(x8)



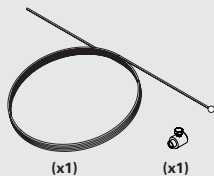
(x2)



(x2)

SAFETY CABLE OPTION
OPTION FILIN D'ACIER
OPTIONEN STAHL SICHERHEITSKABEL
OPÇÃO CABO DE SEGURANÇA
OPCIÓN CABLE DE SEGURIDAD

955000



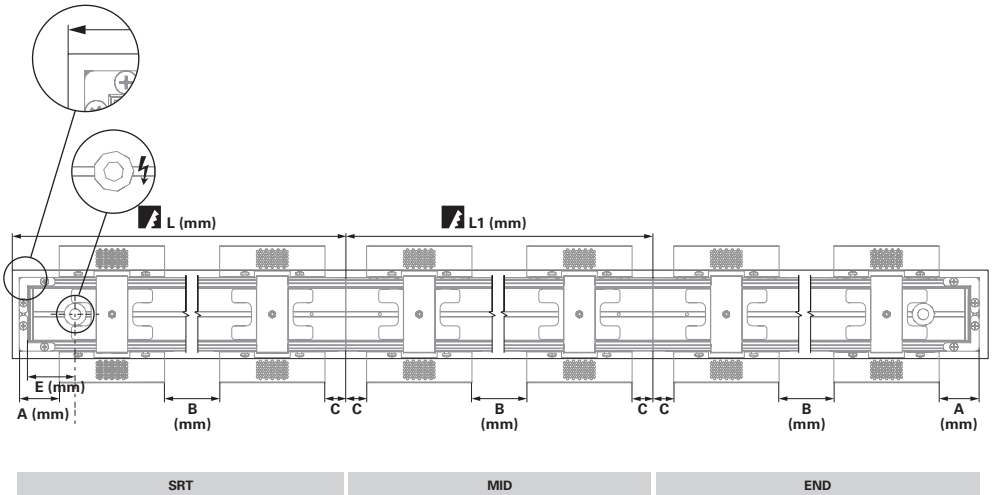
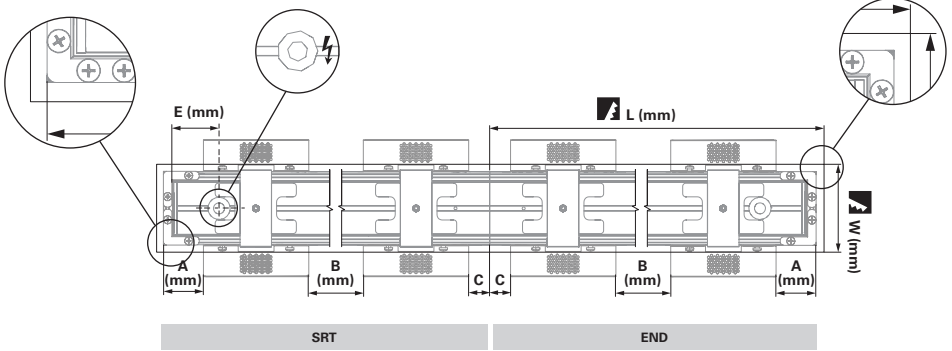
(x1)

(x1)

LINE (TOP VIEW)

REBA 50 /T EXT Line				BRACKETS DISTANCE				
Srt/End	L	Mid	L1	W	E	A	B	C
580x70x114	581	562x70x114	562				-	
860x70x114	861	842x70x114	842				-	
1140x70x114	1141	1122x70x114	1122				-	
1420x70x114	1421	1402x70x114	1402	72	46	38	-	20
1700x70x114	1701	1682x70x114	1682				-	
1982x70x114	1983	1964x70x114	1964				812	
2262x70x114	2263	2244x70x114	2244				952	
2542x70x114	2543	2524x70x114	2524				1092	
2822x70x114	2823	2804x70x114	2804				1232	

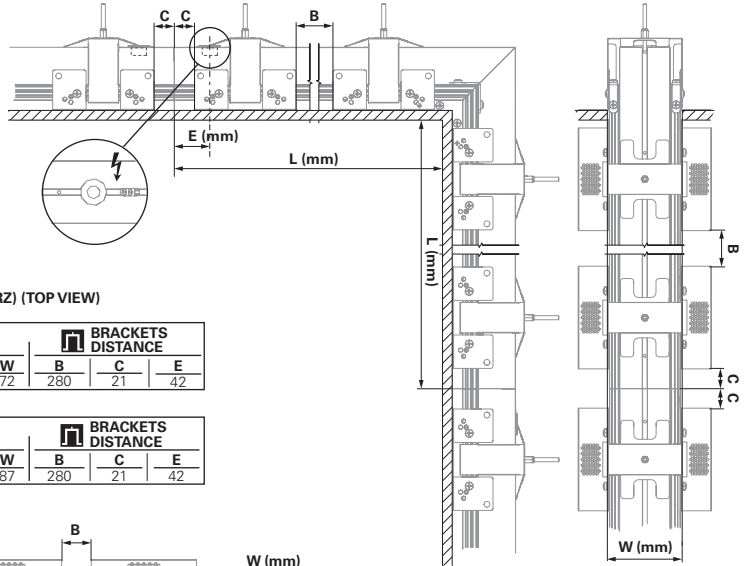
REBA 65 /T EXT Line				BRACKETS DISTANCE				
Srt/End	L	Mid	L1	W	E	A	B	C
580x85x124	581	562x85x124	562				-	
860x85x124	861	842x85x124	842				-	
1140x85x124	1141	1122x85x124	1122				-	
1420x85x124	1421	1402x85x124	1402	87	46	38	-	20
1700x85x124	1701	1682x85x124	1682				-	
1982x85x124	1983	1964x85x124	1964				812	
2262x85x124	2263	2244x85x124	2244				952	
2542x85x124	2543	2524x85x124	2524				1092	
2822x85x124	2823	2804x85x124	2804				1232	



VERTICAL CORNER (VRT) (SIDE AND FRONT VIEW)

REBA 50 /T EXT Line			BRACKETS DISTANCE		
VRT Corner	L	W	B	C	E
569x569x114	534	72	305	21	42

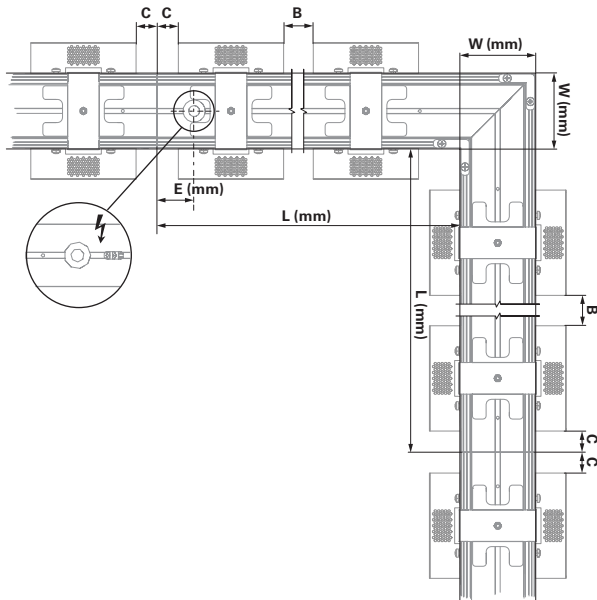
REBA 65 /T EXT Line			BRACKETS DISTANCE		
VRT Corner	L	W	B	C	E
559x559x124	524	87	305	21	42



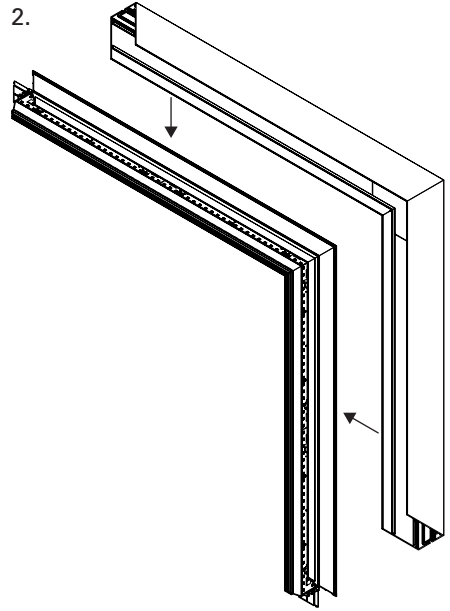
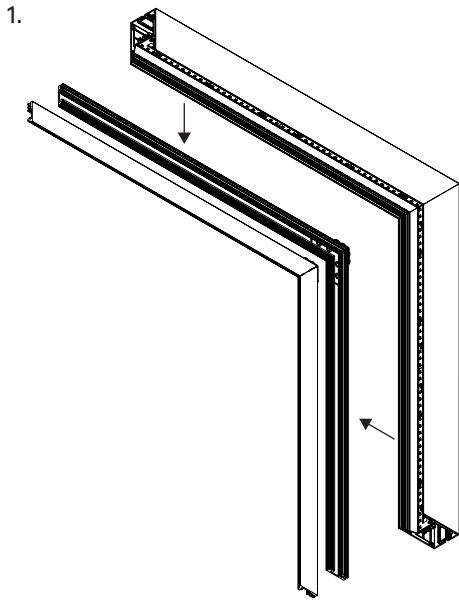
HORIZONTAL CORNER (HRZ) (TOP VIEW)

REBA 50 /T EXT Line			BRACKETS DISTANCE		
VRT Corner	L	W	B	C	E
611x611x114	612	72	280	21	42

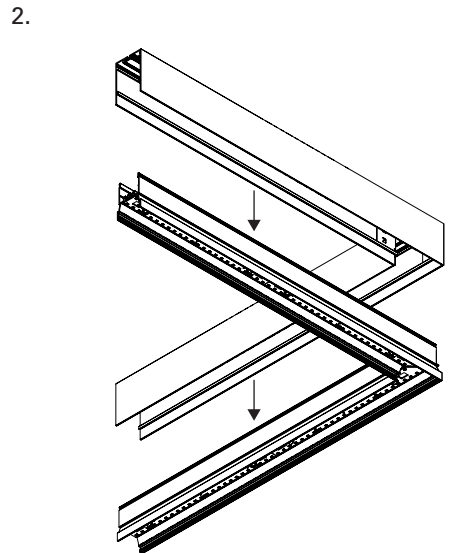
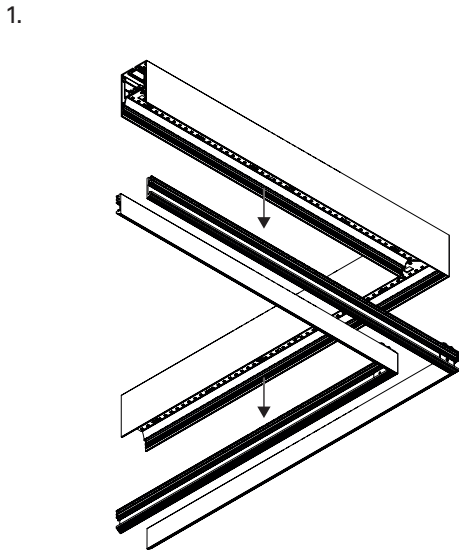
REBA 65 /T EXT Line			BRACKETS DISTANCE		
VRT Corner	L	W	B	C	E
618x618x124	619	87	280	21	42



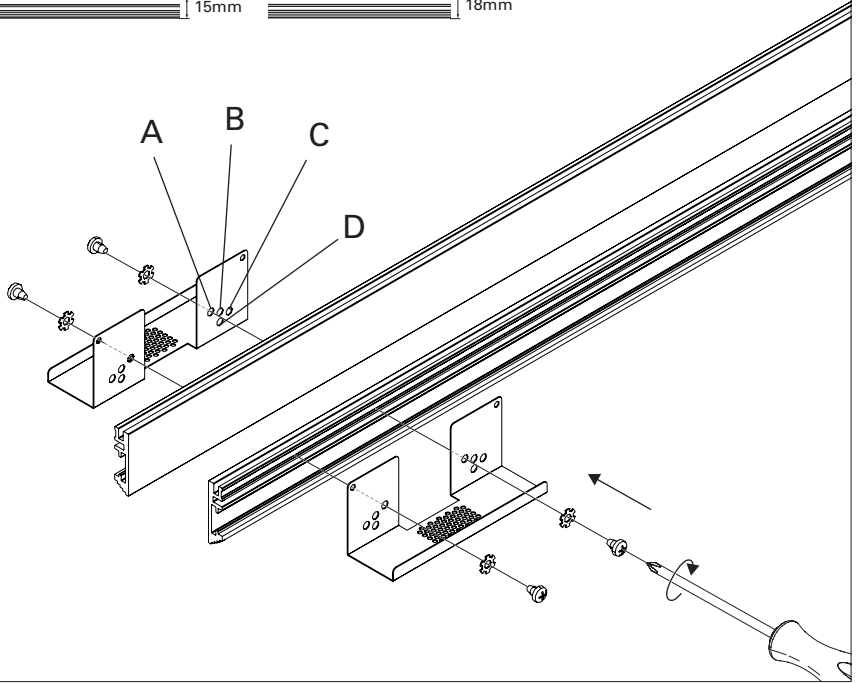
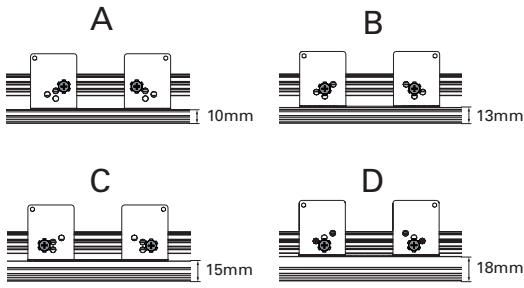
1 - VRT



HRZ

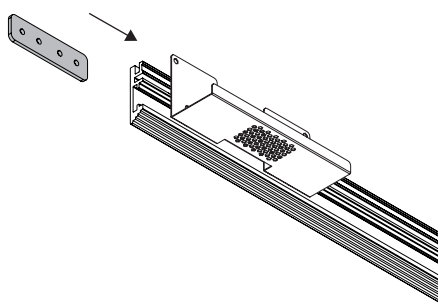


2

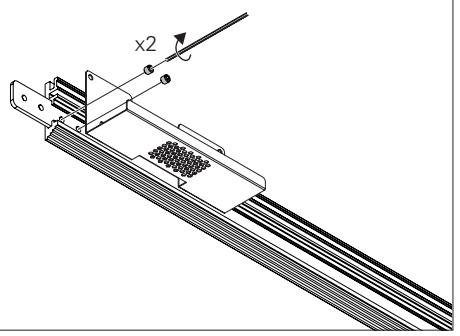


3

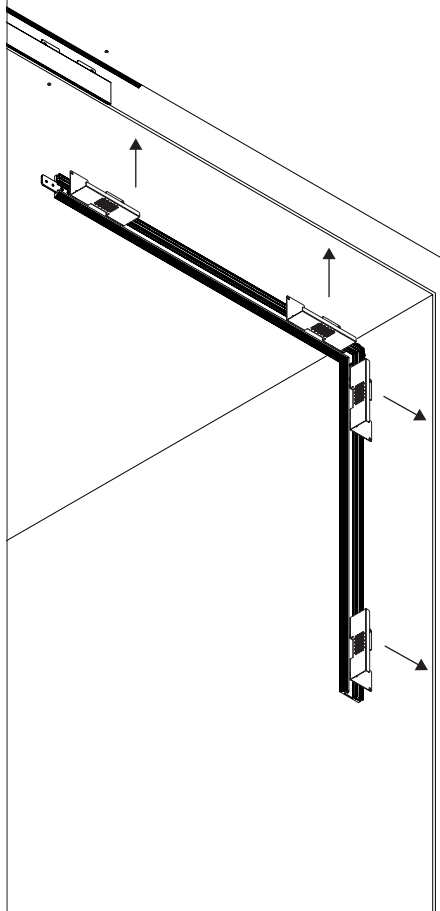
1.



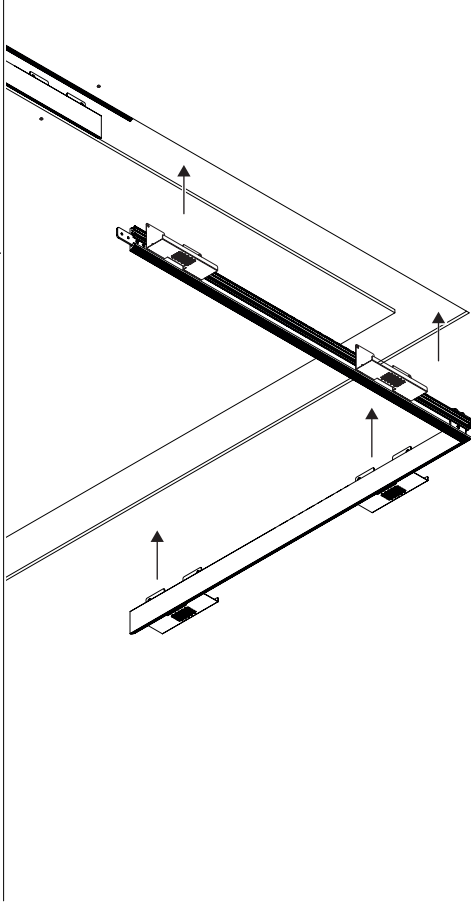
2.



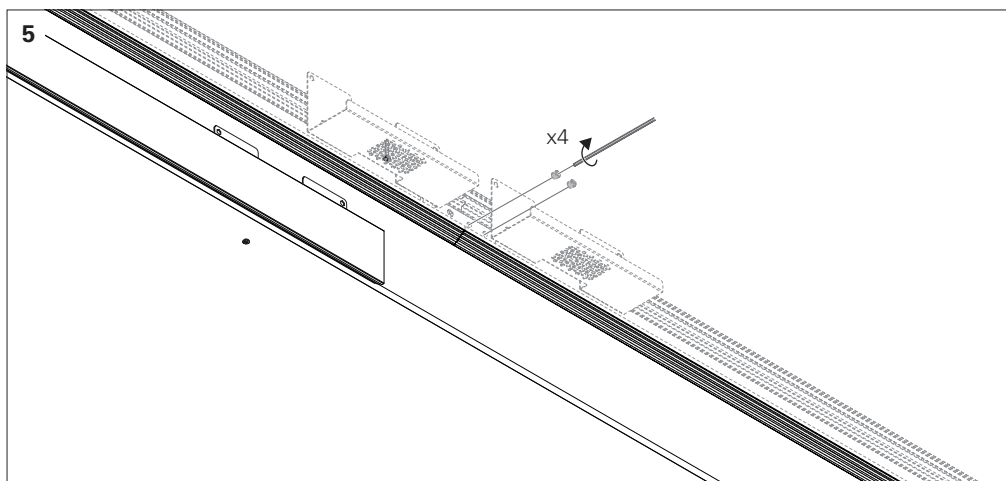
4 - VRT



HRZ

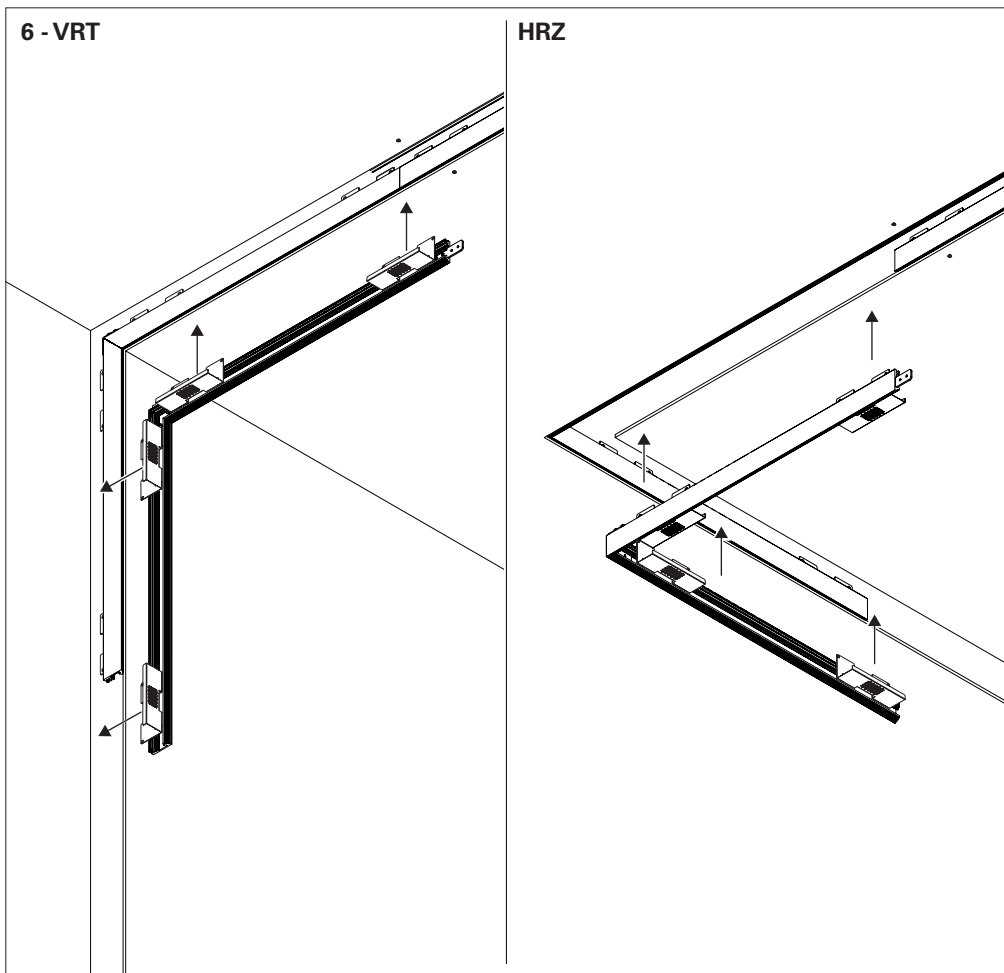


5

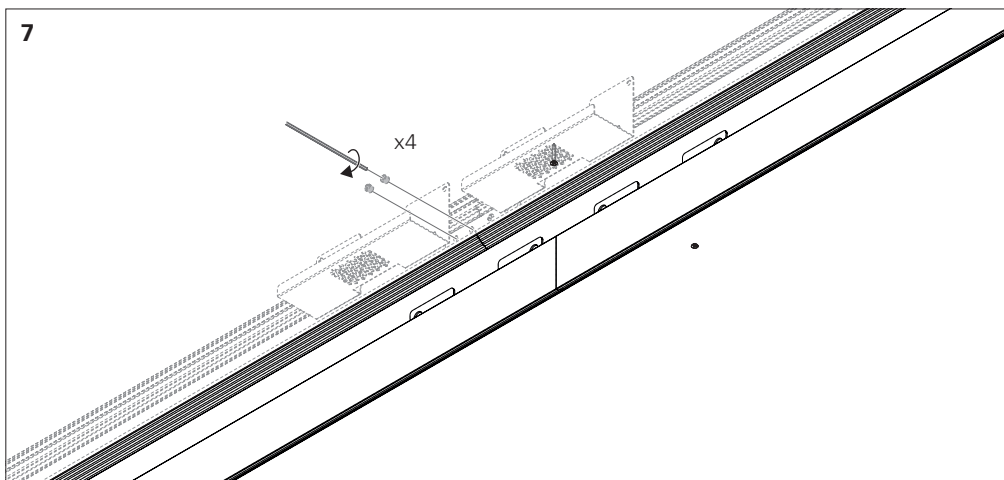


6 - VRT

HRZ

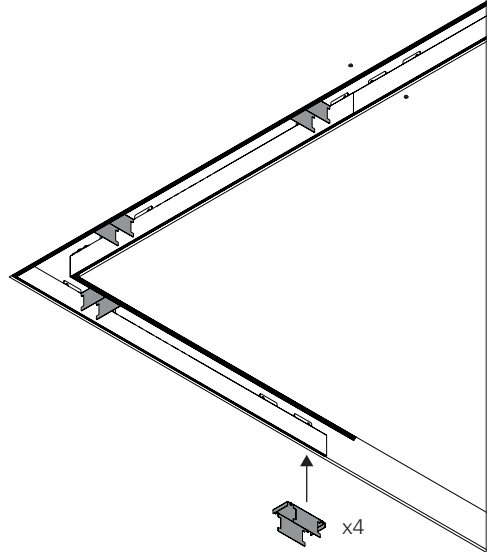
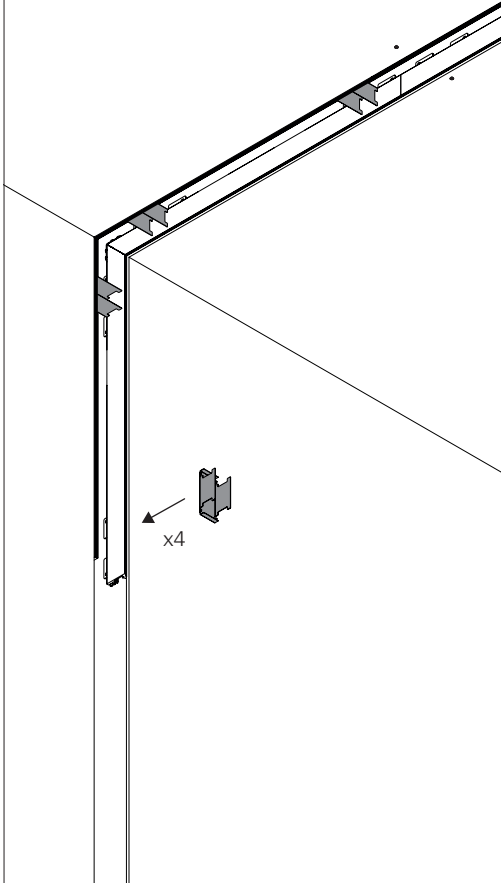


7



8 - VRT

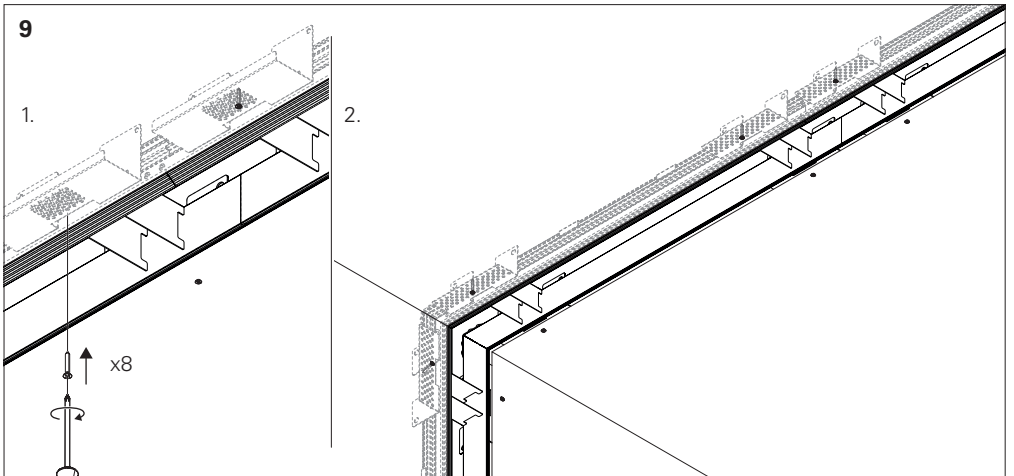
HRZ



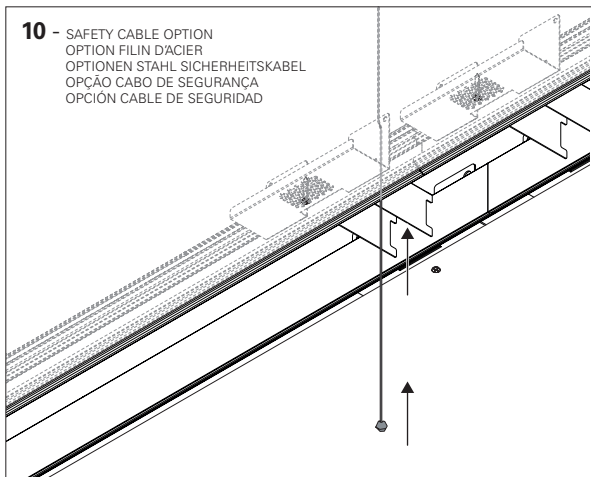
9

1.

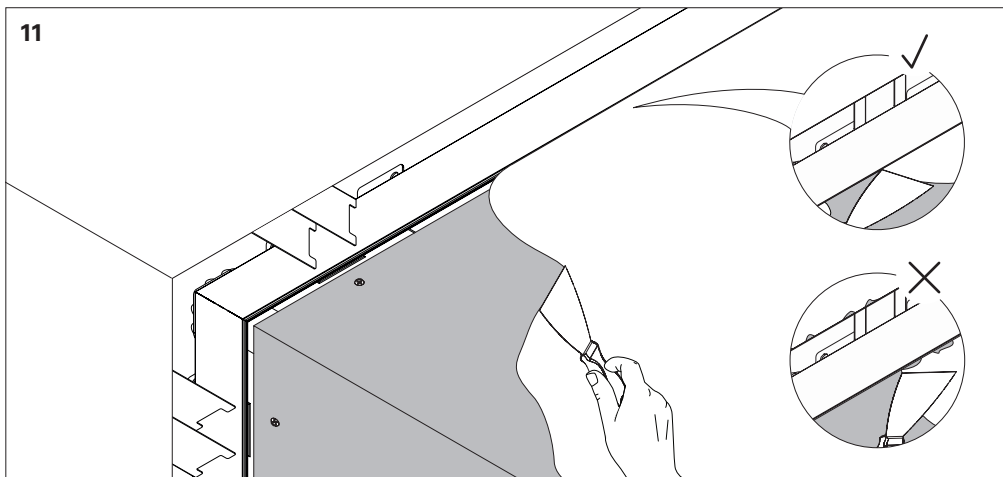
2.



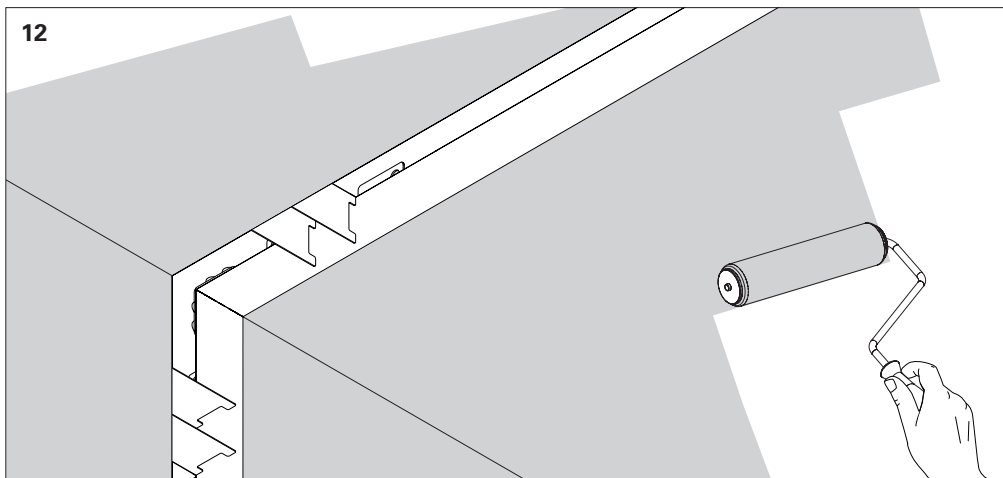
10 - SAFETY CABLE OPTION
OPTION FILIN D'ACIER
OPTIONEN STAHL SICHERHEITSKABEL
OPÇÃO CABO DE SEGURANÇA
OPCIÓN CABLE DE SEGURIDAD



11

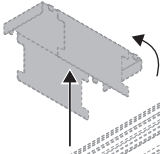


12

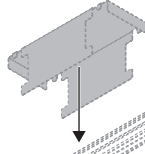


13

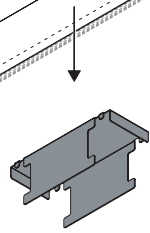
1.



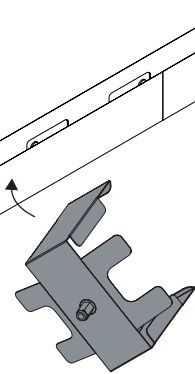
2.



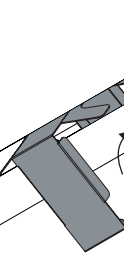
3.

**14**

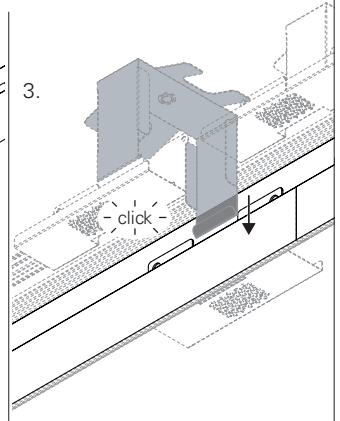
1.



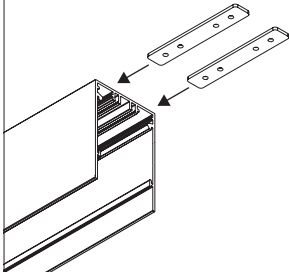
2.



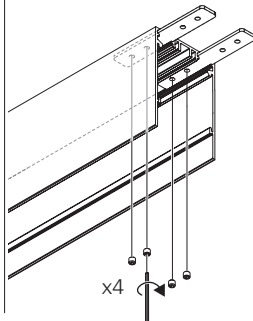
3.

**15**

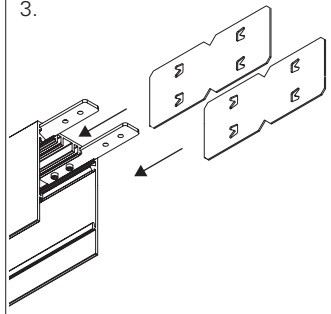
1.



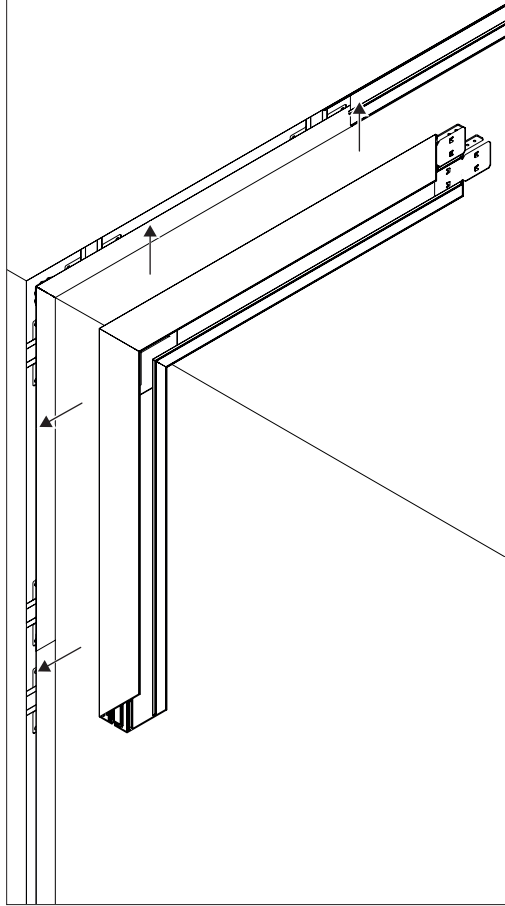
2.



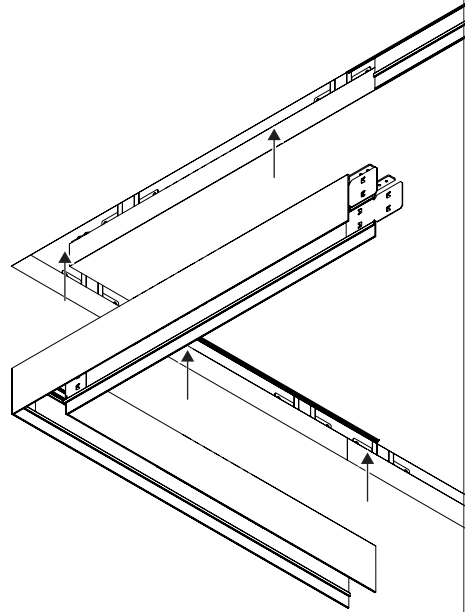
3.



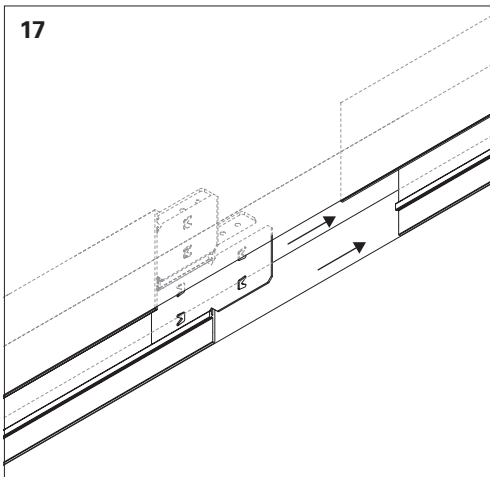
16 - VRT



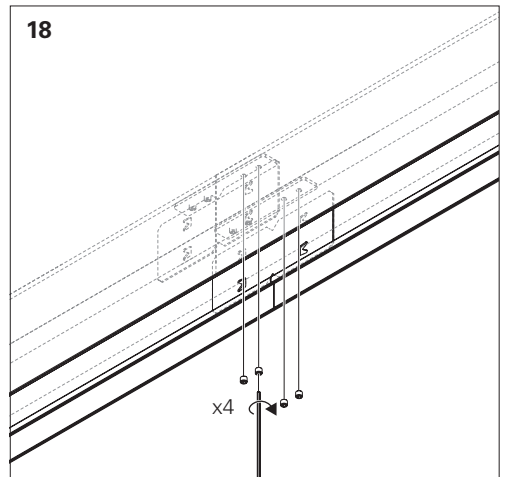
HRZ



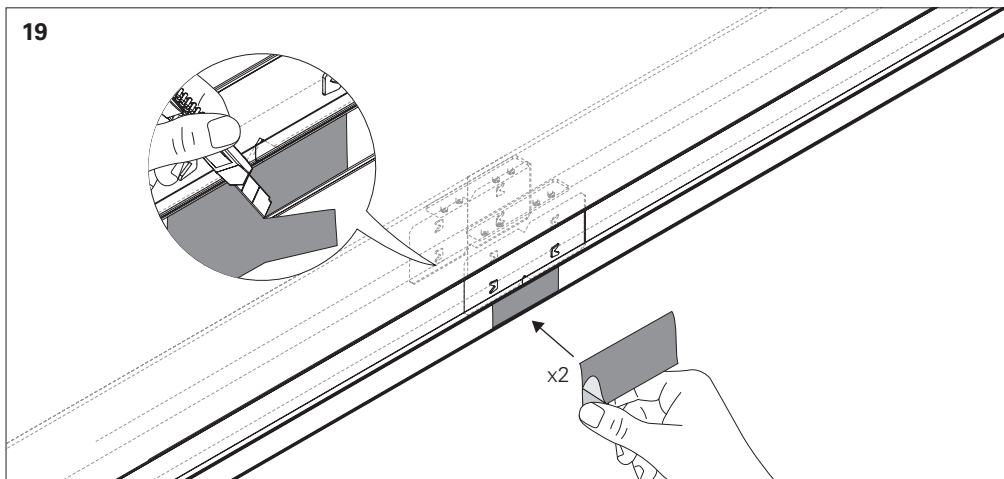
17



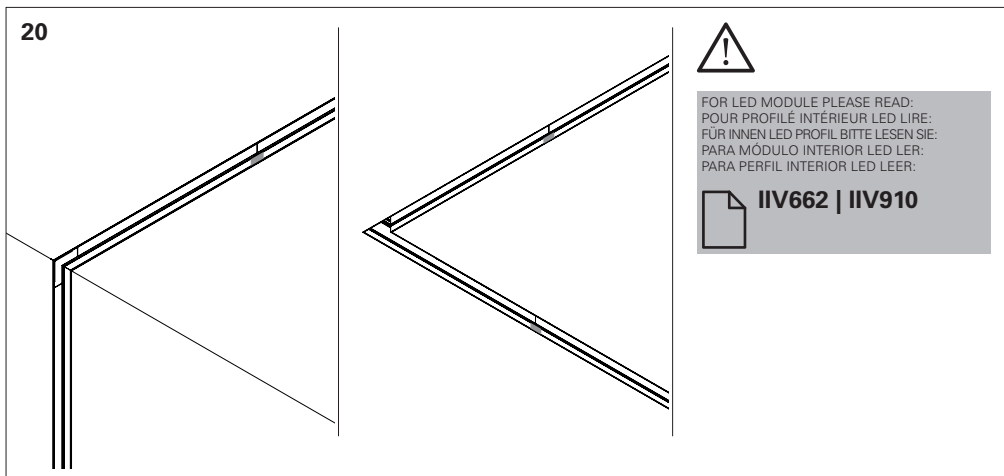
18



19



20



21

