



AVNET®
EMBEDDED

SIMPLE PLUS OPEN FRAME

GEO-104R4B430C3000-I-MBVM-PG020-G

avnet.com/embedded

GEO-104R4B430C3000-I-MBVM-PG020-G

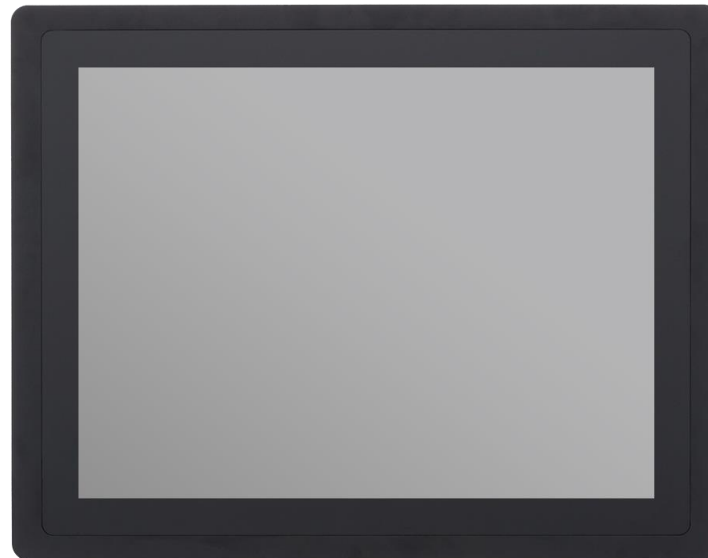
1 YEAR WARRANTY

10.4" OPEN FRAME

CERTIFICATIONS : CE , FCC

DESCRIPTION

Avnet Embedded Open Frame provides the answer, handling the entirety of the display design for you and building optimized solutions based on modular combinations of standard displays and TFT multi-touch assemblies. Delivered as a pre-assembled unit that incorporates the power supply, touch controller and other components, an Open Frame is built into a no-bezel metal housing for simple integration into your solution. All-in-one computers are a variation on this approach that add the processor, memory and other components to create a full system. Both allow for flexible mounting options to support an open-ended variety of implementations.



Advantages

Six capabilities of Avnet integrated Open Frames and AIO that mean successful solution development

Compatibility and Ease of Integration



- Integrate with multiple generations and standards of equipment
- Implement in environments with space, thermal and other constraints
- Customize easily for individual solution requirements

Optimized Human-Machine Interaction



- Tailor display to size, aspect ratio and resolution needed
- Control input without external devices such as keyboard or mouse
- Support use by operators with gloved hands

Rugged Durability and Longevity



- Offer dependability of low failure rate and long lifespan
- Operate in extremes of dust, heat, moisture, shock and vibration
- Protect displays against glare, scratches, fingerprints and vibration

Flexible Mounting and Customizability



- Specify options such as processor, video card and interfaces
- Mount in enclosure, on equipment, on panel or using VESA
- Meet constraints with fanless install and solid state storage

Long-Term Cost-Effectiveness



- Eliminate one-time-engineering costs to develop custom display
- Simplify ongoing maintenance with Avnet-engineered solution
- Scale system performance with upgradeability when needed

Low Power Consumption and Noise



- Tailor power/performance balance with broad choice of components
- Reduce operating noise by eliminating exhaust fans
- Avoid pulling in dust and contaminants with passive cooling designs

Technical Data

GEO-104R4B430C3000-I-MBVM-PG020-G

Panel Data	
Panel Size	10.4"
Display Ratio	4:3
Resolution	1024(RGB)×768 XGA 123PPI
Color	262K/16.2M , 60% NTSC
Brightness (nits)	430 cd/m ² (Typ.)
Contrast	3000:1
View Angle	89/89/89/89 (Typ.)(CR≥10)
Response Time	20/10 (Typ.)(Tr/Td) ms
Backlight	WLED [2 strings]
Life (hrs)	50000hours
Touch Screen	
Type	Capacitive touch screen
Touch points	10 points
Touch Screen Structure	Glass+Glass(G+G);
Cover glass	2mm;black or white
Input Method	Finger or Cap. Stylus
Surface Hardness	7H

Technical Data

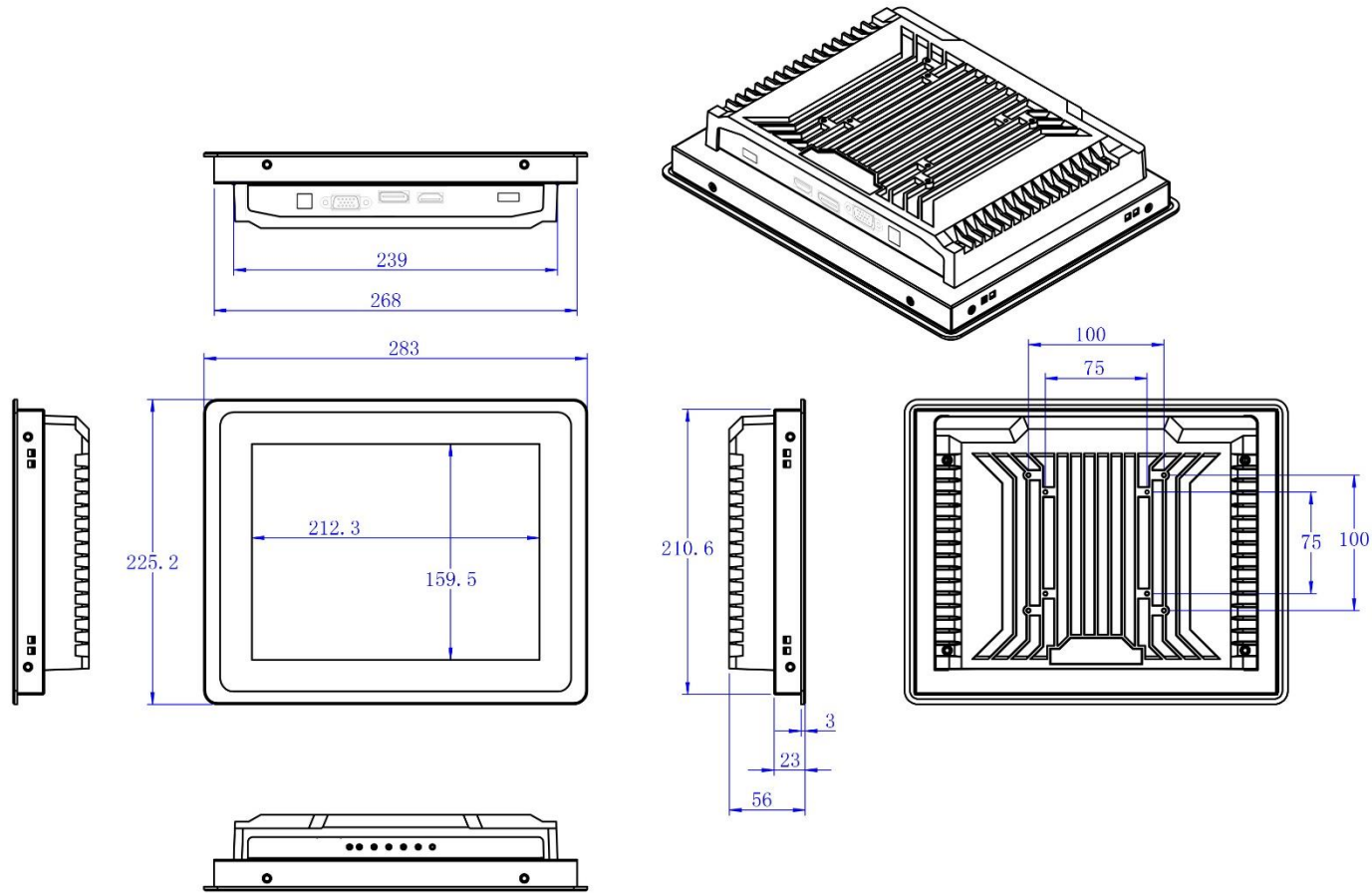
GEO-104R4B430C3000-I-MBVM-PG020-G

Specification	
Material	Metal material
HDMI Input/DP input	MAX:2560x1600
VGA Input	Standard VGA (15 pin D-SUB RGB) input; MAX:2560x1600
Speaker	2×2W(8Ω)
OSD	POWER/LEFT/RIGHT/MENU/EXIT
Language	Multi language
Interface	HDMI/VGA/DP/USB A (touch)
Power Supply	DC 12V (default); can support 8V ~ 25V input
Installation	Mounted
IP grade	IP65(FRONT)
Operating condition:	Temperature: -20 to +70 degrees Celsius ; Humidity:20-80%
Storage condition:	Temperature: -30 to +70 degrees Celsius; Humidity: 20%-80%
Certificate	CE/FCC/ROHS

SIMPLE PLUS OPEN FRAME



SIZE



10.4inch 1024(RGB) × 768 XGA

Avnet Embedded
MSC Technologies GmbH
Industriestr. 16
76297 Stutensee

embedded.avnet.com