



# LEICA Magnus i

## Technical data



Riflescope	Leica Magnus 1 – 6.3x24 i	Leica Magnus 1.5 – 10x42 i
Package includes	riflescope caps for front lens/eyepiece, cleaning tissue, battery, instruction manual	riflescope caps for front lens/eyepiece, cleaning tissue, battery, instruction manual
Front lens diameter	24 mm	42 mm
Magnification	1 – 6.3x	1.5 – 10x
Zoom	6.3x	6.7x
Field of view at 100 m (min. up to max. magnification)	44 m to 6.5 m	26 m to 4.1 m
Eye relief	> 3.5 in / 90 mm	> 3.5 in / 90 mm
Exit pupil	12.4 - 3.8 mm	12.4 - 4.2 mm
Parallax-free	100 m	100 m
Diopter compensation	-4/+3 dpt	-4/+3 dpt
Coating	AquaDura® lens coating	AquaDura® lens coating
Transmission	approx. 92%	approx. 92%
Mounting option	1.18 in / 30 mm rings / Zeiss internal rail	1.18 in / 30 mm rings / Zeiss internal rail
Impact point correction	1 click = 1 cm/100 m (≈ 1/3 MOA), 200 x140 cm	1 click = 1 cm/100 m (≈ 1/3 MOA), 150 x140 cm
Front lens filter thread	M28 x 0.75 mm	M46 x 0.75 mm
Length	10.7 in / 272 mm	12.5 in / 317 mm
Weight	19.2 oz / 544 g (with rail: 22.2 oz / 570 g)	21.9 oz / 620 g (with rail: 22.9 oz / 650 g)
Waterproof	waterproof to 13.1 ft / 4 m; nitrogen-filled	waterproof to 13.1 ft / 4 m; nitrogen-filled
Available reticles	4a, L-3D, CDi	4a, Ballistic
Reticle illumination / type	yes / dot	yes / dot
Automatic switch-off	3 min, ± 75°	3 min, ± 75°
Automatic switch-on	yes, activated by position and/or movement	yes, activated by position and/or movement
Battery	1 x CR2032	1 x CR2032
<b>Order No. (Reticle)</b>		
4a / with rail	52120 / 52121	53130 / 53131
4a with BDC / with rail	--	53132 / 53133
L-3D / with rail	52110 / 52111	--
Ballistic / with rail	--	53110 / 53111
Ballistic with BDC / with rail	--	--
CD i / with rail	52140 / 52141	--



# LEICA Magnus i

## Technical data

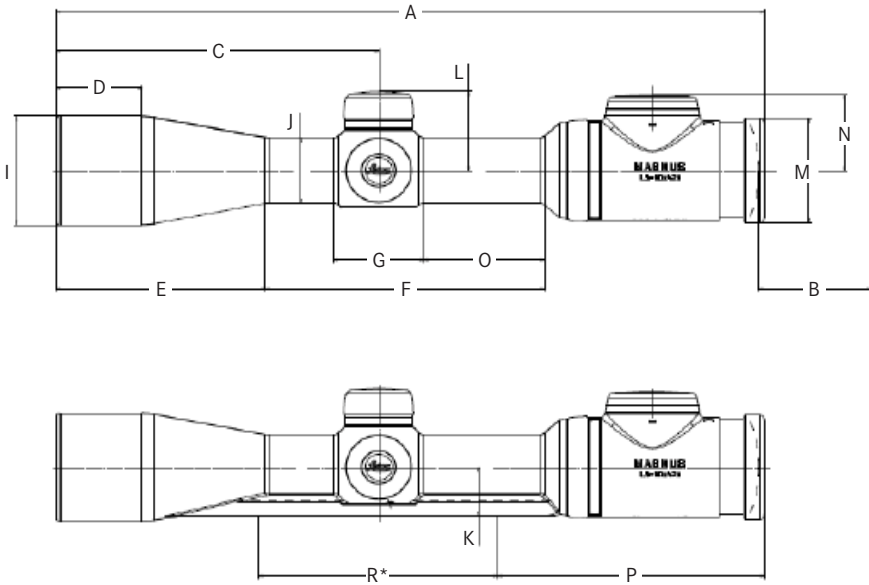


Riflescope	Leica Magnus 1.8 – 12x50 i	Leica Magnus 2.4 – 16x56 i
Package includes	riflescope caps for front lens/eyepiece, cleaning tissue, battery, instruction manual	riflescope caps for front lens/eyepiece, cleaning tissue, battery, instruction manual
Front lens diameter	50 mm	56 mm
Magnification	1.8 – 12x	2.4 – 16x
Zoom	6.7x	6.7x
Field of view at 100 m (min. up to max. magnification)	22.5 m to 3.7 m	17 m to 2.6 m
Eye relief	> 3.5 in / 90 mm	> 3.5 in / 90 mm
Exit pupil	12.4 - 4.2 mm	12.4 - 3.5 mm
Parallax-free	--	adjustable, 50 m to infinity
Diopter compensation	-4/+3 dpt	-4/+3 dpt
Coating	AquaDura® lens coating	AquaDura® lens coating
Transmission	approx. 92%	approx. 92%
Mounting option	1.18 in / 30 mm rings / Zeiss internal rail	1.18 in / 30 mm rings / Zeiss internal rail
Impact point correction	1 click = 1 cm/100 m ( $\approx 1/3$ MOA), 150 x140 cm	1 click = 1 cm/100 m ( $\approx 1/3$ MOA), 150 x140 cm
Front lens filter thread	M52x0.75 mm	M58x0.75 mm
Length	13.9 in / 335 mm	14.2 in / 360 mm
Weight	24.7 oz / 700 g [with rail: 25.6 oz / 725 g]	27.7 oz / 785 g / [with rail: 28.7 oz / 815 g]
Waterproof	waterproof to 13.1 ft / 4 m; nitrogen-filled	waterproof to 13.1 ft / 4 m; nitrogen-filled
Available reticles	4a, Ballistic	4a, Ballistic
Reticle illumination / type	yes / dot	yes / dot
Automatic switch-off	3 min, $\pm 75^\circ$	3 min, $\pm 75^\circ$
Automatic switch-on	yes, activated by position and/or movement	yes, activated by position and/or movement
Battery	1 x CR2032	1 x CR2032
<b>Order No. (Reticle)</b>		
4a / with rail	53160 / 53161	54130 / 54131
4a with BDC / with rail	53162 / 53163	54132 / 54133
Ballistic / with rail	53170 / 53171	54101 / 54111
Ballistic with BDC / with rail	53172 / 53173	54112 / 54113



# LEICA Magnus i

## Dimensions



	Leica Magnus 1 – 6.3x24 i without/with Rail	Leica Magnus 1.5 – 10x42 i without/with Rail	Leica Magnus 1.8 – 12x50 i without/with Rail	Leica Magnus 2.4 – 16x56 i without/with Rail
A	272 mm	316 mm	333 mm	360 mm
B	91 mm	91 mm	91 mm	91 mm
C	100 mm	144 mm	161 mm	188 mm
D	--	38 mm	54 mm	59 mm
E	79 mm	93 mm	103 mm	122 mm
F	E + F: 174 mm	125 mm	132 mm	140 mm
G	40 mm	40 mm	40 mm	40 mm
I	30 mm	50 mm	57 mm	62 mm
J	30 mm	30 mm	30 mm	30 mm
K	23 mm	23 mm	23 mm	23 mm
L	36 mm	36 mm	36 mm	31 mm
M	48 mm	48 mm	48 mm	48 mm
N	35 mm	35 mm	35 mm	35 mm
O	54 mm	54 mm	54 mm	54 mm
P	119 mm	119 mm	119 mm	119 mm
R*	139 mm	107 mm	111 mm	115 mm

\*useful rail length