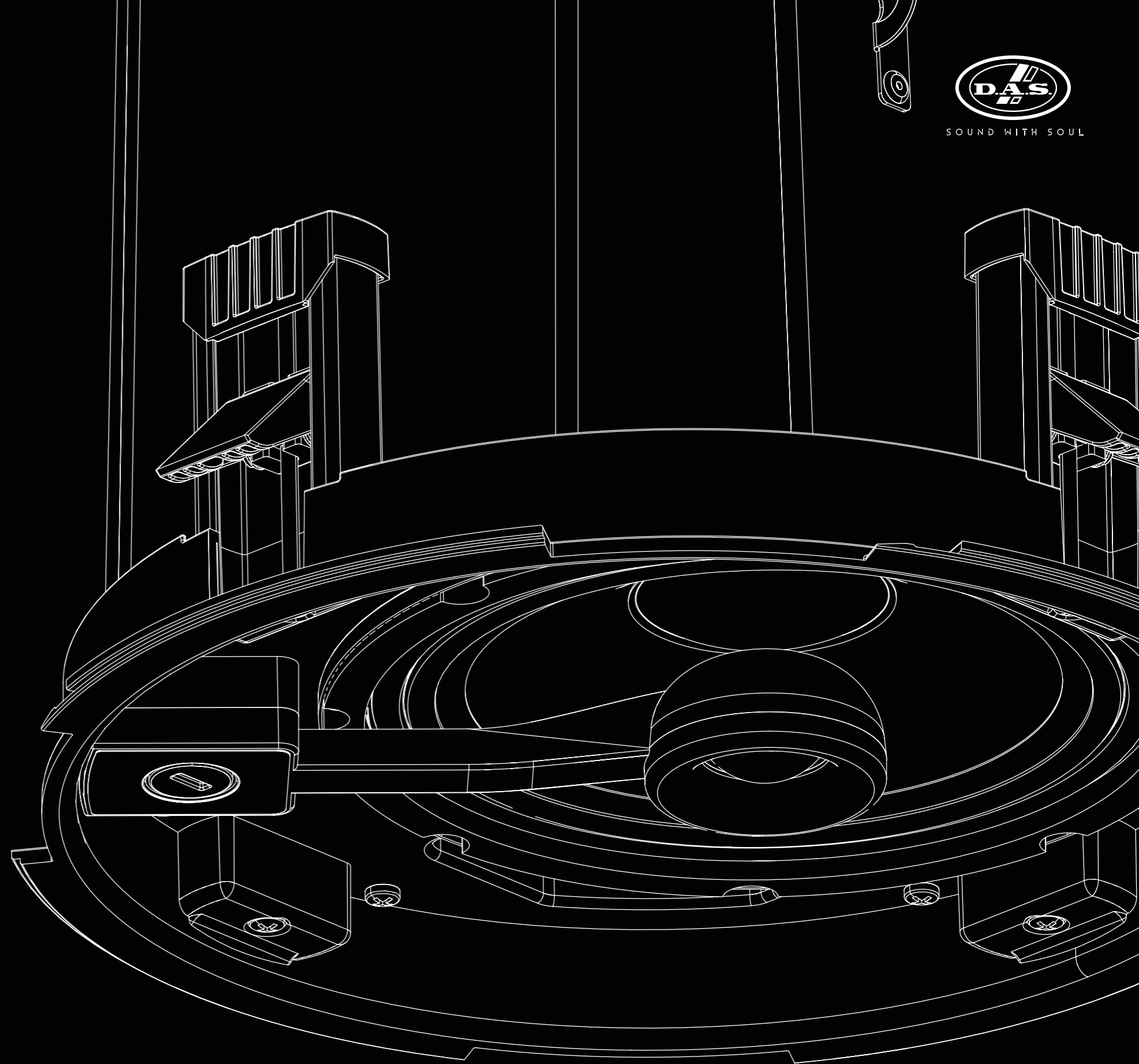


DECO SERIES



SOUND WITH SOUL



DECO-40-T / DECO-40-T-LP / DECO-65-T / DECO-80-T / DECO-80-TS

www.dasaudio.com

INDEX

DECLARATION OF CONFORMITY	3
SAFETY PRECAUTIONS	4
WARRANTY	5
INTRODUCTION	6
CONFIGURATIONS	12
SPECIFICATIONS	16
PACKAGE	17
LINE DRAWING	18
INSTALLATION	23
ACCESSORIES	33

DECO SERIES

Declaration of conformity

DAS Audio Group, S.L.

C/ Islas Baleares, 24 - 46988

Pol. Fuente del Jarro - Valencia. España

(España)

Declares that DECO SERIES:

Complies with the essential objectives of the following Directives:

- Low Voltage Directive 2014/35/EU
- Electromagnetic Compatibility (EMC) 2014/30/UE
- RoHS 2011/65/UE
- RAEE (WEEE)

In accordance with Harmonized European Norms:

- EN 60065:2014.- Audio, video and electronic apparatus. Safety requirements. EN 55032:2012.- Electromagnetic compatibility of multimedia equipment. Emission requirements.
- EN 55103-2:2009.- Electromagnetic compatibility. Product family standard for apparatus for professional use for sound, video, audio-visual systems and for the control of entertainment lighting - Part 2: Immunity.
- EN 55103-2:2009.- Electromagnetic compatibility. Part 2: Immunity.
- EN 50581:2012.- Technical documentation for the evaluation of electrical and electronic products with regard to the restriction of hazardous substances.

DECO SERIES

Safety Precautions



The exclamation point inside an equilateral triangle is intended to alert the users to the presence of important operating and maintenance (servicing) instructions in the literature accompanying the product. Heed all warnings. Follow all instructions. Keep these instructions.

WARNING: This is a class A product. In a domestic environment this product may cause radio interferences in which case the user may be required to take adequate measures.

Use this product only in E1, E2, E3 or E4 environments according to EN55103-2.

Do not remove mains connector ground, it is dangerous and illegal. Class I device. The product must be connected to a mains socket outlet with protective earth connection. Only use this equipment with an appropriate mains cord for your country.



The lightning and arrowhead symbol warns about the presence of uninsulated dangerous voltage. To reduce the risk of electric shock, do not remove the cover.

The device have a standard connector IEC60320-14, with fuseholder, for mains.

Only use this equipment with an appropriate mains cord.

The connected outer wiring to these terminals requires of its installation by an instructed person and the use of a flexible cable already prepared.



This symbol on the product indicates that this product should not be treated as household waste. Instead it shall be handed over to the applicable collection point for the recycling of electrical and electronic equipment.

The ON position is indicated in the switch by means of the corresponding standardized symbols (IEC 60417-1 and IEC 60417-2).

If the apparatus is connected permanently, the electrical system of the building must incorporate a multipolar switch with a separation of contact of at least 3mm in each pole.

Do not expose this device to rain or moisture. Do not use this apparatus near water (for example, swimming pools and fountains). Do not place any objects containing liquids, such as bottles or glasses, on top of the unit. Do not splash liquids on the unit. IP-20 equipment.

Clean only with a dry cloth. Do not use any solvent based cleaners.

Do not install near any heat sources such as radiators, heat registers, stoves or other apparatus that produce heat.

The circulation of air must not be blocked.

Unplug this apparatus during lightning storms, earthquakes or when unused for long periods of time.

Take into account that the nominal AC voltage is the value shown in the equipment $\pm 10\%$ (according to IEC 60065:2001). If the fuse needs to be replaced, please pay attention to correct type and ratings.

If the cable or the mains plug are damaged they must be replaced. Contact the manufacturer to provide you with the necessary spare parts. No user serviceable parts inside. Refer all servicing to qualified service personnel. Servicing is required when the apparatus has been damaged in any way, such as power-supply cord or plug is damaged, liquid has been spilled or objects have fallen into the apparatus, the apparatus has been exposed to rain or moisture, does not operate normally or has been dropped.

DECO SERIES

Warranty

All our products are guaranteed for a period of 24 months from the date of purchase.

Warranties will only be valid if they are for a manufacturing defect and in no case for an incorrect use of the product.

Warranty repairs can be performed exclusively by the manufacturer or the authorized technical assistance service.

Other charges such as shipping and insurance, are borne by the buyer in all cases.

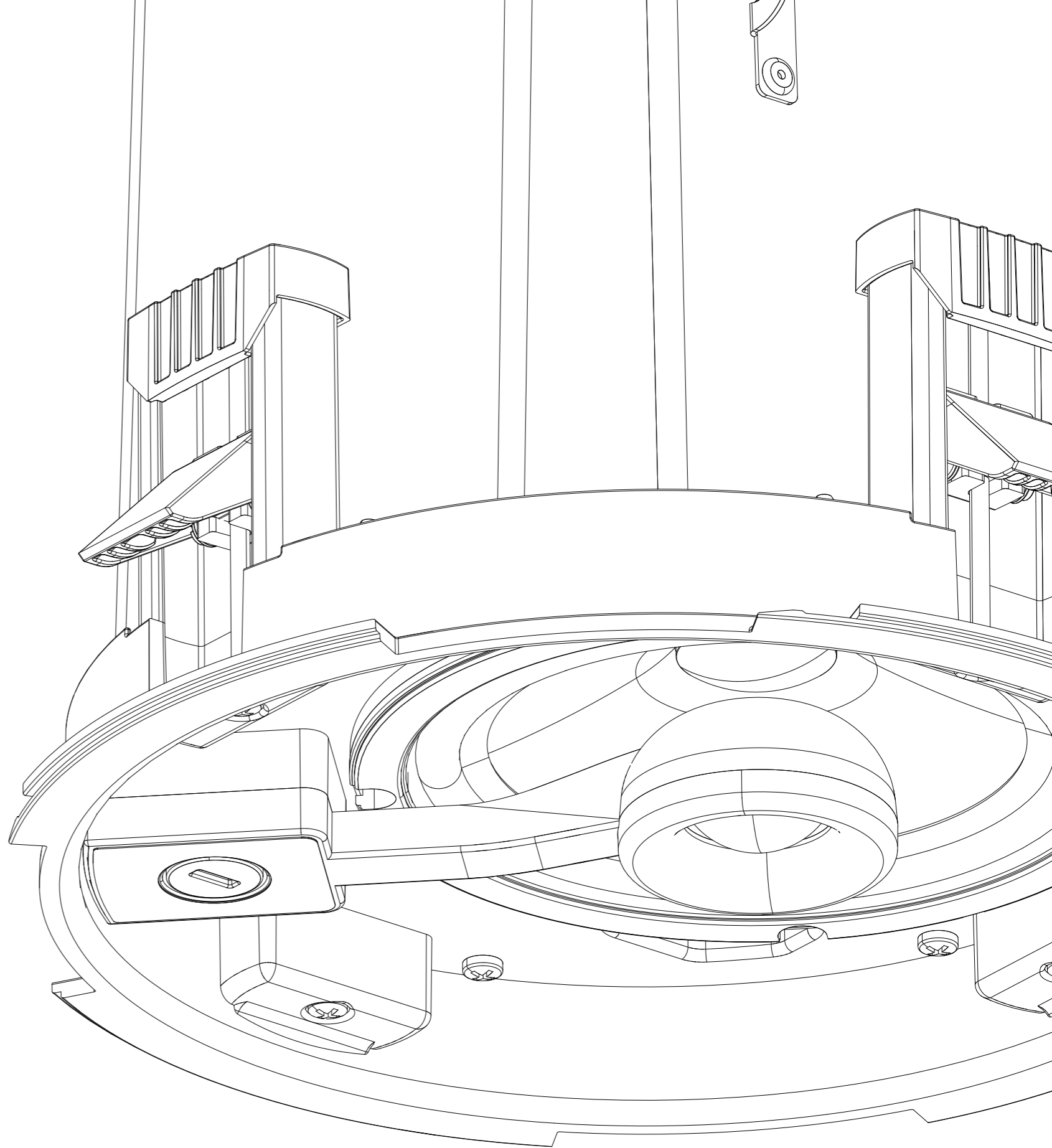
To request warranty repair is essential that the product has not been previously manipulated and include a photocopy of the purchase invoice.

DECO SERIES

Introduction

Welcome to the user manual for the DECO series. This comprehensive guide is designed to provide all the information needed for the effective and safe operation of our DECO systems.

The DECO series is a family of ceiling loudspeakers with minimum visual impact thanks to an innovative “frameless” design that incorporates grilles attached with powerful neodymium magnets that cover the entire system so that it can blend seamlessly into its environment.

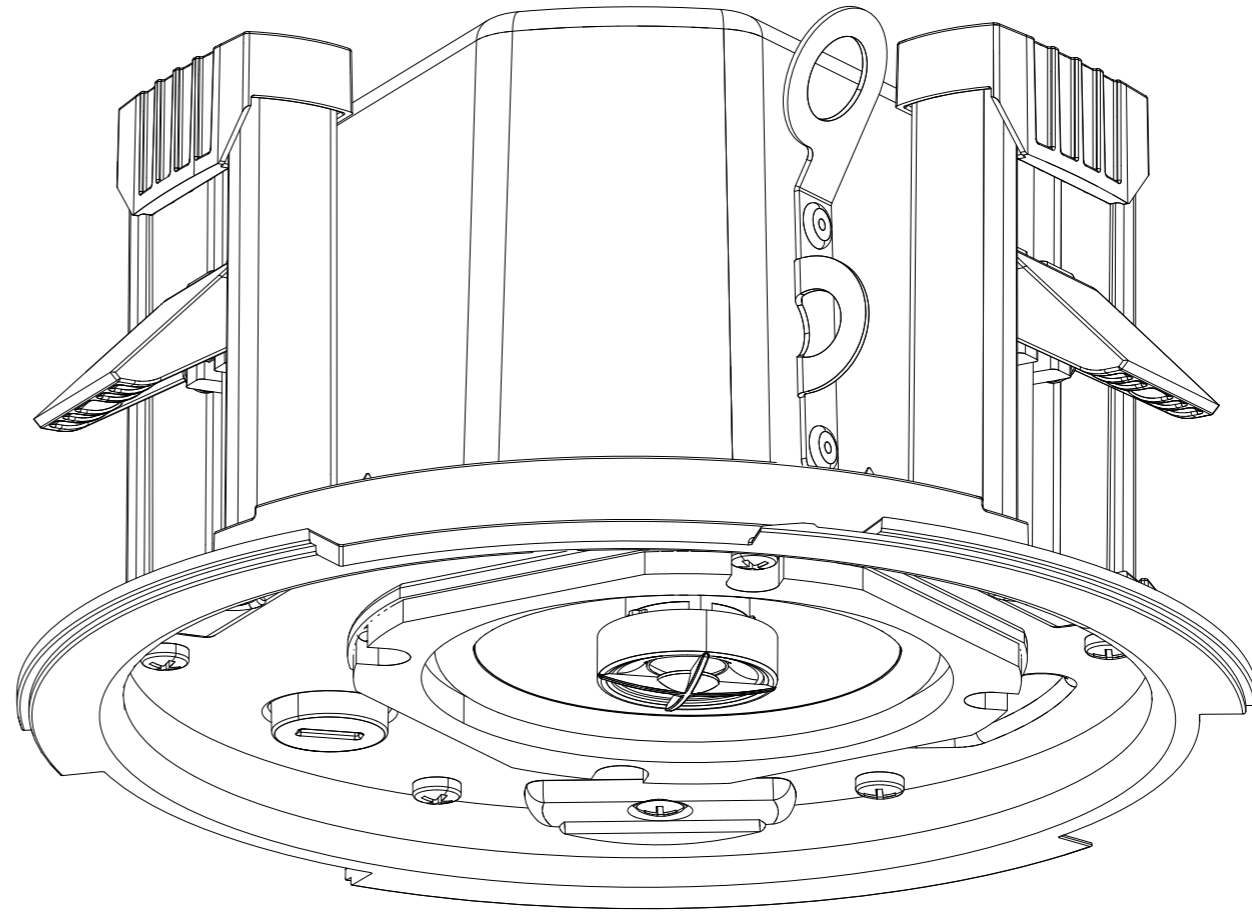


DECO SERIES

DECO-40-T-LP

The DECO-40-T-LP is a high quality, low-profile ceiling loudspeaker designed for applications with limited ceiling space. With a robust steel housing and a polypropylene front, it provides 125° conical coverage.

- **Frequency Range (-10 dB)** 110 Hz – 20 kHz
- **Peak Power Handling** 200 W
- **Maximum Peak SPL at 1 m** 110 dB
- **Cut Out Diameter** 185 mm (7,3 in)
- **Depth** 110 mm (4,3 in)
- **Net Weight** 2,3 kg (5,0 lb)

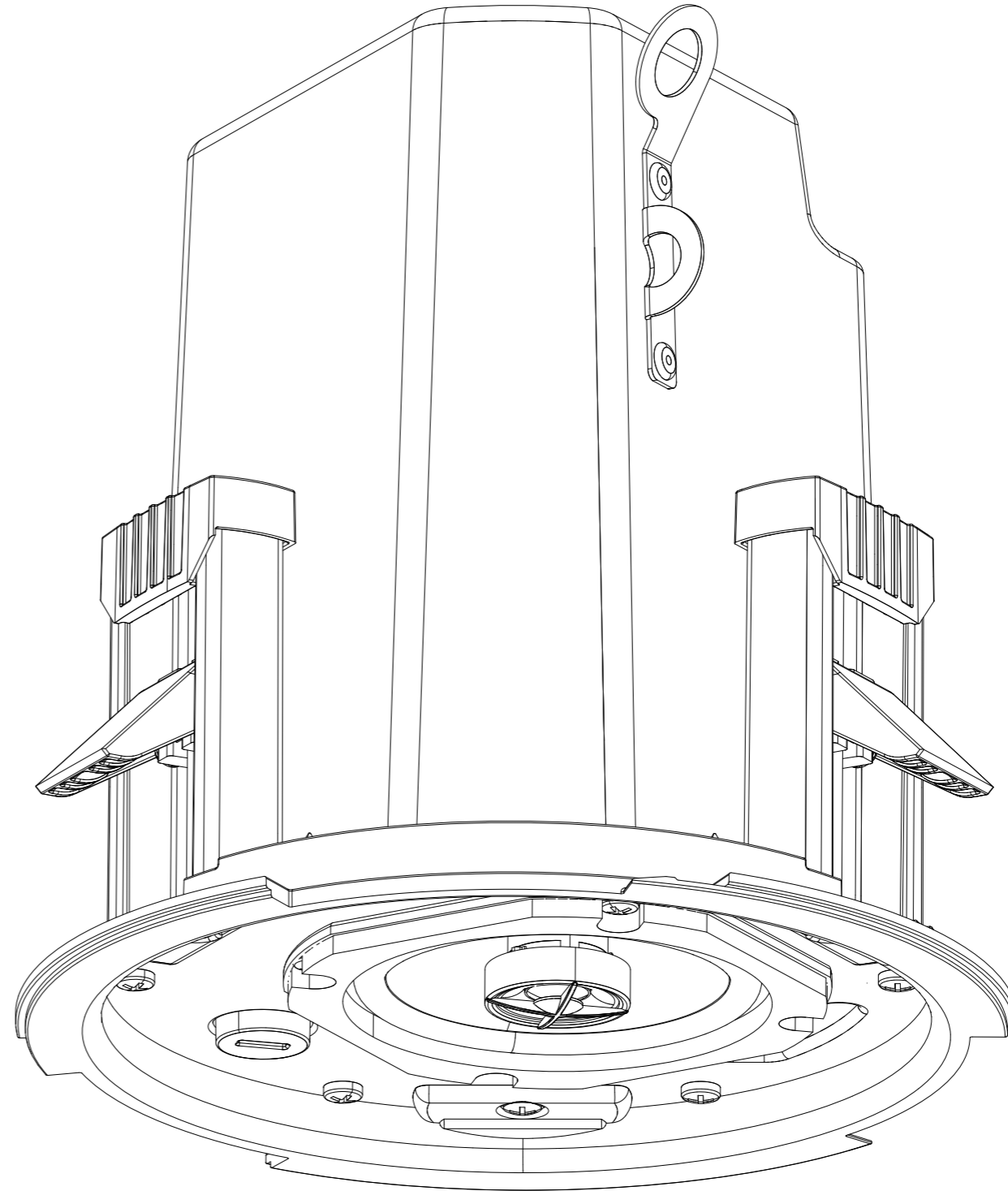


DECO SERIES

DECO-40-T

The DECO-40-T is a sophisticated in-ceiling loudspeaker, designed to deliver world-class audio performance and seamless aesthetic integration. With a robust steel housing and polypropylene front, it provides 125° conical coverage.

- **Frequency Range (-10 dB)** 75 Hz – 20 kHz
- **Peak Power Handling** 200 W
- **Maximum Peak SPL at 1 m** 112 dB
- **Cut Out Diameter** 185 mm (7,3 in)
- **Depth** 220 mm (8,7 in)
- **Net Weight** 2,7 kg (5,9 lb)

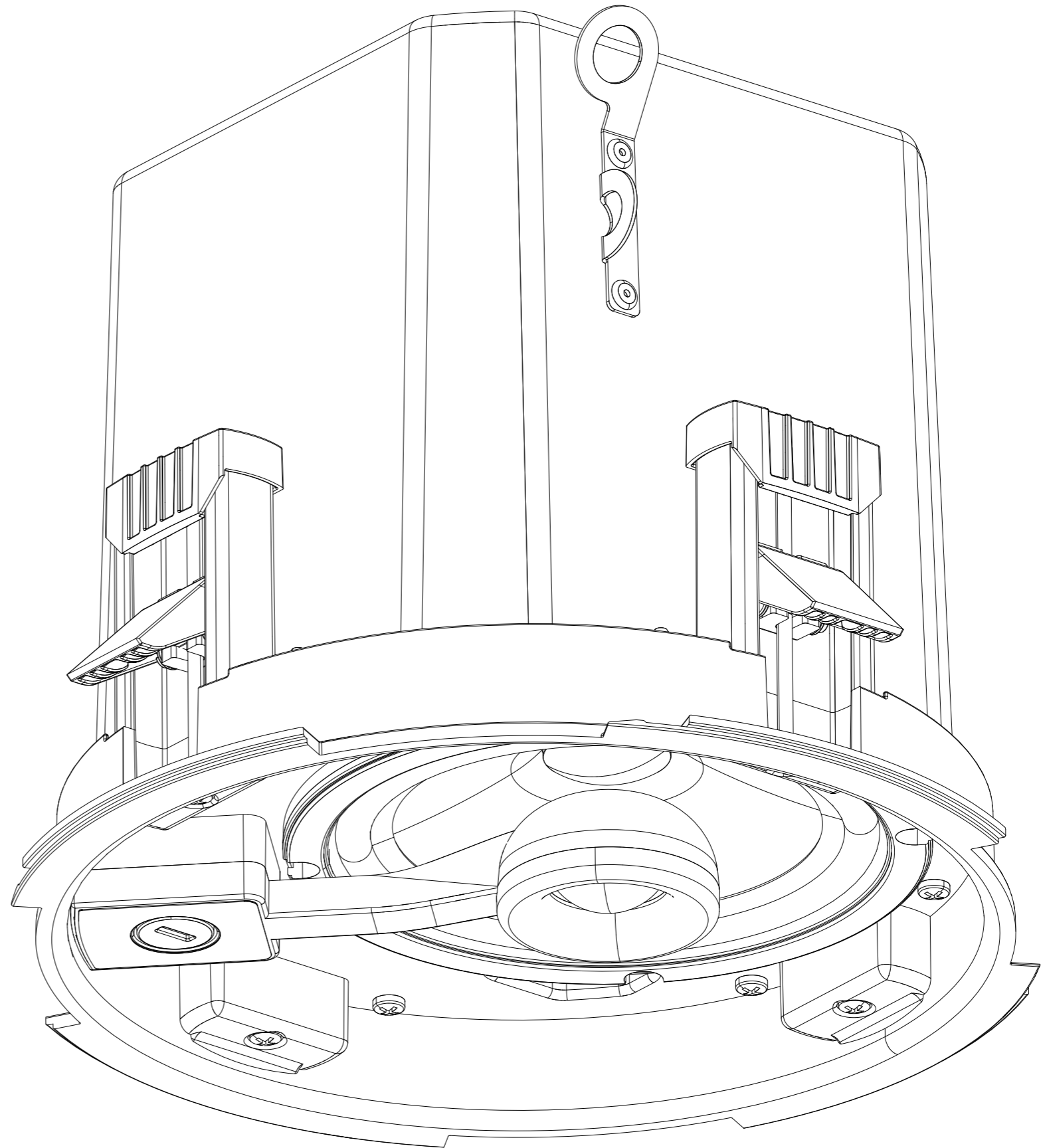


DECO SERIES

DECO-65-T

The DECO-65-T is a high quality ceiling loudspeaker designed for premium audio performance and seamless aesthetic integration. With a robust steel housing and durable polypropylene front, it provides 120° conical coverage.

- **Frequency Range (-10 dB)** 60 Hz – 20 kHz
- **Peak Power Handling** 240 W
- **Maximum Peak SPL at 1 m** 118 dB
- **Cut Out Diameter** 245 mm (9,6 in)
- **Depth** 220 mm (8,6 in)
- **Net Weight** 4,3 kg (9,5 lb)

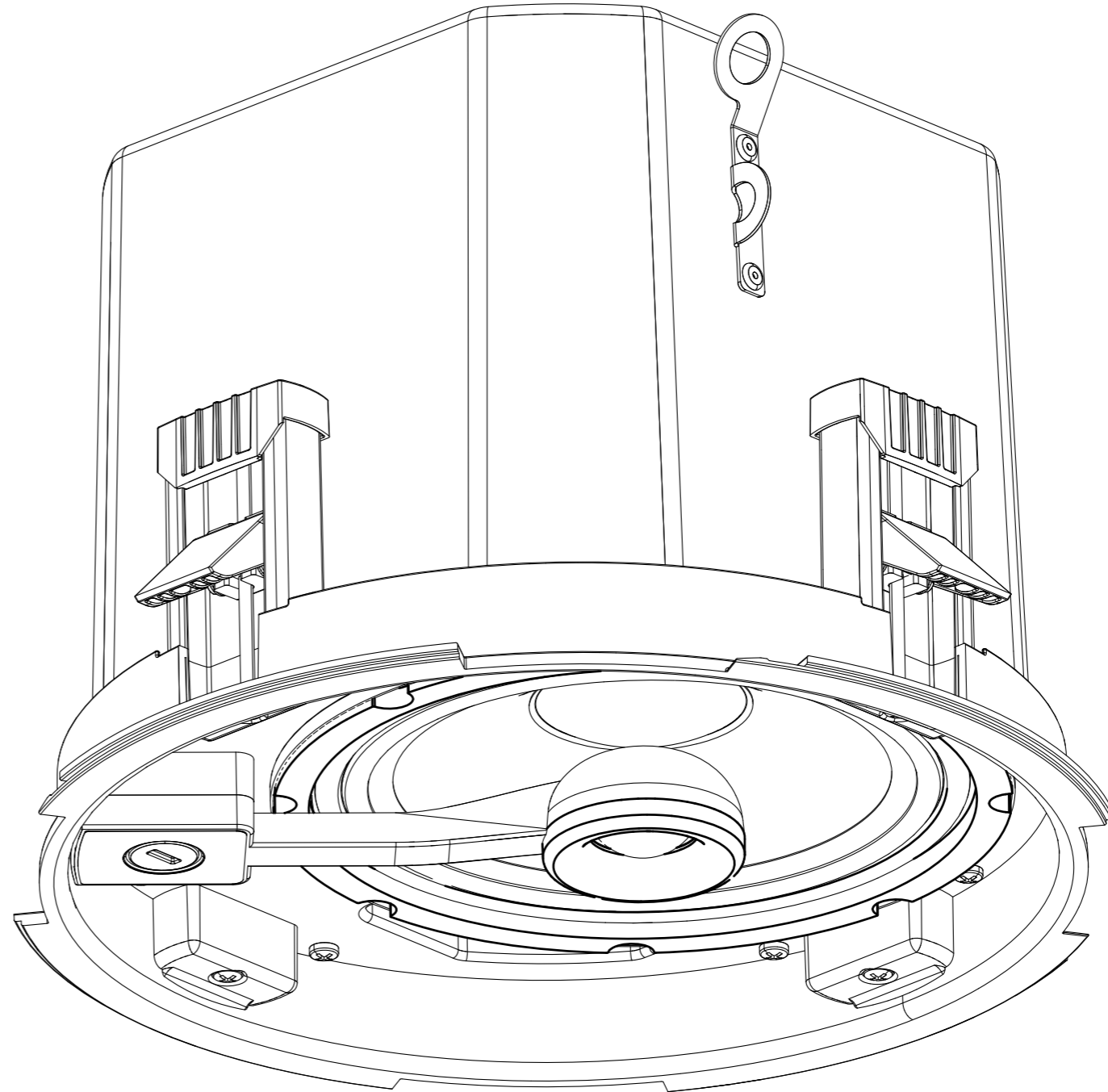


DECO SERIES

DECO-80-T

The DECO-80-T is a high quality in-ceiling loudspeaker, designed to deliver premium audio performance and seamless aesthetic integration. With a robust steel housing and durable polypropylene front, it provides 110° conical coverage.

- **Frequency Range (-10 dB)** 55 Hz – 20 kHz
- **Peak Power Handling** 500 W
- **Maximum Peak SPL at 1 m** 121 dB
- **Cut Out Diameter** 290 mm (11,4 in)
- **Depth** 220 mm (8,7 in)
- **Net Weight** 5,8 kg (12,8 lb)

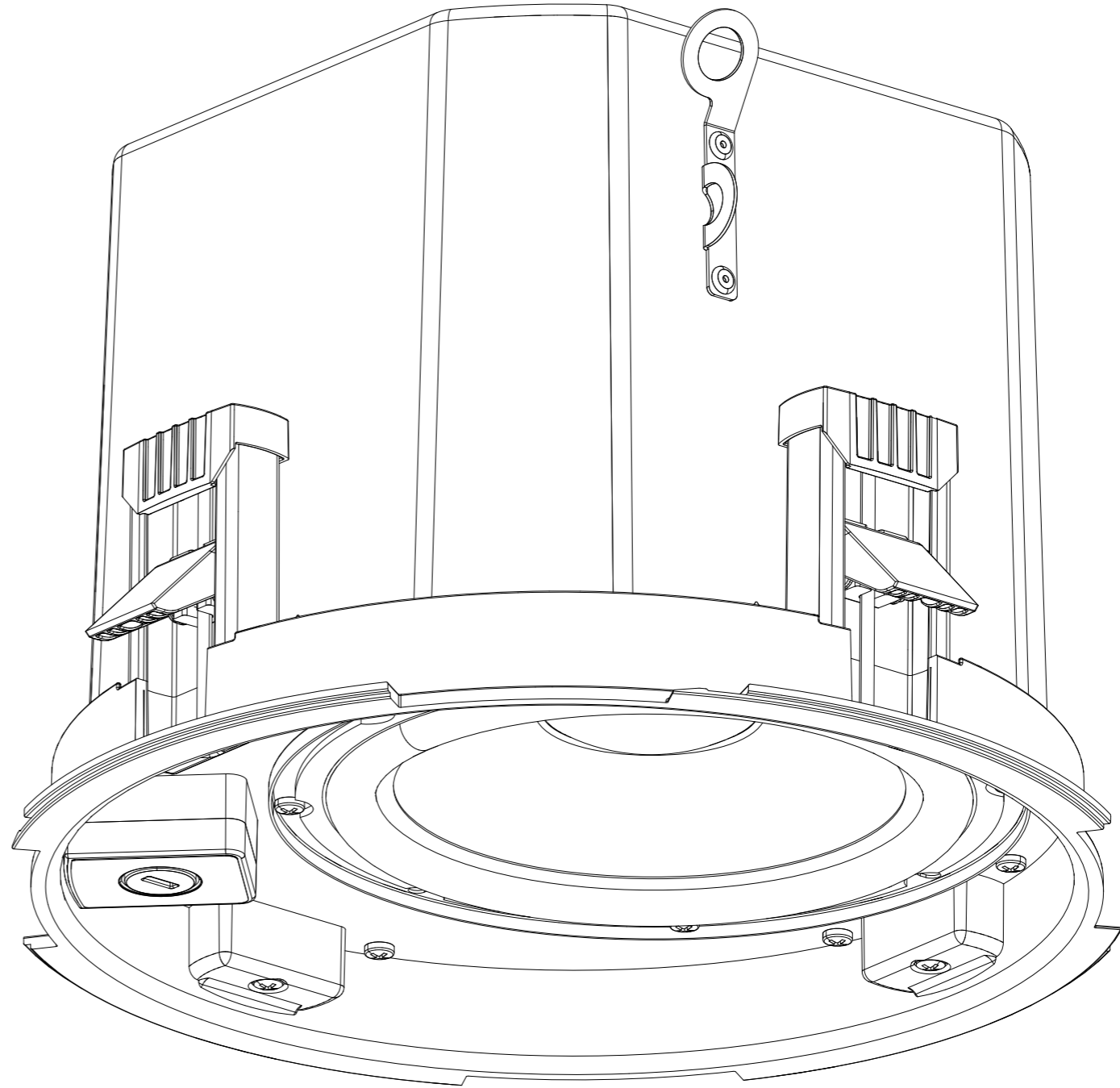


DECO SERIES

DECO-80-TS

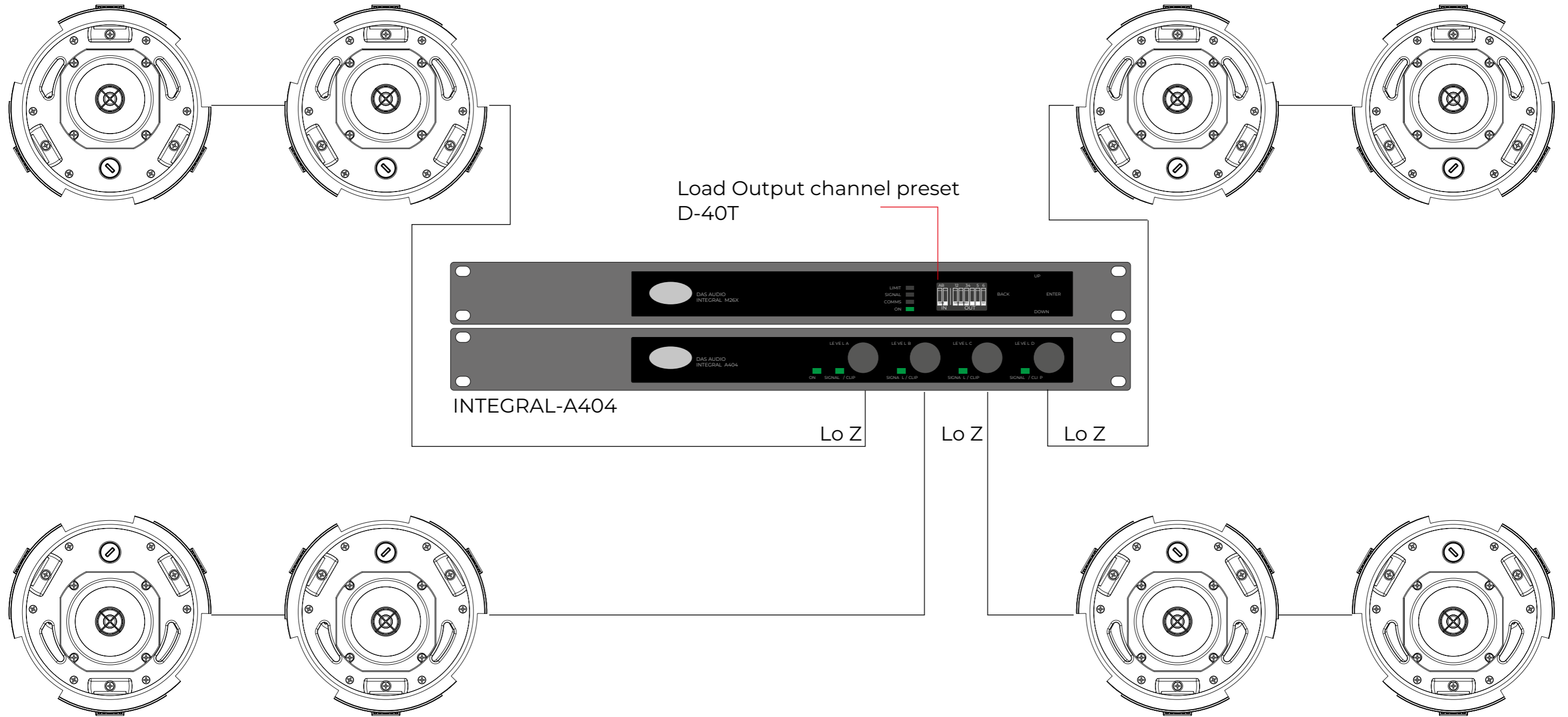
The DECO-80-TS is a high-performance in-ceiling subwoofer designed to deliver premium audio performance and seamless aesthetic integration.

- **Frequency Range (-10 dB)** 50 Hz – 190 Hz
- **Peak Power Handling** 800 W
- **Maximum Peak SPL at 1 m** 115 dB
- **Cut Out Diameter** 290 mm (11,4 in)
- **Depth** 215 mm
- **Net Weight** 5,5 kg (12,1 lb)



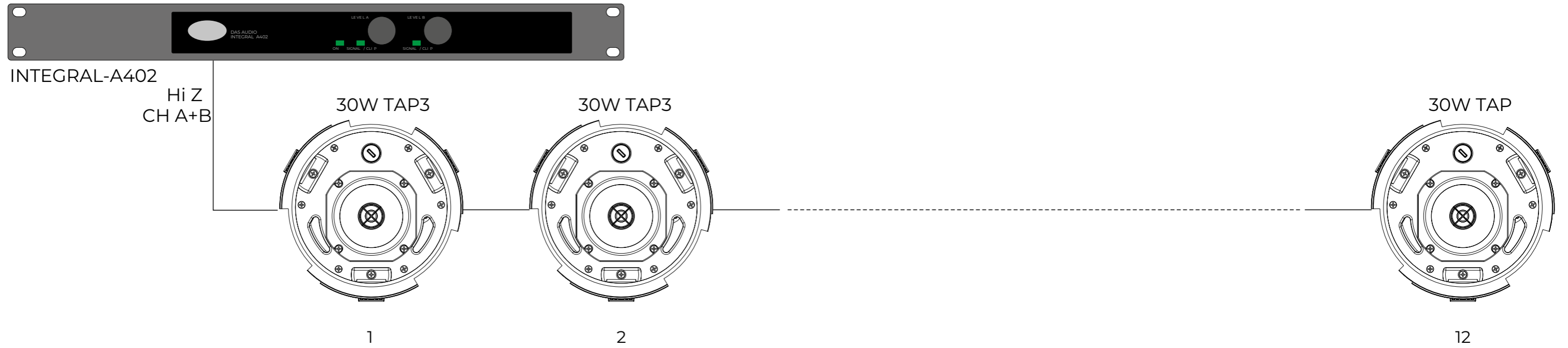
DECO SERIES Configurations

DECO-40T, Lo Z, 4CH Amplifier and M26X



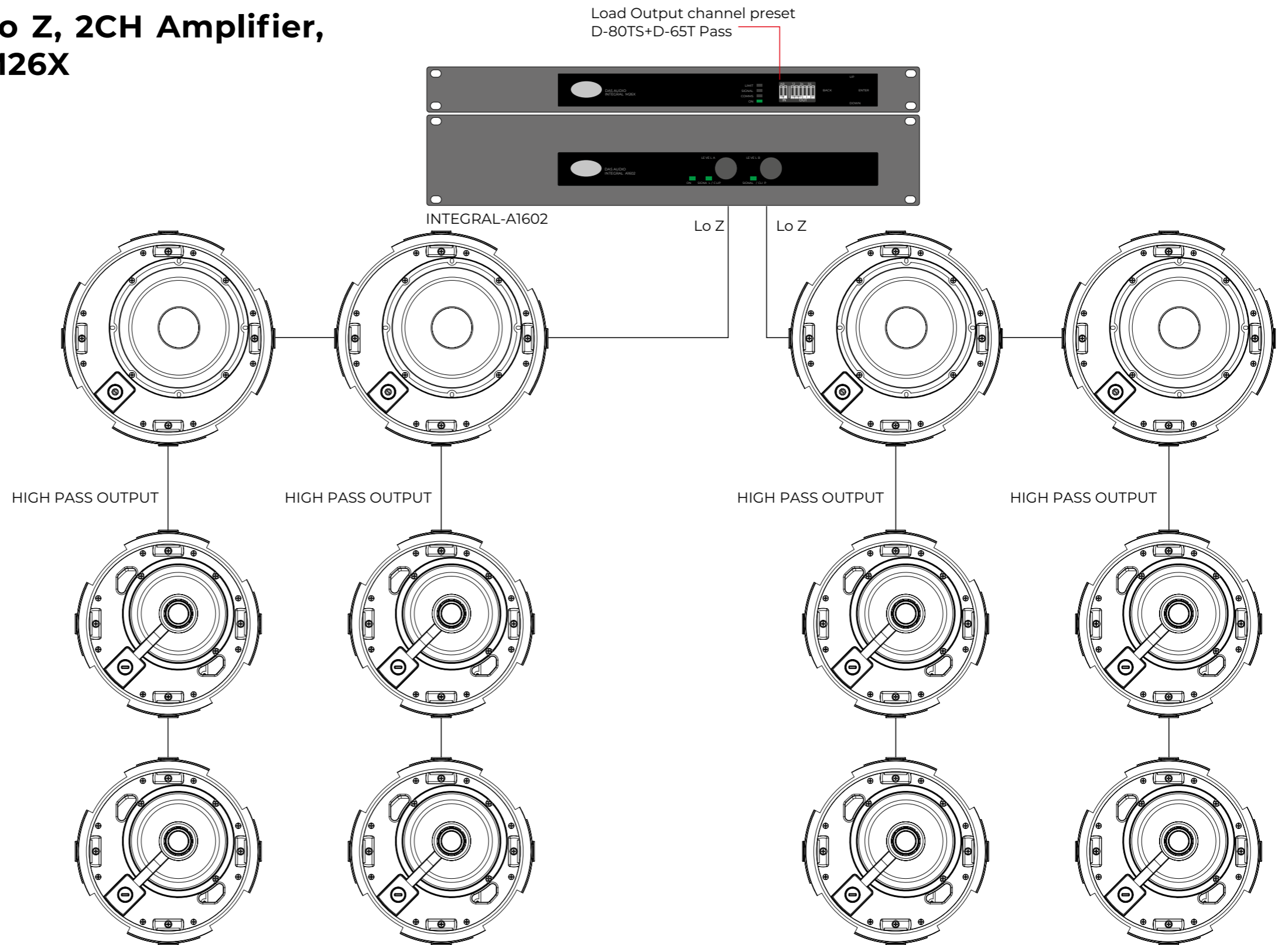
DECO SERIES Configurations

DECO-40T, Hi Z, 2CH Amplifier, Bridge Mode (100V line)



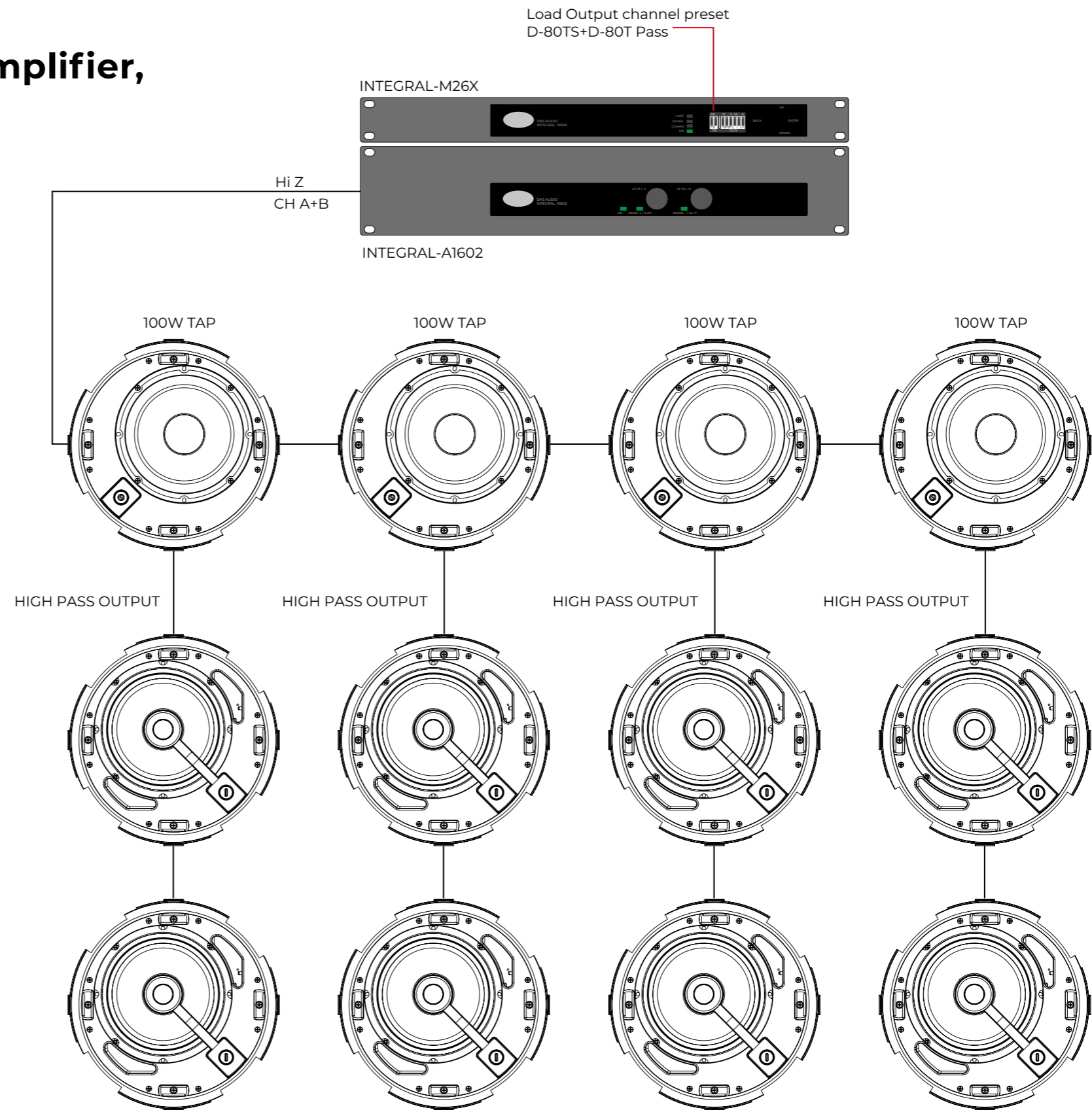
DECO SERIES Configurations

DECO-65T +DECO-80TS, Lo Z, 2CH Amplifier, HIGH PASS OUTPUT and M26X



DECO SERIES Configurations

DECO-80T + DECO-80TS, Hi Z, 2CH Amplifier, HIGH PASS OUTPUT and M26X



DECO SERIES

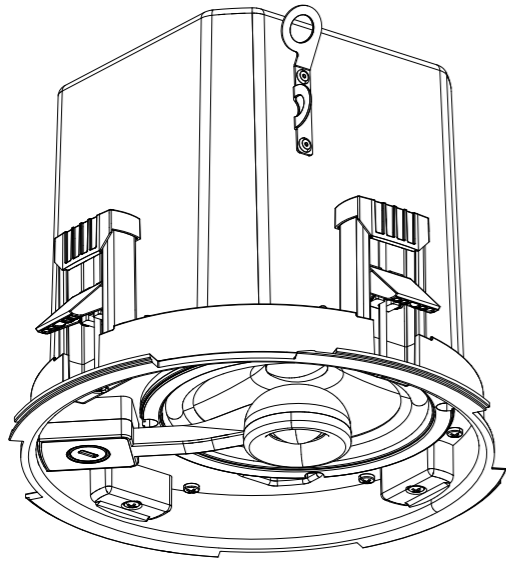
Specifications

Model	40-T-LP	40-T	65-T	80-T	80-TS
Features					
Frequency Range (-10 dB)	110 Hz – 20 kHz	75 Hz – 20 kHz	60 Hz – 20 kHz	55 Hz – 20 kHz	50 Hz – 190 Hz
Nominal Impedance	8 ohms	8 ohms	8 ohms	8 ohms	8 ohms
Conical Coverage	125°	125°	120°	110°	-
Transformer Taps 70 V	8 Ω / 5 W / 10 W / 15 W	8 Ω / 5 W / 10 W / 15 W	8 Ω / 7.5 W / 15 W / 30 W	8 Ω / 7.5 W / 15 W / 30 W	8 Ω / 12.5 W / 25 W / 50 W
Transformer Taps 100 V	8 Ω / 10 W / 20 W / 30 W	8 Ω / 10 W / 20 W / 30 W	8 Ω / 15 W / 30 W / 60 W	8 Ω / 15 W / 30 W / 60 W	8 Ω / 25 W / 50 W / 100 W
RMS Power Handling	50 W	50 W	60 W	125 W	200 W
Peak Power Handling	200 W	200 W	240 W	500 W	800 W
On-axis Sensitivity 1 W/1 m	87 dB SPL	89 dB SPL	92 dB SPL	94 dB SPL	89 dB SPL
Maximum Peak SPL 1W/1 m	110 dB	112 dB	118 dB	121 dB	115 dB
Connectors					
Audio Input Connector	4-way Phoenix 3.8 mm	4-way Phoenix 3.8 mm	4-way Phoenix 3.8 mm	4-way Phoenix 3.8 mm	5-way ceramic terminal block
Enclosure					
Geometry	Round	Round	Round	Round	Round
Cut-Out Diameter	185 mm (7,3 in)	185 mm (7,3 in)	245 mm (9,6 in)	290 mm (11,4 in)	290 mm (11,4 in)
Depth	110 mm (4,3 in)	220 mm (8,7 in)	220 mm (8,6 in)	220 mm (8,7 in)	215 mm (8,5 in)
Dimensions (H x W x D)	220 x 220 x 110 mm 8,7 x 8,7 x 4,3 in	220 x 220 x 220 mm 8,7 x 8,7 x 8,7 in	280 x 280 x 220 mm 11,0 x 11,0 x 8,6 in	321 x 321 x 220 mm 12,6 x 12,6 x 8,7 in	321 x 321 x 215 mm (12,6 x 12,6 x 8,5 in)
Net Weight	2,3 kg (5,0 lb)	2,7 kg (5,9 lb)	4,3 kg (9,5 lb)	5,8 kg (12,8 lb)	5,5 kg (12,1 lb)
Accessories					
	KIT-IP-DECO SP-PRE-DECO-40T	KIT-IP-DECO PK-40T PK-40TW SP-PRE-DECO-40T	KIT-IP-DECO PK-65T PK-65TW SP-PRE-DECO-65T	KIT-IP-DECO PK-80T PK-80TW SP-PRE-DECO-80T	PK-80T Installation & Stacking Acc. PK-80TW Installation & Stacking Acc. SP-PRE-DECO-80T Installation & Stacking Acc.

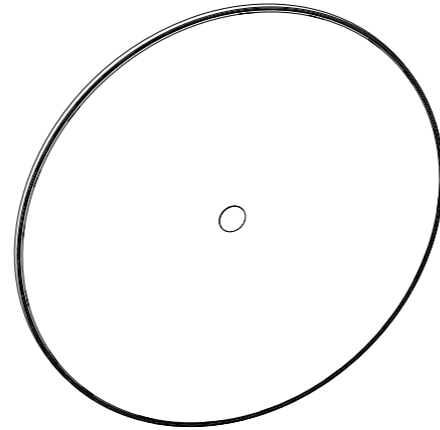
DECO SERIES

Package

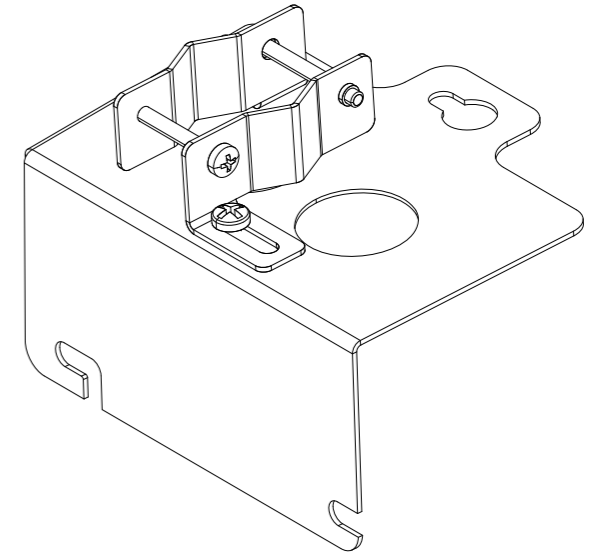
2 x DECO system



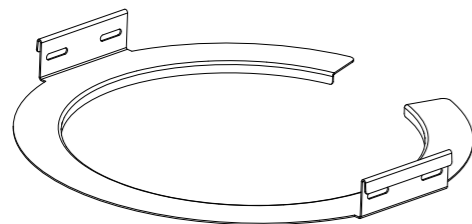
2 x DECO white grille



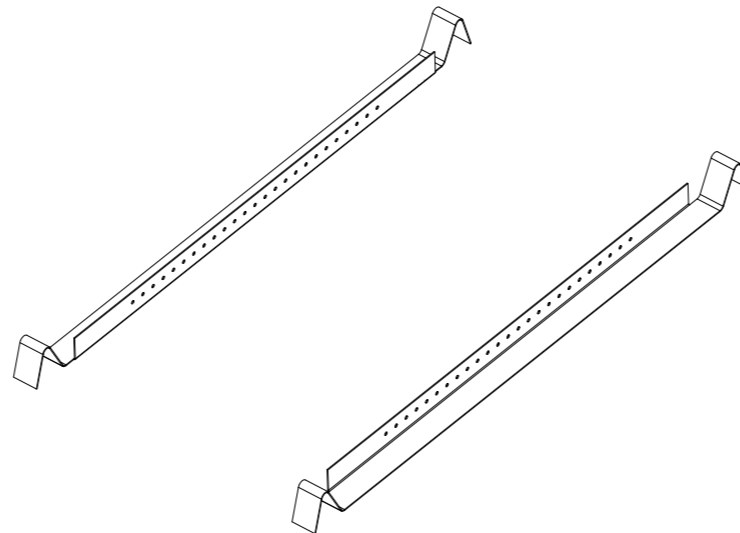
2 x DECO conector cover



2 x Tile ring DECO



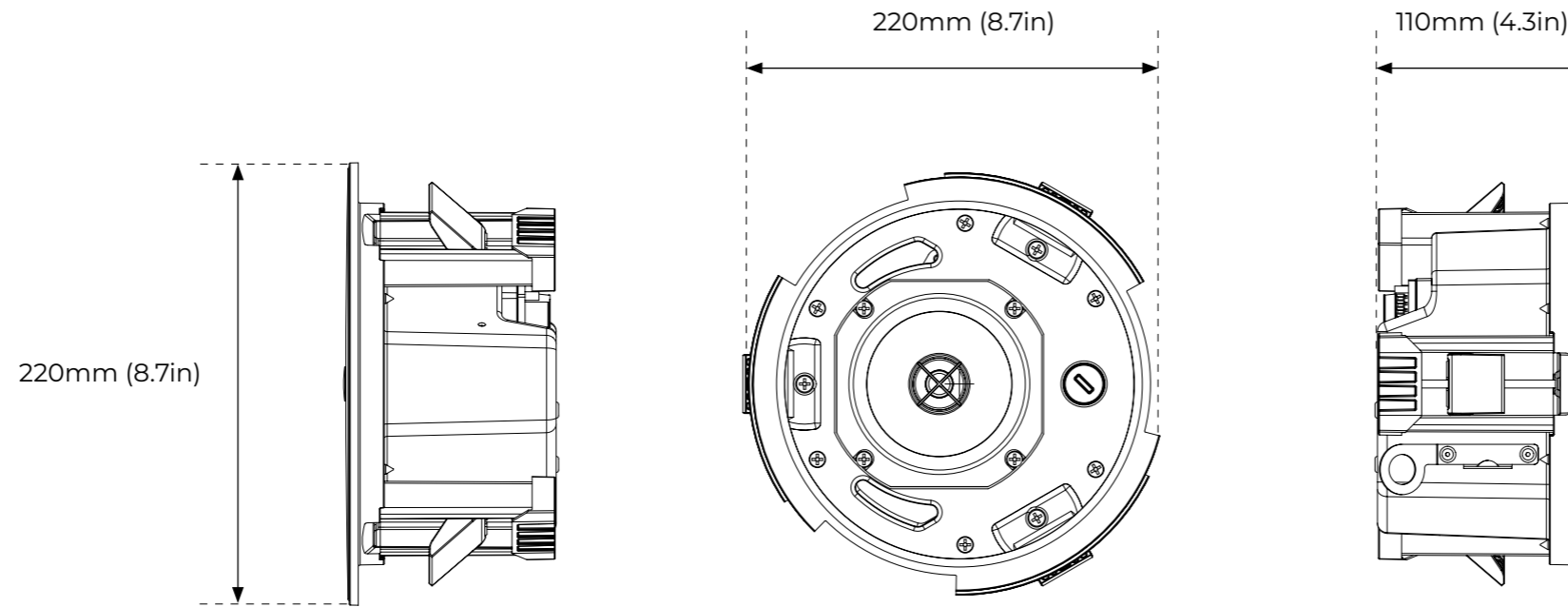
2 x Tile rail DECO (Pair)



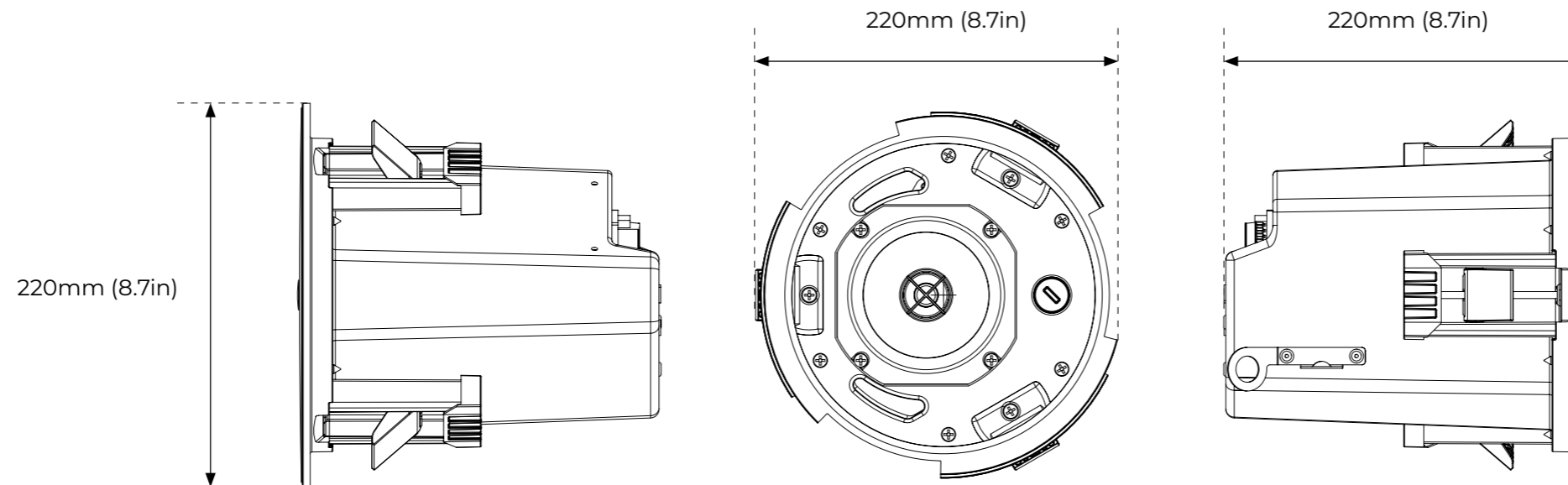
**2 x Screws rails
1 x Template cutout**

DECO SERIES Line Drawings

DECO-40-T-LP

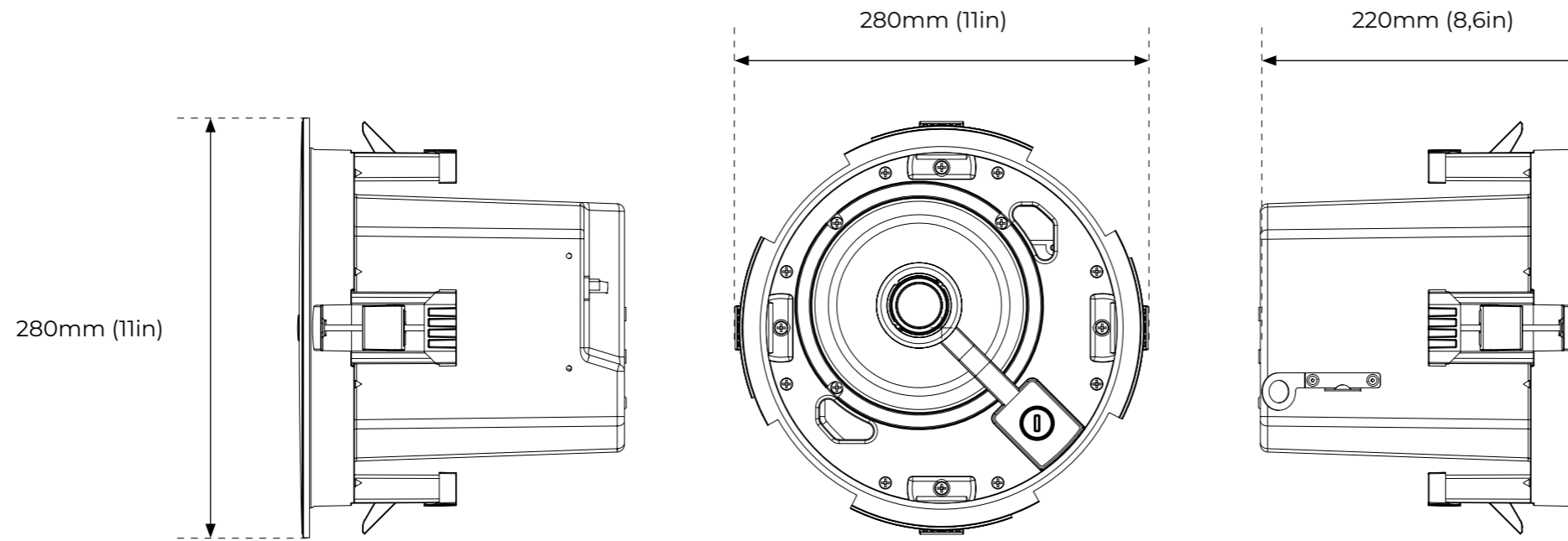


DECO-40-T

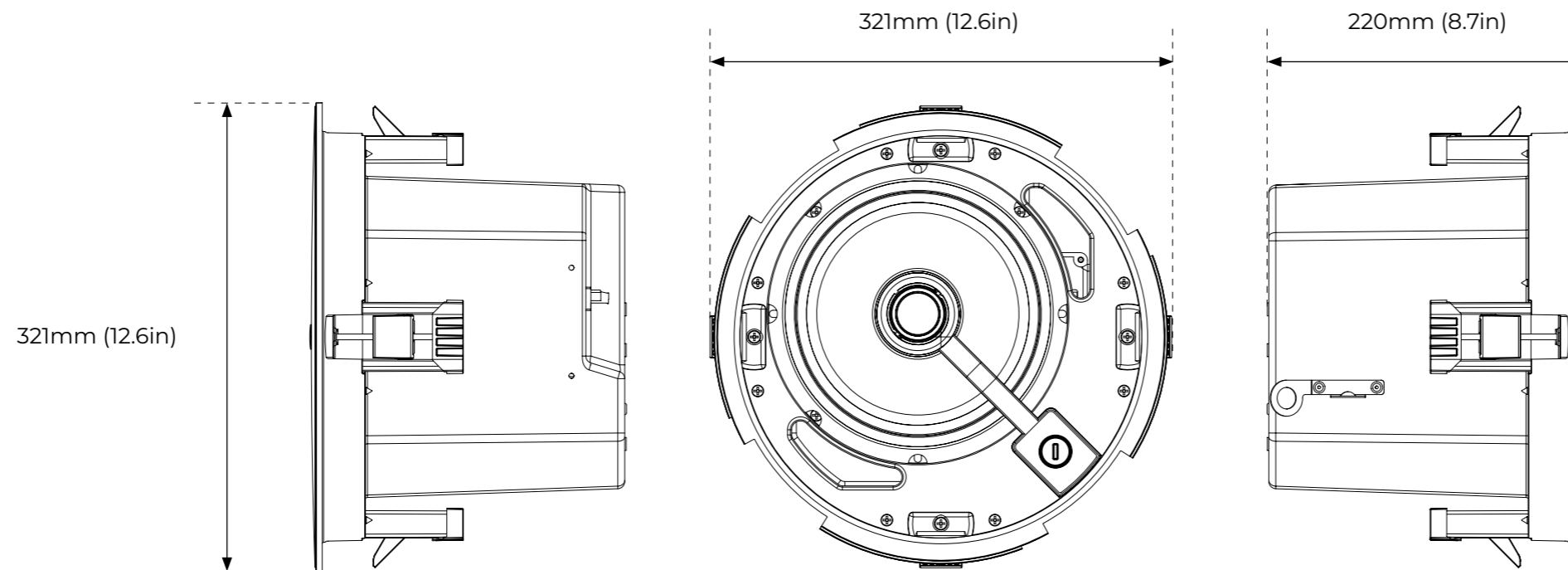


DECO SERIES Line Drawings

DECO-65-T

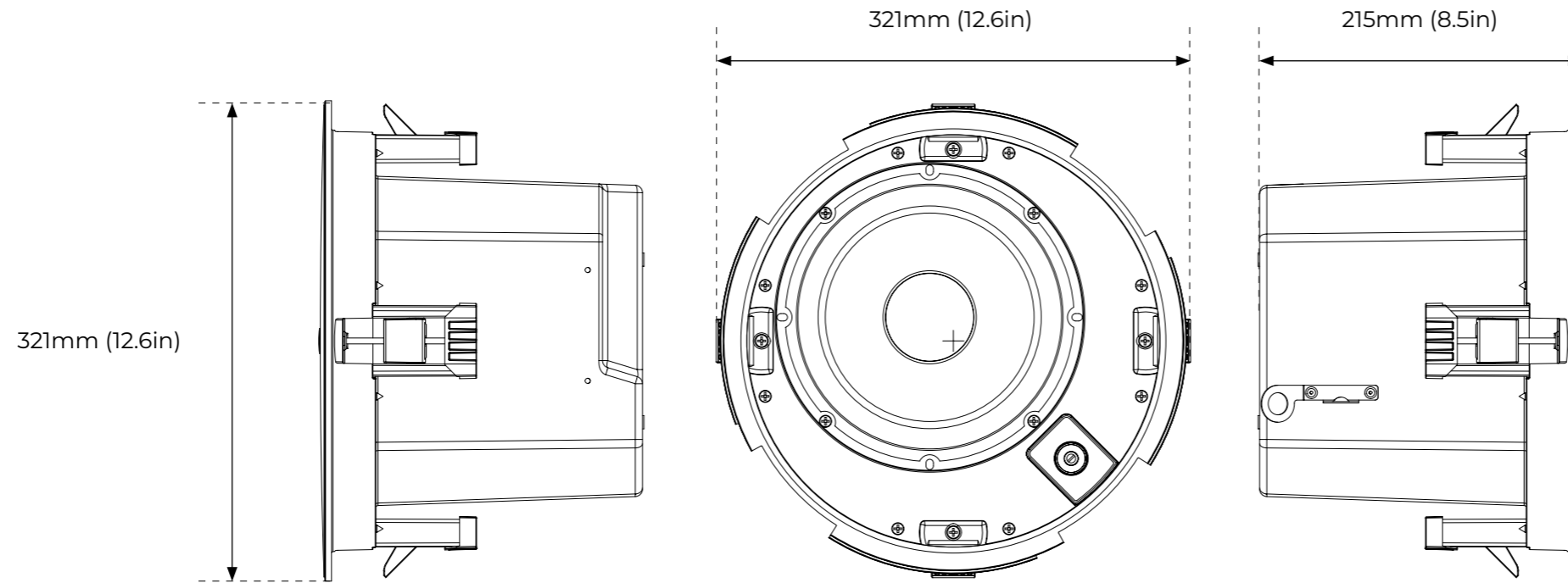


DECO-80-T



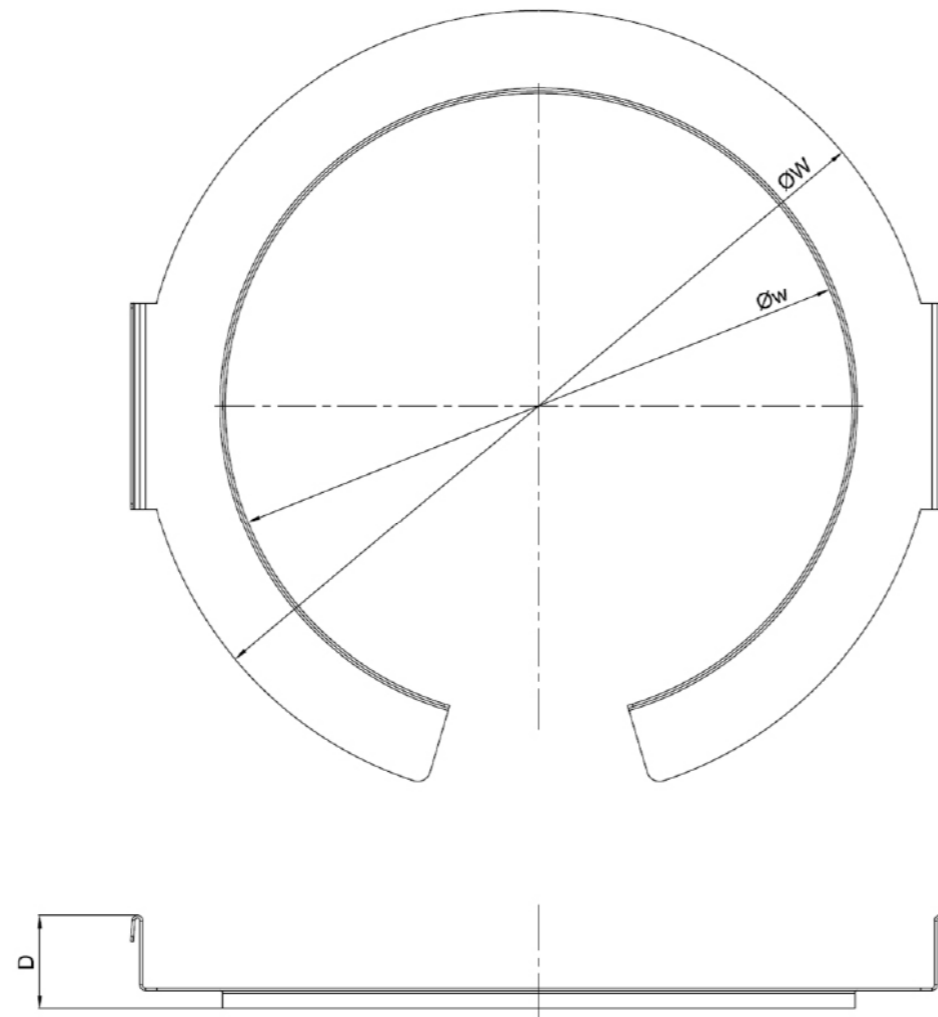
DECO SERIES Line Drawings

DECO-80-TS



DECO SERIES
Line Drawings

O RING

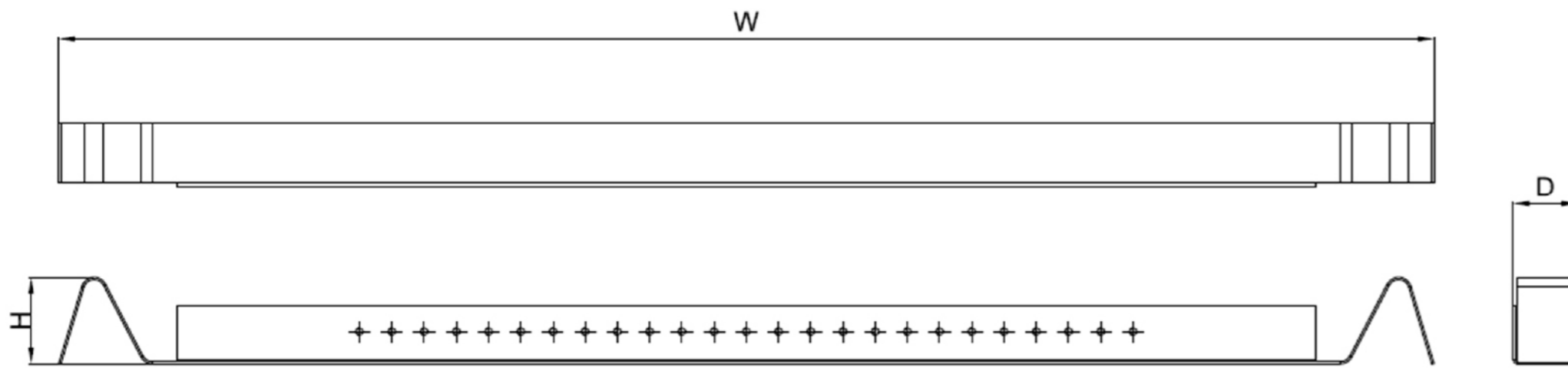


PRODUCT NAME	DIMENSIONS W mm	DIMENSIONS w mm	DIMENSIONS D mm	DIMENSIONS W IN	DIMENSIONS w IN	DIMENSIONS D IN
DECO-40-T / DECO-40-T-LP	247	183	36	9,8	7,2	1,4
DECO-65-T	307	243	36	12	9,6	1,4
DECO-80-T / DECO-80-TS	352	288	36	13,8	11,3	1,4

DECO SERIES

Line Drawings

TILE RAILS



PRODUCT NAME	DIMENSION H mm	DIMENSION W mm	DIMENSION D mm	DIMENSION H IN	DIMENSION W IN	DIMENSION D IN
TILE RAIL DECO	40	640	30	1,6	25,2	1,2

DECO SERIES

Installation

Connectors

All DECO PLUS series models of DAS have been designed for an easy connection. They are equipped with 4 pin terminal Euroblock connectors for input and output connections to other units, except DECO-80TS units that include 5 pin barrier strip terminals.

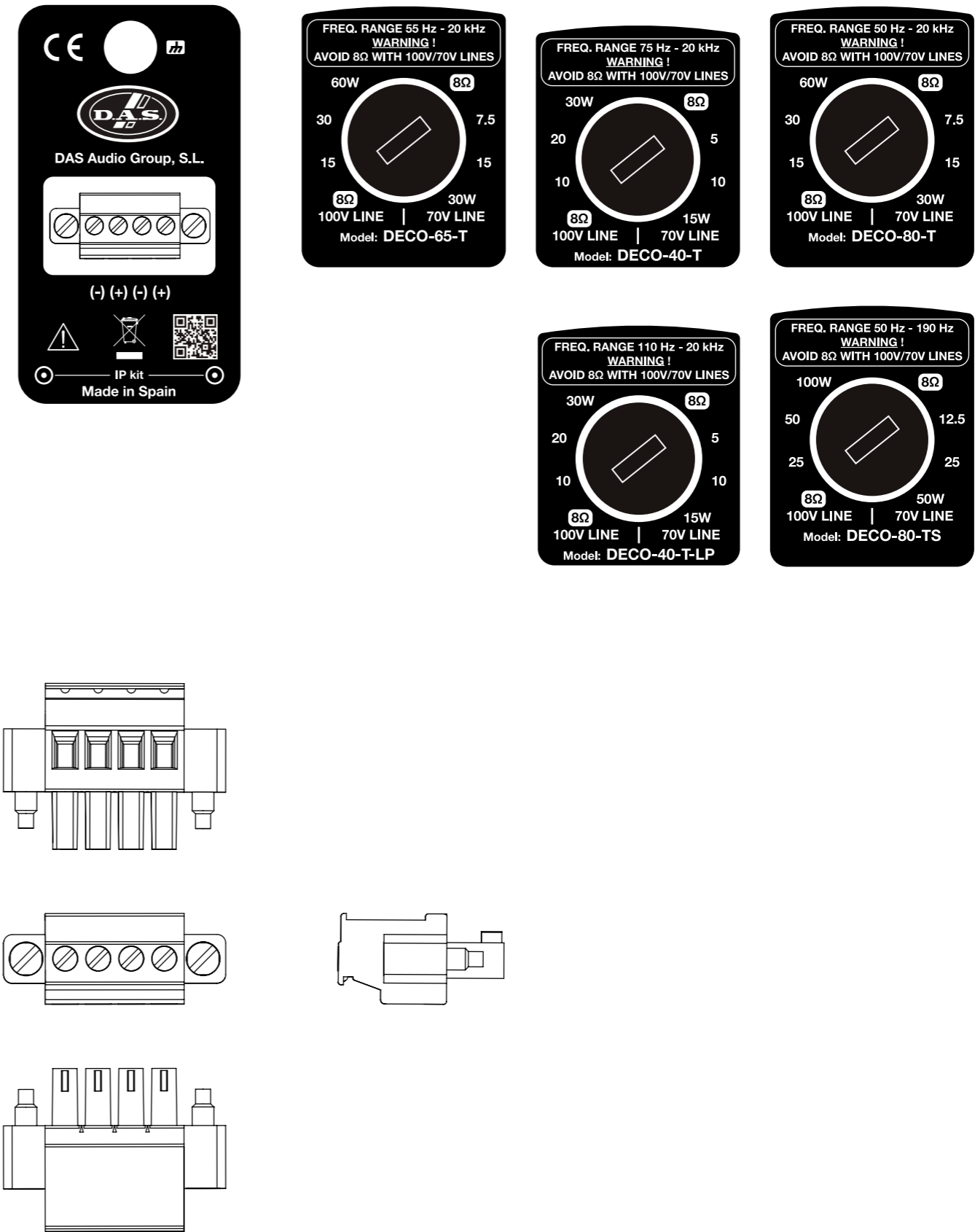
The polarity of the contacts, as well as other important indications for their correct connection, are indicated on the labels.

Units with internal transformer include a selector of the power introduced to the loudspeakers, for 70V and 100V lines, including also a direct connection (Low-Z mode) without transformer at the 8Ω position.

WIRE GAUGE from 1mm² (18 AWG) to 2.5mm² (14 AWG).

DECO-65-T	70V	7.5W	15W	30W
	100V	15W	30W	60W
DECO-40-T DECO-40-T-LP	70V	5W	10W	15W
	100V	10W	20W	30W
DECO-80-T	70V	7.5W	15W	30W
	100V	15W	30W	60W
DECO-80-TS	70V	12.5W	25W	50W
	100V	25W	50W	100W

Connector included in the device for easy connection. Pay attention to the polarity indicated on the label when screwing the connection cable.



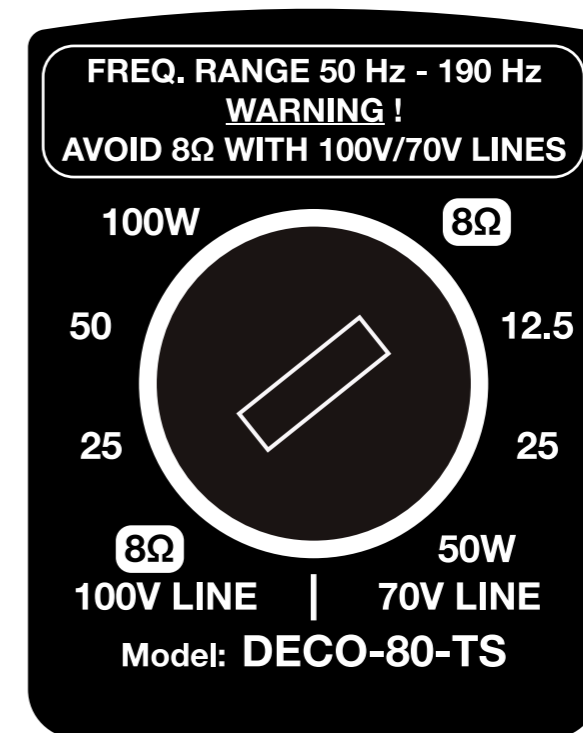
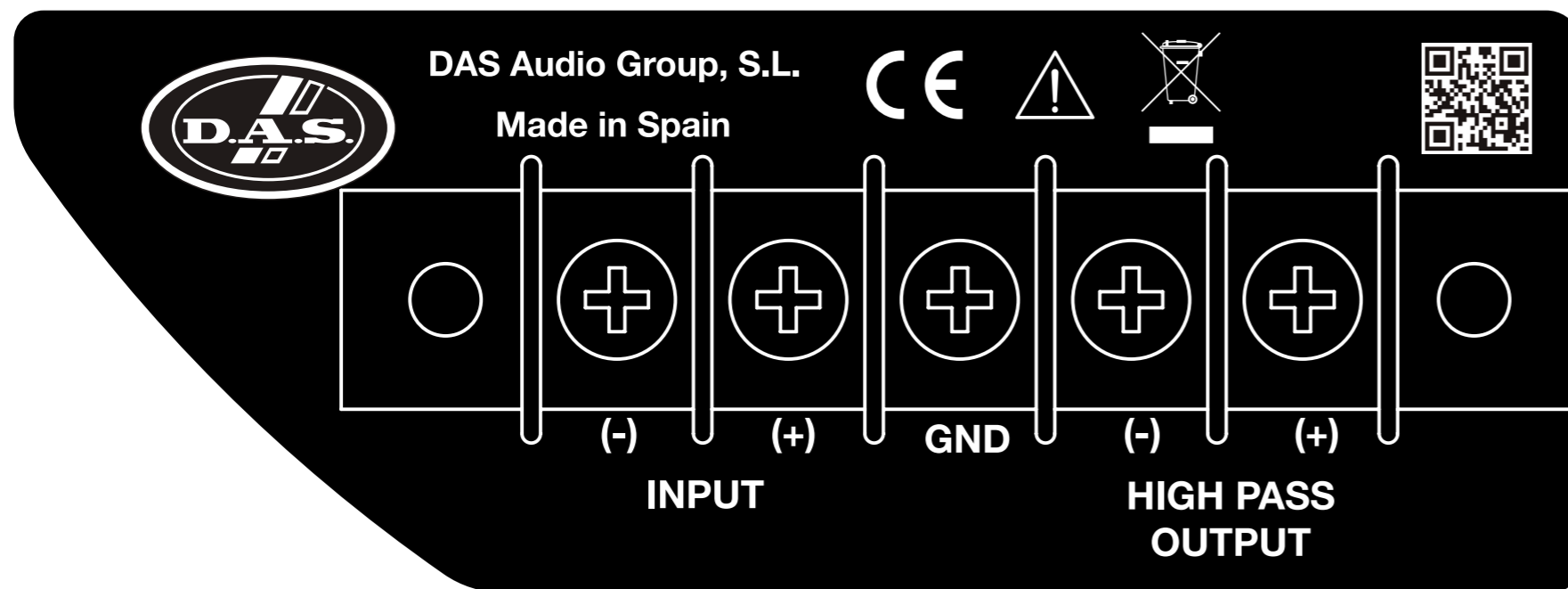
DECO SERIES

Installation

The low frequency unit DECO-80TS is provided with a 5 pin barrier strip terminal, indicating the INPUT terminals, and the internally HIGH PASS filtered signal available as an output signal to be sent up to 2 satellite units un parallel (DECO-40T/60T/80T) in Low-Z mode.

WARNING: In case of using several low frequency DECO-80TS units, they must be connected in parallel using the INPUT terminals. Do not use the HIGH PASS output terminals.

The polarity of the contacts, as well as other important indications for their correct connection, are indicated on the labels.



DECO SERIES

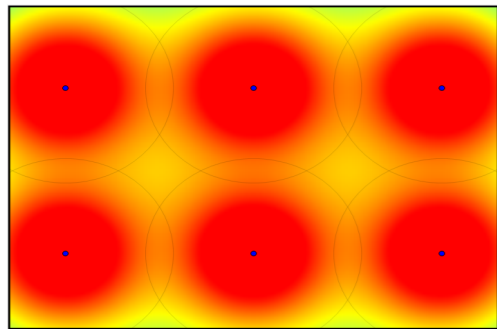
Installation

Below are the recommended configuration options for each of the DECO models, based on a standard ceiling height.

Users can carry out acoustic predictions prior to installation using prediction software such as EASE Address, EASE Evac or EASE Focus. DAS Audio provides the GLL files free of charge through its website's downloads page.

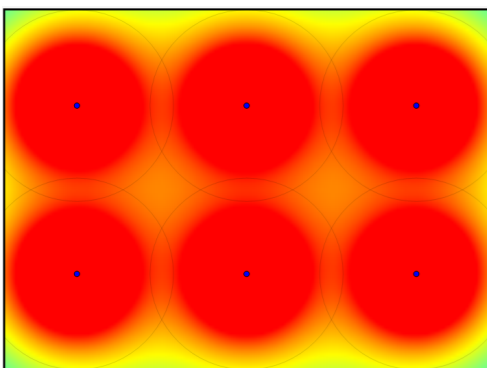
DECO-40-T and LP

For a standard ceiling height of 4 meters and a typical listening height of approximately 1.7 meters, it is recommended to space the loudspeakers between 6 and 8 meters apart. This ensures a smooth transition between sources without significant loss of level in the mid and high frequencies.



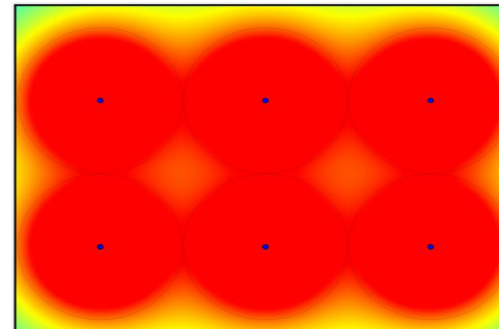
DECO-65-T

For a standard ceiling height of 4 meters and a typical listening height of approximately 1.7 meters, it is recommended to space the loudspeakers between 5 and 7 meters apart.



DECO-80-T

For a standard ceiling height of 4 meters and a typical listening height of approximately 1.7 meters, it is recommended to space the loudspeakers between 4.5 and 6.5 meters apart.



DECO-80-TS

To determine the subwoofer layout, as well as the number of units or their relative output level, it is essential to consider several factors, such as the size of the room, the number of full-range units to be installed, and the type of activity that will take place in the venue.

It is recommended to install one DECO-80-TS subwoofer for every two full-range units, or to follow a 1:1 ratio in applications that require greater tonal balance in the low frequencies. To achieve consistent tonal balance throughout the room, it is recommended to place a full-range unit near each subwoofer, helping to maintain uniform dispersion throughout the room.

When positioning subwoofers, it is important to consider the potential for destructive interferences between units. A minimum spacing of 10 meters is therefore recommended whenever possible. Placing subwoofers near walls or room corners may help increase their level by up to 6 dB.

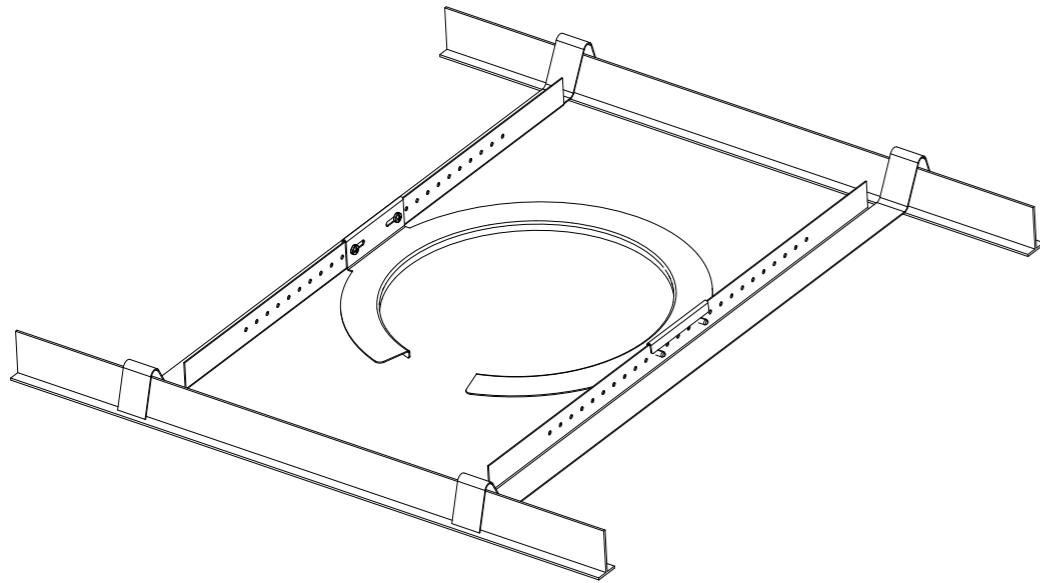
DECO SERIES

Installation

Cut a circular hole on the ceiling following the indicated dimension.

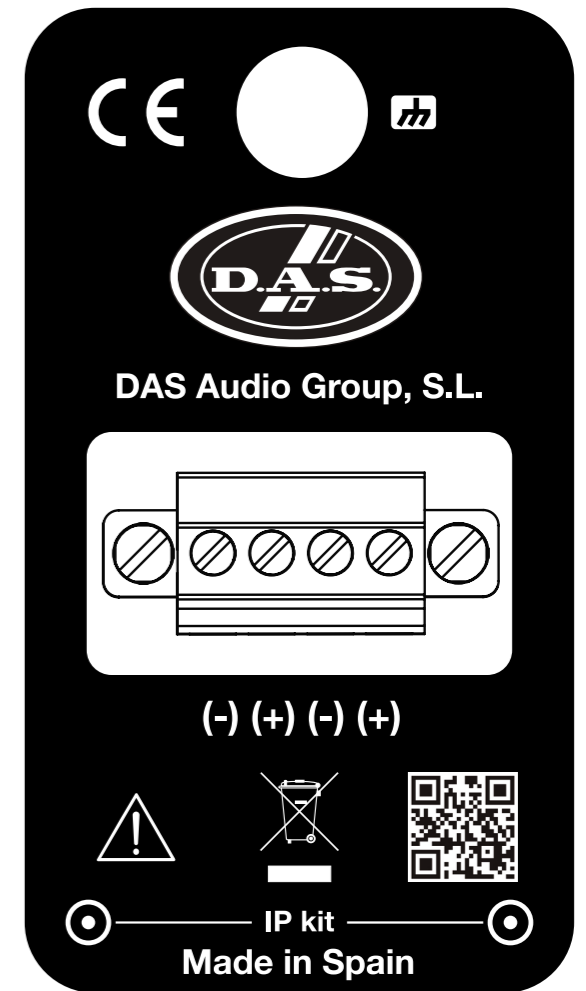
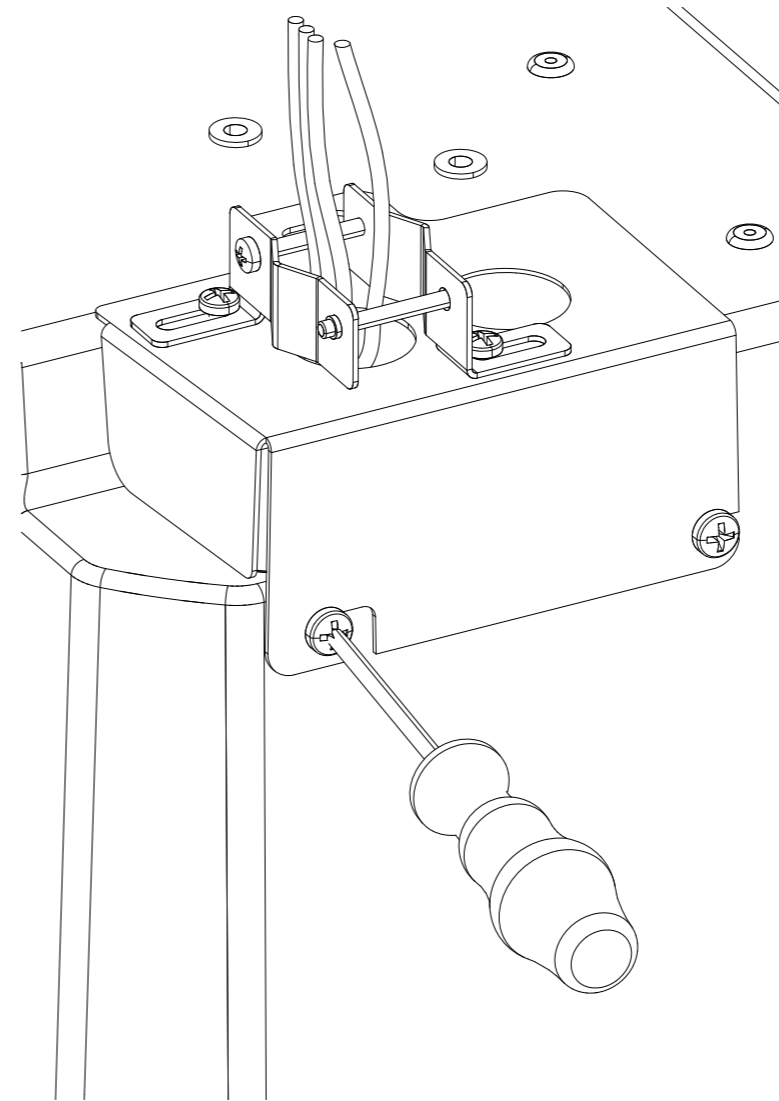
PRODUCT NAME	mm	in
DECO-40-T	185	7.3
DECO-40-T-LP	185	7.3
DECO-65-T	220	8.6
DECO-80-T	290	11.4
DECO-80-TS	290	11.4

Mount the tile rails and the tile oring on the ceiling structure inserting them through the ceiling hole, fix them using the included screws.



DECO-40-T/DECO-40-T-LP/DECO-65-T/DECO-80-T

Using the included terminal, connect the wires following the order indicated at the label.

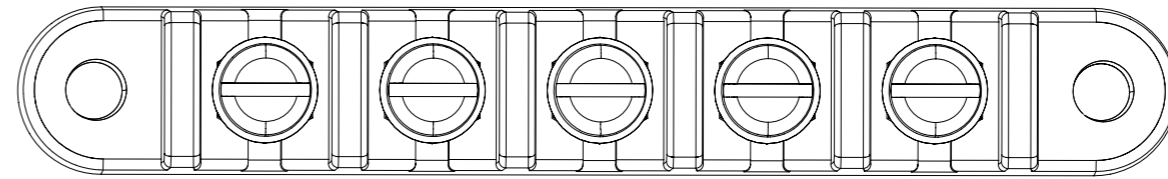
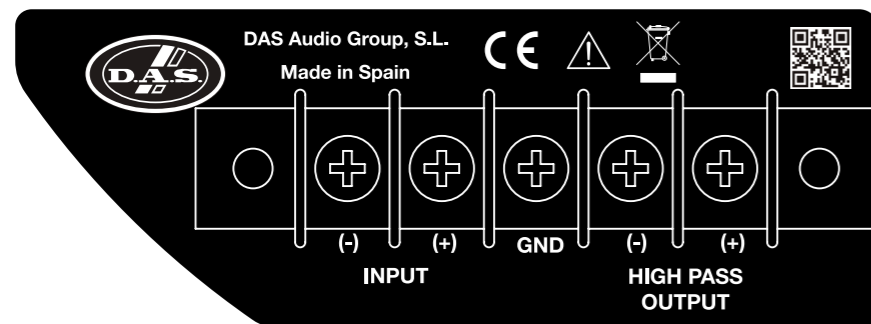


DECO SERIES

Installation

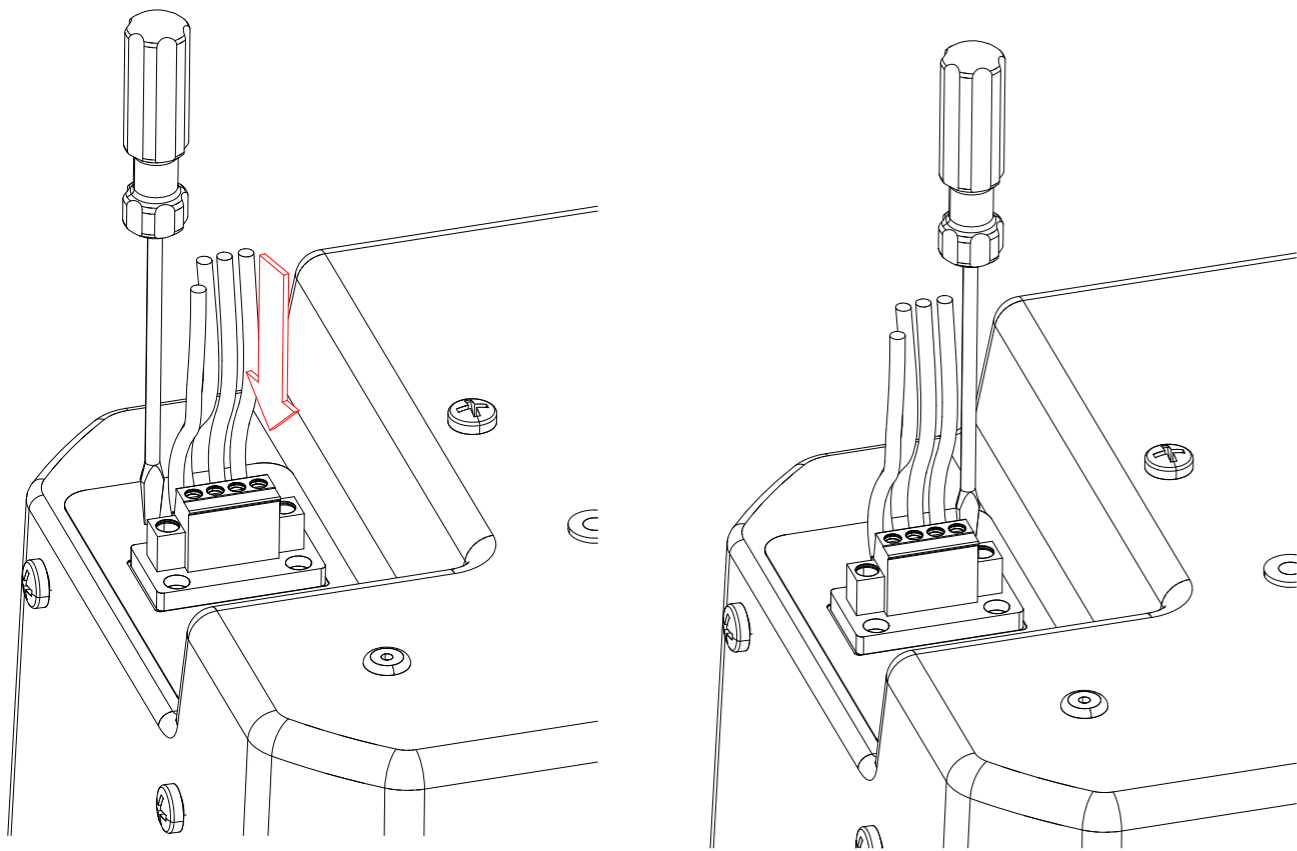
DECO-80-TS

Connect the wires following the order indicated at the label.

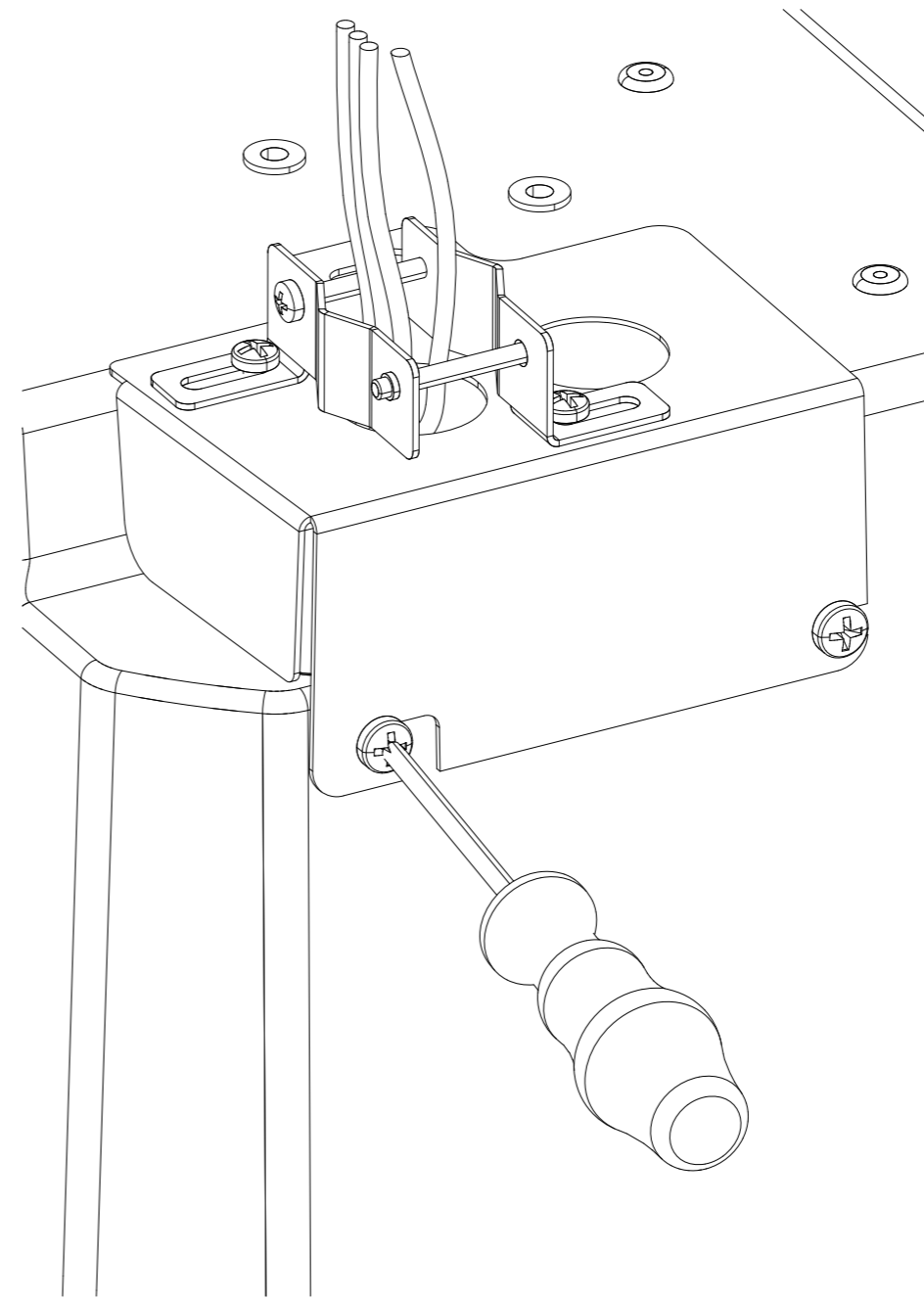


DECO SERIES Installation

Plug the terminal in the system socket and tighten it screwing the side screws.

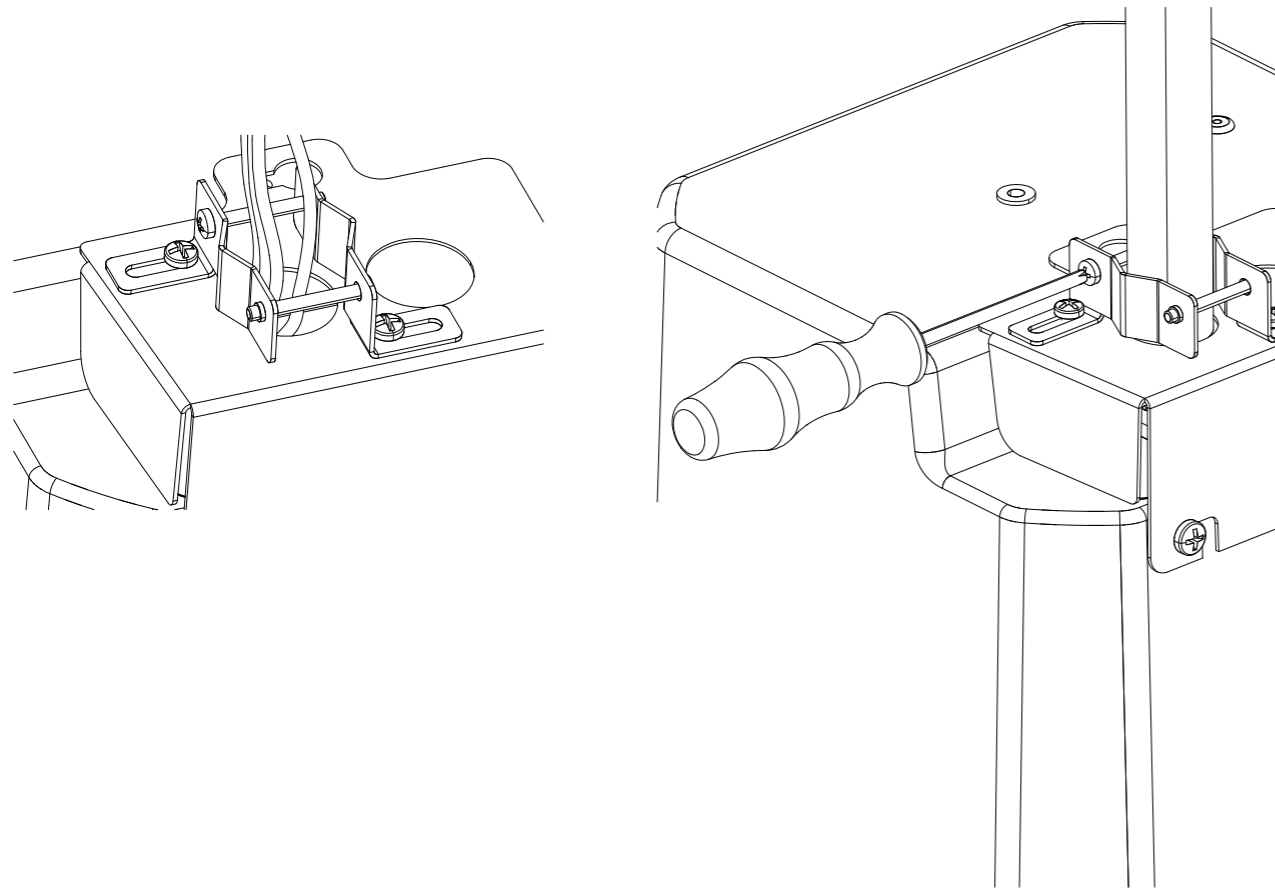


Unscrew partially the connector cover screws. Place the connector cover. Screw the connector cover screws to tighten it.

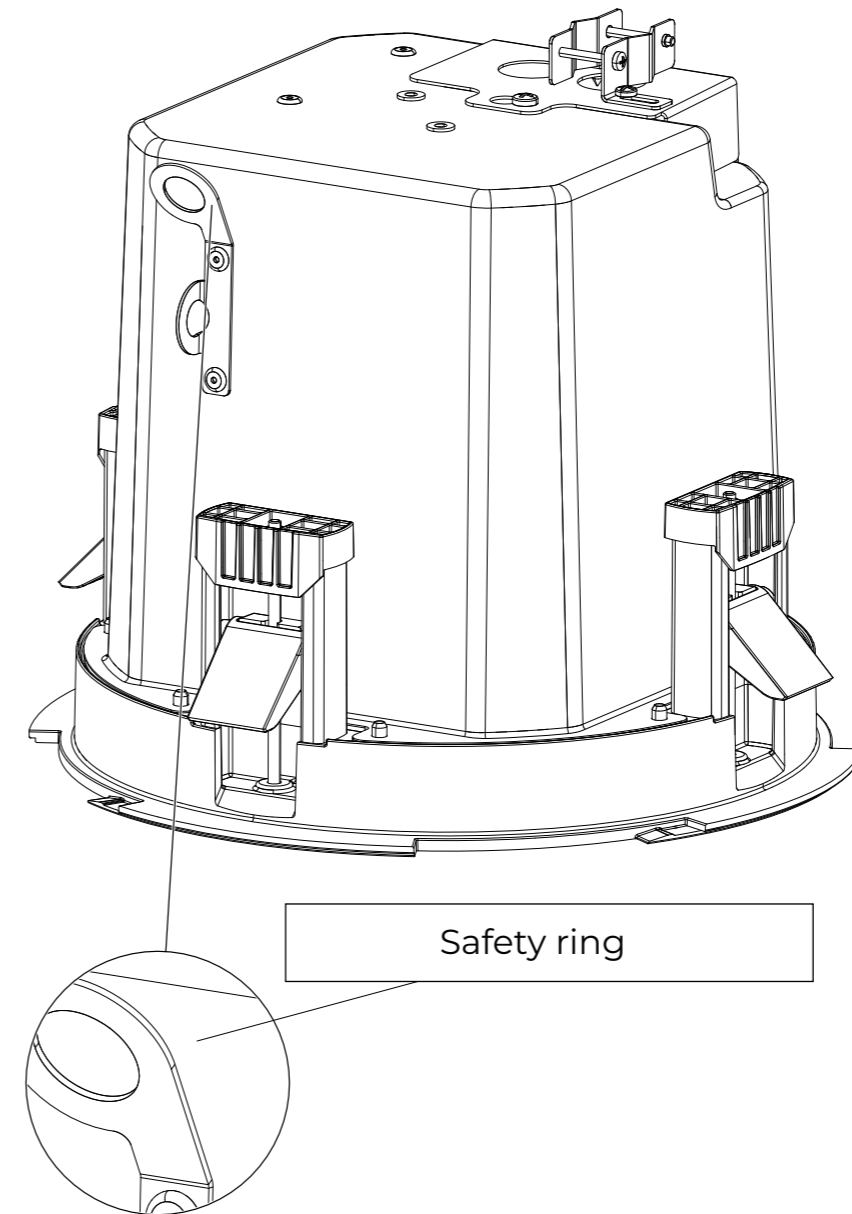


DECO SERIES Installation

Open the connector cover clamps. Insert the cabling conduct (maximum diameter of 25mm). Close the clamps to fix the conduct.



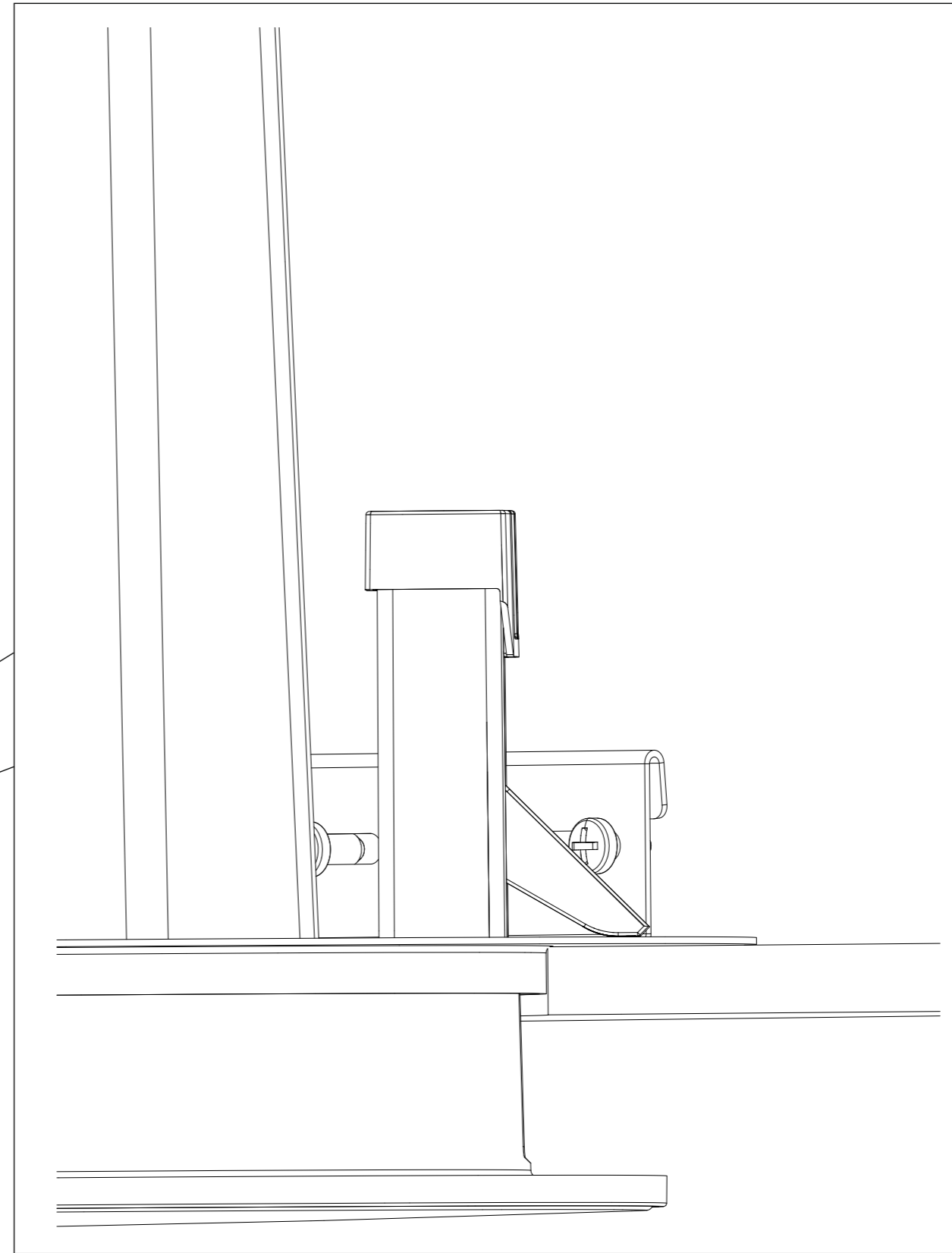
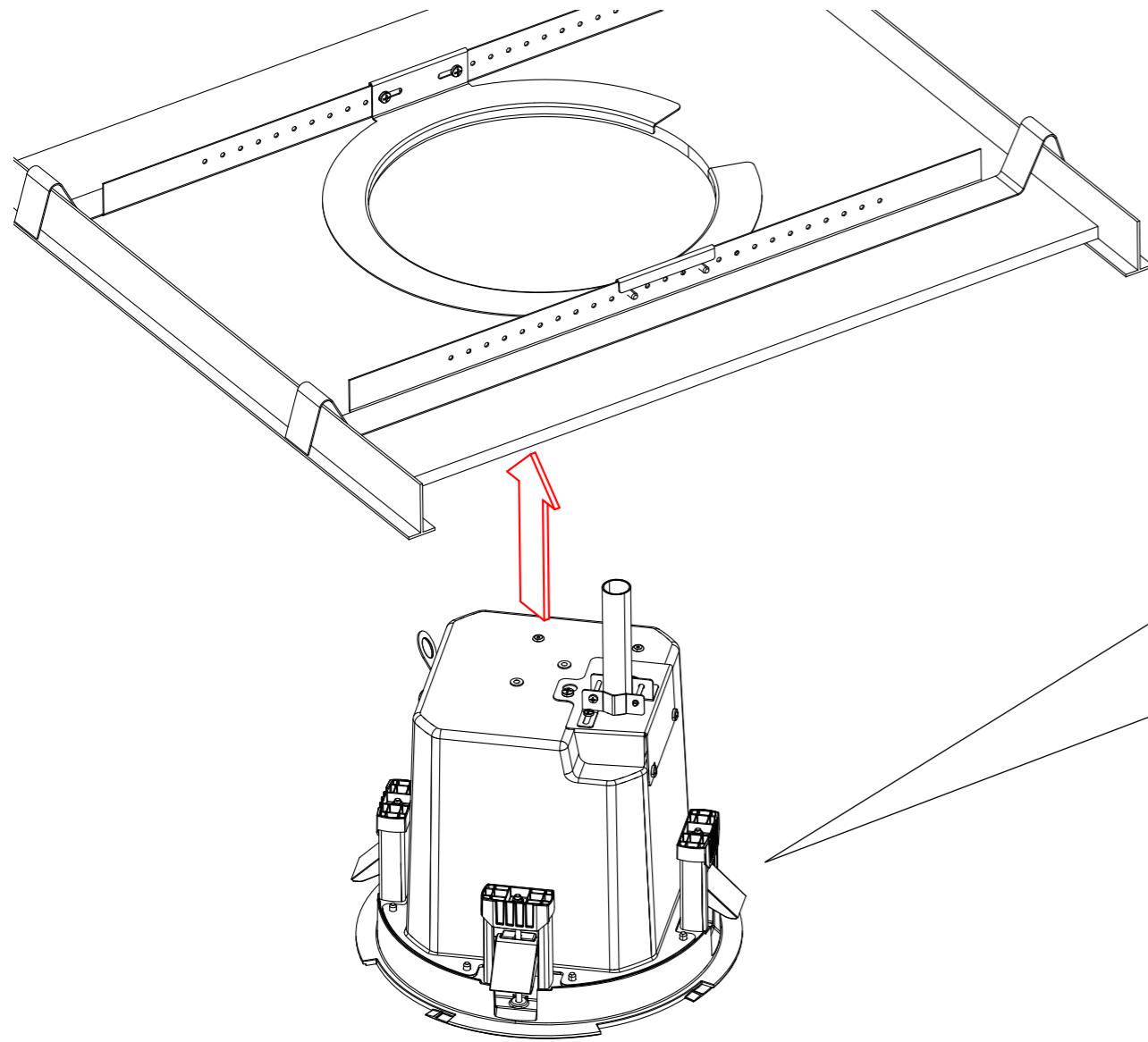
Safety ring.



DECO SERIES

Installation

Insert the system through the ceiling hole. Check the clamps are correctly open, the clamps keep the system hanging.



DECO SERIES

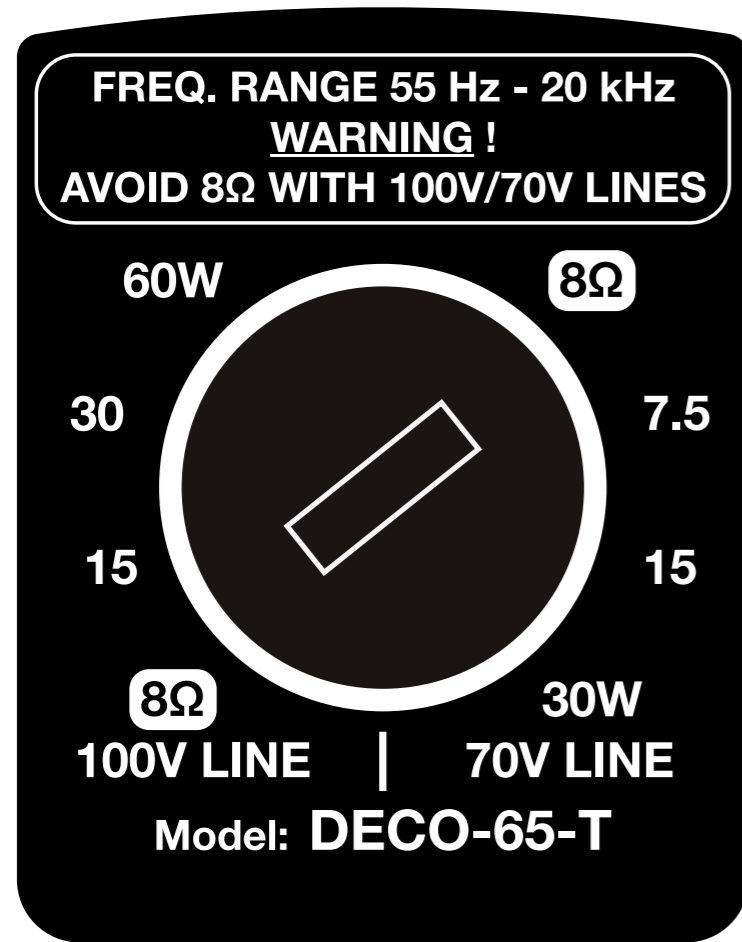
Installation

Tighten the clamps using the front screws.

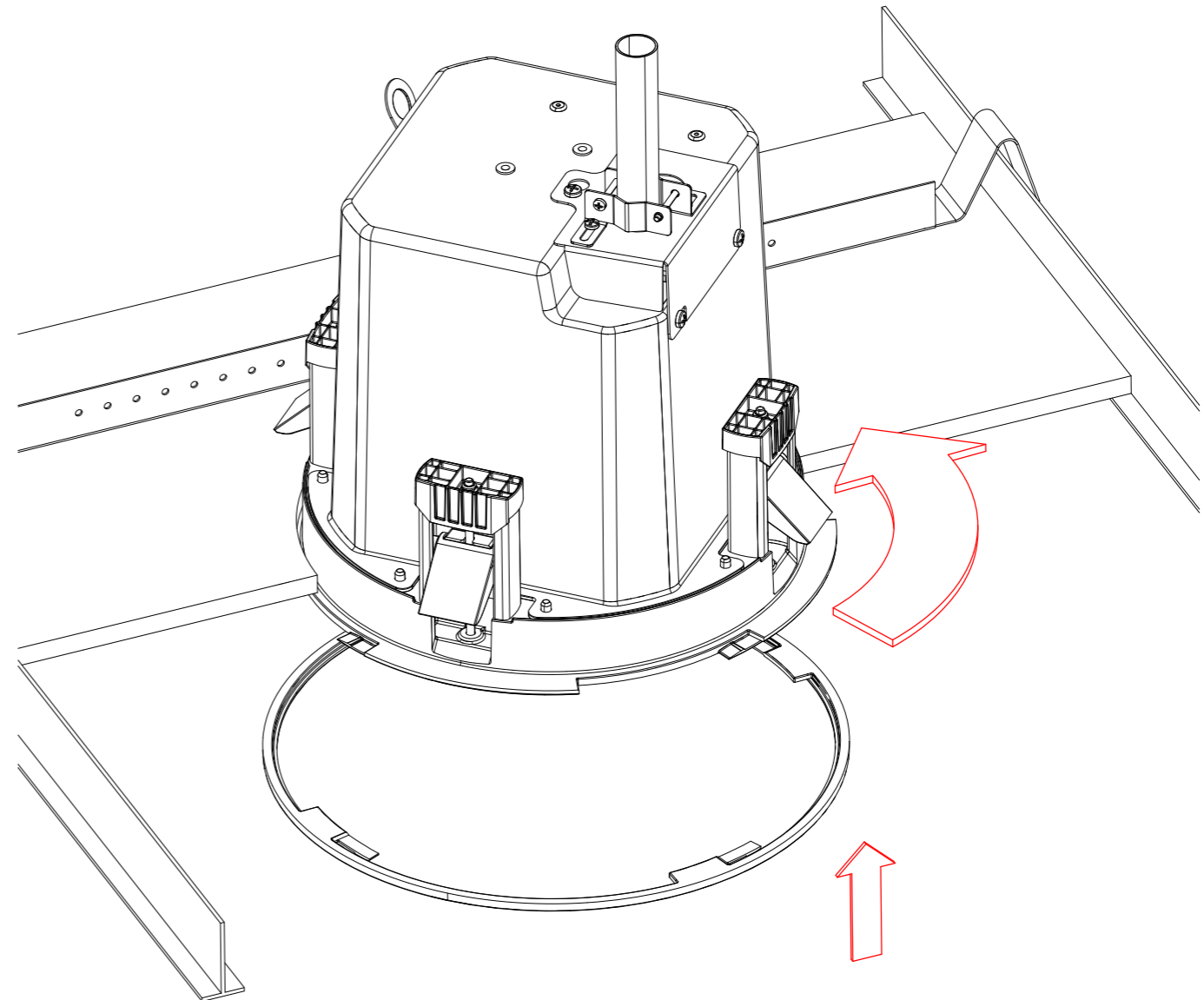


DECO SERIES Installation

Set the required power.



Insert the grille in the system and spin to fix it.



DECO SERIES Accessories



To perform any operations related to flying the system, read the present document first, and act on the warnings and advice given.

The goal is to allow the user to become familiar with the mechanical elements required to fly the acoustic system, as well as the safety measures to be taken during set-up and teardown.

Only experienced installers with adequate knowledge of the equipment and local safety regulations should fly speaker boxes.

It is the user's responsibility to ensure that the systems to be flown (including flying accessories) comply with state and local regulations.

The working load limits in this manual are the results of tests by independent laboratories. It is the user's responsibility to stay within safe limits. It is the user's responsibility to follow and comply with safety factors, resistance values, periodical supervisions and warnings given in this manual.

Product improvement by means of research and development is on going at DAS Specifications are subject to change without notice.

It is common practice to apply 5:1 safety factors for enclosures and static elements.

For slings and elements exposed to material fatigue due to friction and load variation the following ratios must be met; 5:1 for steel cable slings, 4:1 for steel chain slings and 7:1 polyester slings.

Thus, an element with a breaking load limit of 1000 kg may be statically loaded with 200 kg (5:1 safety factor) and dynamically loaded with 142 Kg (7:1 safety factor).

The load capacity, of each lift motor, should correspond to a safety factor of 10:1.

When flying a system, the working load must be lower than the resistance of each individual flying point in the enclosure, as well as each box.

Hanging hardware should be regularly inspected and suspect units replaced if in doubt.

This is important to avoid injury and absolutely no risks should be taken in this respect. It is highly recommended that you implement an inspection and maintenance program on flying elements, including reports to be filled out by the personnel that will carry out the inspections.

Local regulations may exist that, in case of accident, may require you to present evidence of inspection reports and corrective actions after defects were found.

Absolutely no risks should be taken with regards to public safety. When flying enclosures from ceiling support structures, extreme care should be taken to assure the load bearing capabilities of the structures so that the installation is absolutely safe.

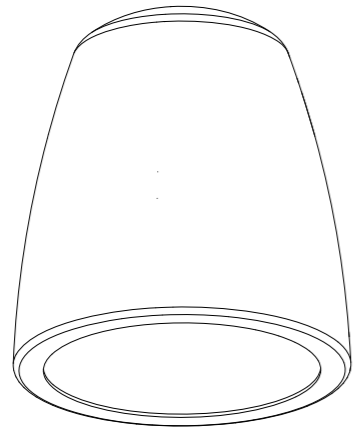
Do not fly enclosures from unsafe structures.

Consult a certified professional if needed.

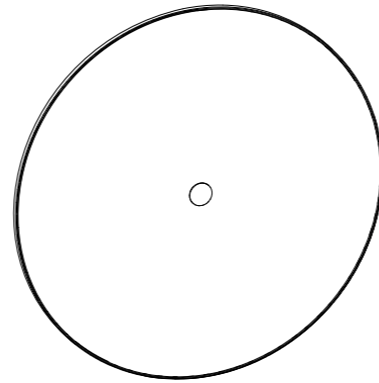
All flying accessories that are not supplied by DAS Audio are the user's responsibility. Use at your own risk.

DECO SERIES
Accessories: PK

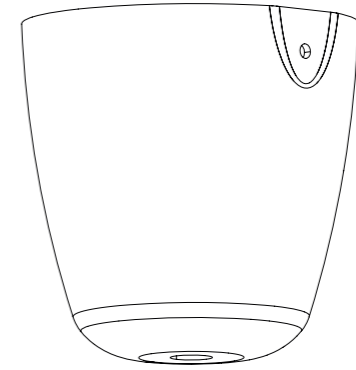
1 x Cover Deco-pendant



1 x DECO white grille (Only black version)

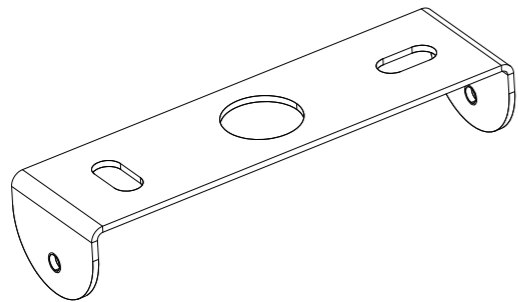


1 x DECO Rose

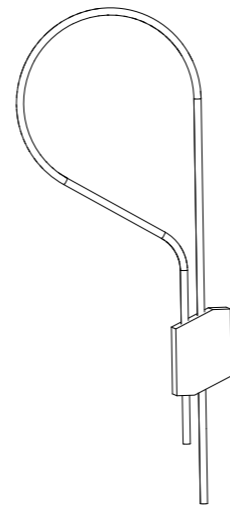


**2x M3x8 screw
2x M4x10 screw**

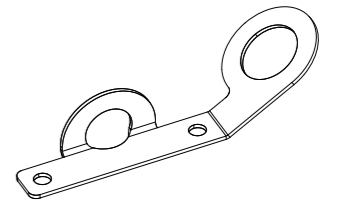
1x DECO Rose bracket



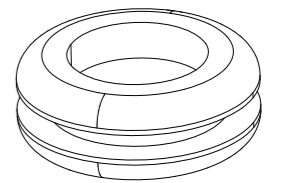
2x DECO Gripple® hanging wire



1 x DECO Safety ring

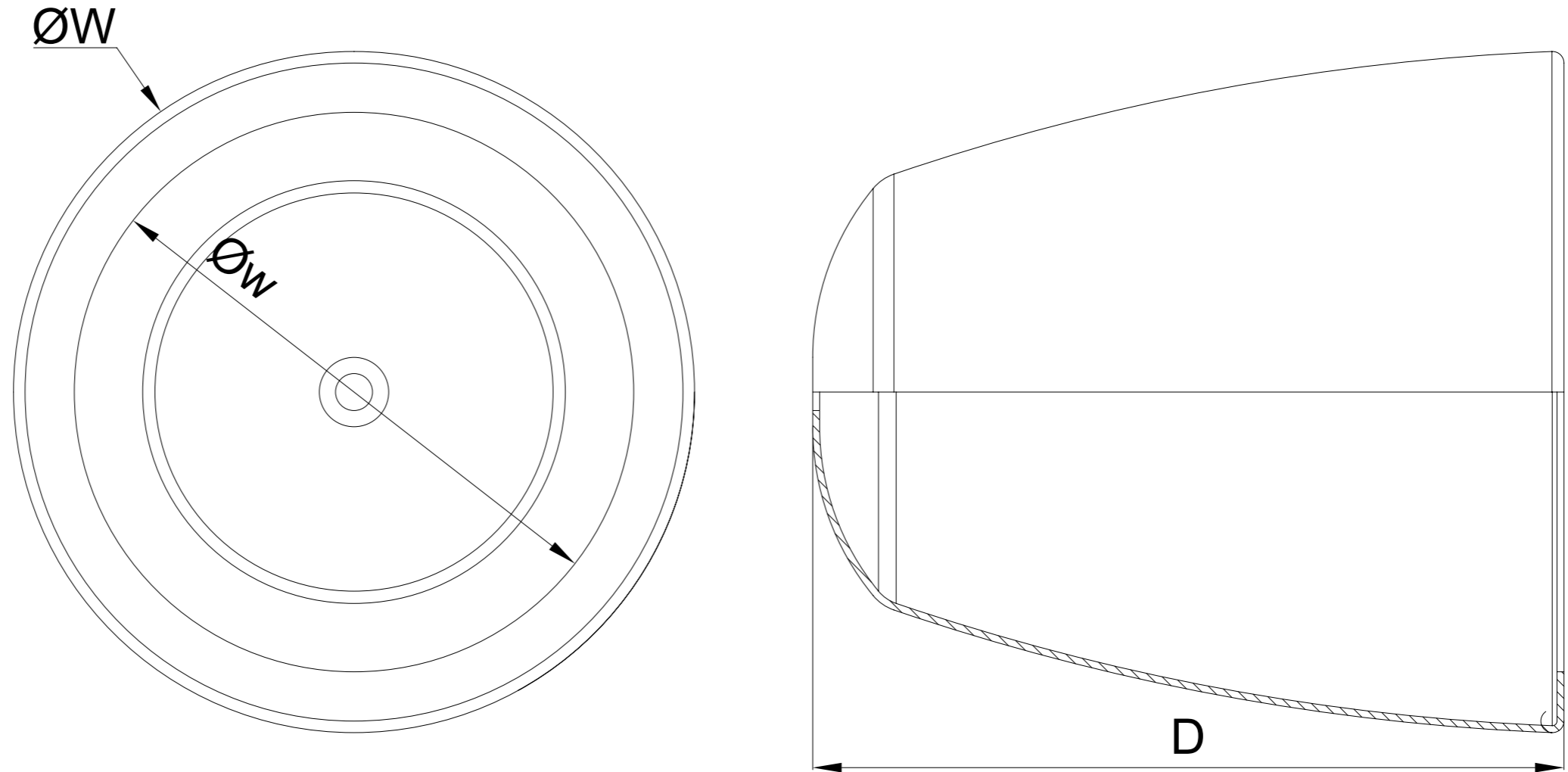


1 x DECO Cable grommet



DECO SERIES
Accessories: PK

Dimensions



PRODUCT NAME	DIMENSIONS W mm	DIMENSIONS w mm	DIMENSIONS D mm	DIMENSIONS W IN	DIMENSIONS w IN	DIMENSIONS D IN
DECO-40-T / DECO-40-T-LP	235	182	195	9,3	7,2	7,7
DECO-65-T	295	242	325	11,6	9,5	12,8
DECO-80-T / DECO-80-TS	340	287	350	13,4	11,3	13,8

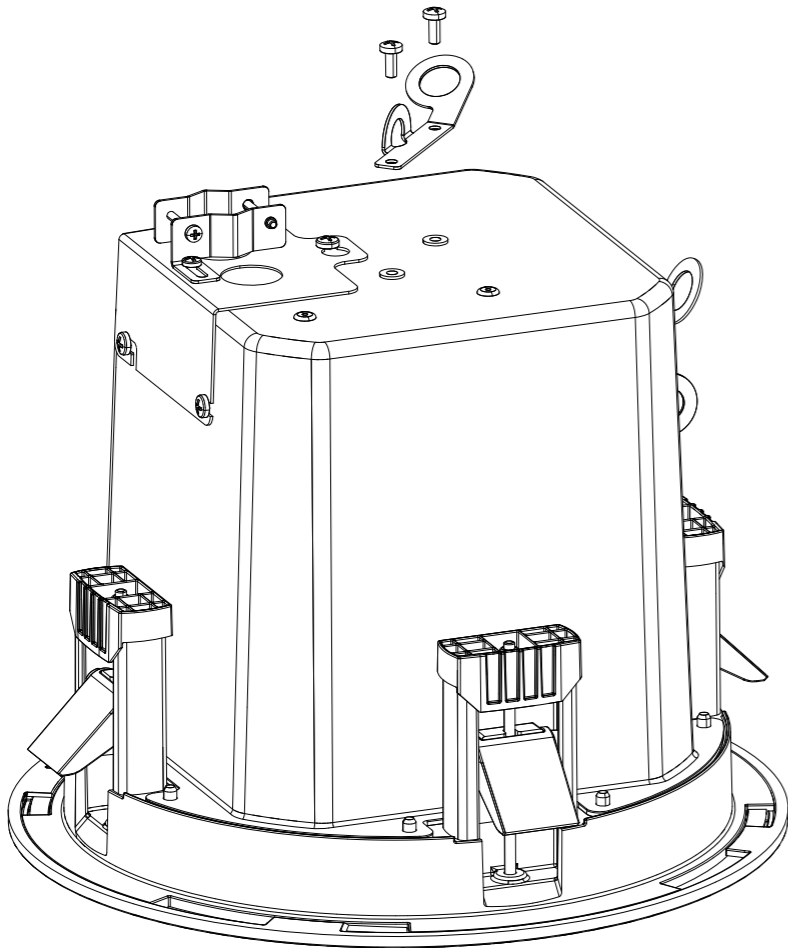
DECO SERIES

Accessories: PK

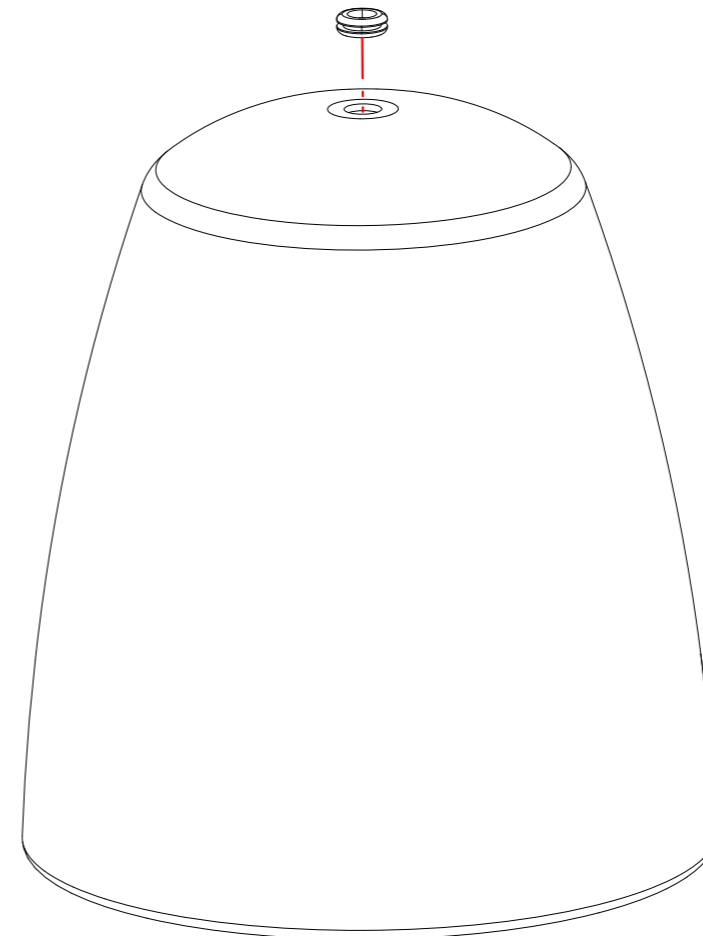
Installation

The order of the steps may be altered due to installation conditions.

1. Assemble the DECO Hanging ring at the back of the DECO system using the provided M4x10 screws.



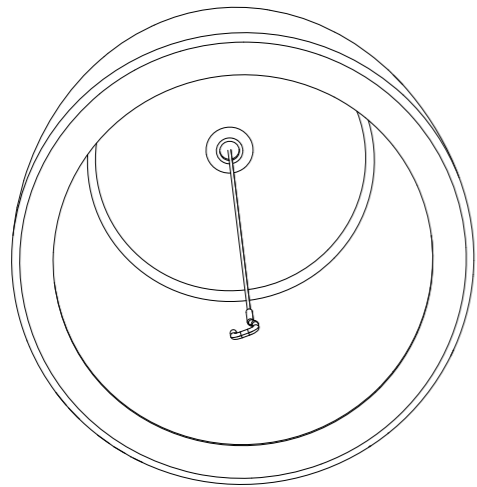
2. Insert the DECO Cable grommet in the smaller hole of the Cover Deco-pendant.



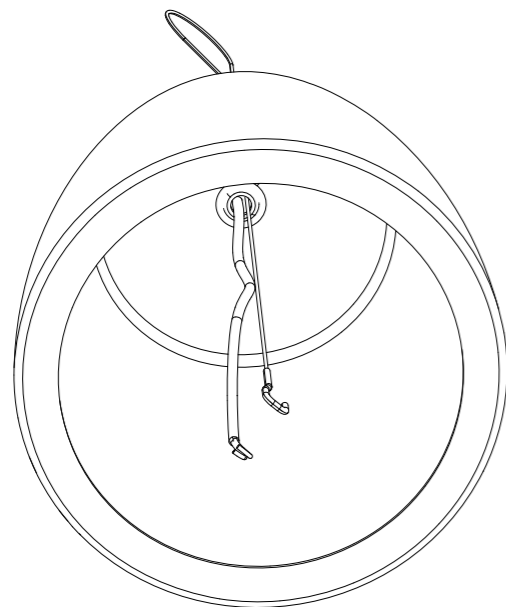
DECO SERIES

Accessories: PK

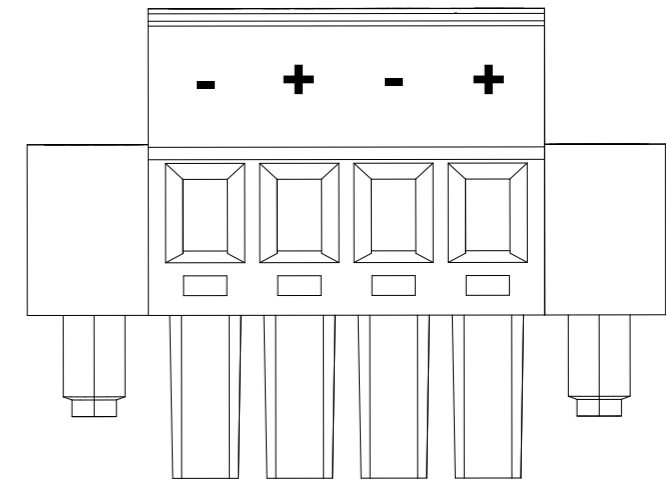
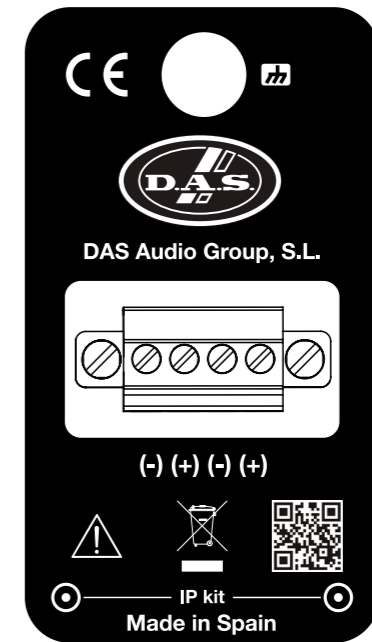
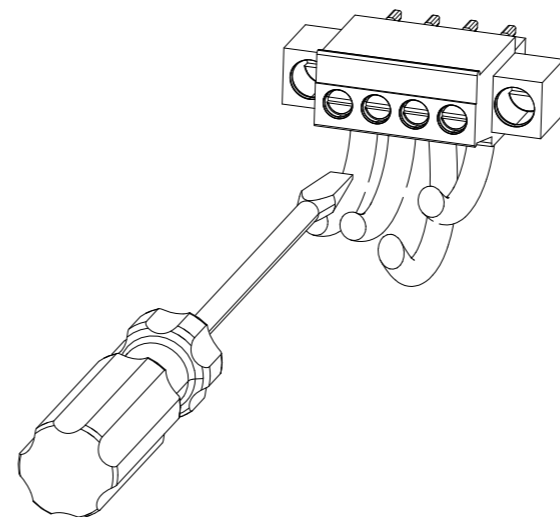
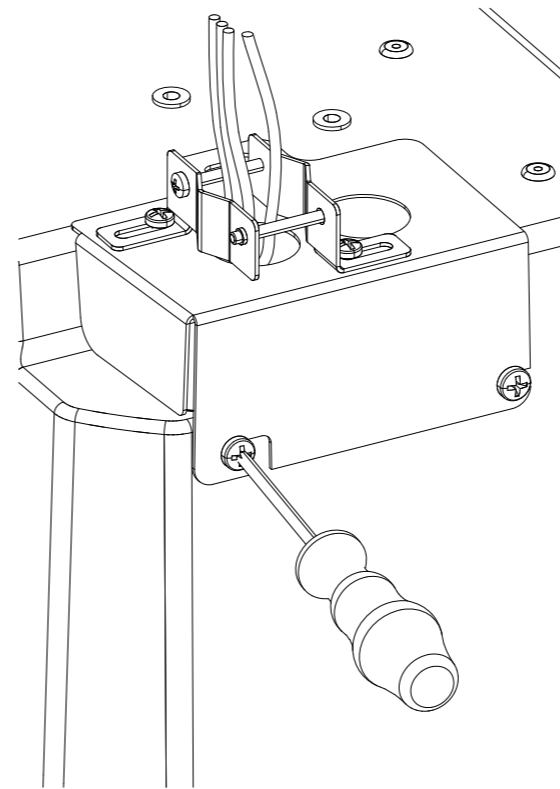
3. Insert the DECO Gripple® hanging wire through the cable grommet leaving the hook inside of the cover.



4. Insert the audio cable through the cable grommet.pendant.



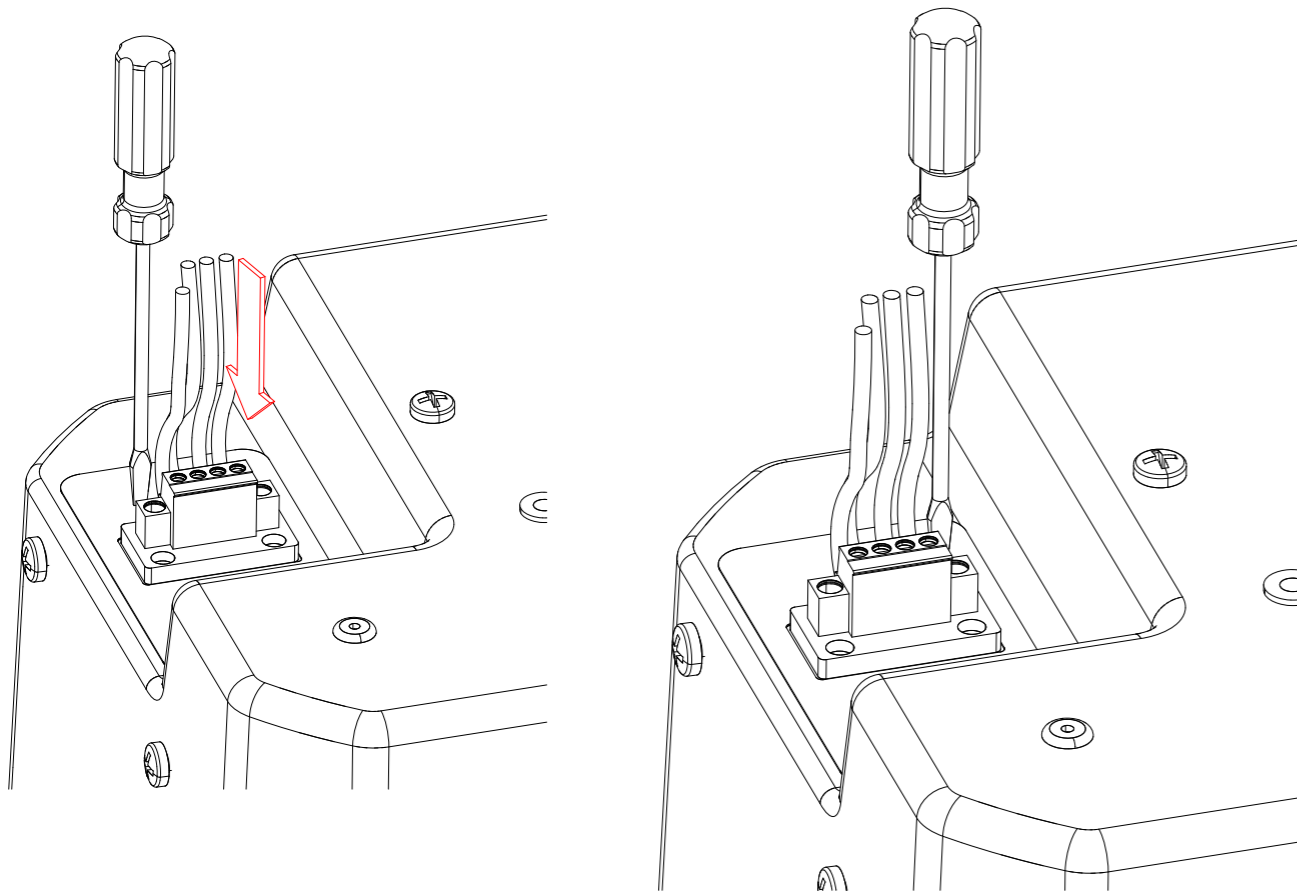
5. DECO-40-T/DECO-40-T-LP/DECO-65-T/DECO-80-T
Using the included terminal, connect the wires following the order indicated at the label.



DECO SERIES

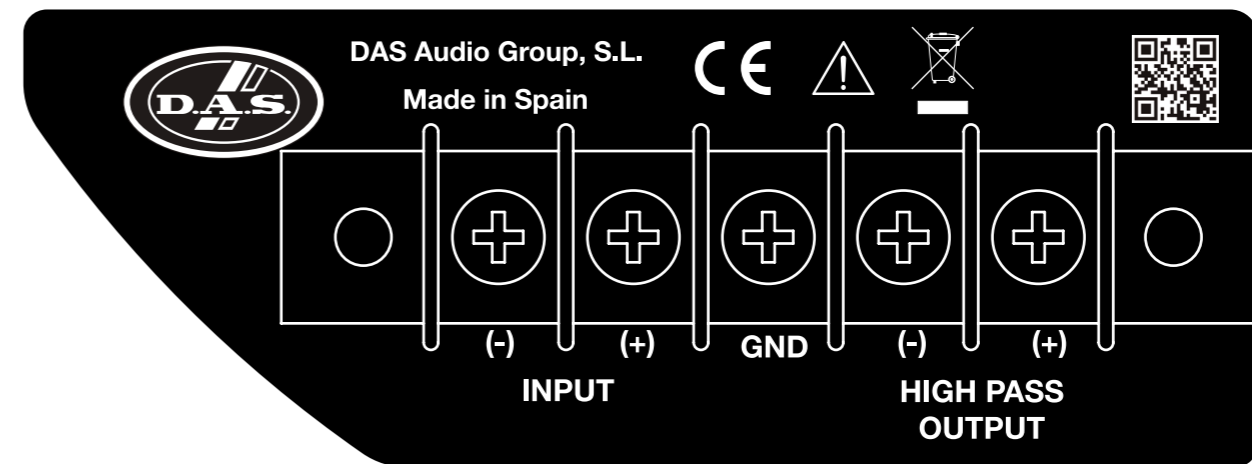
Accessories: PK

5.1. Plug the terminal in the system socket and tighten it screwing the side screws.



5. DECO-80-TS

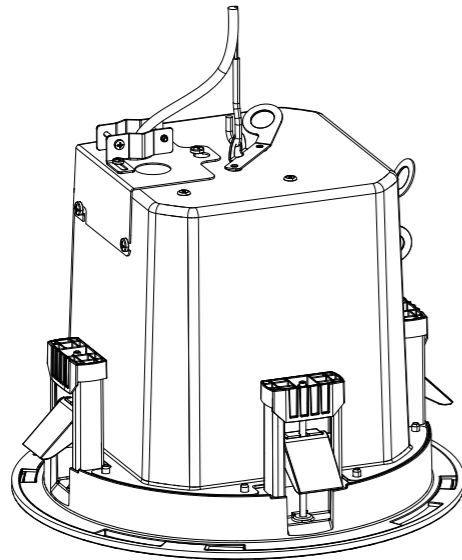
Connect the wires following the order indicated at the label.



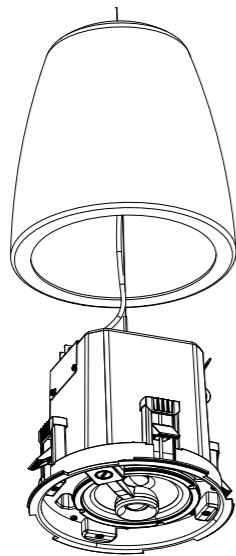
DECO SERIES

Accessories: PK

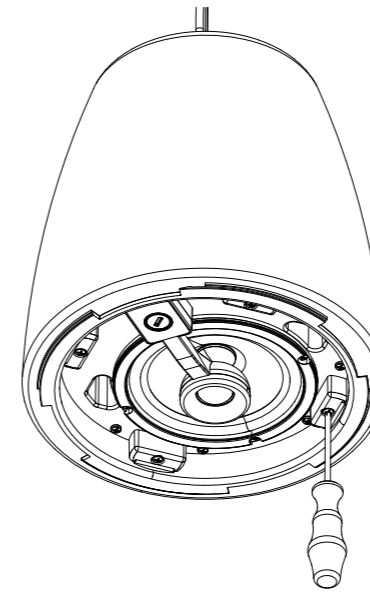
6. Link the wire hook and the DECO system using the safety ring mounted at the back.



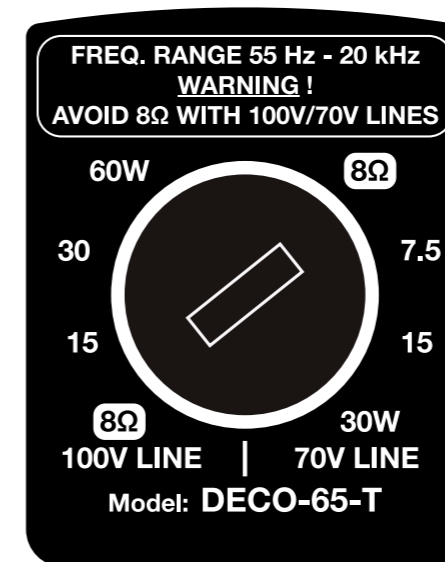
7. Insert the system in the cover. Check the clamps are correctly open, the clamps keep the system hanging.



8. Tighten the clamps using the front screws.

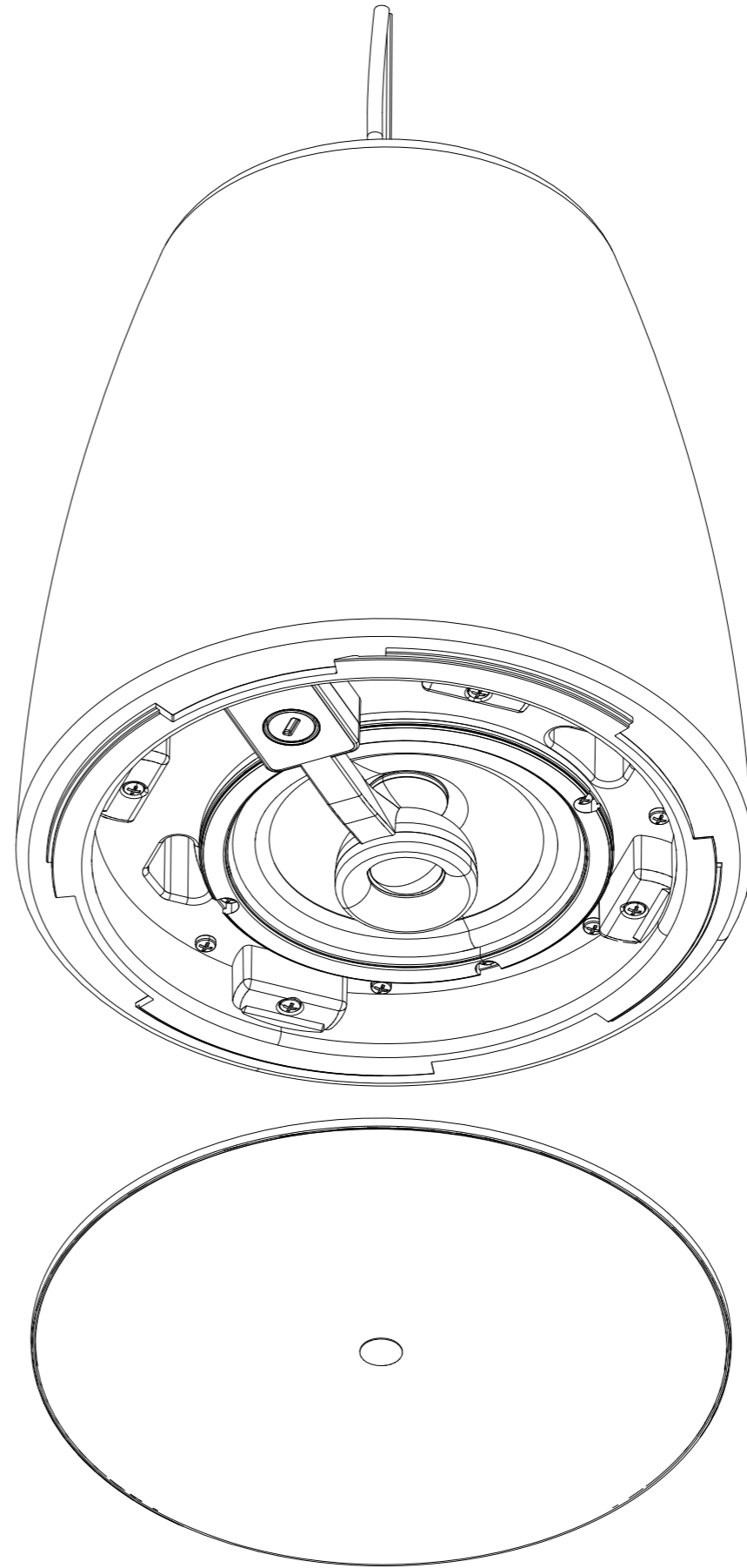


9. Set the required power.



DECO SERIES
Accessories: PK

10. Insert the grille in the system and spin to fix it.



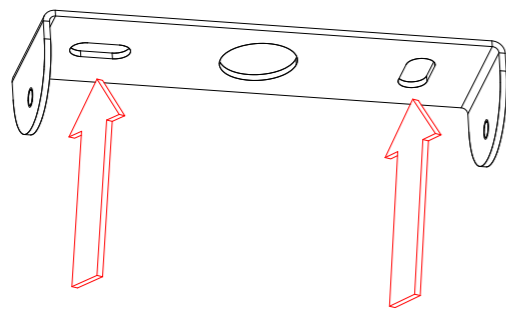
DECO SERIES

Accessories: PK

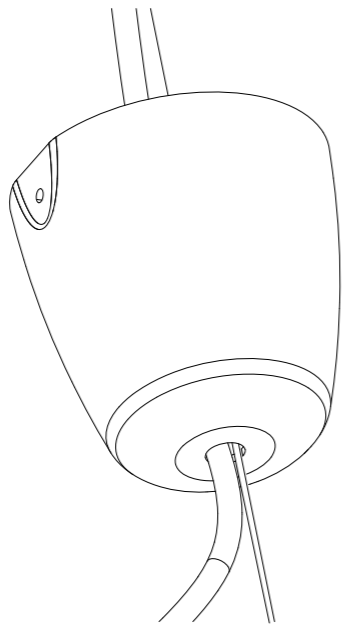
Rose Installation (if required)

The DECO Rose bracket is not designed as a system hanging attachment

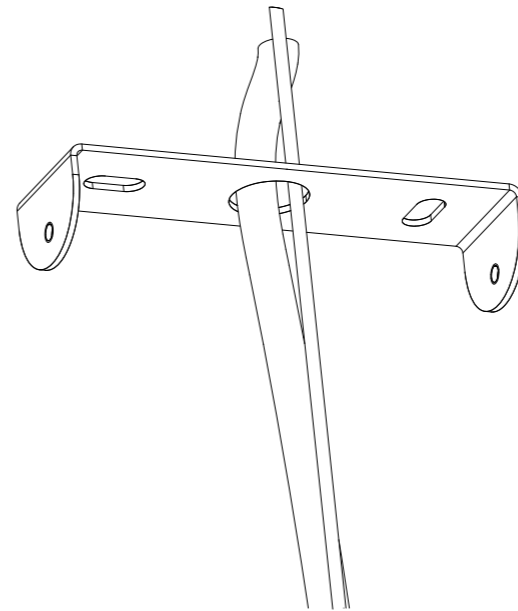
1. Attach the DECO Rose bracket to the ceiling using the grooves. Fasteners not provided.



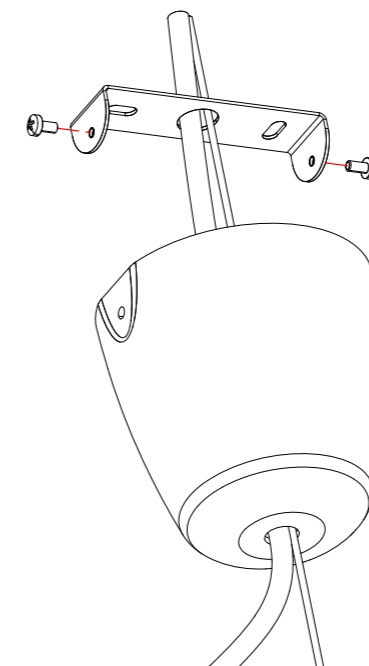
2. Insert the hanging wire and the audio cable through the DECO Rose hole.



3. Insert the hanging wire through the bracket central hole.



4. Fasten the rosette to the anchor using the M3X8 screws.



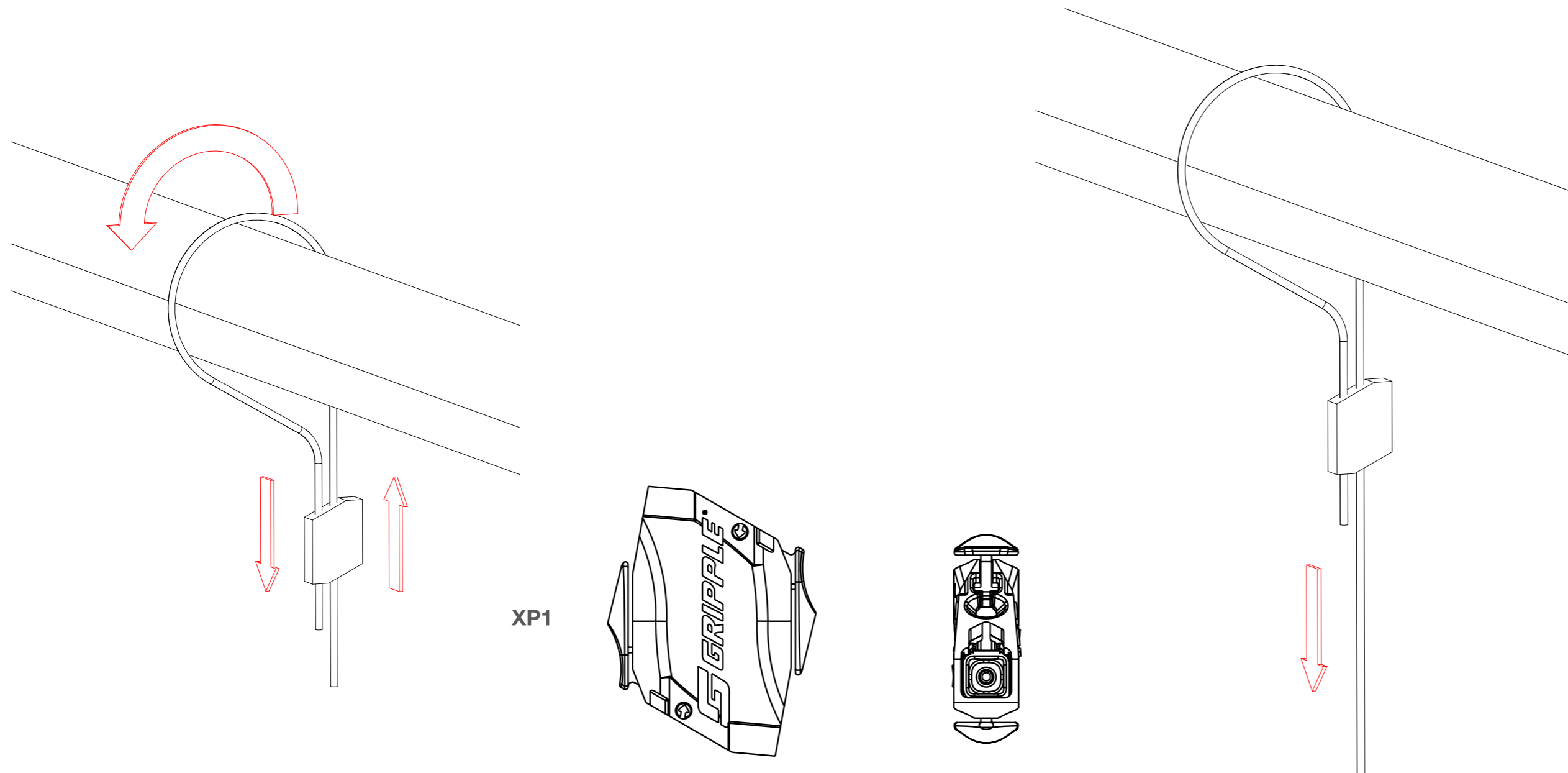
DECO SERIES

Accessories: PK

Gripple® system installation

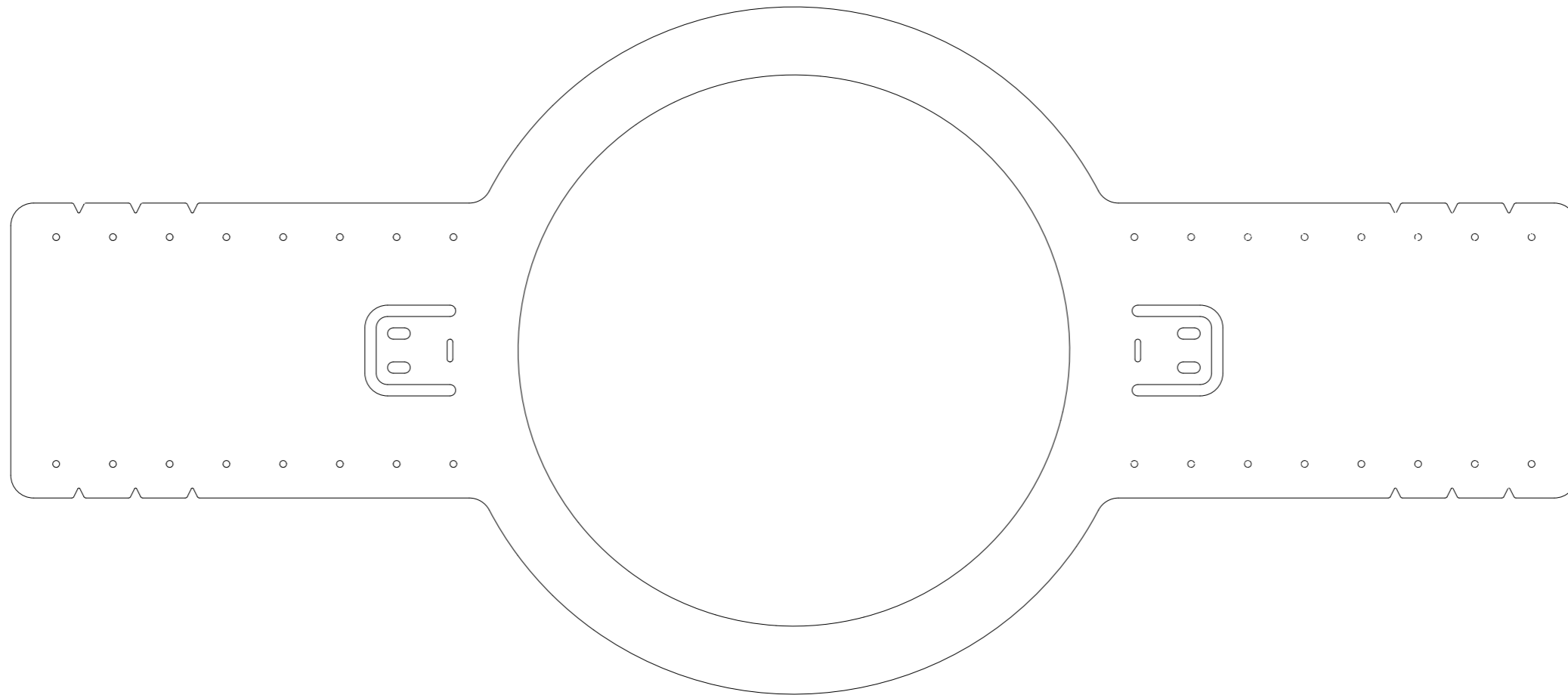
1. Insert the hanging wire through one of the cable Gripple fastener holes (indicated with an arrow), wrap the cable around a hanging structure and insert the cable through the other cable fastener hole which is indicated with an arrow.

2. Adjust the system height pulling the hanging cable free end.



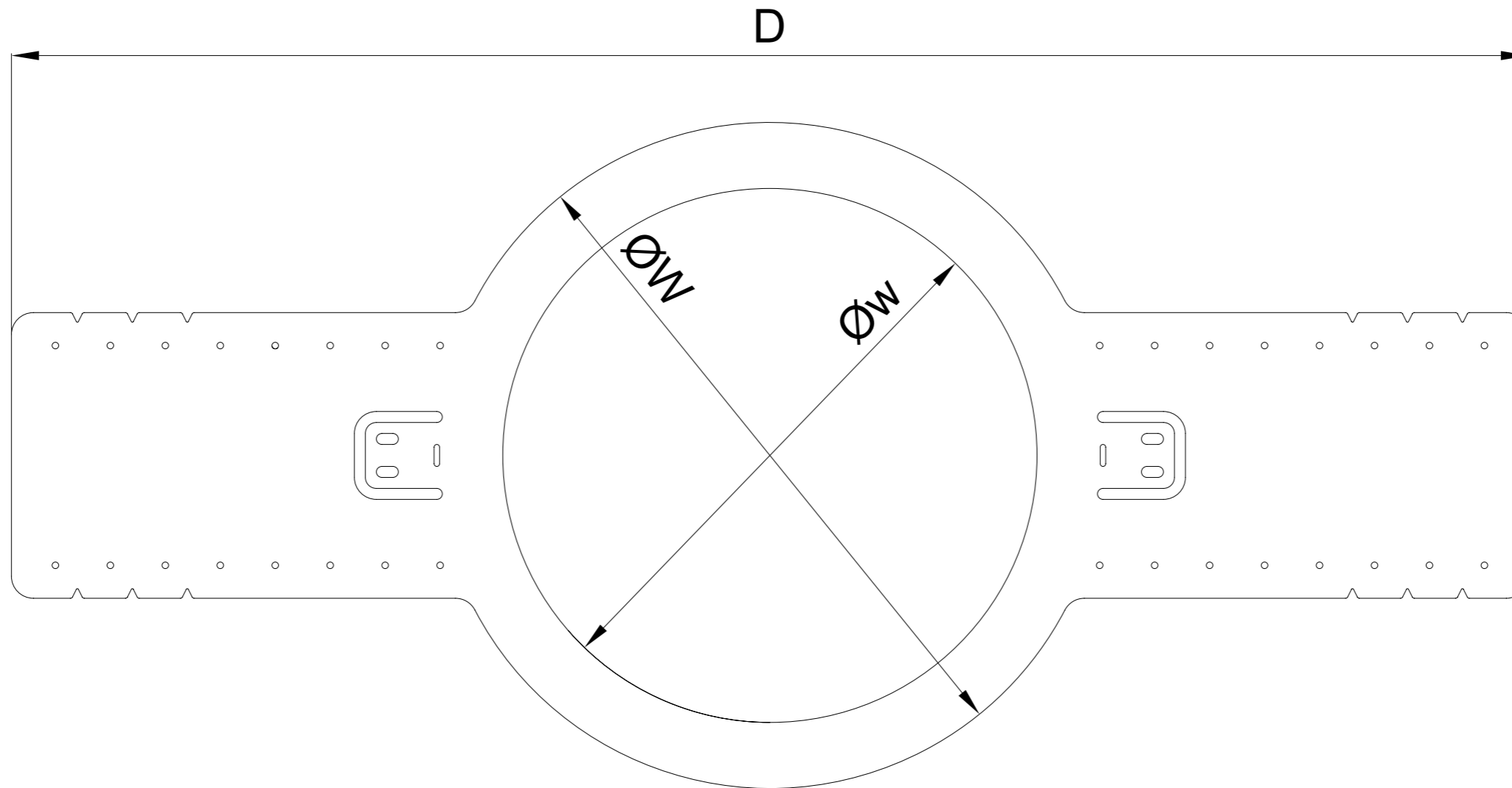
DECO SERIES
Accessories: PK

DECO preconstruction bracket



DECO SERIES
Accessories: PK

DECO preconstruction bracket dimensions



PRODUCT NAME	DIMENSIONS W mm	DIMENSIONS w mm	DIMENSIONS D mm	DIMENSIONS W IN	DIMENSIONS w IN	DIMENSIONS D IN
DECO-40-T / DECO-40-T-LP	243	183	690	9,6	7,2	27,1
DECO-65-T	303	243	690	11,9	9,6	27,1
DECO-80-T / DECO-80-TS	348	288	690	13,7	11,3	27,1

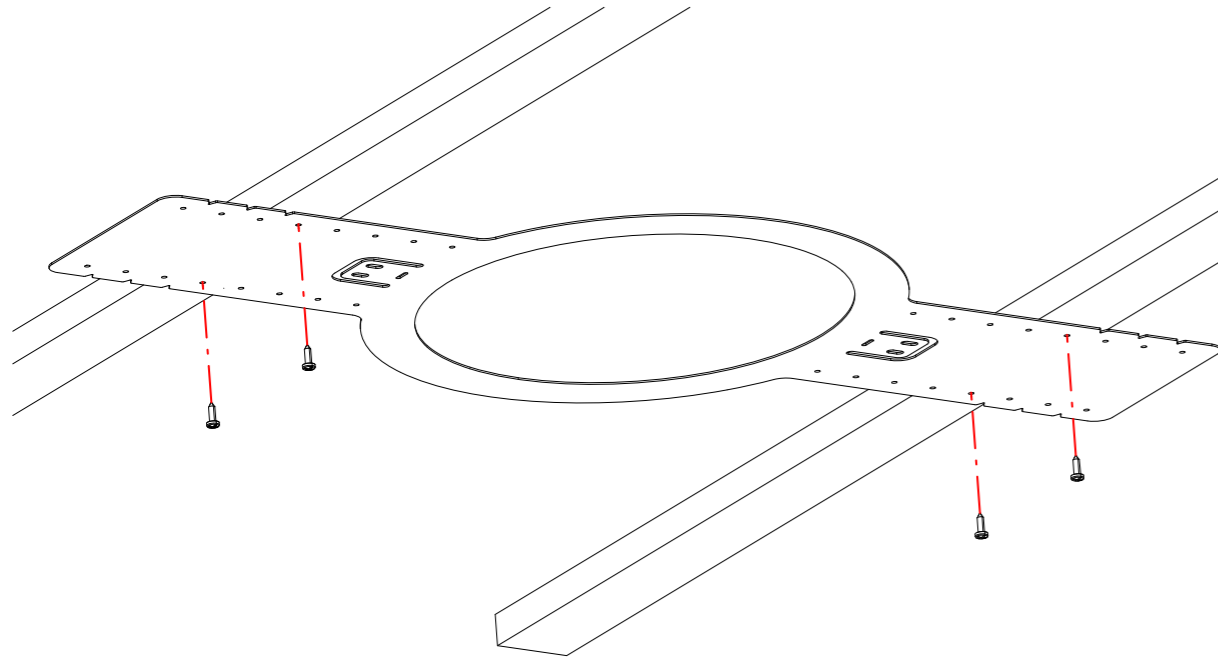
DECO SERIES

Accessories: PK

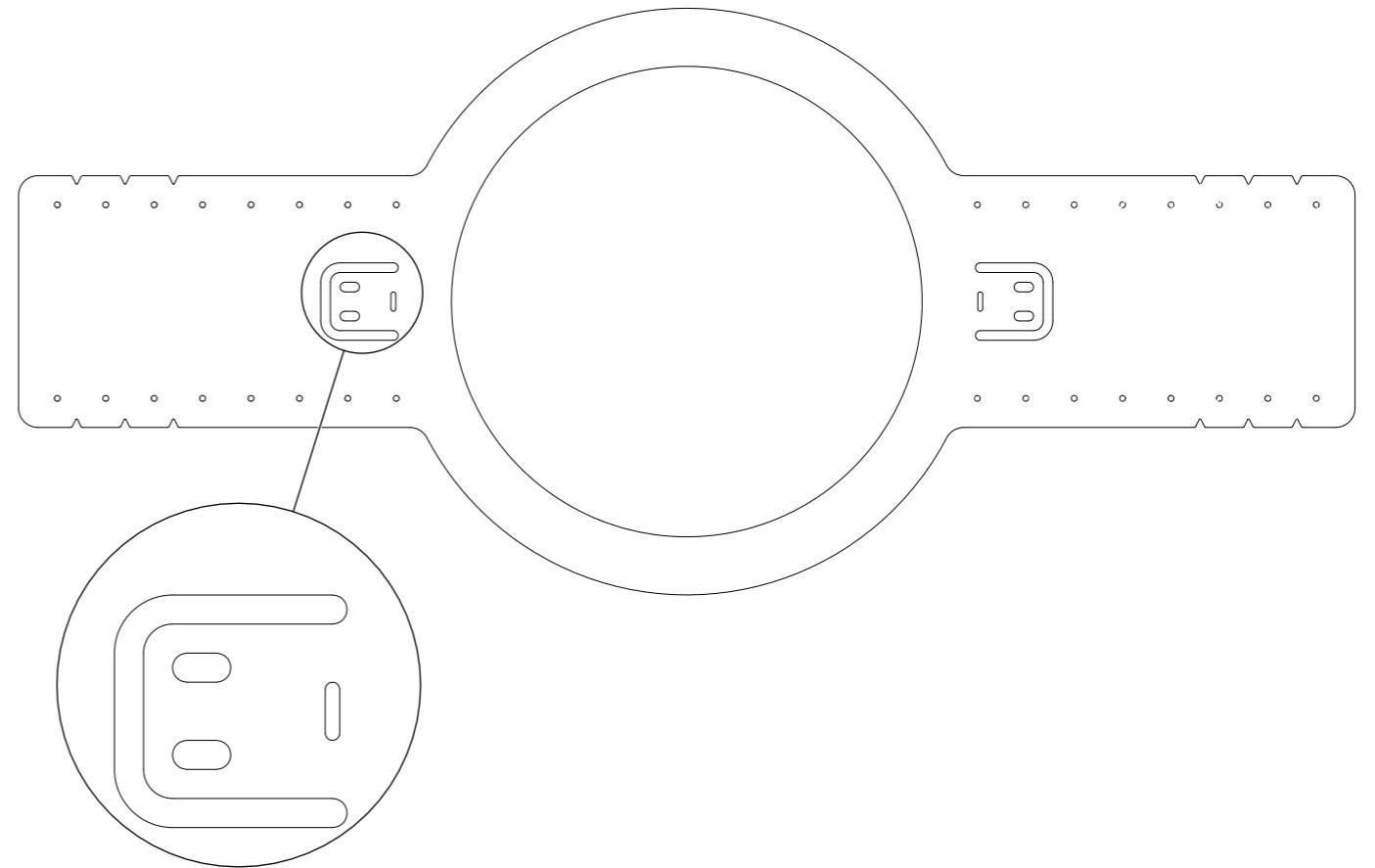
DECO preconstruction bracket

The order of the steps may be altered due to installation conditions.

1. Screw the SP-PRE-DECO bracket to the frame.



2. Fix the audio cable using the side flaps.

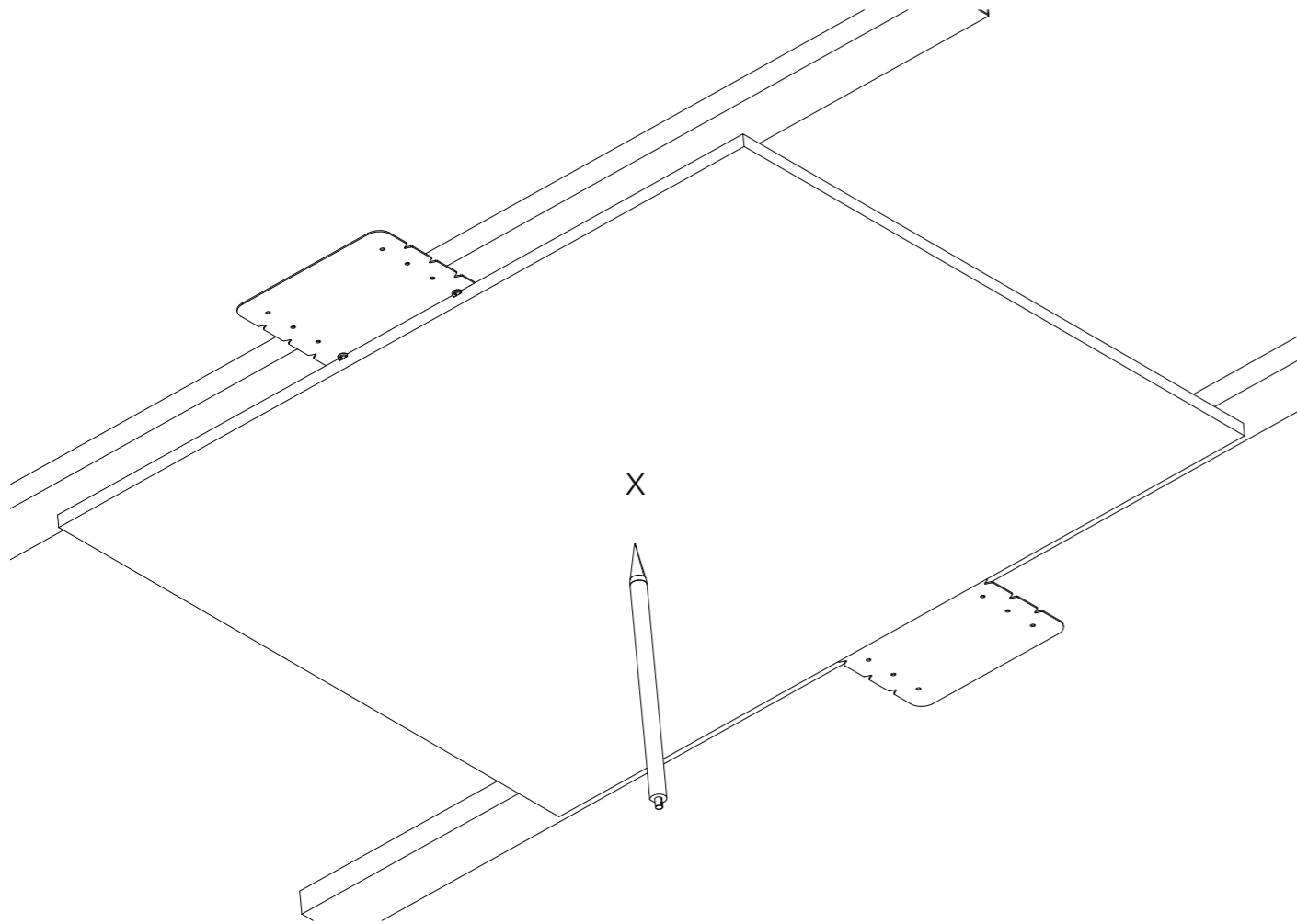


Fix the audio cabling using the flaps.

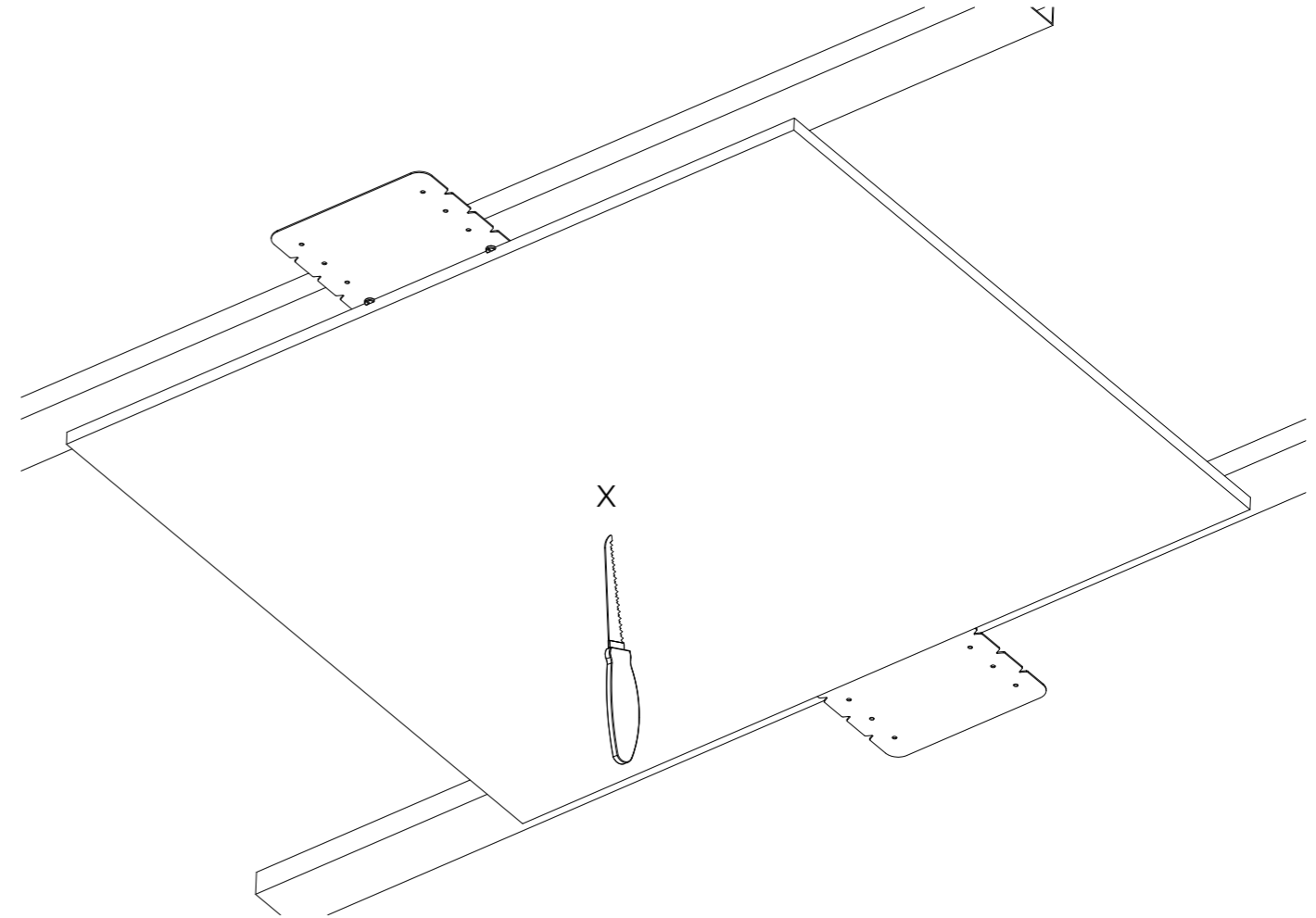
DECO SERIES

Accessories: PK

3. Install the drywall panels marking the bracket position.



4. Cut the system hole with a drywall saw using the bracket as a template.

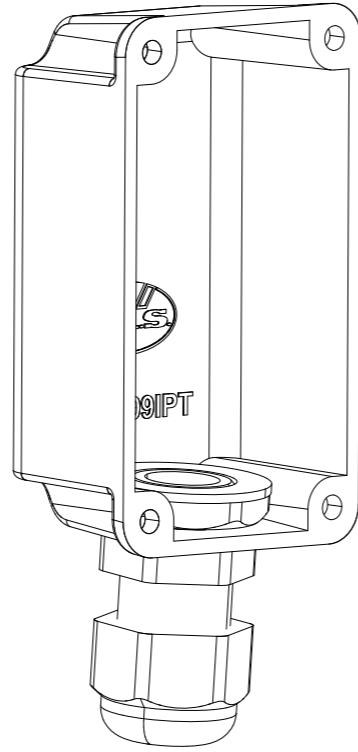


Install the system following the instructions described in the product manual. bracket as a template.

DECO SERIES
Accessories: PK

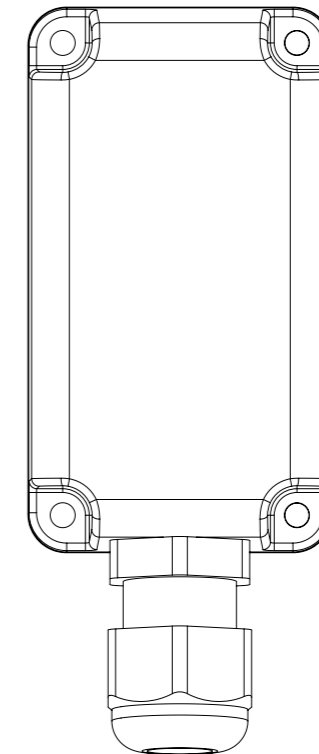
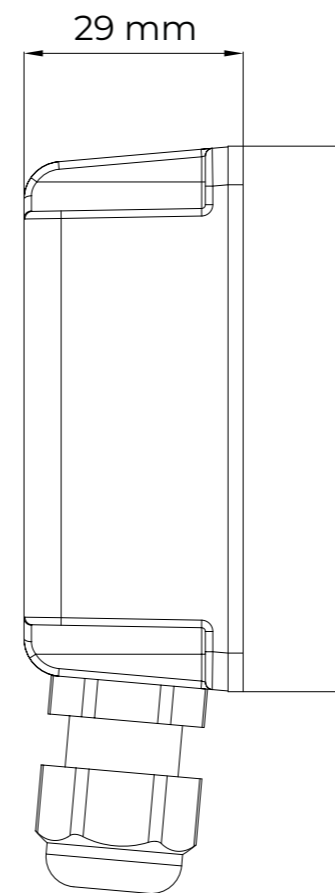
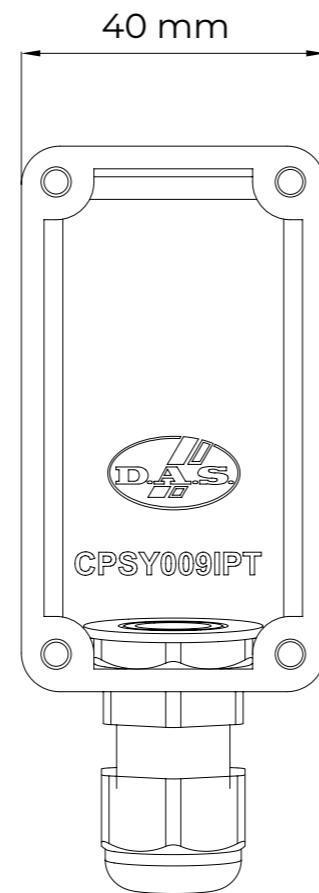
KIT-IP-DECO

4 x Screws 2,9 x 9,5 DIN7981



1 x KIT-IP Cover

Dimensions



DECO SERIES

Accessories: PK

KIT-IP-DECO

Installation

The order of the steps may vary depending on installation conditions.

1. Loosen the locknut on the cable gland to insert the cable.

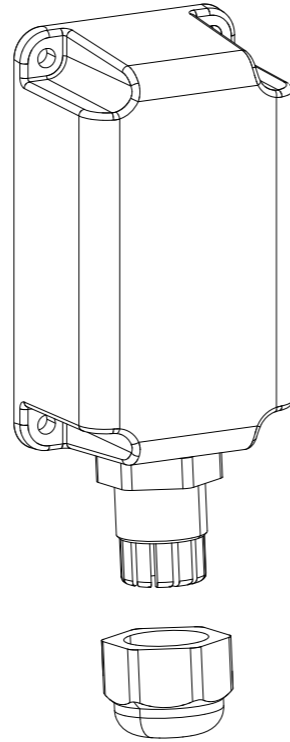
2. Insert the cable through the cable gland.

3. Remove the terminal from the box and connect the cable to the terminal. Make sure to follow the polarity indicated on the label. Then, connect the terminal back into the box and secure it with the screws provided.

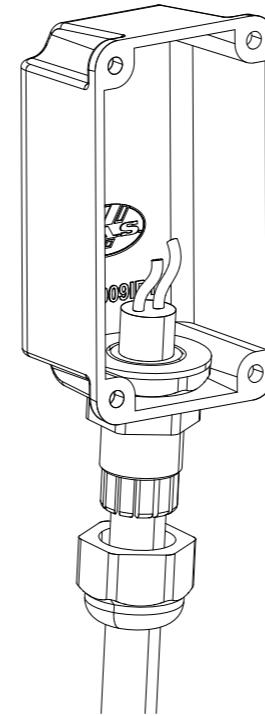
4. Position the KIT-IP-DECO cover as indicated on the label and secure it to the box using the screws provided.

5. Make sure the cable is not under tension before securing the rubber gasket and tightening the locknut.

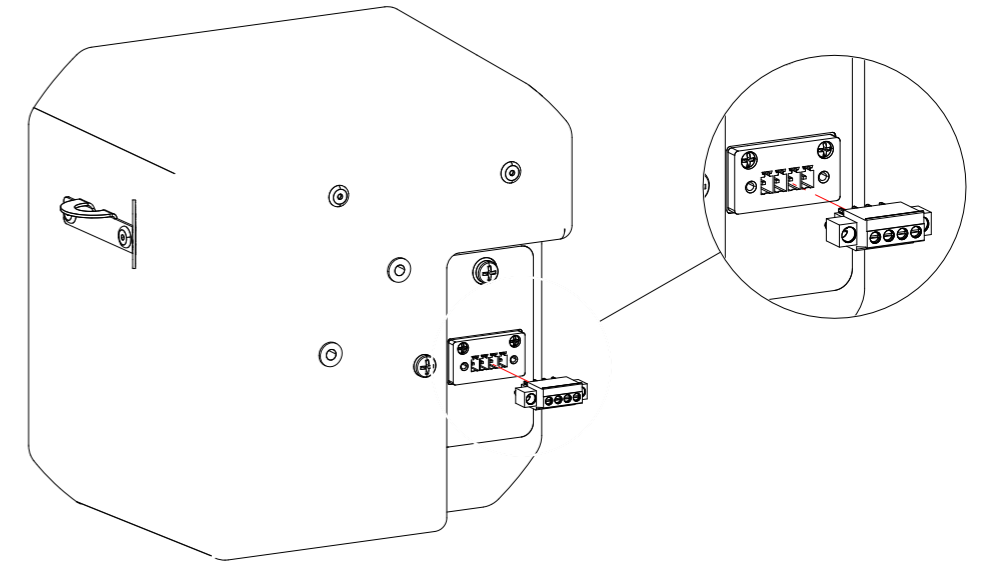
1.



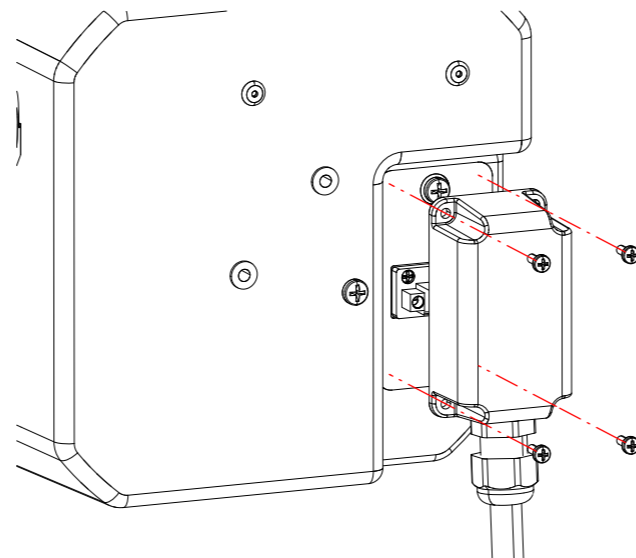
2.



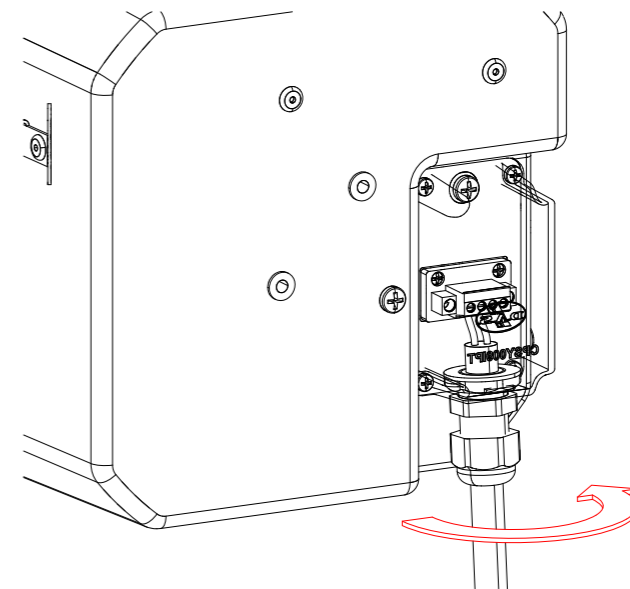
3.



4.



5.





SOUND WITH SOUL