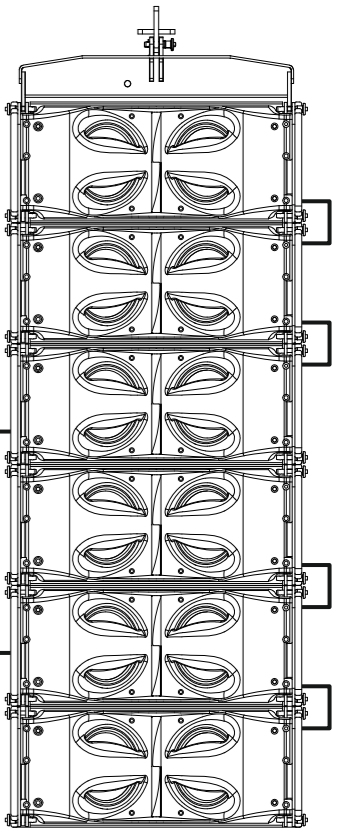
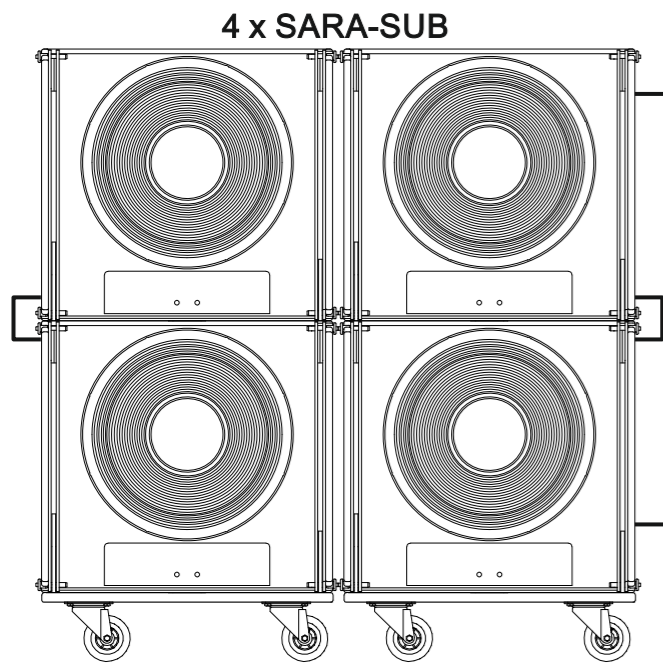


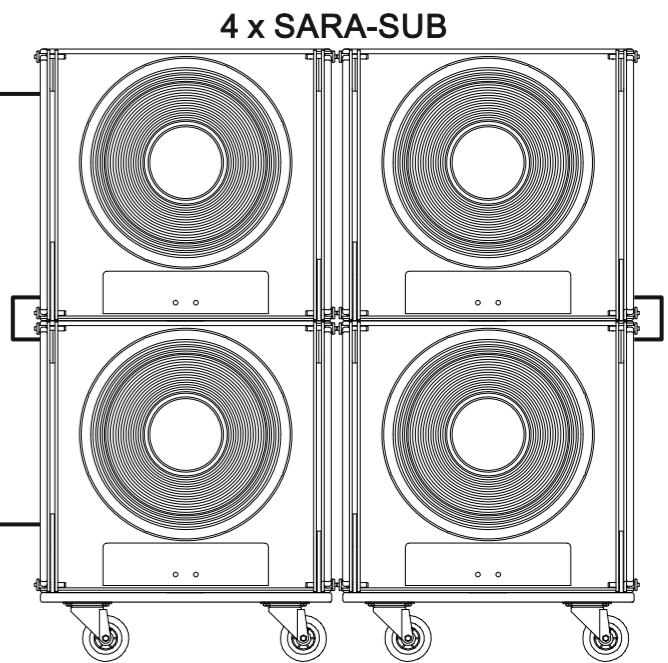
6 x SARA



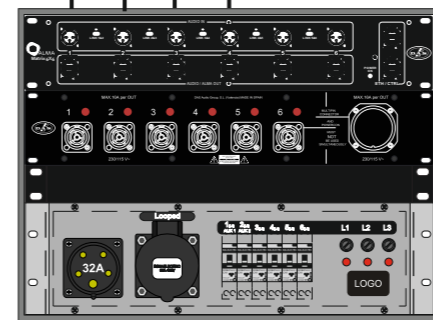
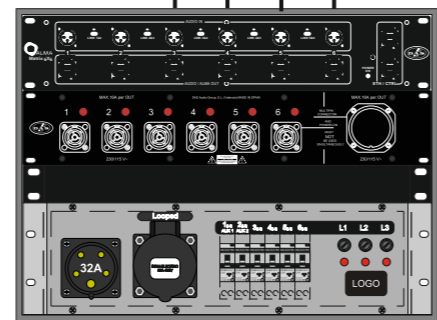
6 x SARA



4 x SARA-SUB



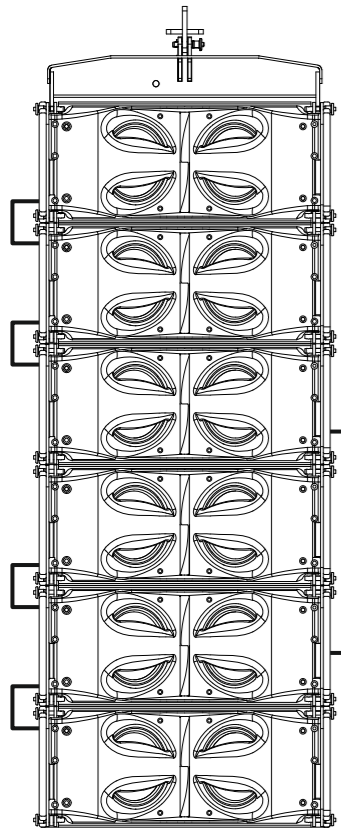
4 x SARA-SUB



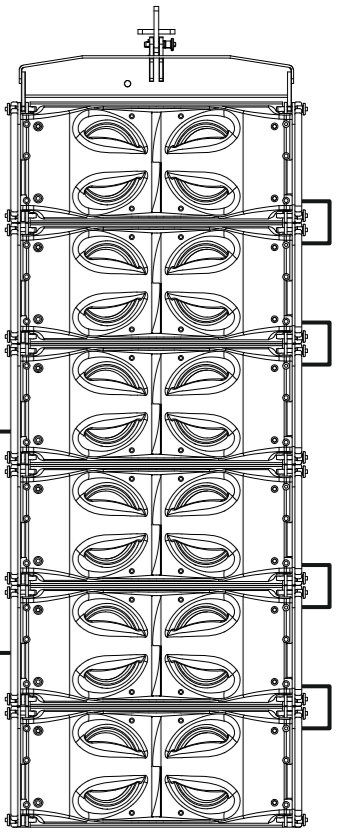
DAS Audio Group, S.L.
 POLIGONO INDUSTRIAL FUENTE DEL JARRO
 C/ ISLAS BALEARES, 24
 46988 PATERNA (VALENCIA)
 SPAIN
 TEL. +34-961340206 www.dasaudio.com

12 x Sara + 8 x Sara-Sub Configuration

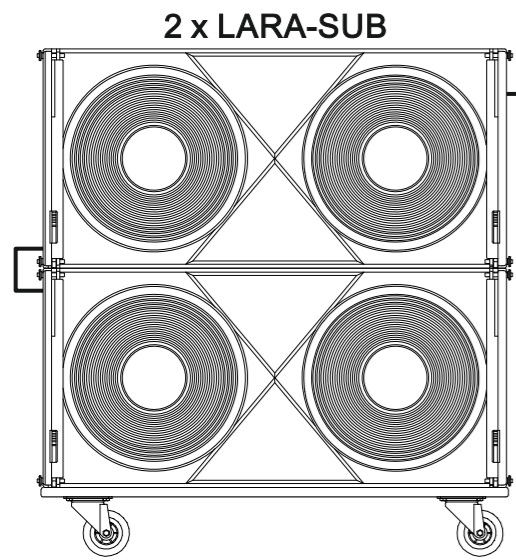
ARA-Rack		Units
ARA-Rack-230V Rack w/ 1 x Matrix-66 + 1 x PP-6S + 1 x PD-6-230V		2
Speaker cabling		
eC-09 0.9m CAT7 etherCON (Data + Audio) link cable		12
Plink1-09 0.9m powerCON TRUE1 link cable		12
eCPK-20 20m CAT7 integrated etherCON (Data + Audio) + powerCON TRUE 1 cable link		8
Rigging frames		
AX-SARA-LT Rigging bumper for LARA (max 10 u.)		2
Dollies		
PL-SARA Caster frame for stacking SARA (max 4 units)		3
PL-SARA-SUB Caster frame for stacking SARA-SUB (max 3 units)		4
Covers		
FUN-4-SARA Black protective transport cover for 4 units of SARA on PL-SARA		3
FUN-2-SARA-SUB Black protective transport cover for 2 SARA-SUB on PL-SARA-SUB		4



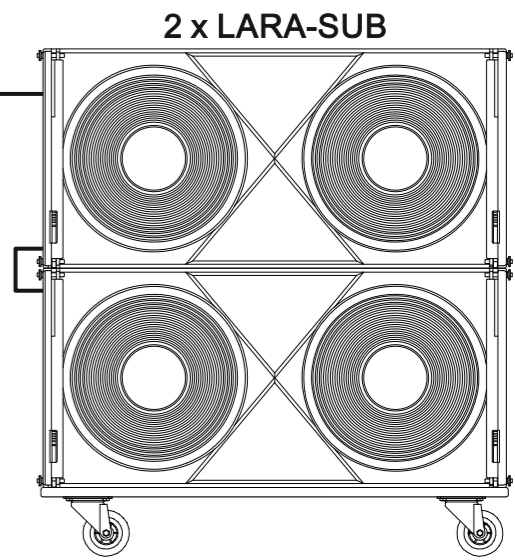
6 x SARA



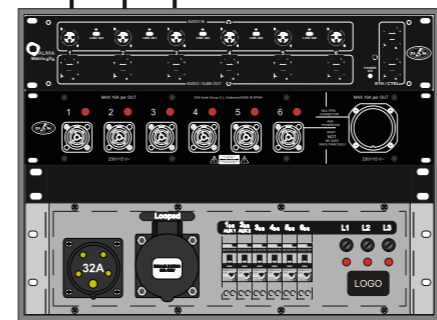
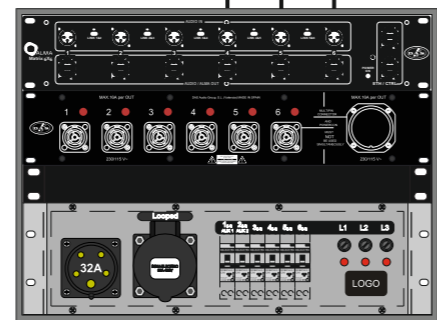
6 x SARA



2 x LARA-SUB



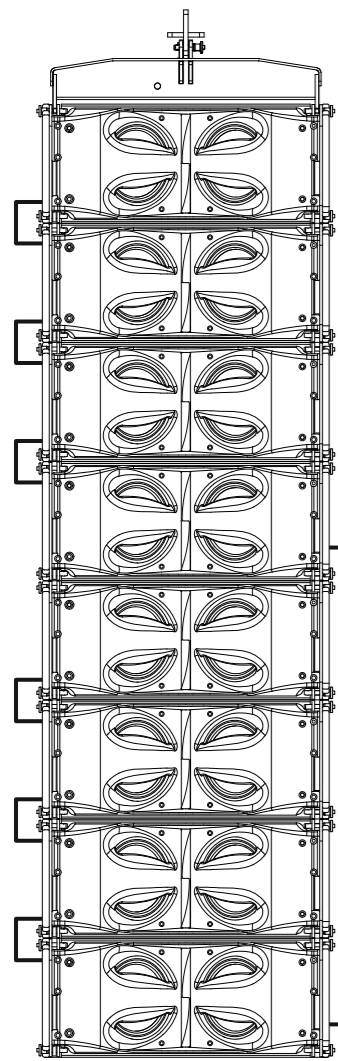
2 x LARA-SUB



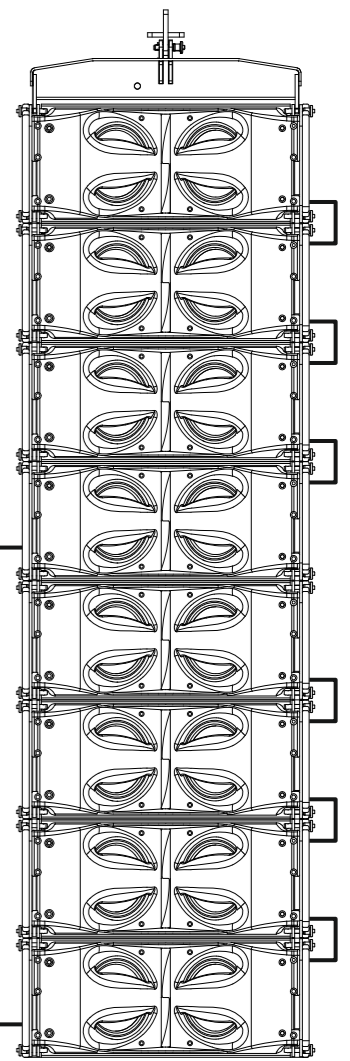
DAS Audio Group, S.L.
POLIGONO INDUSTRIAL FUENTE DEL JARRO
C/ ISLAS BALEARES, 24
46988 PATERNA (VALENCIA)
SPAIN
TEL. +34-961340206 www.dasaudio.com

12 x Sara + 4 x Lara-Sub Configuration

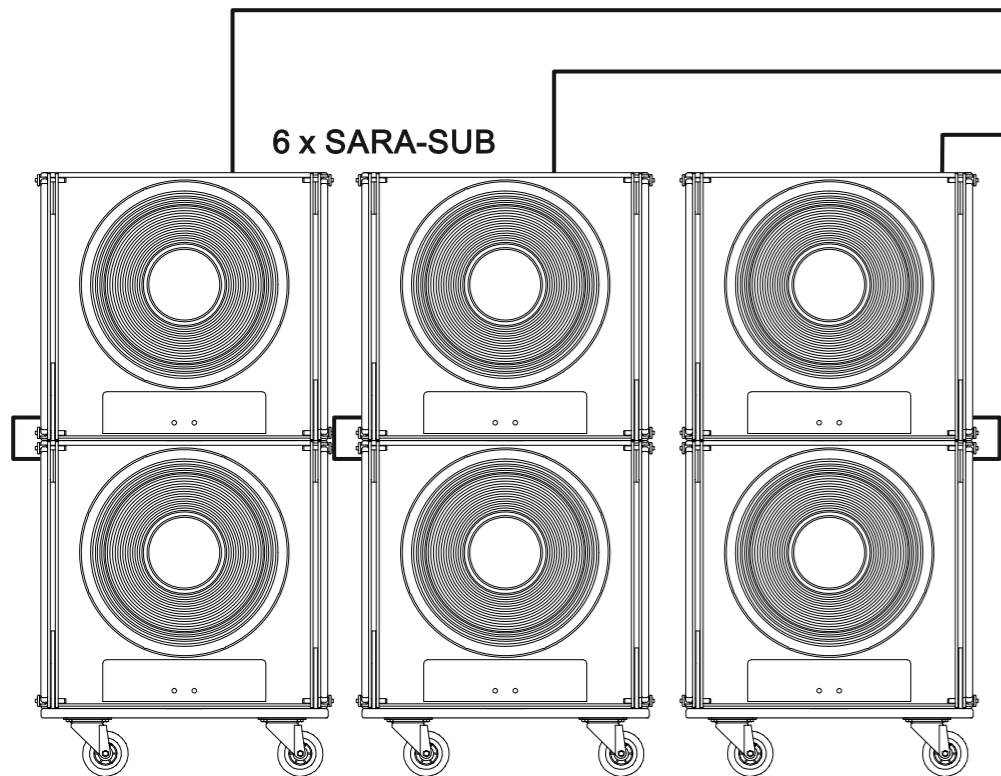
ARA-Rack	Units
ARA-Rack-230V Rack w/ 1 x Matrix-66 + 1 x PP-6S + 1 x PD-6-230V	2
Speaker cabling	
eC-09 0.9m CAT7 etherCON (Data + Audio) link cable	10
Plink1-09 0.9m powerCON TRUE1 link cable	10
eCPK-20 20m CAT7 integrated etherCON (Data + Audio) + powerCON TRUE 1 cable link	6
Rigging frames	
AX-SARA-LT Rigging bumper for LARA (max 10 u.)	2
Dollies	
PL-SARA Caster frame for stacking SARA (max 4 units)	3
PL-LARA-SUB Caster frame for stacking LARA-SUB (max 4 units)	2
Covers	
FUN-4-SARA Black protective transport cover for 4 units of SARA on PL-SARA	3
FUN-2-LARA-SUB Black protective transport cover for 2 LARA-SUB on PL-LARA-SUB	4



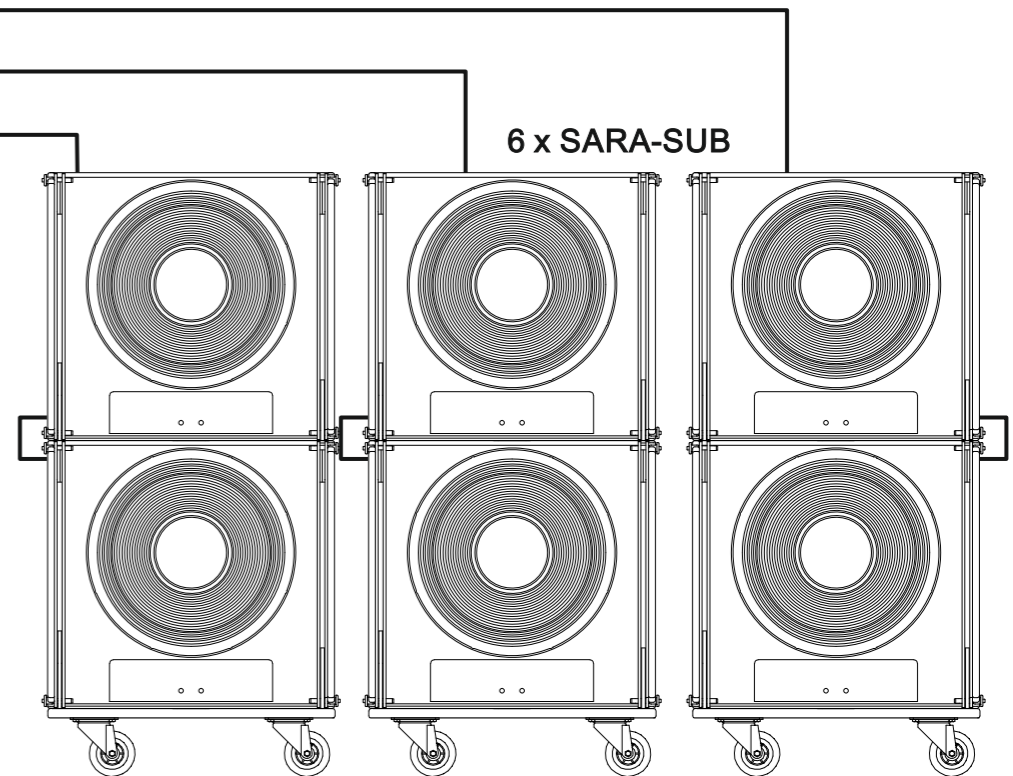
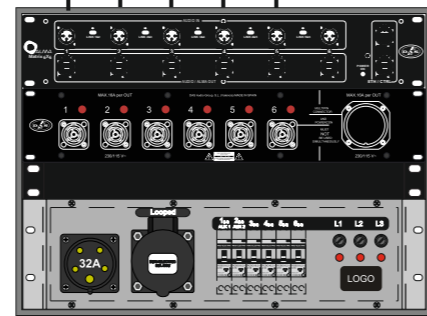
8 x SARA



8 x SARA



6 x SARA-SUB



6 x SARA-SUB



DAS Audio Group, S.L.
POLIGONO INDUSTRIAL FUENTE DEL JARRO
C/ ISLAS BALEARES, 24
46988 PATERNA (VALENCIA)
SPAIN
TEL. +34-961340206 www.dasaudio.com

16 x Sara + 12 x Sara-Sub Configuration

ARA-Rack**Units**

ARA-Rack-230V Rack w/ 1 x Matrix-66 + 1 x PP-6S + 1 x PD-6-230V

2

Speaker cabling

eC-09 0.9m CAT7 etherCON (Data + Audio) link cable

18

Plink1-09 0.9m powerCON TRUE1 link cable

18

eCPK-20 20m CAT7 integrated etherCON (Data + Audio) + powerCON TRUE 1 cable link

10

Rigging frames

AX-SARA-LT Rigging bumper for LARA (max 10 u.)

2

Dollies

PL-SARA Caster frame for stacking SARA (max 4 units)

4

PL-SARA-SUB Caster frame for stacking SARA-SUB (max 3 units)

6

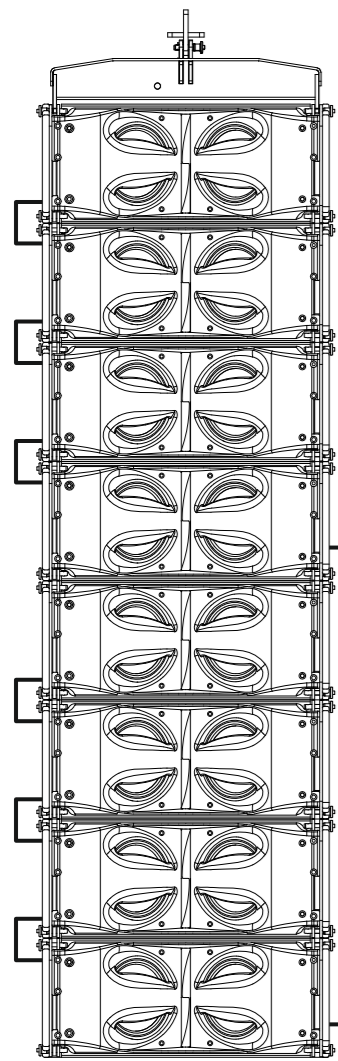
Covers

FUN-4-SARA Black protective transport cover for 4 units of SARA on PL-SARA

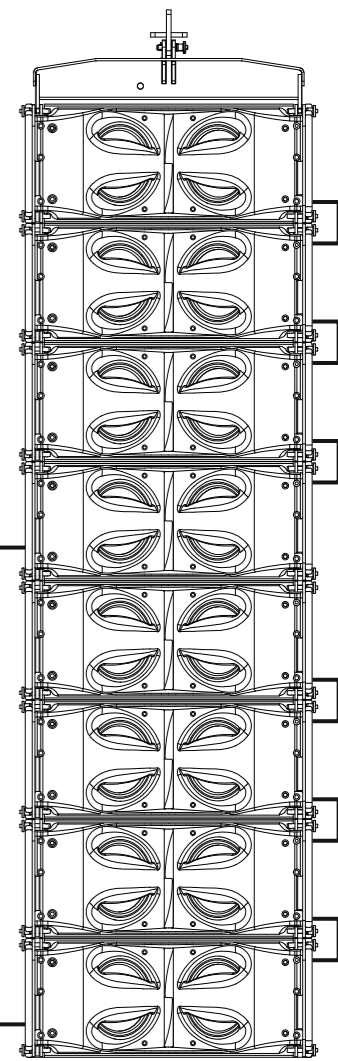
4

FUN-2-SARA-SUB Black protective transport cover for 2 SARA-SUB on PL-SARA-SUB

6

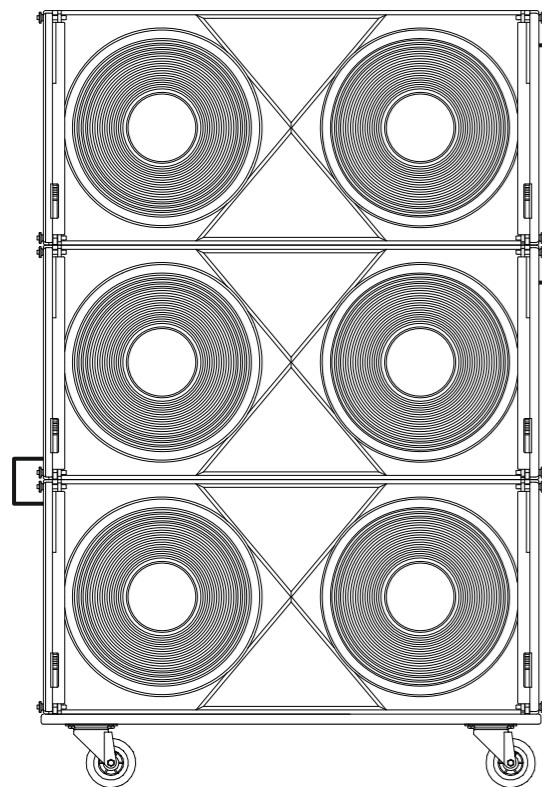


8 x SARA

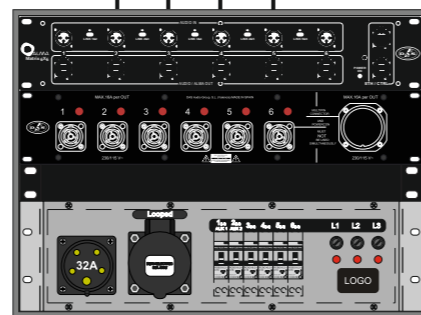
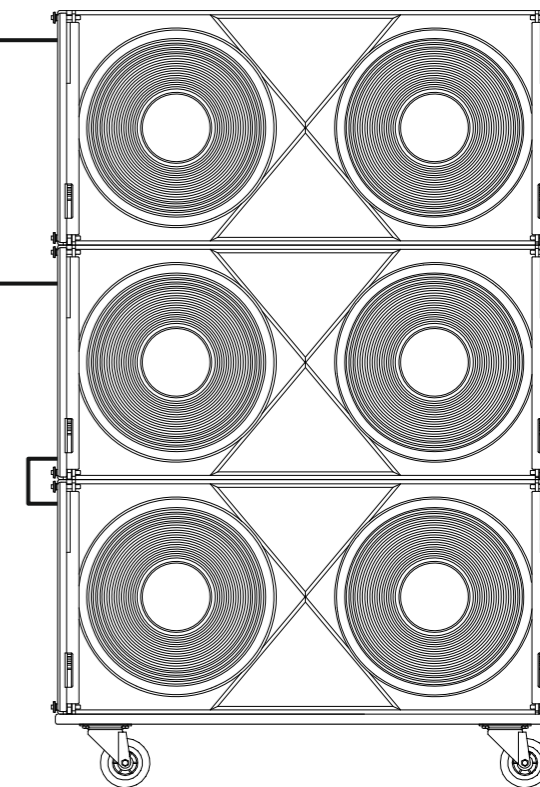


8 x SARA

3 x LARA-SUB



3 x LARA-SUB

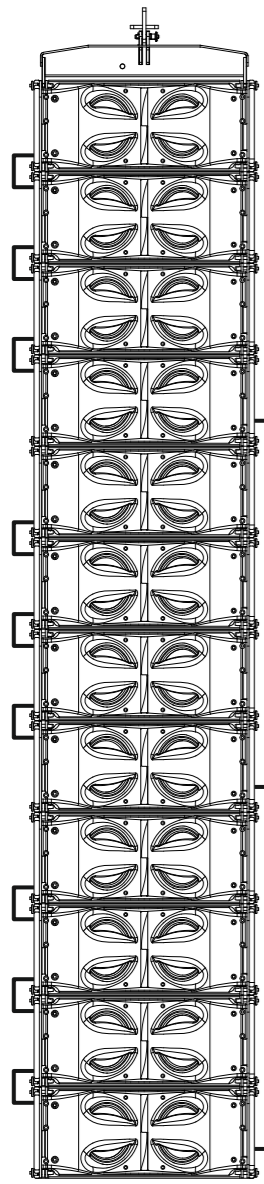


16 x Sara + 6 x Lara-Sub Configuration

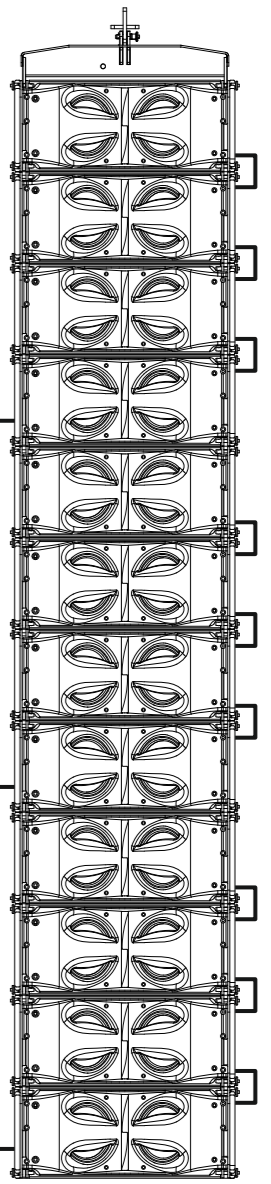


DAS Audio Group, S.L.
POLIGONO INDUSTRIAL FUENTE DEL JARRO
C/ ISLAS BALEARES, 24
46988 PATERNA (VALENCIA)
SPAIN
TEL. +34-961340206 www.dasaudio.com

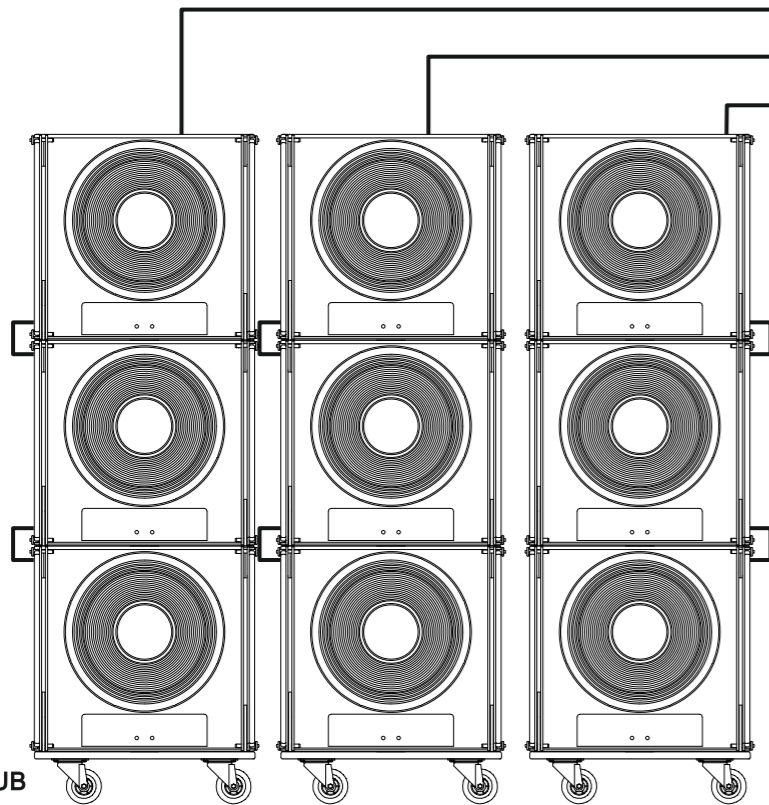
ARA-Rack	Units
ARA-Rack-230V Rack w/ 1 x Matrix-66 + 1 x PP-6S + 1 x PD-6-230V	2
Speaker cabling	
eC-09 0.9m CAT7 etherCON (Data + Audio) link cable	14
Plink1-09 0.9m powerCON TRUE1 link cable	14
eCPK-20 20m CAT7 integrated etherCON (Data + Audio) + powerCON TRUE 1 cable link	8
Rigging frames	
AX-SARA-LT Rigging bumper for LARA (max 10 u.)	2
Dollies	
PL-SARA Caster frame for stacking SARA (max 4 units)	4
PL-LARA-SUB Caster frame for stacking LARA-SUB (max 4 units)	2
Covers	
FUN-4-SARA Black protective transport cover for 4 units of SARA on PL-SARA	4
FUN-3-LARA-SUB Black protective transport cover for 3 LARA-SUB on PL-LARA-SUB	2



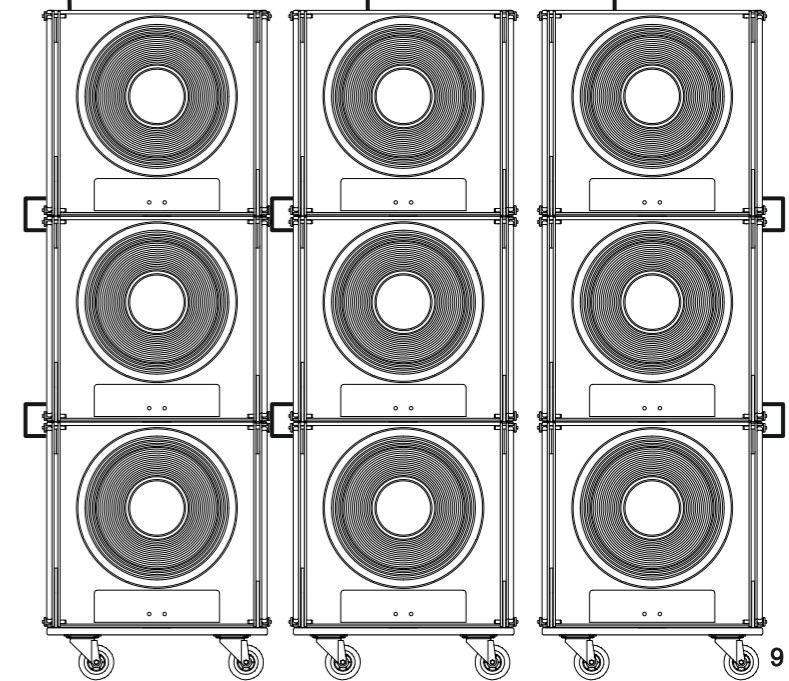
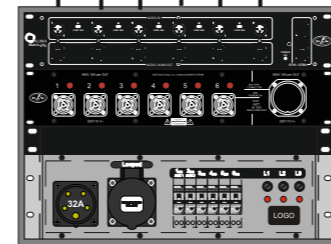
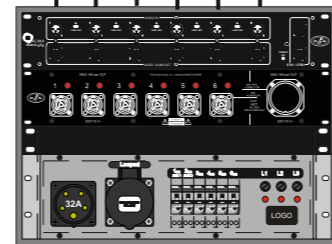
12 x SARA



12 x SARA



9 x SARA-SUB



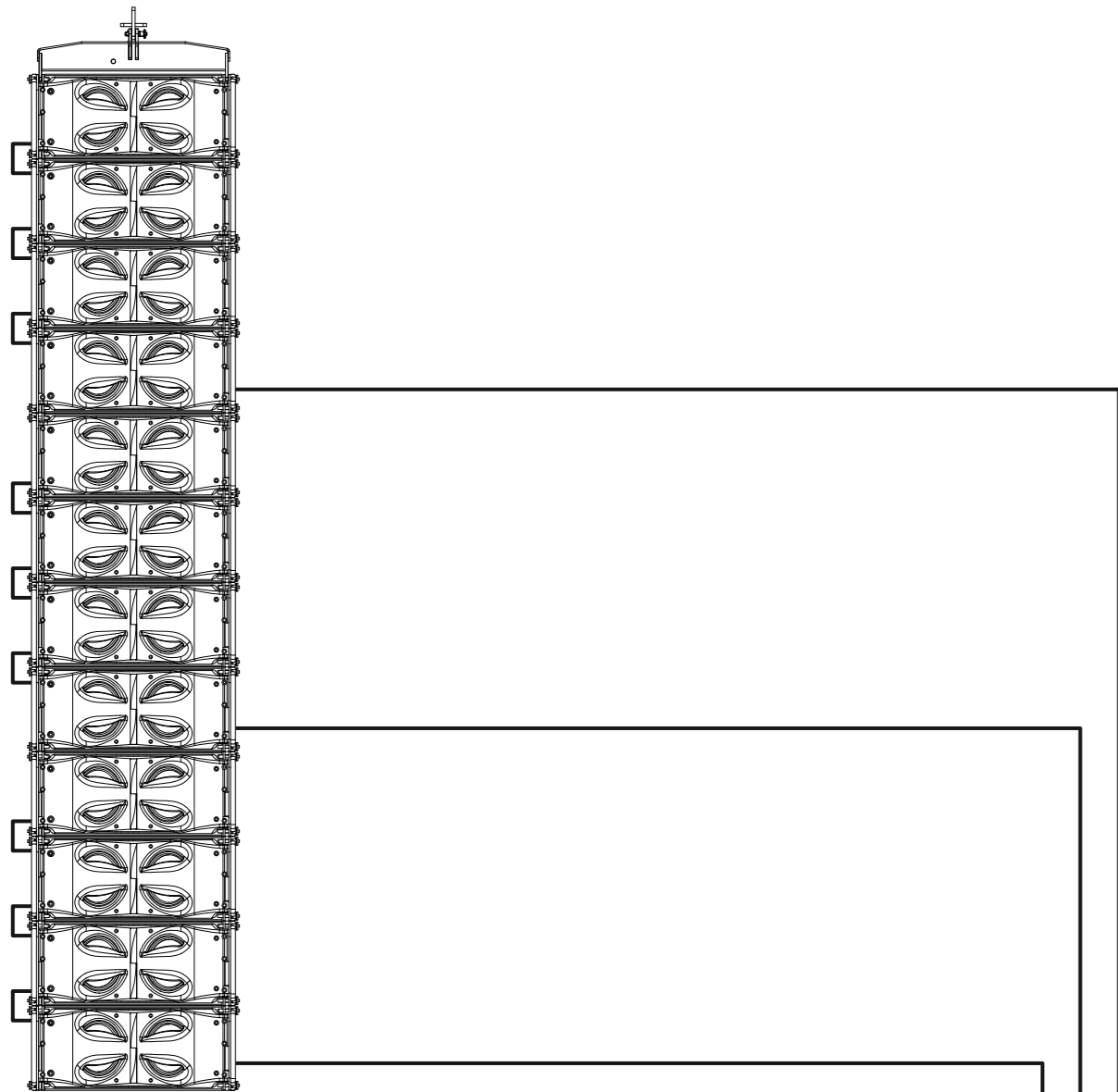
9 x SARA-SUB

24 x Sara + 18 x Sara-Sub Configuration



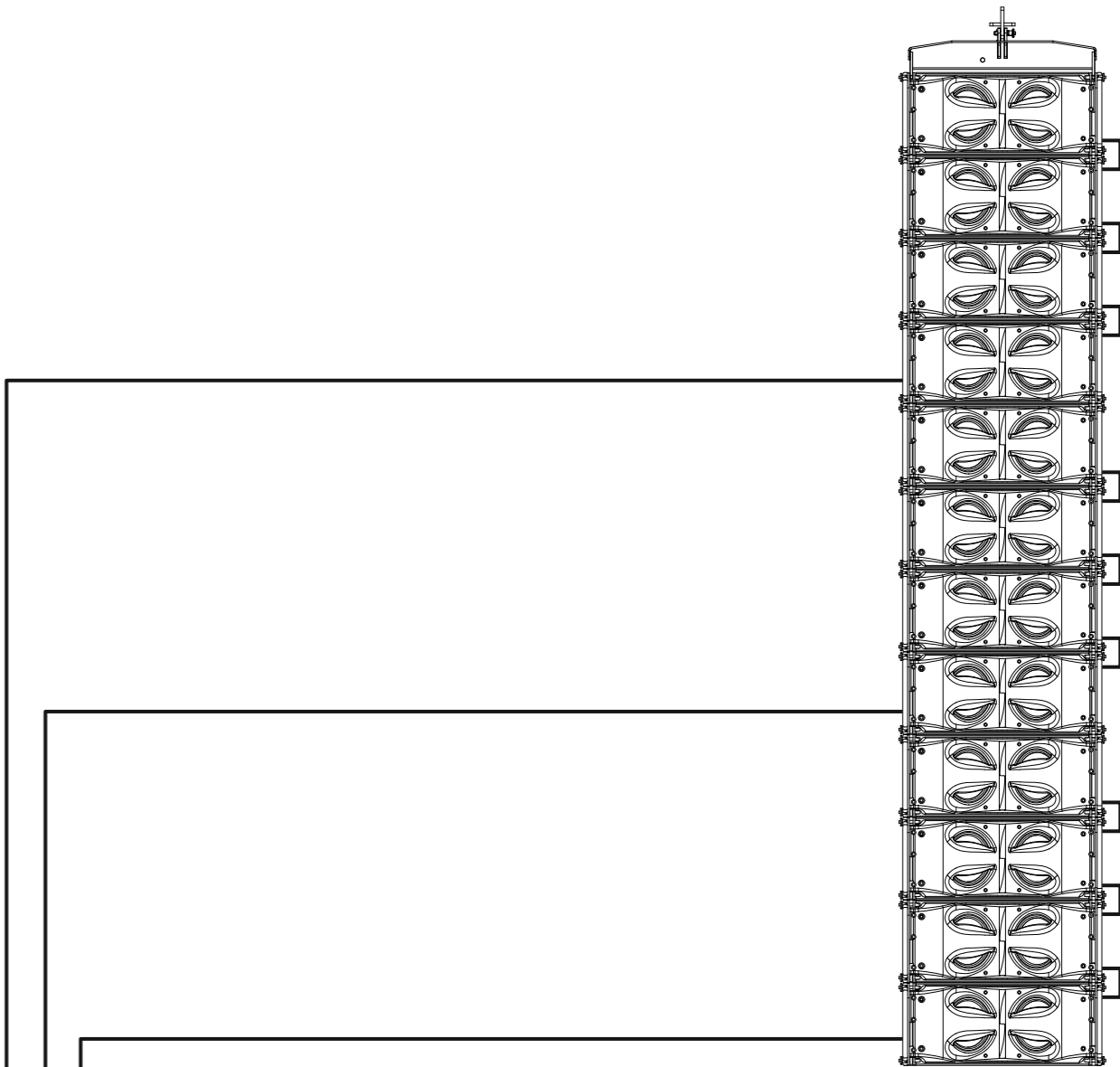
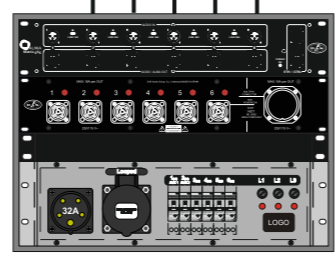
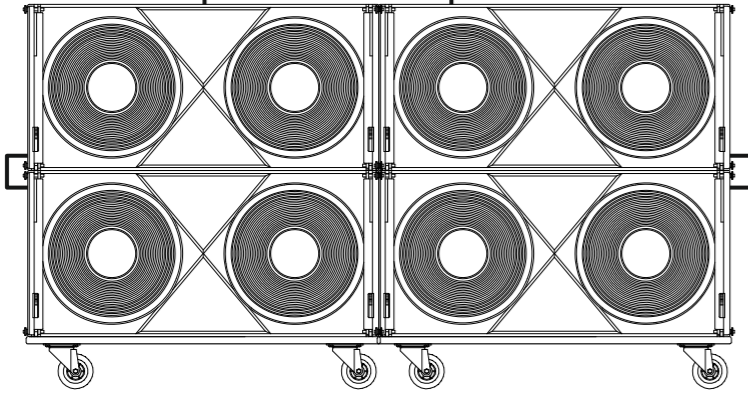
DAS Audio Group, S.L.
POLIGONO INDUSTRIAL FUENTE DEL JARRO
C/ ISLAS BALEARES, 24
46988 PATERNA (VALENCIA)
SPAIN
TEL. +34-961340206 www.dasaudio.com

ARA-Rack		Units
ARA-Rack-230V Rack w/ 1 x Matrix-66 + 1 x PP-6S + 1 x PD-6-230V		2
Speaker cabling		
eC-09 0.9m CAT7 etherCON (Data + Audio) link cable		30
Plink1-09 0.9m powerCON TRUE1 link cable		30
eCPK-20 20m CAT7 integrated etherCON (Data + Audio) + powerCON TRUE 1 cable link		12
Rigging frames		
AX-SARA Rigging bumper for SARA (max 24 u.)		2
Dollies		
PL-SARA Caster frame for stacking SARA (max 4 units)		6
PL-SARA-SUB Caster frame for stacking SARA-SUB (max 3 units)		6
Covers		
FUN-4-SARA Black protective transport cover for 4 units of SARA on PL-SARA		6
FUN-3-SARA-SUB Black protective transport cover for 3 SARA-SUB on PL-SARA-SUB		6



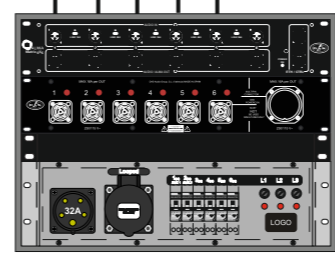
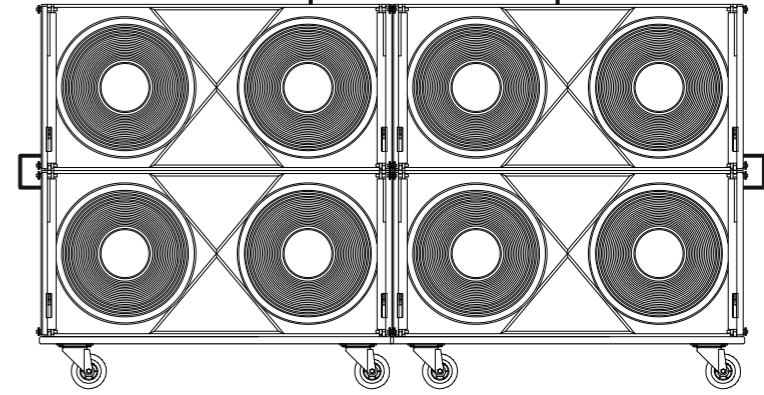
12 x SARA

4 x LARA-SUB



12 x SARA

4 x LARA-SUB



DAS Audio Group, S.L.
 POLIGONO INDUSTRIAL FUENTE DEL JARRO
 C/ ISLAS BALEARES, 24
 46988 PATERNA (VALENCIA)
 SPAIN
 TEL. +34-961340206 www.dasaudio.com

24 x Sara + 8 x Lara-Sub Configuration

ARA-Rack	Units
ARA-Rack-230V Rack w/ 1 x Matrix-66 + 1 x PP-6S + 1 x PD-6-230V	2
Speaker cabling	
eC-09 0.9m CAT7 etherCON (Data + Audio) link cable	22
Plink1-09 0.9m powerCON TRUE1 link cable	22
eCPK-20 20m CAT7 integrated etherCON (Data + Audio) + powerCON TRUE 1 cable link	10
Rigging frames	
AX-SARA Rigging bumper for SARA (max 24 u.)	2
Dollies	
PL-SARA Caster frame for stacking SARA (max 4 units)	6
PL-LARA-SUB Caster frame for stacking LARA-SUB (max 4 units)	4
Covers	
FUN-4-SARA Black protective transport cover for 4 units of SARA on PL-SARA	6
FUN-2-LARA-SUB Black protective transport cover for 2 LARA-SUB on PL-LARA-SUB	4