



### Introduction

The AXU-HQ212 is designed for HQ-212.95 and HQ-212.64 DX version.

### Safety Precautions

Wall plugs provided are to be used in brick walls only. For other wall materials, source the suitable wall plug before use. DAS Audio Group is not responsible for use other than the recommended or whether it be the result of insufficient strength of the support structure. Use only the screws and wall plugs supplied on surfaces that will provide sufficient support. Do not use on surfaces such as plaster, and gypsum. It is highly recommended and in most parts of the world mandatory, that a safety cable be used to secure the enclosure to the structure. To ensure optimum safety, the installation should be checked thoroughly at regular intervals replacing all deteriorated elements.

Loosen the screws before reorienting the speaker. Never force the rigging elements.

Contact a licensed rigger if there is any doubt.

### Warranty

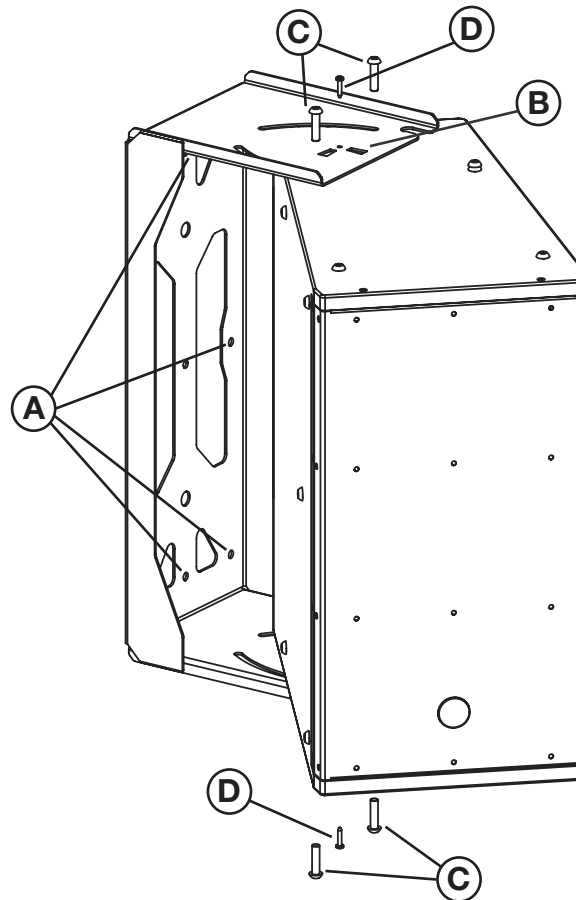
All our products are warrantied against any manufacturing defect for a period of 2 years from date of purchase. The warranty excludes damage from incorrect or misuse of the product. All warranty repairs must be exclusively undertaken by the factory or any of its authorized service centers. To claim a warranty repair, do not open or intend to repair the product. Return the damaged unit, at shippers risk and freight prepaid, to the nearest service center with a copy of the purchase invoice.

### Contents

- 1x AXU-HQ212
- 4x M10x40 DIN 7380 screw
- 4x M10 DIN 7980 (grower) washer
- 4x M10 DIN 125A washer
- 2x ø5x25 DIN 7505B screw
- 9x ø8x38 DIN 7976 screw
- 9x M8 DIN 125A washer
- 9x n.10 wall plug

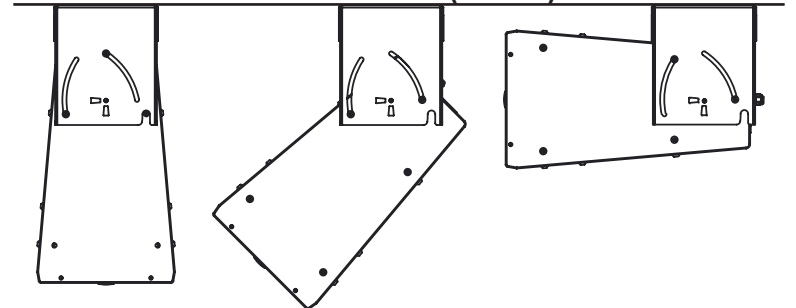
### Mounting Instructions

- 1.- Position the bracket on the wall and mark the 9 fixing points (A).
- 2.- Position the AXU-HQ212 on the marks made before and fix it. The AXU-HQ212 has to be directioned depend of the cabinet orientation. Two marks at the arms indicate the bracket direction (B).
- 3.- Insert the screws supplied (C) to assembly the enclosure and the bracket. Do not tighten totally yet.
- 4.- Aim the enclosure for optimum coverage and permanently tighten the screws (C).
- 5.- Secure the final position screwing the screws supplied (D).

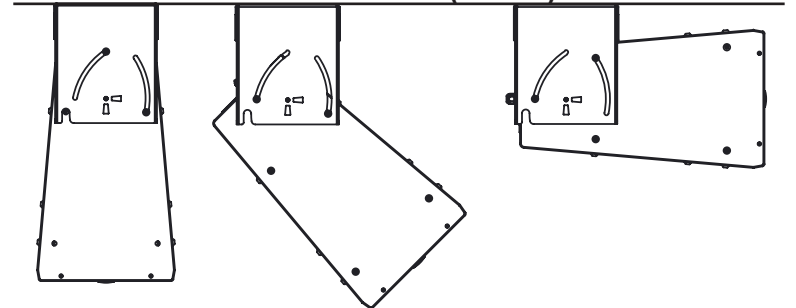


### Angulation Options

#### WALL / CEILING (0° - 90°)



#### WALL / CEILING (0° - 90°)



### Line Drawings

