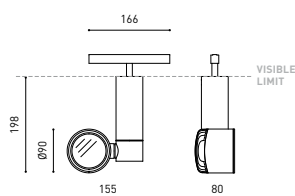




DIMENSIONS



ACCESSORIES



HIGH CHROMATIC LED



ANTI-GLARE HONEYCOMB LOUVER



ELLIPTICAL REFRACTOR | BEAM MIXER DIFFUSER



TRACK 48V OPTIONS

AWARDS



| | |
|-----------|-----------------------------|
| Name | ZEN TUBE 48V 2 16° 2700K NT |
| Reference | A3411210NT |
| Color | Textured black |
| RAL | 9005 |
| Category | TRACKLIGHTS |

PRODUCT

ZEN TUBE 48V 2 16° 2700K NT

A3411210NT

Textured black

9005

TRACKLIGHTS

LIGHTING INFORMATION

| | |
|-----------------------------|---------------------------|
| Light source | LED |
| Gross luminous flux | 2130 Lm |
| Power | 17 W |
| Power values of the system | 17,89 W |
| Colour temperature | 2700 K |
| Colour Rendering Index | CRI>90 |
| Chromatic stability | Mac Adam Step 2 |
| Light beam angle | 16° |
| Lighting efficiency | 90% |
| Efficacy | 125 Lm/W |
| Current intensity | 500 mA |
| Control through bluetooth | Please Consult |
| Driver | Included |
| Electrical insulation class | III |
| Voltage | 48 Vdc |
| Energy efficiency | A+ |
| LED lifespan | L80B10 (Tj=85°C) >60.000h |

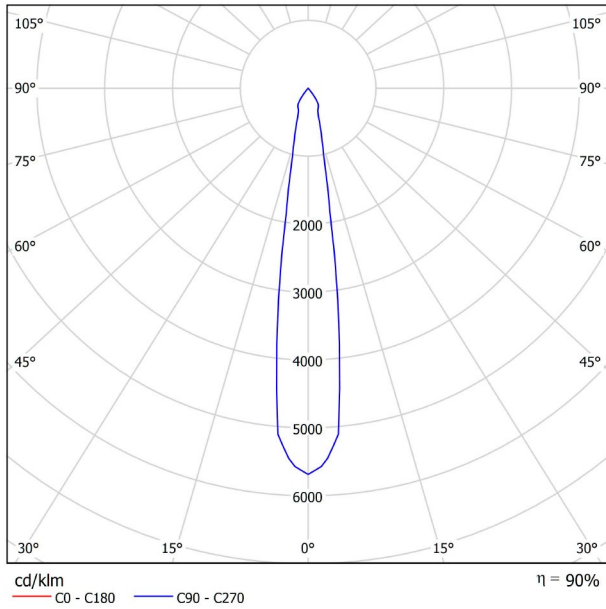
OTHER DATA

| | |
|----------------------|-------------------------|
| Ingress Protection | IP20 |
| Swivel angle | 270° |
| Rotation angle | 355° |
| Track type | Track 48V |
| Weight | 835 g. |
| Packaged weight | 1005 g. |
| Packaging dimensions | 274 × 228 × 98 mm. |
| Units per package | 1 |
| Materials | Aluminium / Glass-Trans |

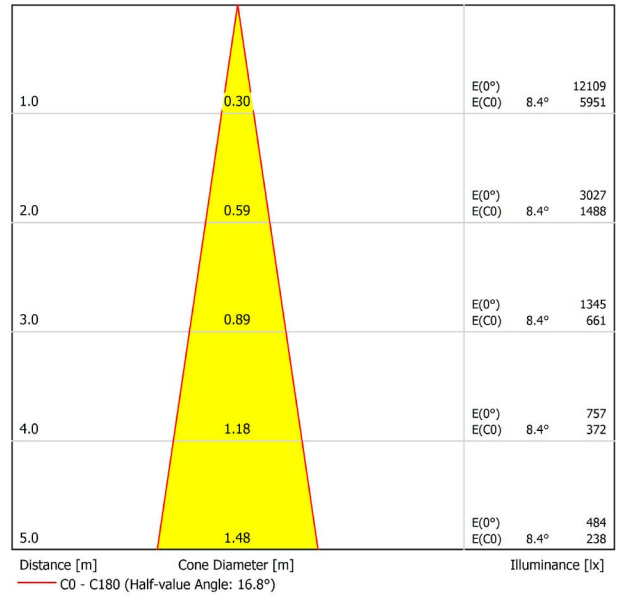


Zen Tube is Arkoslight's most awarded spotlight for its design. A very elegant and attractive product. In its reduced dimensions it encloses an outstanding performance for such a minimalistic piece.

POLAR DIAGRAM



CONICAL DIAGRAM



| Vivid Model Colour Temperature | 2700K | 3000K | 3500K | 4000K | Light Pink |
|-----------------------------------|-------|-------|-------|-------|------------|
| 📖 Reading | | | • | • | |
| 🥬 Fruits & Vegetables | | • | • | | |
| 🍞 Bakery | • | | | | |
| 👤 Retail | | • | • | | |
| 💄 Cosmetics | | | • | • | |
| 🥩 Meat | | | | | • |
| 🐟 Fish | | | | • | |
| 🐠 Seafood | | | | • | • |



For some of its products, Arkoslight offers the possibility to provide them with a special LED, designed to create an illumination focused on visually promoting goods or products for commercial purposes. It is a high chromaticity LED, capable of identifying the colour shades that produce a positive psychological perception of the illuminated object.

This special LED lighting source offers a much more attractive and intense colour range than a conventional LED, besides being much wider. Technically, this is possible thanks to a special LED setting that includes a «special saturation parameter», capable of highlighting the objects colours and materials in such a way that they seem more attractive within the visible light spectrum. To achieve this performance, in each case, the appropriate diode and specific phosphor coating are carefully selected.



| | PRODUCT |
|-----------|-----------------------------|
| Model | Anti-glare Honeycomb Louver |
| Reference | 07020200 |
| Category | Accessories |

NOT SOLD SEPARATELY.



Accessory made up of louvers in the shape of a honeycomb panel to reduce glare and the effects of direct rays of vision.



| | PRODUCT |
|-----------|----------------------|
| Model | Elliptical Refractor |
| Reference | 07000800 |
| Category | Accessories |

NOT SOLD SEPARATELY.

Lens that modifies the light beam to achieve an elliptical shape through light refraction in its optical glass.



| | PRODUCT |
|-----------|---------------------|
| Model | Beam Mixer Diffuser |
| Reference | 08050200 |
| Category | Accessories |

NOT SOLD SEPARATELY.

The Beam Mixer Diffuser is used to smooth beam artifacts caused by parabolic, Fresnel, or TIR lens collimators without significant broadening.

The unique mixing design provides superior far-field smoothing and color mixing with high on-axis brightness. Compared with traditional diffusers, it maintains higher central beam candlepower (CBCP), and produce less undesirable "field light" at higher angles.

TRACK 48V TRIMLESS

ARKOSLIGHT®

TRACK 48V SURFACE

Available on request. Please consult.



| | |
|---------------------------------|-----------------|
| TRACK 48V 1M | A338-01-00- N |
| TRACK 48V 2M | A338-02-00- N |
| TRACK 48V 3M | A338-03-00- N |
| TRACK 48V Corner 90° One Plane | A338-06-00- N |
| TRACK 48V Corner 90° Two Planes | A338-07-00- N |



| | | P | I | D |
|--------------------------------------|------------|------|-----|------------------|
| CONSTANT VOLTAGE LED POWER SUPPLY | 0434-01-21 | 75W | 48V | 180 x 52 x 30mm |
| | 0434-01-22 | 150W | 48V | 240 x 60 x 49mm |
| | 0434-01-19 | 75W | 48V | 235 x 100 x 31mm |
| | 0434-01-20 | 150W | 48V | 235 x 100 x 31mm |

CABLE SECTION AND LENGTH BETWEEN TRACK 48V AND POWER SUPPLY

| TRACK LENGTH (m) | | 10 | | | 20 | | 29 |
|------------------|---------------------|----|----|----|----|----|----|
| CABLE LENGTH (m) | | 1 | 10 | 20 | 1 | 10 | 1 |
| POWER (W) | CABLE SECTION (mm²) | | | | | | |
| 75W | 0,75mm² | ✓ | ✓ | ✓ | ✓ | ✓ | ✓ |
| | 1,5mm² | ✓ | ✓ | ✓ | ✓ | ✓ | ✓ |
| 150W | 0,75mm² | ✓ | X | X | ✓ | X | ✓ |
| | 1,5mm² | ✓ | ✓ | X | ✓ | ✓ | ✓ |

COLOUR | N ■ RAL 9005 |

Recommended for installations where the profile can be installed before the false plasteboard ceiling (thickness 12,5mm.)



TRACK 48V TRIMLESS

ARKOSLIGHT®

TRACK 48V SURFACE

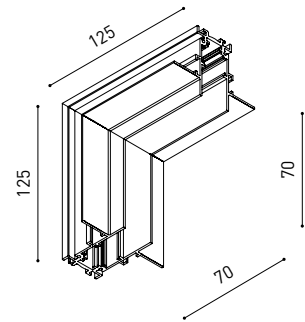
Available on request. Please consult.

TRACK 48V 90° CORNER One Plane



*Electrical connection not included

TRACK 48V 90° CORNER Two Planes



*Electrical connection not included



TRACK 48V Live-End Connector

A338-00-01- | N |



TRACK 48V End

A338-00-06- | N |



TRACK 48V Central Connector

A338-00-02- | N |



TRACK 48V End Feed

A338-00-07- | N |



TRACK 48V Corner 90° Connector

A338-00-12



TRACK 48V Suspension Kit

A338-00-08

See accessories quantities*



TRACK 48V Short T-Bracket

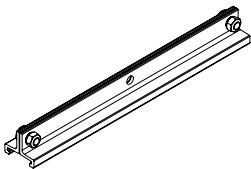
A338-00-03



TRACK 48V Clamp for M6 ROD

A338-00-09

See accessories quantities*



TRACK 48V Long T-Bracket

A338-00-04



TRACK 48V Track Clamp

A338-00-10

See accessories quantities*



TRACK 48V Straight Joiners (2 Units)

A338-00-05

* SUGGESTED MOUNTING ACCESSORIES QUANTITIES

1000 mm - 2 Pcs.
2000 mm - 3 Pcs.
3000 mm - 4 Pcs.

COLOUR | N ■ RAL 9005 |

Recommended for installations where the profile can be installed before the false plasteboard ceiling (thickness 12,5mm.)