

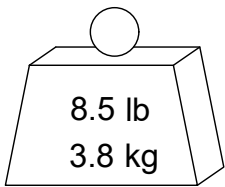
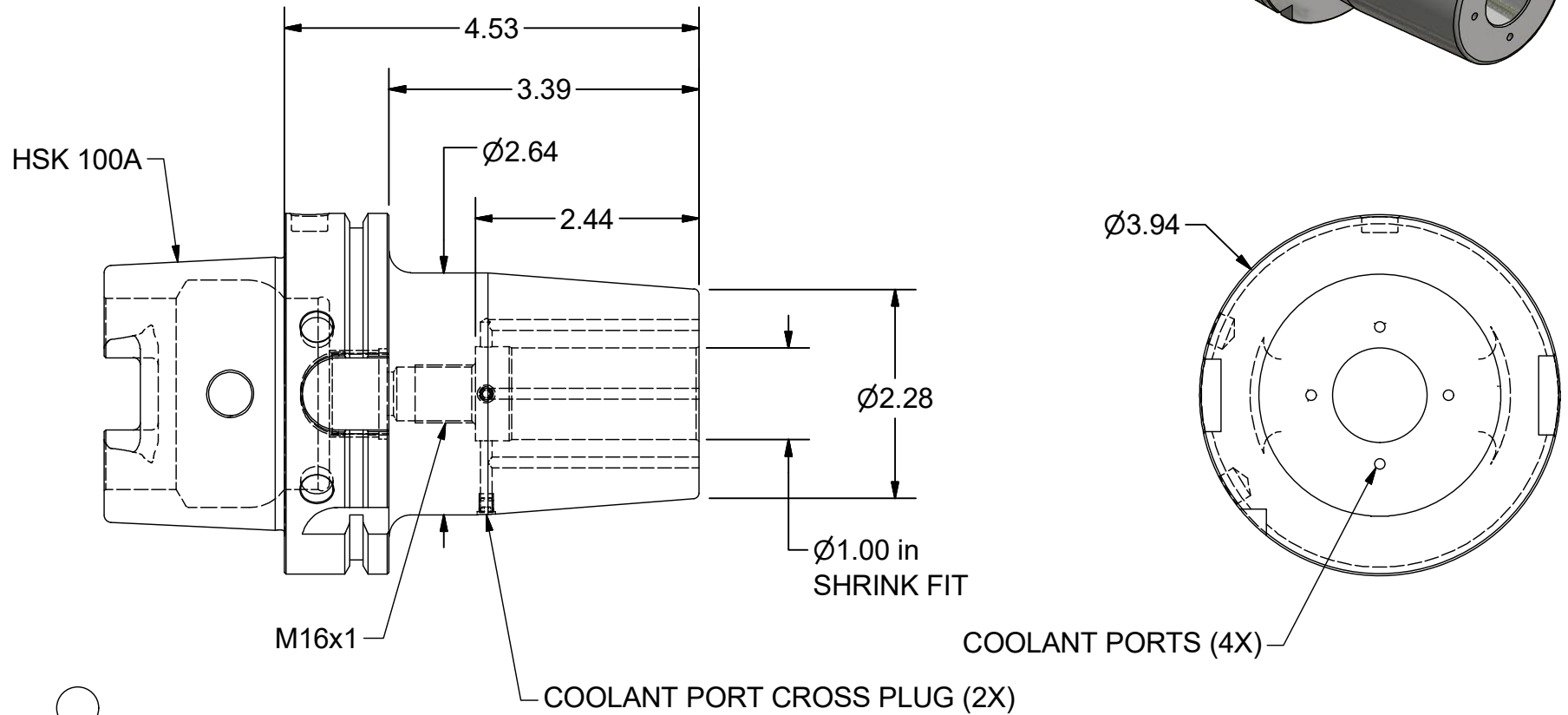
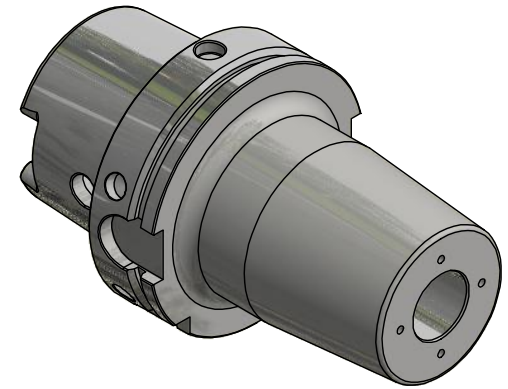
Parts List

THIS DRAWING IS FOR CUSTOMER APPROVAL ONLY | RETURN FAX: 1-800-866-5917

ITEM	QTY	PART NUMBER	DESCRIPTION
------	-----	-------------	-------------

PLEASE NOTE: PARLEC WARRANTS ALL STANDARD TOOLING AND/OR COMPONENTS. ON ALL SPECIAL CUSTOMER DEFINED TOOLS AND COMPONENTS, PARLEC WARRANTS ONLY THE ACCURACY OF THE SPECIFICATIONS NOTED ON THE APPROVAL DOCUMENT. THE FUNCTIONALITY OF CUSTOMER DEFINED COMPONENTS/SPECIALS ARE SOLELY THE RESPONSIBILITY OF THE CUSTOMER. PRICING & DELIVERY IS BASED ON THIS CONCEPT. ANY CUSTOMER CHANGES DURING THE APPROVAL PROCESS MAY RESULT IN CHANGES TO PRICE AND LEAD-TIME.

SIGNATURE _____ DATE _____



PRE-BALANCE: G2.5 @ 20,000 RPM

PART NUMBER

H100A-10SHD453-9C

PARLEC
 (800) TOOL USA
 WORLD HEADQUARTERS
 101 PERINTON PARKWAY
 FAIRPORT, NEW YORK 14450

