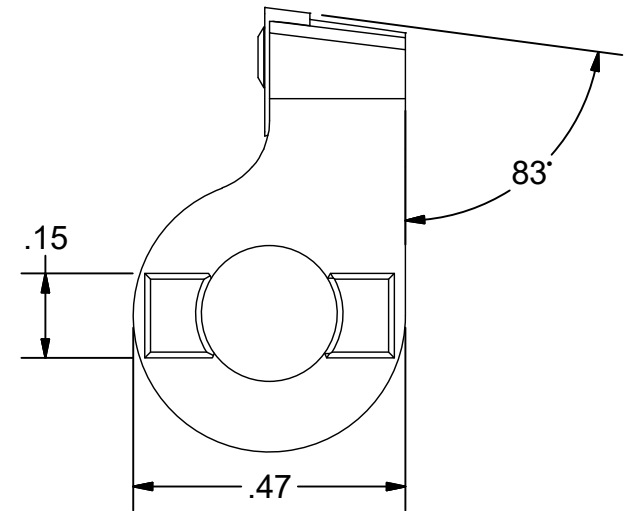
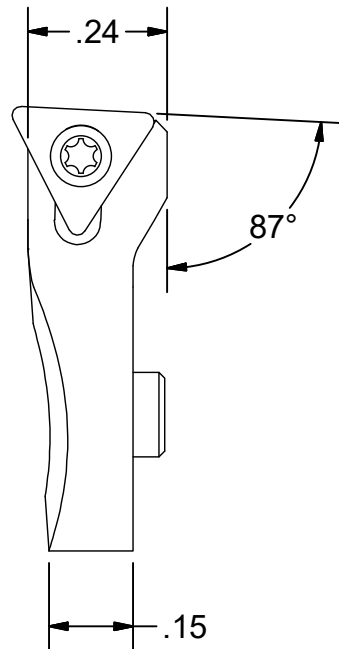
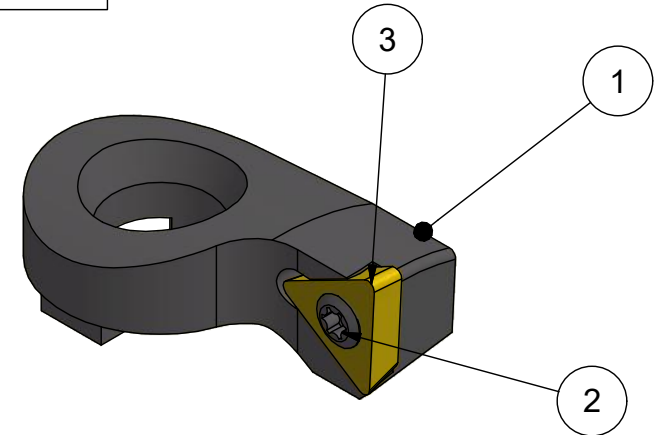


Parts List

ITEM	QTY	PART NUMBER	DESCRIPTION
1	1	331-T06-3	INSERT HOLDER, SIZE 3
2	1	028-910	INSERT SCREW, M2 x 4.5, Included
3	1	TCMT 06 (TCMT 1.2(1.2))	INSERT PURCHASED SEPARATELY
4	1	018-002	T6 TORX WRENCH, Included, Not Shown



PART
NUMBER

331-T06-3

PARLEC
 (800) TOOL USA
 WORLD HEADQUARTERS
 101 PERINTON PARKWAY
 FAIRPORT, NEW YORK 14450

