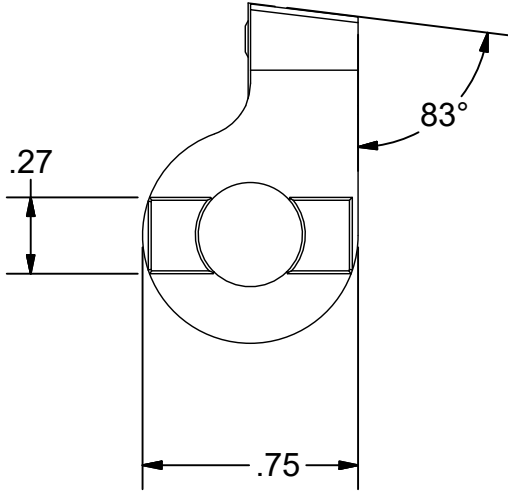
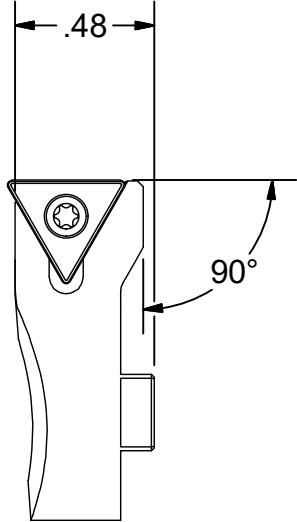
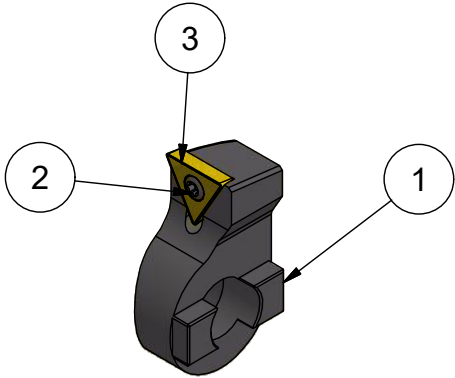


Parts List

ITEM	QTY	PART NUMBER	DESCRIPTION
1	1	351-T11-0	INSERT HOLDER, SIZE 5, 0 Deg.
2	1	028-905	INSERT SCREW, M2.5 x 7.5, Included
3	1	TCMT 11 : TCMT2(1.5)	INSERT PURCHASED SEPARATELY
4	1	018-007	T7 TORX WRENCH, Included, Not Shown



PART  
NUMBER

351-T11-0

**PARLEC**  
 (800) TOOL USA  
 WORLD HEADQUARTERS  
 101 PERINTON PARKWAY  
 FAIRPORT, NEW YORK 14450

