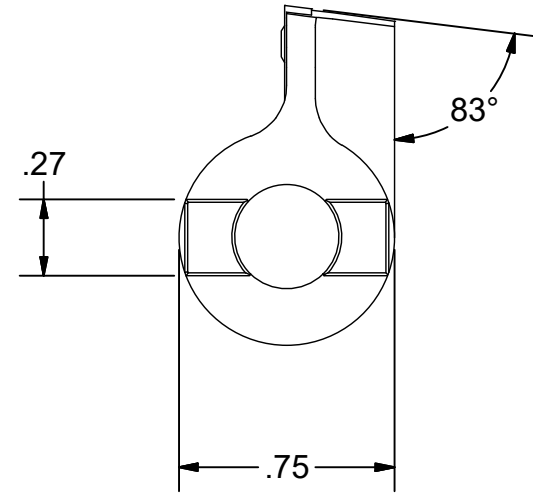
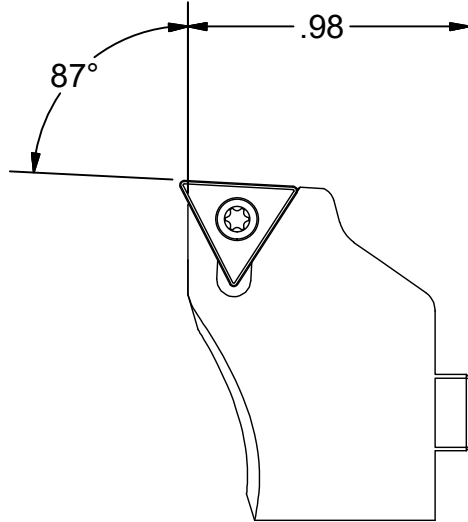
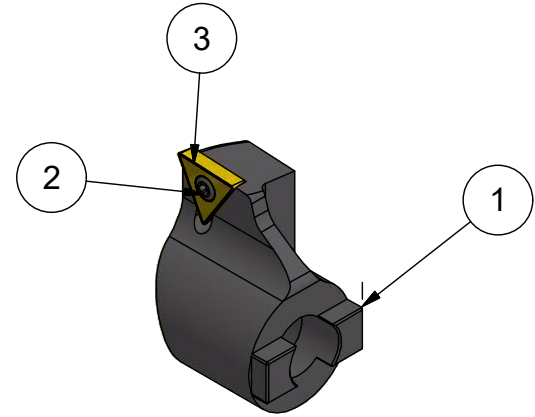


Parts List

ITEM	QTY	PART NUMBER	DESCRIPTION
1	1	353-T11-3	INSERT HOLDER, EXT SIZE 5, - 3 Deg.
2	1	028-905	INSERT SCREW, M2.5 x 7.5, Included
3	1	TCMT 11 : TCMT2(1.5)	INSERT PURCHASED SEPARATELY
4	1	018-007	T7 TORX WRENCH, Included, Not Shown



PART
NUMBER

353-T11-3

PARLEC
 (800) TOOL USA
 WORLD HEADQUARTERS
 101 PERINTON PARKWAY
 FAIRPORT, NEW YORK 14450

