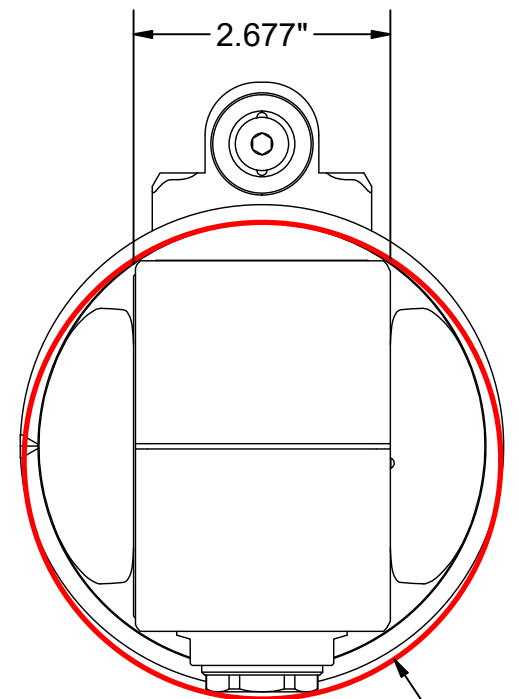
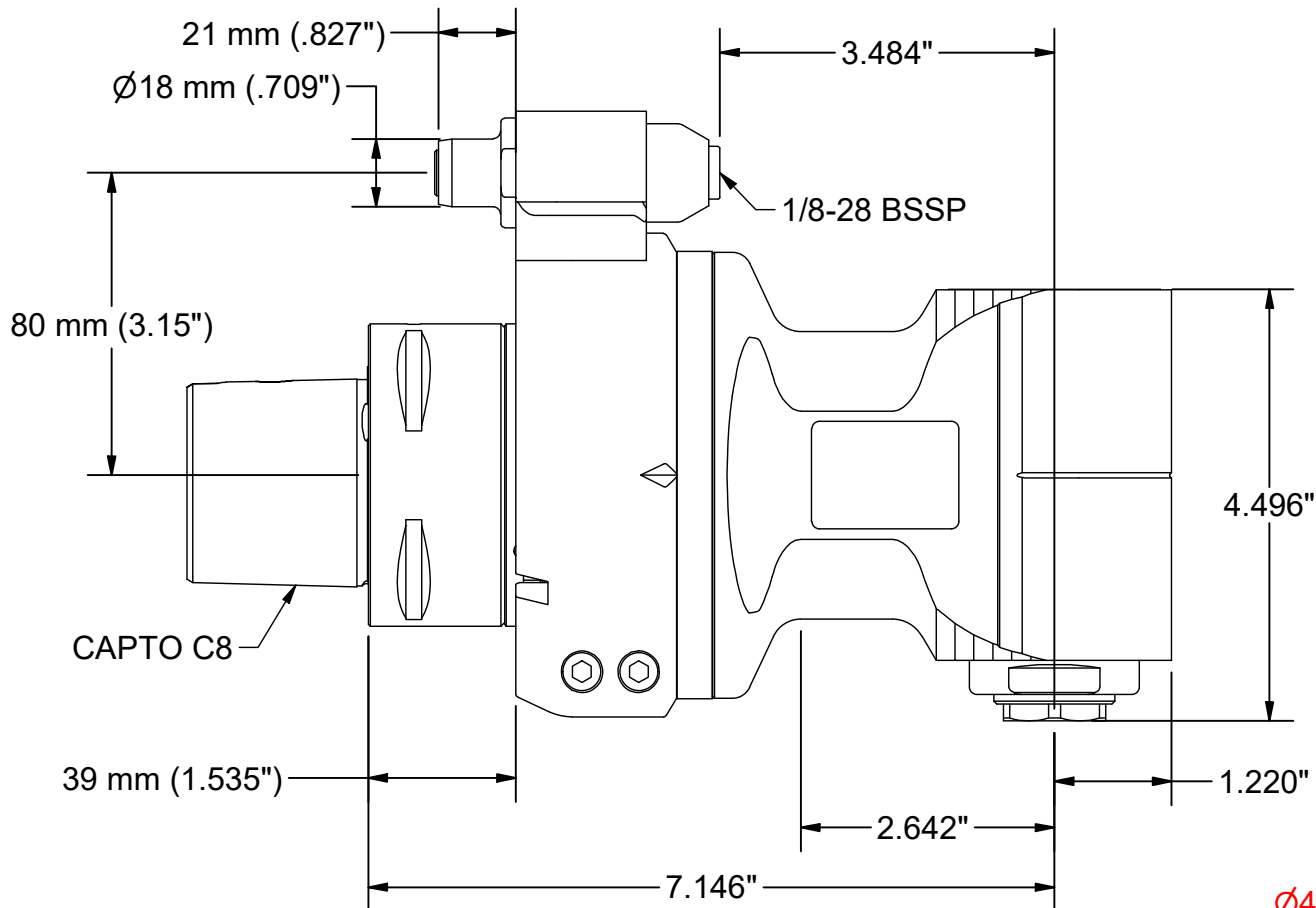
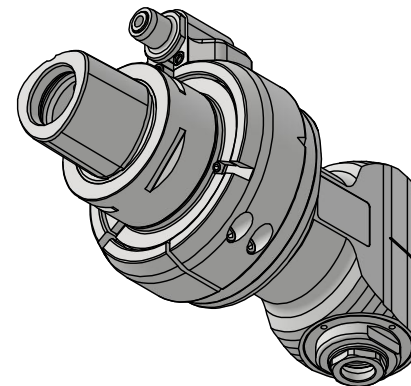


UNIVERSAL STOP BLOCK
(9.F18.INDEX)

1/8-28 BSSP

18MM



Ø4.961" MINIMUM CLEARANCE CIRCLE

OUTPUT: ER25

DIRECTION: OPPOSITE MACHINE SPINDLE

MAX RPM: 5,000

TORQUE: 487 in/lbs

RATIO: 1:1

WEIGHT: 24 lbs

PART
NUMBER

9.F90.16000-2C8

PARLEC

(800) TOOL USA

WORLD HEADQUARTERS
101 PERINTON PARKWAY
FAIRPORT, NEW YORK 14450

