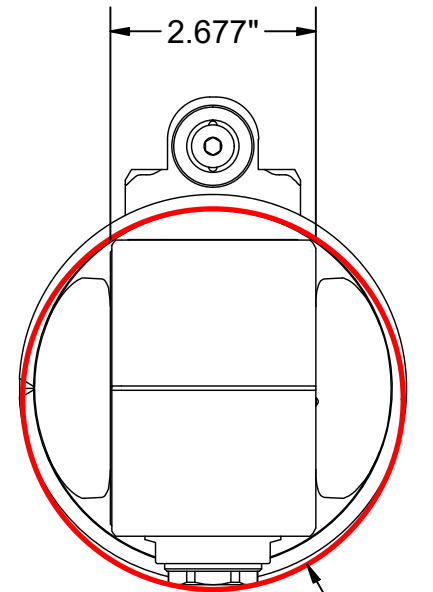
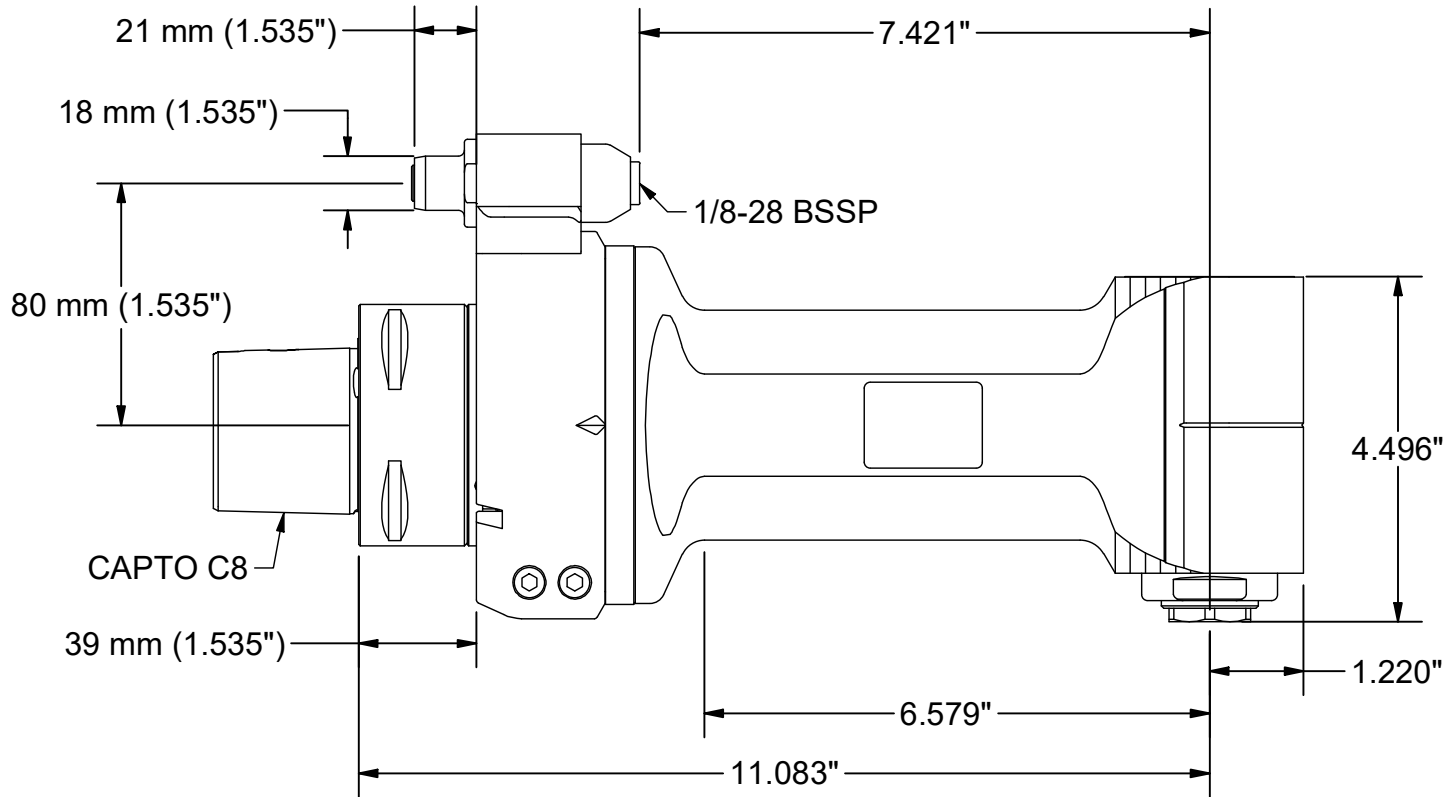
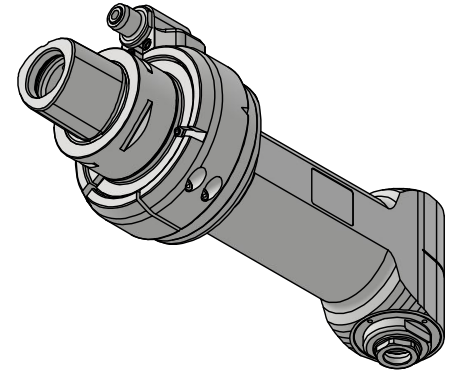
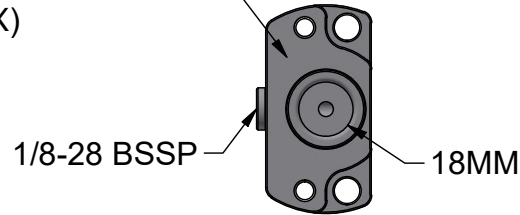


UNIVERSAL STOP BLOCK
(9.F18.INDEX)



Ø4.961" MINIMUM CLEARANCE CIRCLE

OUTPUT: ER25
DIRECTION: OPPOSITE MACHINE SPINDLE
RPM: 5,000
TORQUE: 487 in/lbs
RATIO: 1:1
WEIGHT: 28 lbs

PART
NUMBER

9.F90.16L00-2C8

PARLEC
(800) TOOL USA
WORLD HEADQUARTERS
101 PERINTON PARKWAY
FAIRPORT, NEW YORK 14450

