

6

5

4

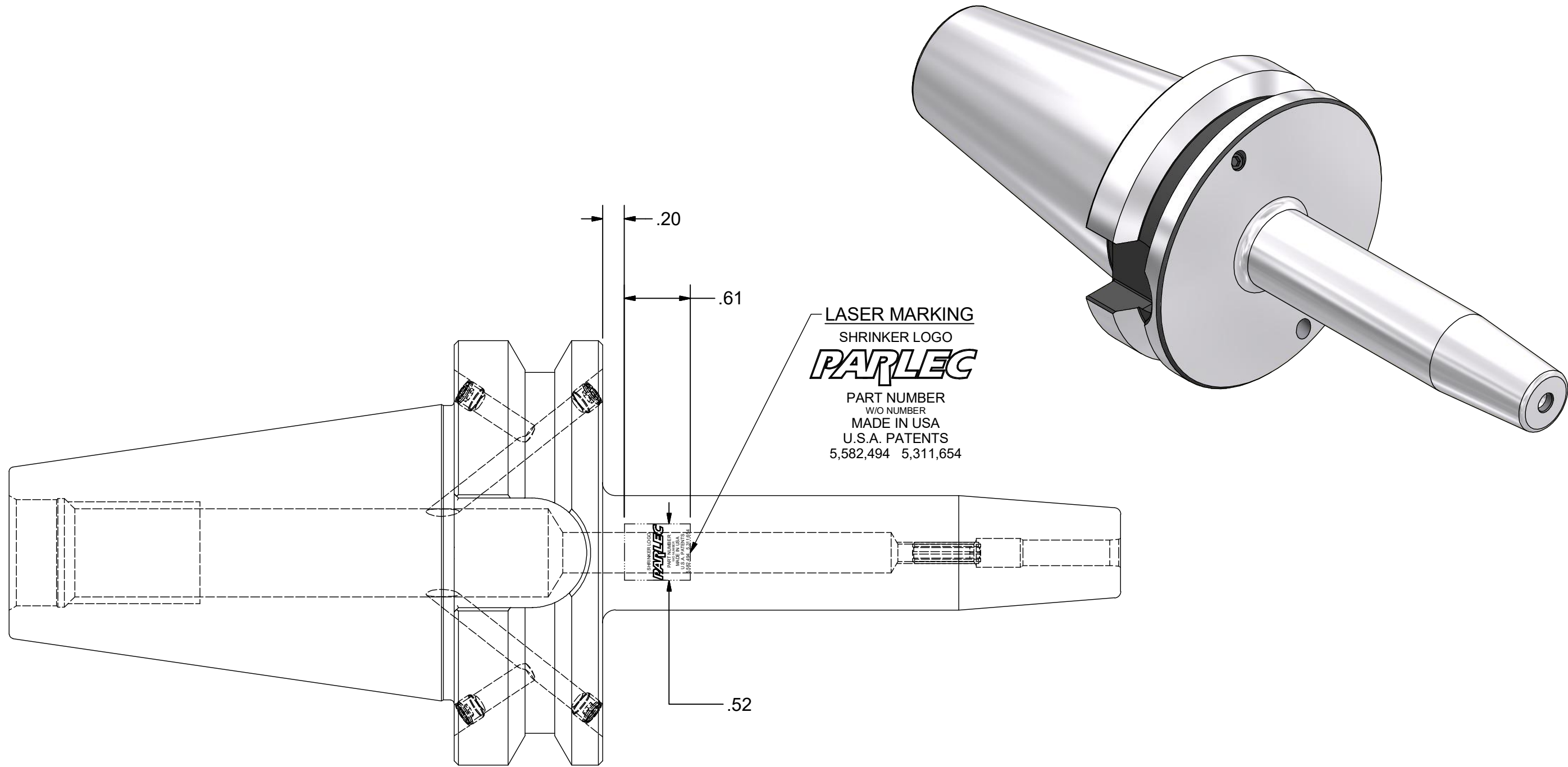
3

2

1

ITEMS SHOWN ON THIS DOCUMENT CONTAIN PROPRIETARY INFORMATION OF PARLEC INC. AND IS SUBJECT TO BEING RETURNED UPON REQUEST. IT SHALL NOT BE REPRODUCED IN WHOLE OR PART WITHOUT WRITTEN PERMISSION OF PARLEC INC. ANY AUTHORIZED REPRODUCTION MUST BEAR THIS ENTIRE LEGEND.

REVISION RECORD			
LET	DESCRIPTION	BY	DATE
A	RELEASED	BN	4/10



<p>THIRD ANGLE PROJECTION</p>	
<p>BREAK ALL UNNECESSARY SHARP CORNERS</p>	
<p>ANGULAR: ± 1° (DEGREE)</p>	
<p>INCH DIMENSIONS</p> <p>.X ± .04</p> <p>.XX ± .015</p> <p>.XXX ± .005</p> <p>.XXXX ± .0002</p>	<p>METRIC DIMENSIONS</p> <p>X ± 1</p> <p>.X ± 0.5</p> <p>.XX ± 0.13</p> <p>.XXX ± 0.005</p>

PARLEC
 (800) TOOL USA
 WORLD HEADQUARTERS
 101 PERINTON PARKWAY
 FAIRPORT, NEW YORK 14450

PART NAME	SHRINK FIT HOLDER	SCALE	NONE
MATERIAL		DATE	1/11/2010
HEAT TREAT			
FINISH			
DRAWN BY	BASH N	CHECKED BY	

PART NUMBER	BT50-M06SF160-9	REV.	A
-------------	-----------------	------	---