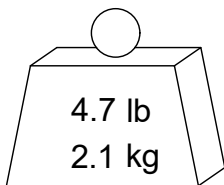
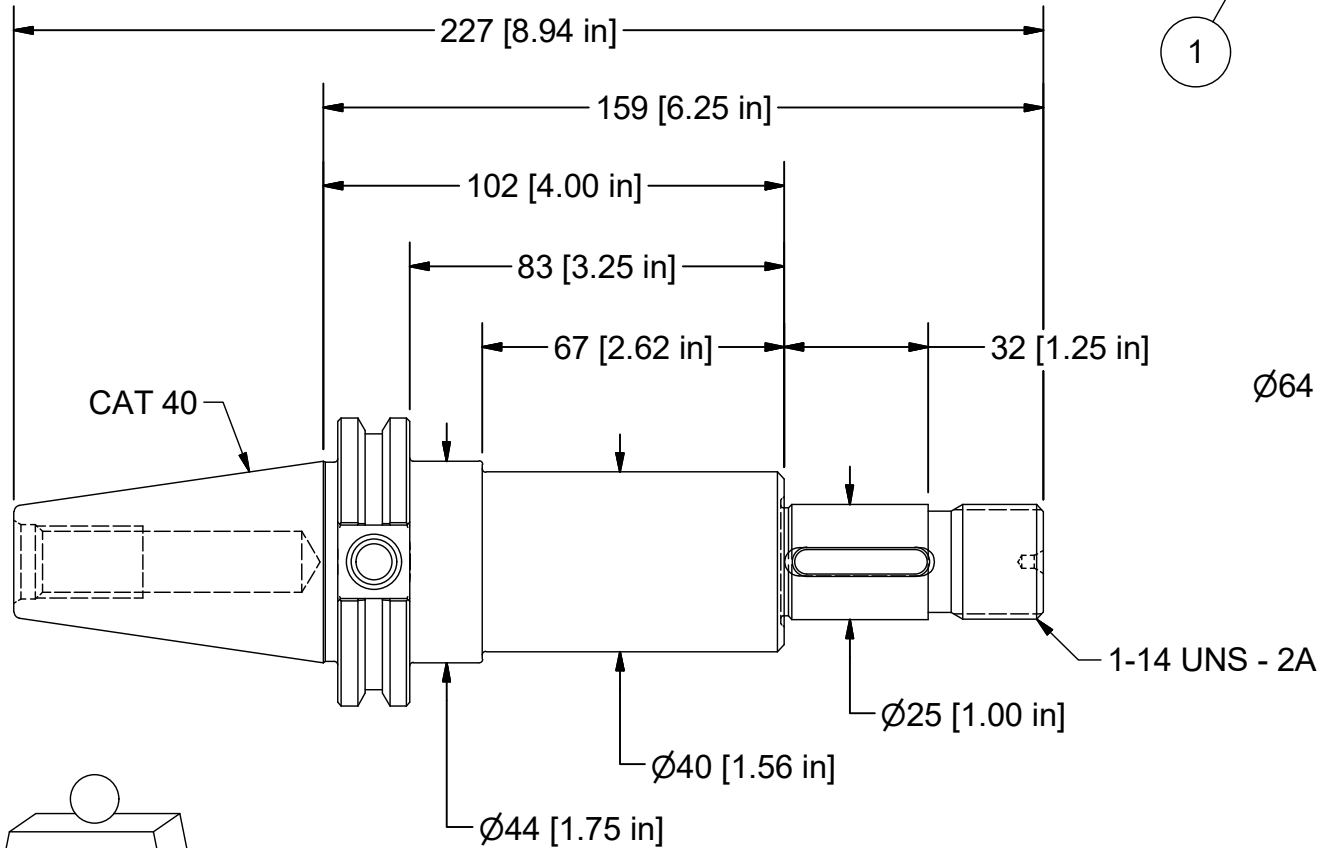
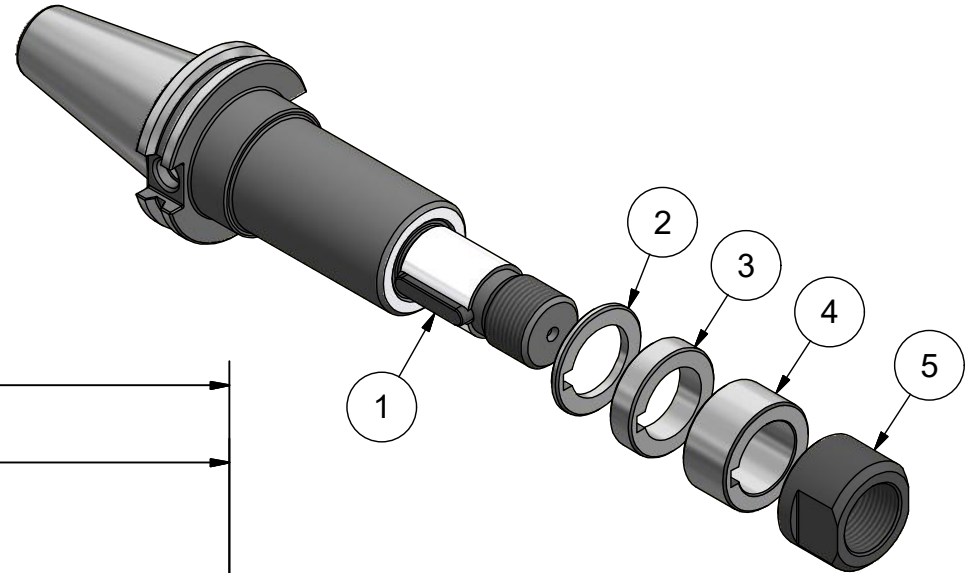


Parts List			
ITEM	QTY	PART NUMBER	DESCRIPTION
1	1	SAK-10	STUB ARBOR KEY
2	1	014-906	ARBOR SPACER 1.00ID .125 THK
3	1	014-907	ARBOR SPACER 1.00ID .375 THK
4	1	014-908	ARBOR SPACER 1.00ID .375 THK
5	1	013-502	NUT, ARBOR

THIS DRAWING IS FOR CUSTOMER APPROVAL ONLY RETURN EMAIL: ESALES@PARLEC.COM

PLEASE NOTE: 1) PARLEC WARRANTS ALL STANDARD TOOLING AND/OR COMPONENTS. ON ALL SPECIAL CUSTOMER DEFINED TOOLS AND COMPONENTS. PARLEC WARRANTS ONLY THE ACCURACY OF THE SPECIFICATIONS NOTED ON THE APPROVAL DOCUMENT. THE FUNCTIONALITY OF CUSTOMER DEFINED COMPONENTS (SPECIALS) ARE SOLELY THE RESPONSIBILITY OF THE CUSTOMER. 2) PRICING & DELIVERY IS BASED ON THIS CONCEPT. ANY CUSTOMER CHANGES DURING THE APPROVAL PROCESS MAY RESULT IN CHANGES TO PRICE AND LEAD-TIMES.

SIGNATURE _____ DATE _____



PART
NUMBER

C40-10SA4

PARLEC
(800) TOOL USA
WORLD HEADQUARTERS
101 PERINTON PARKWAY
FAIRPORT, NEW YORK 14450