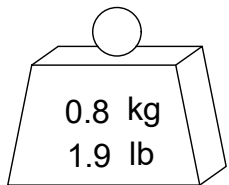
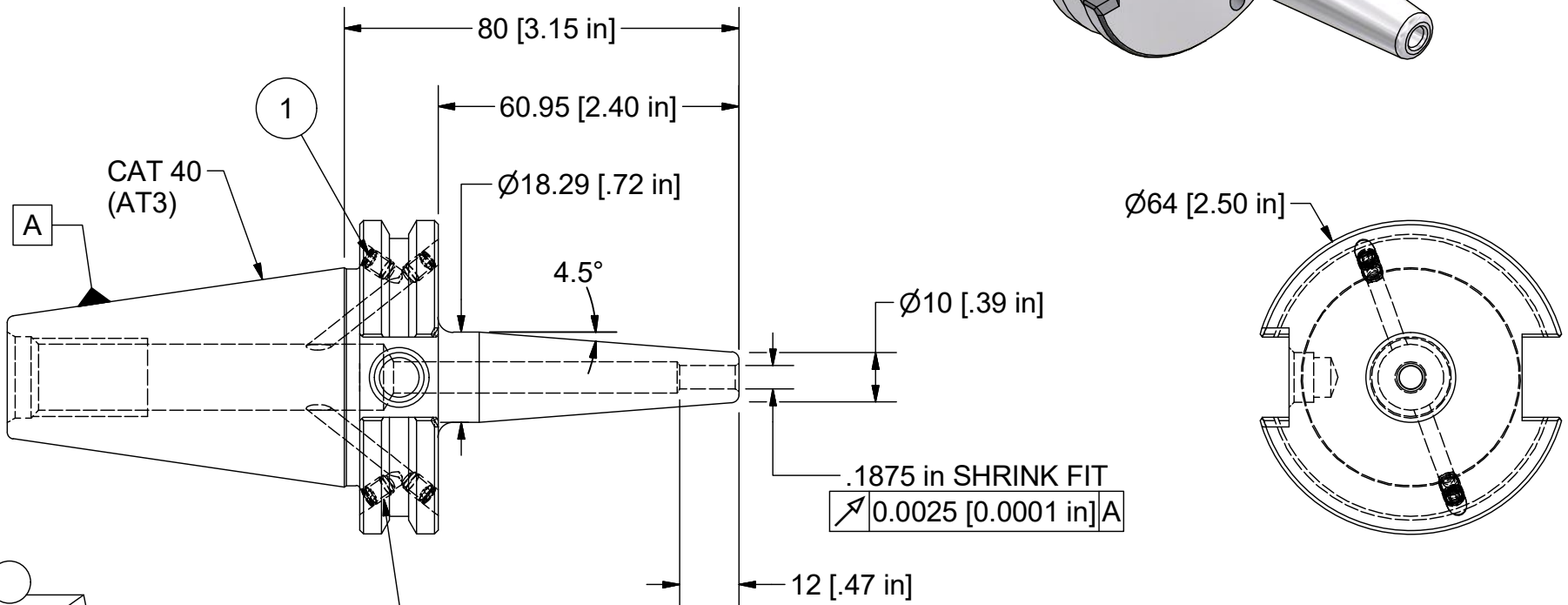
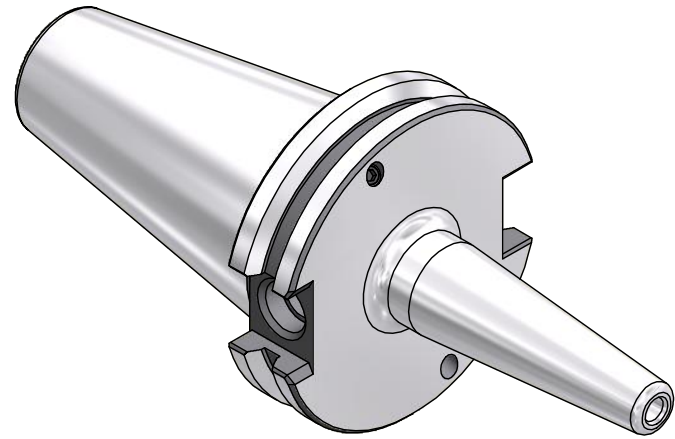


Parts List

ITEM	QTY	PART NUMBER	DESCRIPTION
1	4	029-965	SET SCREW, M4 x 6 W/360 DEG. PATCH



FORM AD (THROUGH SPINDLE)  
REMOVE FOR FORM B (FLANGE ENTRY)

BALANCE  
G2.5 @ 20,000 RPM

PART NUMBER  
**C40-18SF315-9**

**PARLEC**  
(800) TOOL USA  
WORLD HEADQUARTERS  
101 PERINTON PARKWAY  
FAIRPORT, NEW YORK 14450