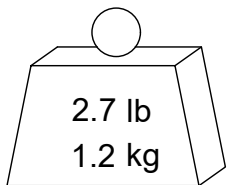
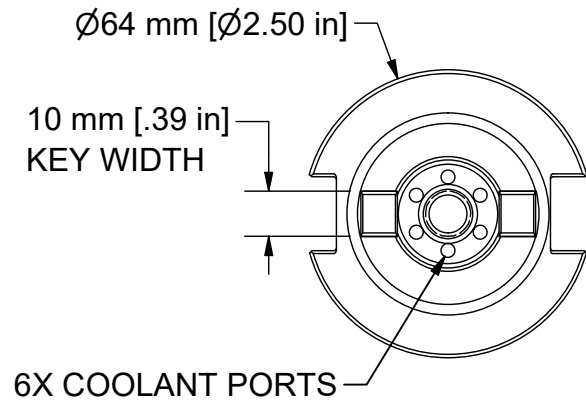
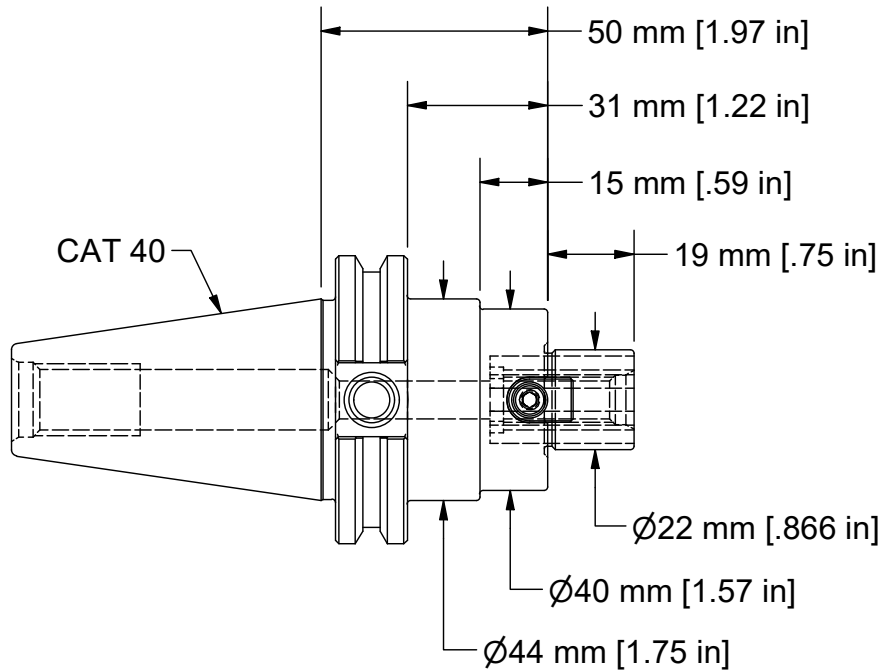
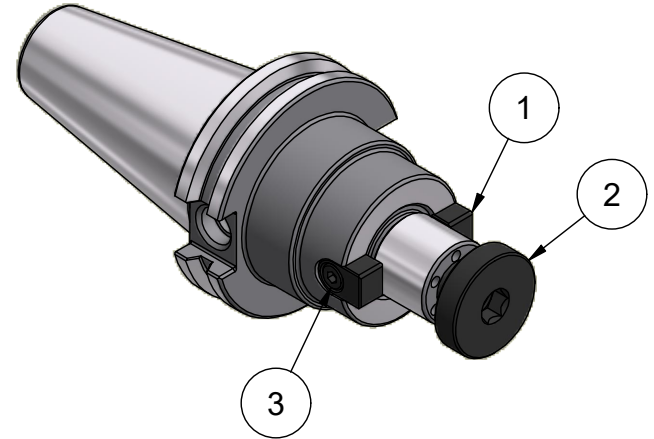


Parts List

| ITEM | QTY | PART NUMBER | DESCRIPTION |
|------|-----|-------------|-------------------------------|
| 1 | 2 | 22MMKY | KEY, SHELL MILL HOLDER |
| 2 | 1 | 22MMLS | LOCK SCREW, SHELL MILL HOLDER |
| 3 | 2 | 028-197 | CAP SCREW, M4 x 10 |



PART
NUMBER

C40-M22SM50C

PARLEC
 (800) TOOL USA
 WORLD HEADQUARTERS
 101 PERINTON PARKWAY
 FAIRPORT, NEW YORK 14450

