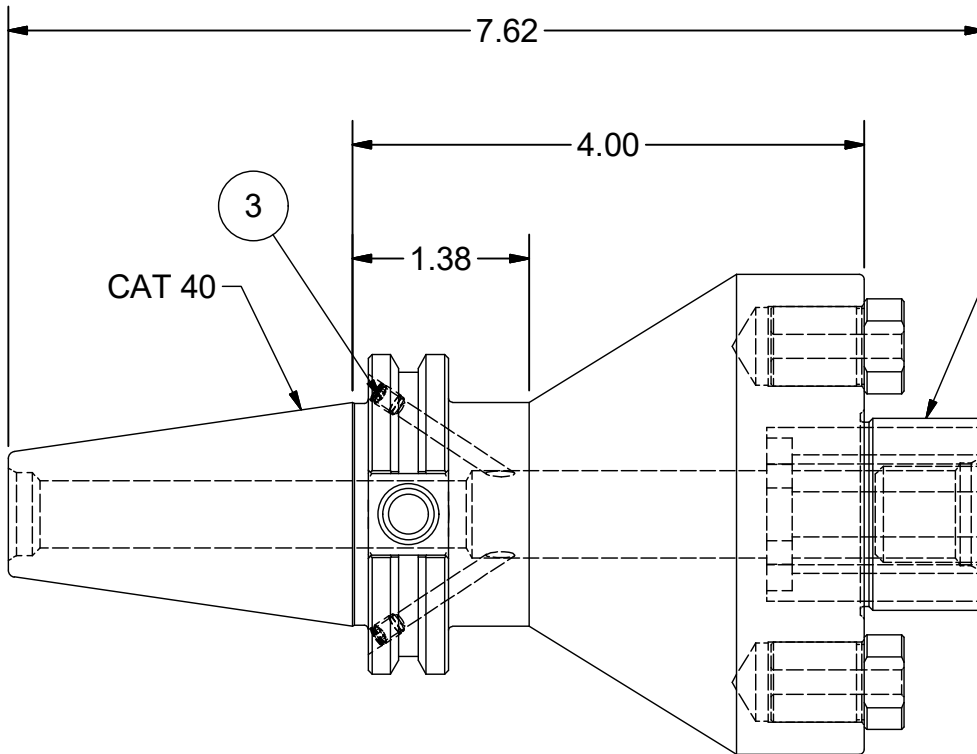
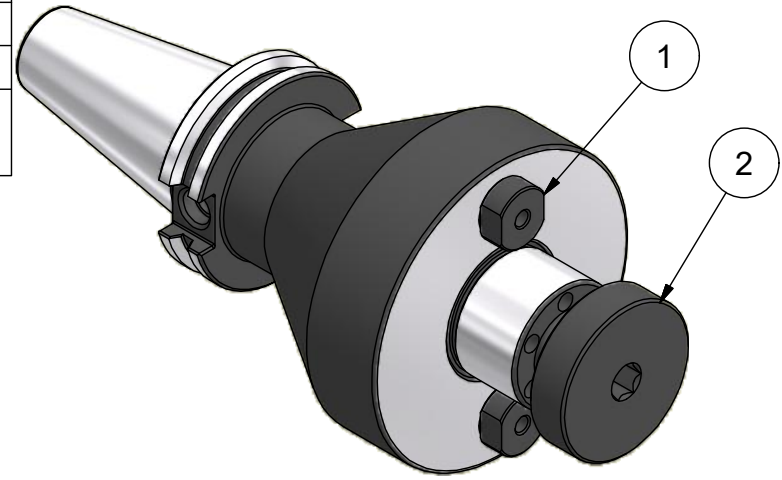


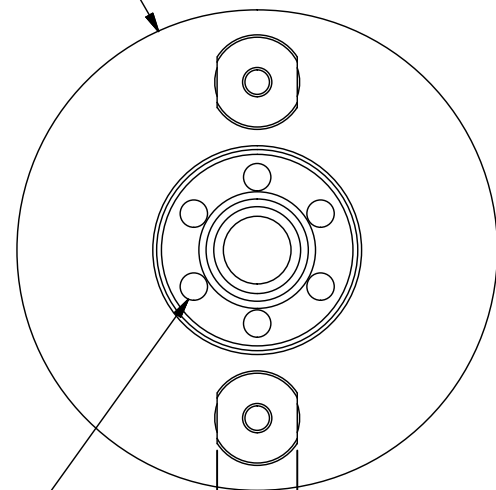
Parts List

ITEM	QTY	PART NUMBER	DESCRIPTION
1	2	15KY	DRIVE KEY
2	1	15LS	LOCK SCREW
3	2	029-965	SET SCREW, M4 x 6 W/360 DEG. PATCH



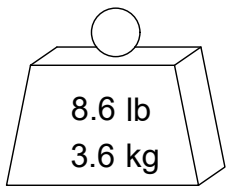
1 1/2" SHELL MILL

Ø3.75



COOLANT PORTS (6)

.63



8.6 lb
3.6 kg

PART
NUMBER

C40BC-15SM400C

PARLEC
 (800) TOOL USA
 WORLD HEADQUARTERS
 101 PERINTON PARKWAY
 FAIRPORT, NEW YORK 14450