

Parts List

THIS DRAWING IS FOR CUSTOMER APPROVAL ONLY

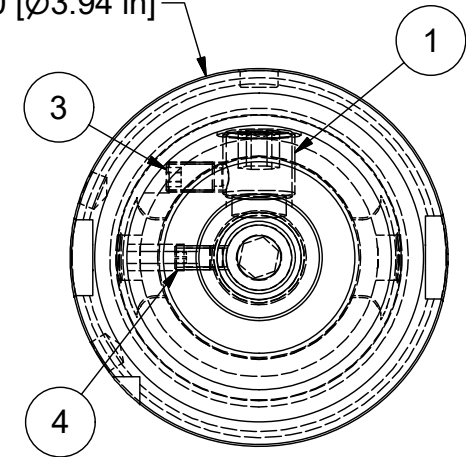
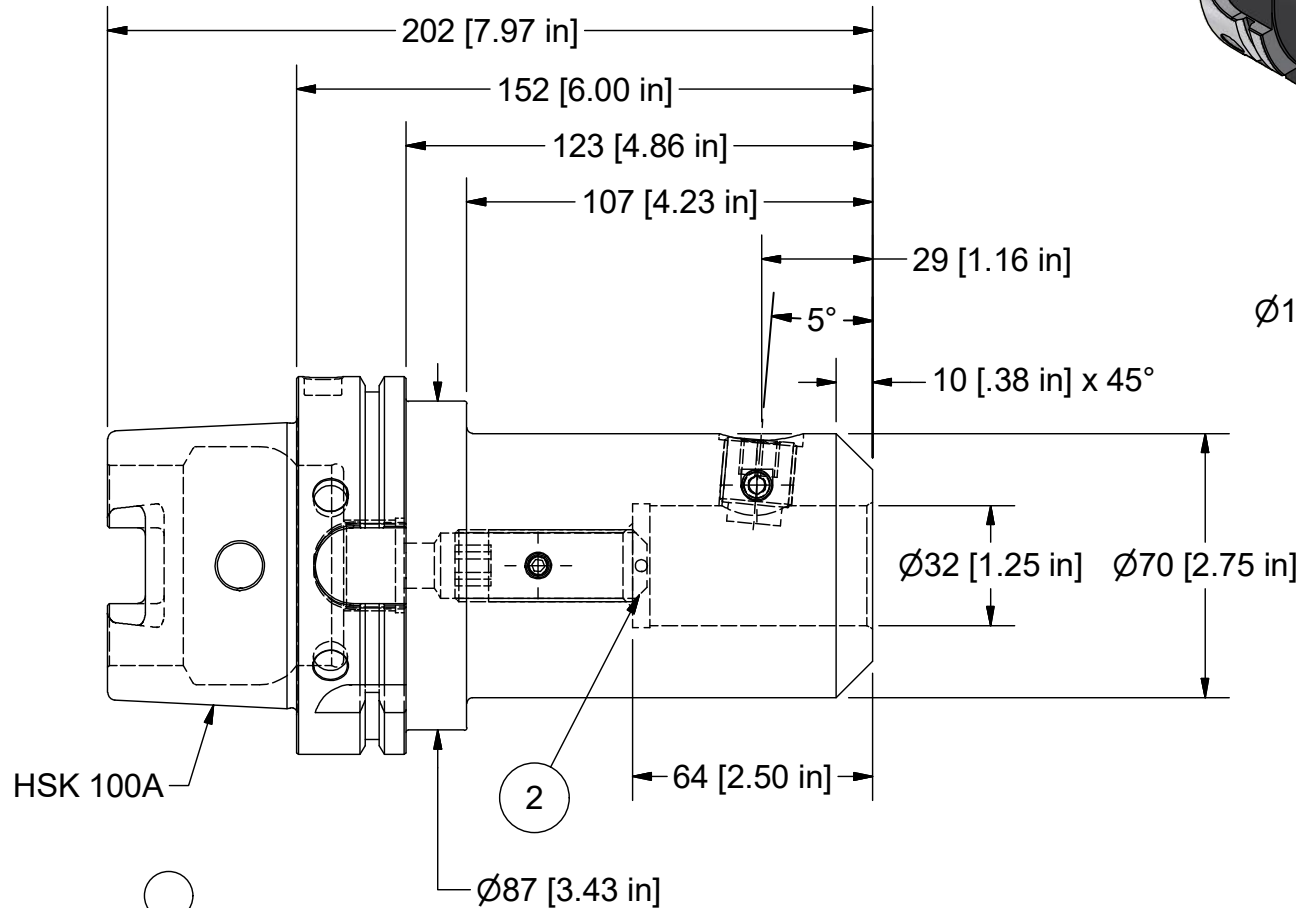
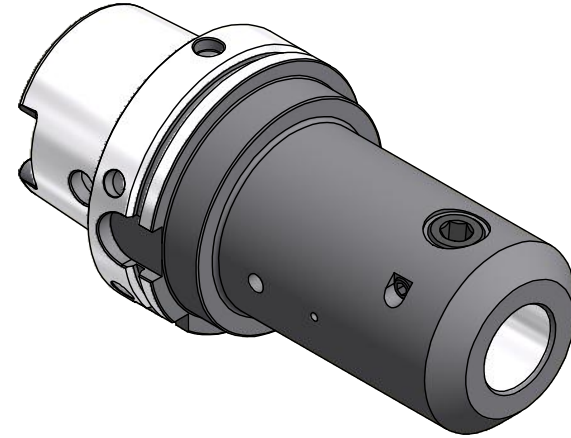
RETURN EMAIL: ESALES@PARLEC.COM

ITEM	QTY	PART NUMBER	DESCRIPTION
1	1	029-513	SCR, SET HALFD OG PT. 3/4-16 X 7/8
2	1	029-071	SET SCREW, 3/4-16x2.00 FLT PT
3	1	029-605	SET SCREW, 5/16-24X1/2" BRASS TIP
4	1	029-603	SET SCREW, 1/4-20x3/8 BRASS TIP

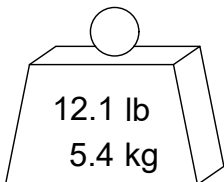
PLEASE NOTE: 1) PARLEC WARRANTIES ALL STANDARD TOOLING AND/OR COMPONENTS. ON ALL SPECIAL CUSTOMER DEFINED TOOLS AND COMPONENTS, PARLEC WARRANTIES ONLY THE ACCURACY OF THE SPECIFICATIONS NOTED ON THE APPROVAL DOCUMENT. THE FUNCTIONALITY OF CUSTOMER DEFINED COMPONENTS (SPECIALS) ARE SOLELY THE RESPONSIBILITY OF THE CUSTOMER. 2) PRICING & DELIVERY IS BASED ON THIS CONCEPT. ANY CUSTOMER CHANGES DURING THE APPROVAL PROCESS MAY RESULT IN CHANGES TO PRICE AND LEAD-TIMES.

SIGNATURE

DATE



HSK 100A



PART NUMBER

H100-12A2EM600

PARLEC
 (800) TOOL USA
 WORLD HEADQUARTERS
 101 PERINTON PARKWAY
 FAIRPORT, NEW YORK 14450