

Parts List

THIS DRAWING IS FOR CUSTOMER APPROVAL ONLY

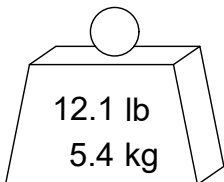
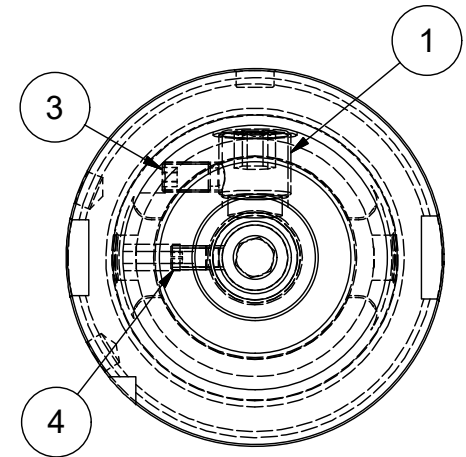
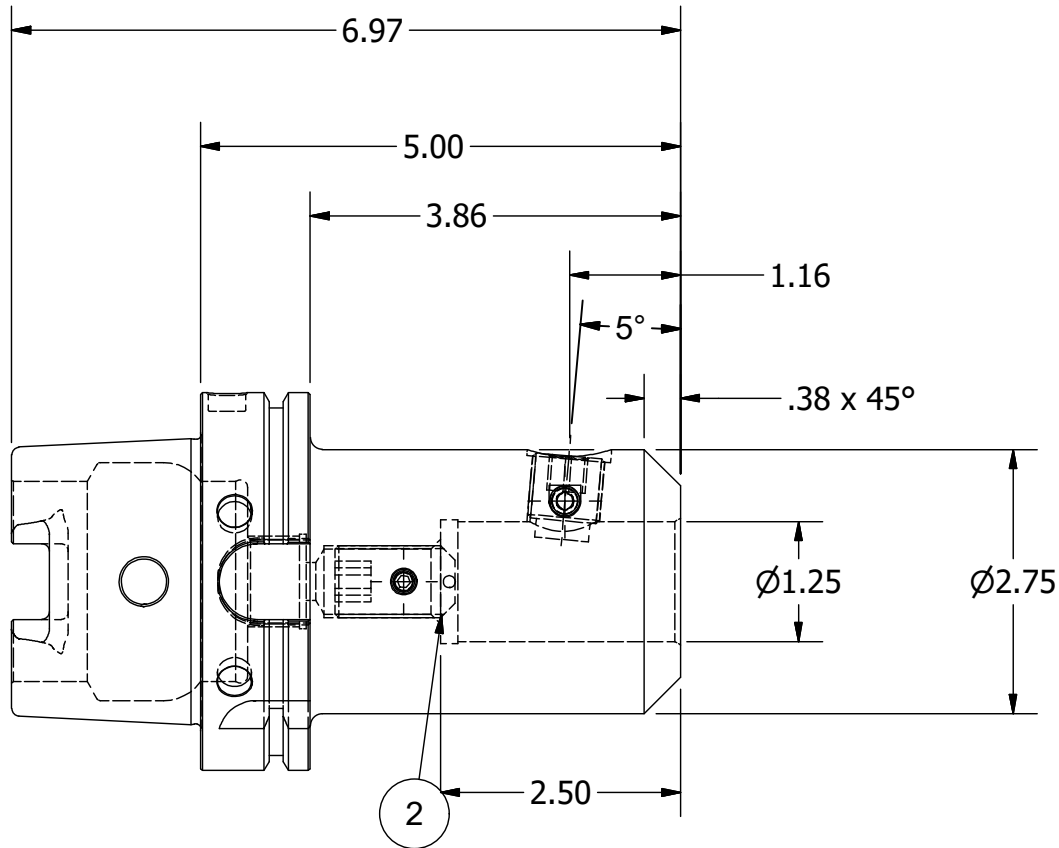
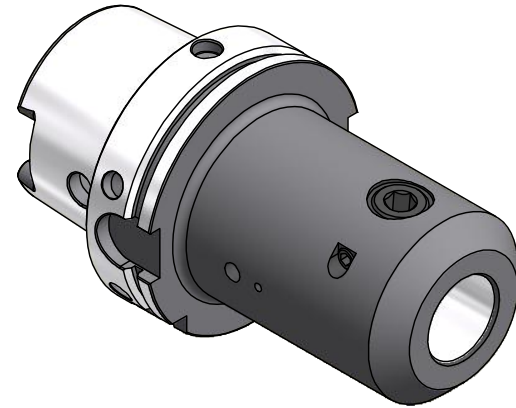
RETURN EMAIL: ESALES@PARLEC.COM

ITEM	QTY	PART NUMBER	DESCRIPTION
1	1	029-513	SCR, SET HALFD OG PT. 3/4-16 X 7/8
2	1	029-404	SCREW,SET,FLT PT, 3/4-16X1.25
3	1	029-605	SET SCREW, 5/16-24X1/2" BRASS TIP
4	1	029-603	SET SCREW, 1/4-20x3/8 BRASS TIP

PLEASE NOTE: 1) PARLEC WARRANTIES ALL STANDARD TOOLING AND/OR COMPONENTS. ON ALL SPECIAL CUSTOMER DEFINED TOOLS AND COMPONENTS. PARLEC WARRANTIES ONLY THE ACCURACY OF THE SPECIFICATIONS NOTED ON THE APPROVAL DOCUMENT. THE FUNCTIONALITY OF CUSTOMER DEFINED COMPONENTS (SPECIALS) ARE SOLELY THE RESPONSIBILITY OF THE CUSTOMER. 2) PRICING & DELIVERY IS BASED ON THIS CONCEPT. ANY CUSTOMER CHANGES DURING THE APPROVAL PROCESS MAY RESULT IN CHANGES TO PRICE AND LEAD-TIMES.

SIGNATURE

DATE



PART NUMBER

H100A-12AJEM500

**PARLEC**  
 (800) TOOL USA  
 WORLD HEADQUARTERS  
 101 PERINTON PARKWAY  
 FAIRPORT, NEW YORK 14450