

Parts List

ITEM	QTY	PART NUMBER	DESCRIPTION
1	2	15KY	DRIVE KEY
2	1	15LS	LOCK SCREW

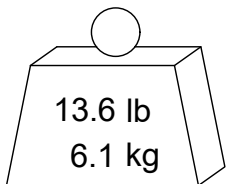
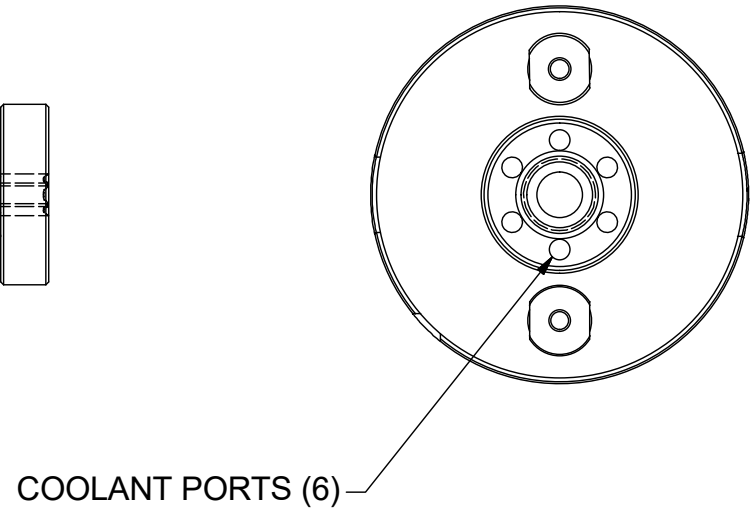
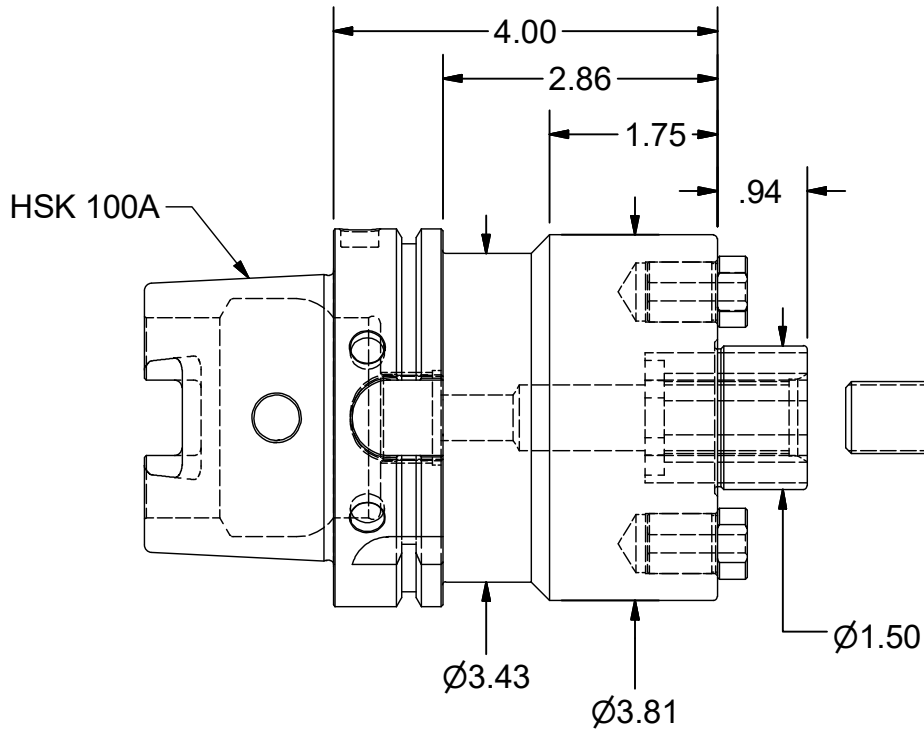
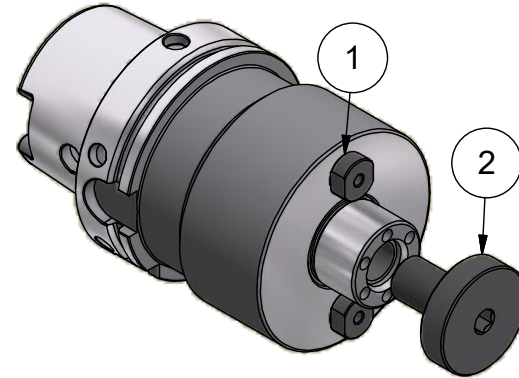
THIS DRAWING IS FOR CUSTOMER APPROVAL ONLY

RETURN FAX: 1-800-866-5917

PLEASE NOTE: 1) PARLEC WARRANTS ALL STANDARD TOOLING AND/OR COMPONENTS. ON ALL SPECIAL CUSTOMER DEFINED TOOLS AND COMPONENTS, PARLEC WARRANTS ONLY THE ACCURACY OF THE SPECIFICATIONS NOTED ON THE APPROVAL DOCUMENT. THE FUNCTIONALITY OF CUSTOMER DEFINED COMPONENTS (SPECIALS) ARE SOLELY THE RESPONSIBILITY OF THE CUSTOMER. 2) PRICING & DELIVERY IS BASED ON THIS CONCEPT. ANY CUSTOMER CHANGES DURING THE APPROVAL PROCESS MAY RESULT IN CHANGES TO PRICE AND LEAD-TIMES.

SIGNATURE _____

DATE _____



PART NUMBER

H100A-15SM400C

PARLEC
 (800) TOOL USA
 WORLD HEADQUARTERS
 101 PERINTON PARKWAY
 FAIRPORT, NEW YORK 14450

